

US00D664412S

(12) **United States Design Patent**
Aglassinger

(10) **Patent No.:** **US D664,412 S**

(45) **Date of Patent:** **** Jul. 31, 2012**

(54) **JIGSAW**

(75) **Inventor:** **Hans-Peter Aglassinger**, Aglassinger
(DE)

(73) **Assignee:** **Robert Bosch GmbH**, Stuttgart (DE)

(**) **Term:** **14 Years**

(21) **Appl. No.:** **29/376,438**

(22) **Filed:** **Oct. 7, 2010**

(30) **Foreign Application Priority Data**

Jun. 15, 2010 (EM) 001719733

(51) **LOC (9) Cl.** **08-03**

(52) **U.S. Cl.** **D8/64**

(58) **Field of Classification Search** D8/69,
D8/68, 67, 66, 64, 61; 83/747, 699.21; 310/50;
30/394, 393, 392, 391, 390, 377, 376; 173/216,
173/217

See application file for complete search history.

(56) **References Cited**

U.S. PATENT DOCUMENTS

D410,183 S * 5/1999 Thomson D8/69
D426,124 S * 6/2000 Kassalen et al. D8/64

D446,703 S * 8/2001 Netzler D8/64
D454,476 S * 3/2002 Bruno D8/64
D462,591 S * 9/2002 Gist D8/64
D475,264 S * 6/2003 Kondo et al. D8/64
D559,642 S * 1/2008 Taniguchi et al. D8/64
D560,989 S * 2/2008 Yamamoto et al. D8/64
D562,096 S * 2/2008 Taniguchi et al. D8/64

* cited by examiner

Primary Examiner — Austin Murphy

(74) *Attorney, Agent, or Firm* — Maginot, Moore & Beck

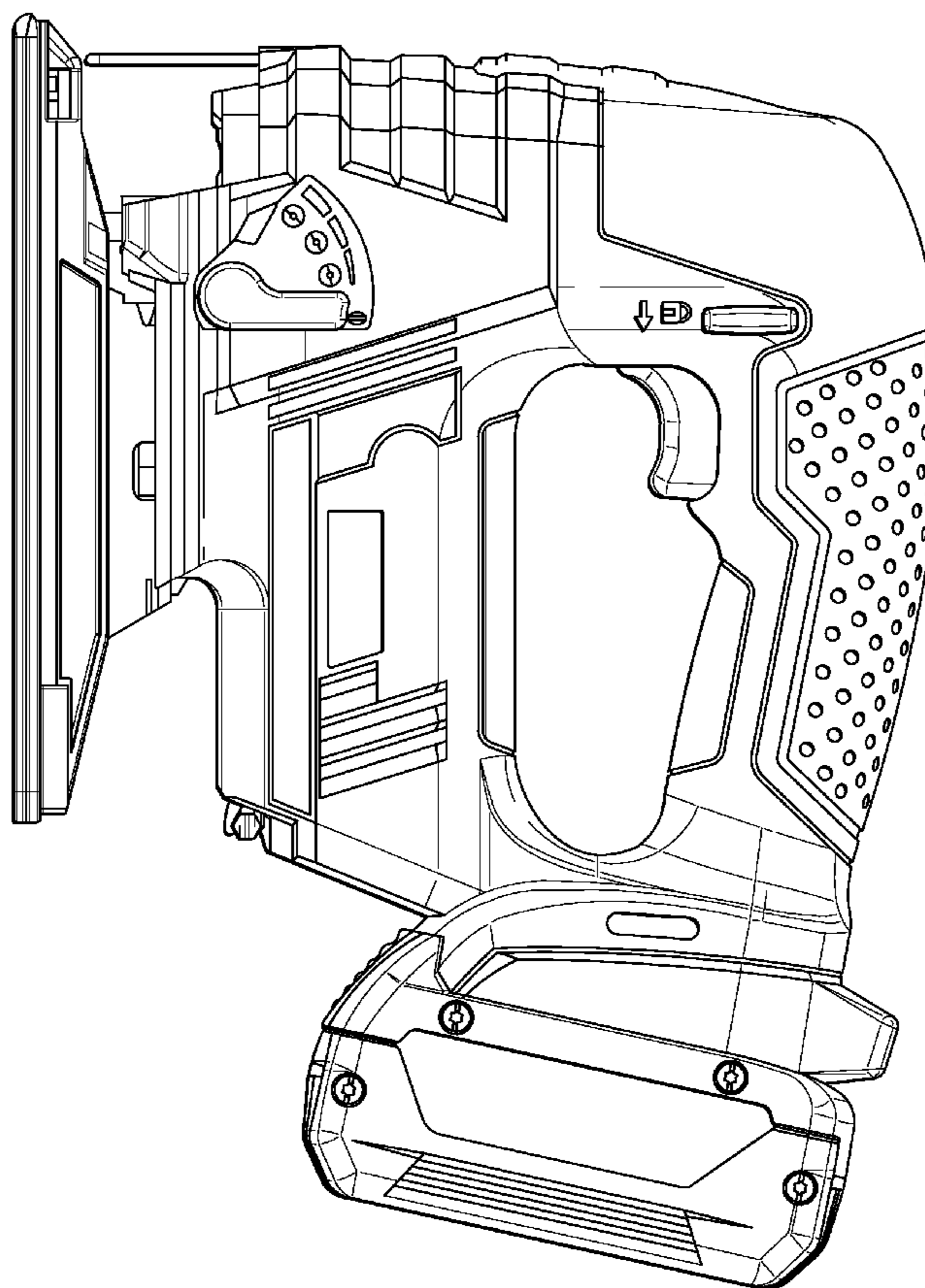
(57) **CLAIM**

The ornamental design for the jigsaw, as shown and described.

DESCRIPTION

FIG. 1 is a front right perspective view of the jigsaw;
FIG. 2 is a right elevational view thereof;
FIG. 3 is a left elevational view thereof;
FIG. 4 is a front elevational thereof;
FIG. 5 is a rear elevational view thereof;
FIG. 6 is a top plan view thereof; and,
FIG. 7 is a bottom plan view thereof.
The broken lines shown in FIG. 5 represent portions of the
jigsaw that form no part of the claimed design.

1 Claim, 7 Drawing Sheets



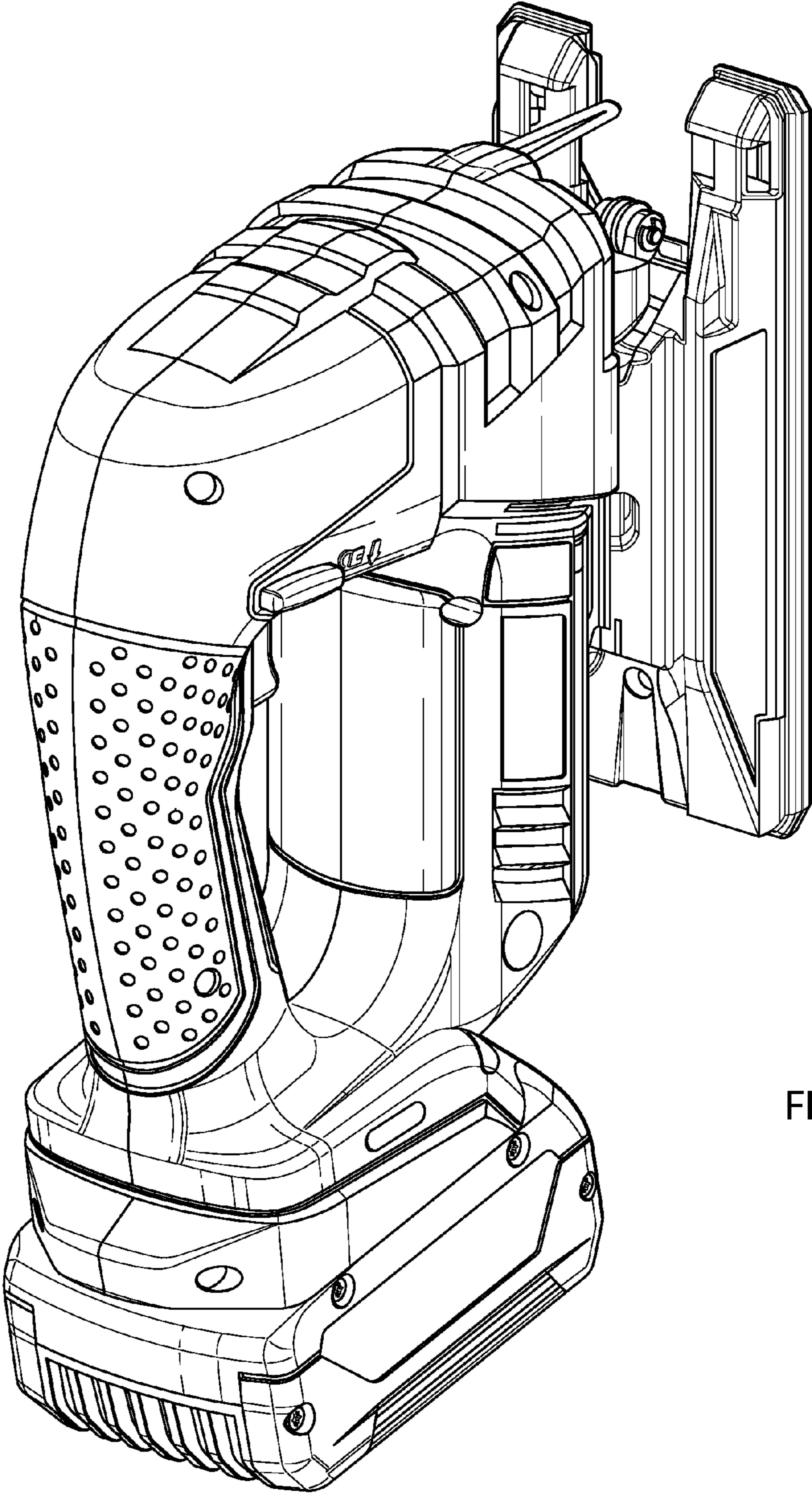


FIG. 1

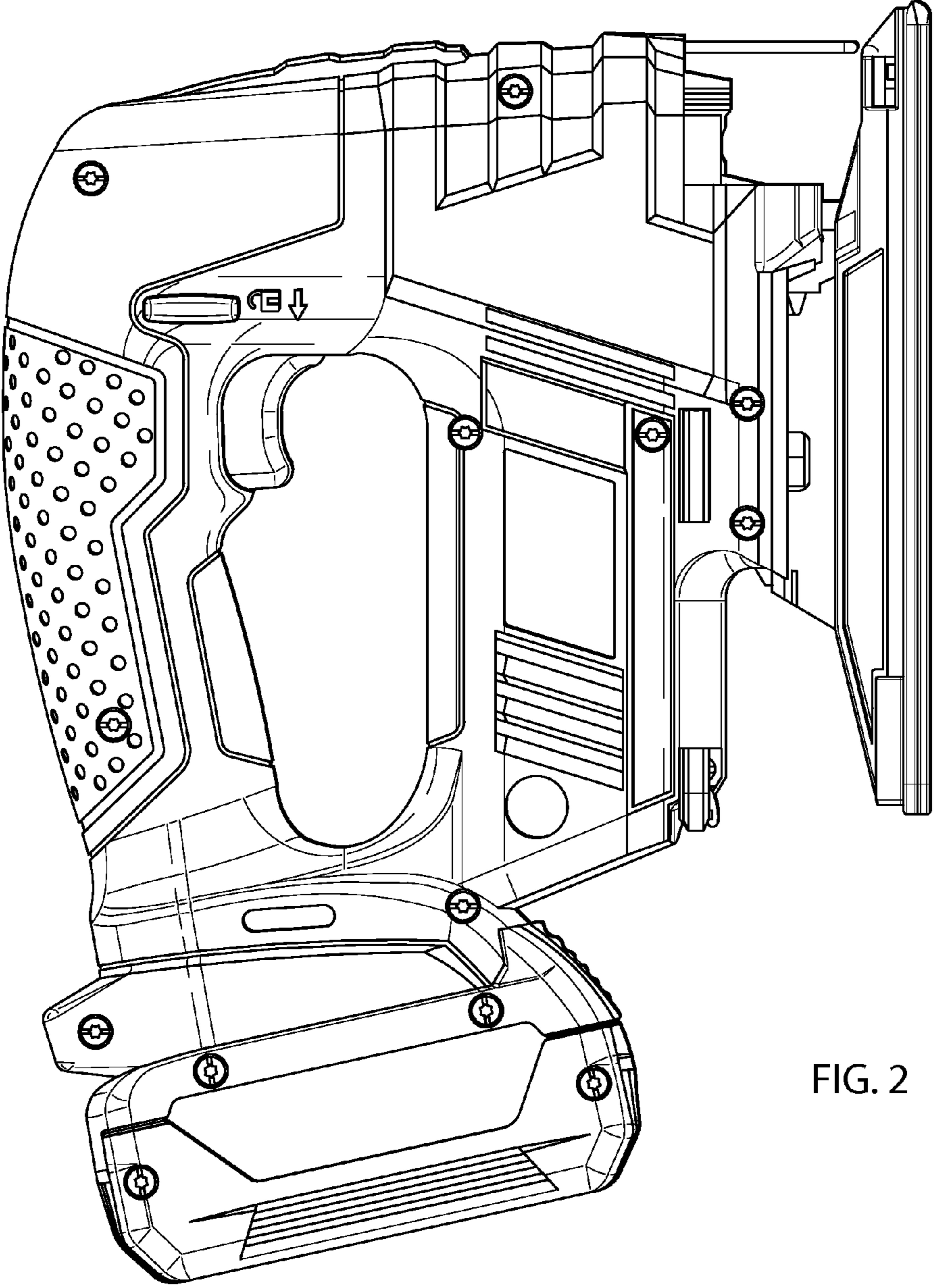


FIG. 2

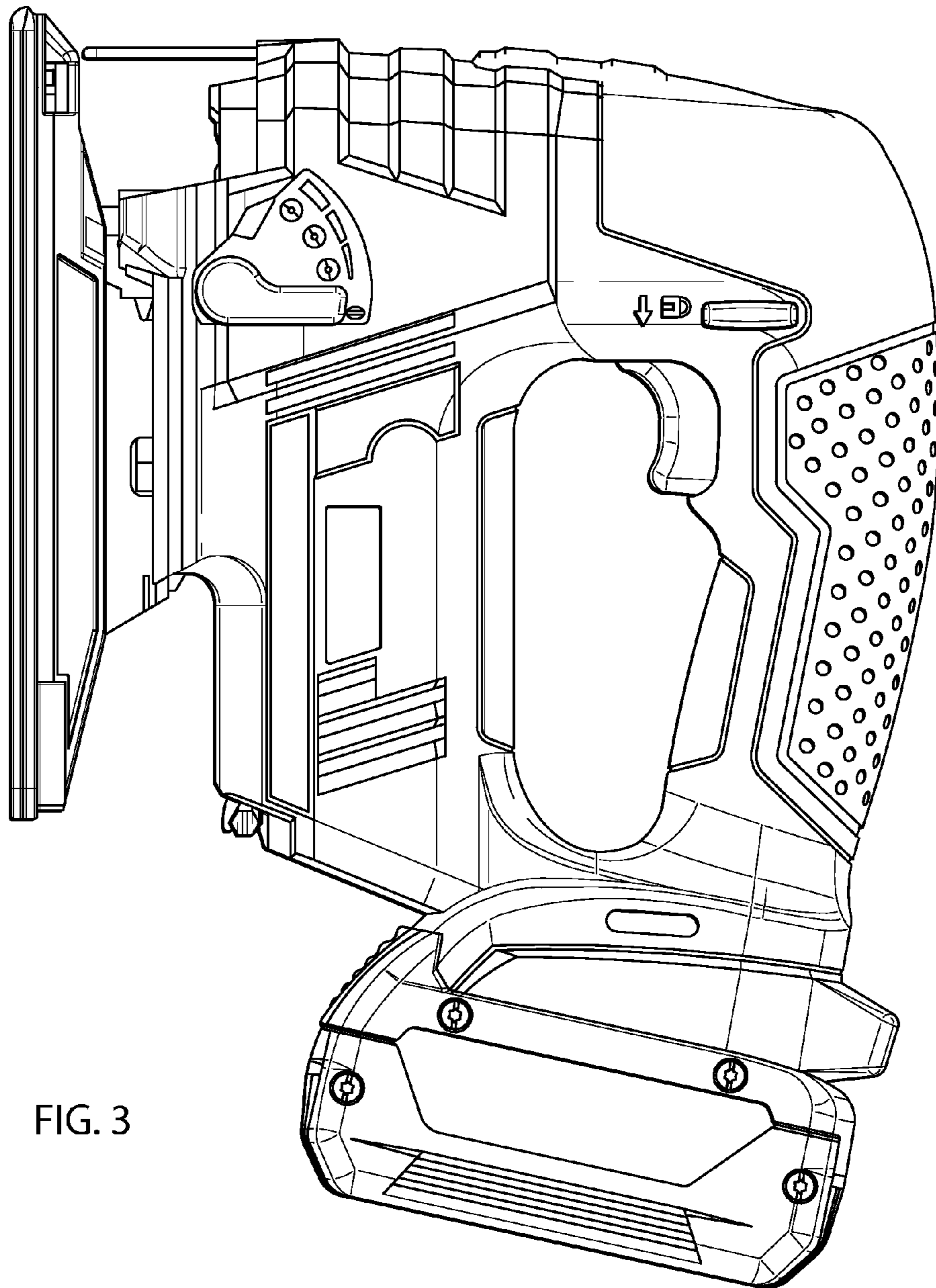


FIG. 3

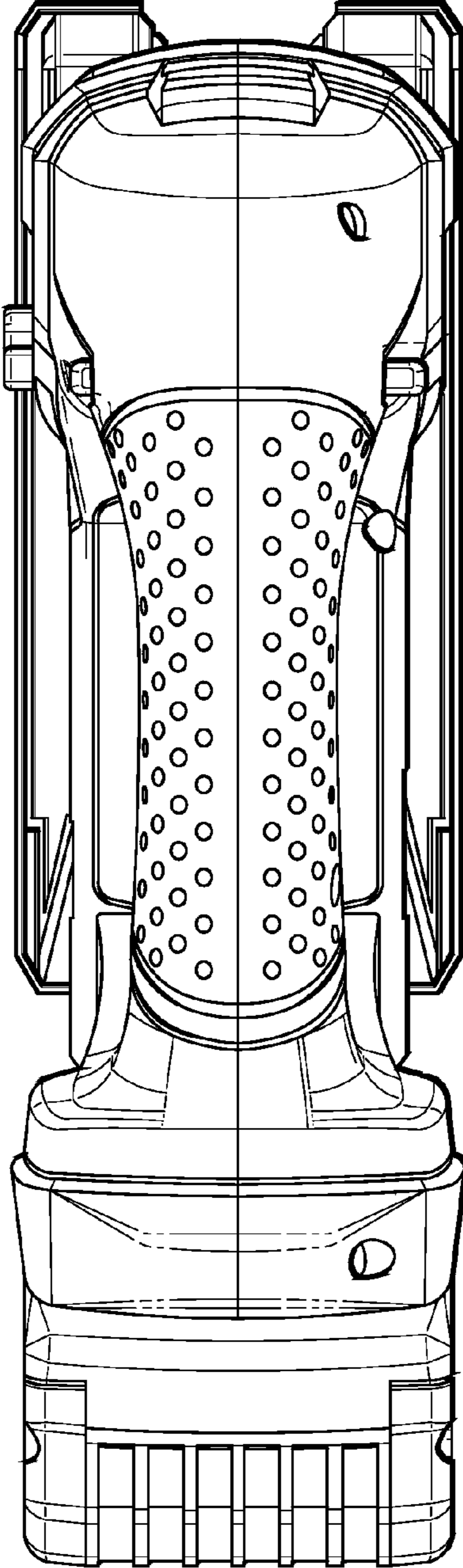


FIG. 4

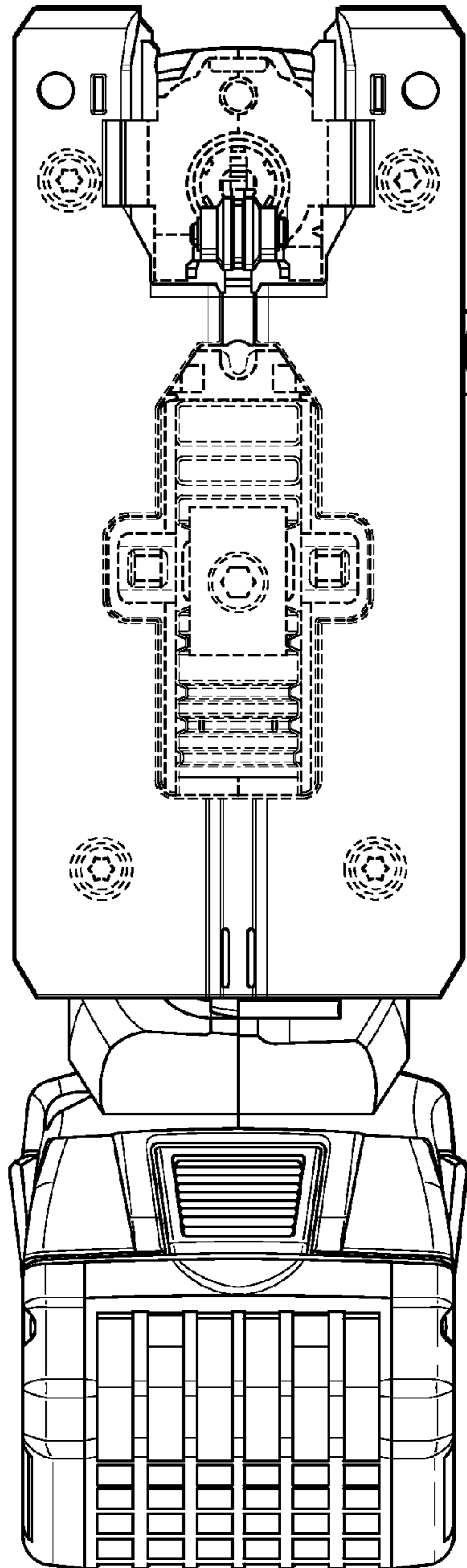


FIG. 5

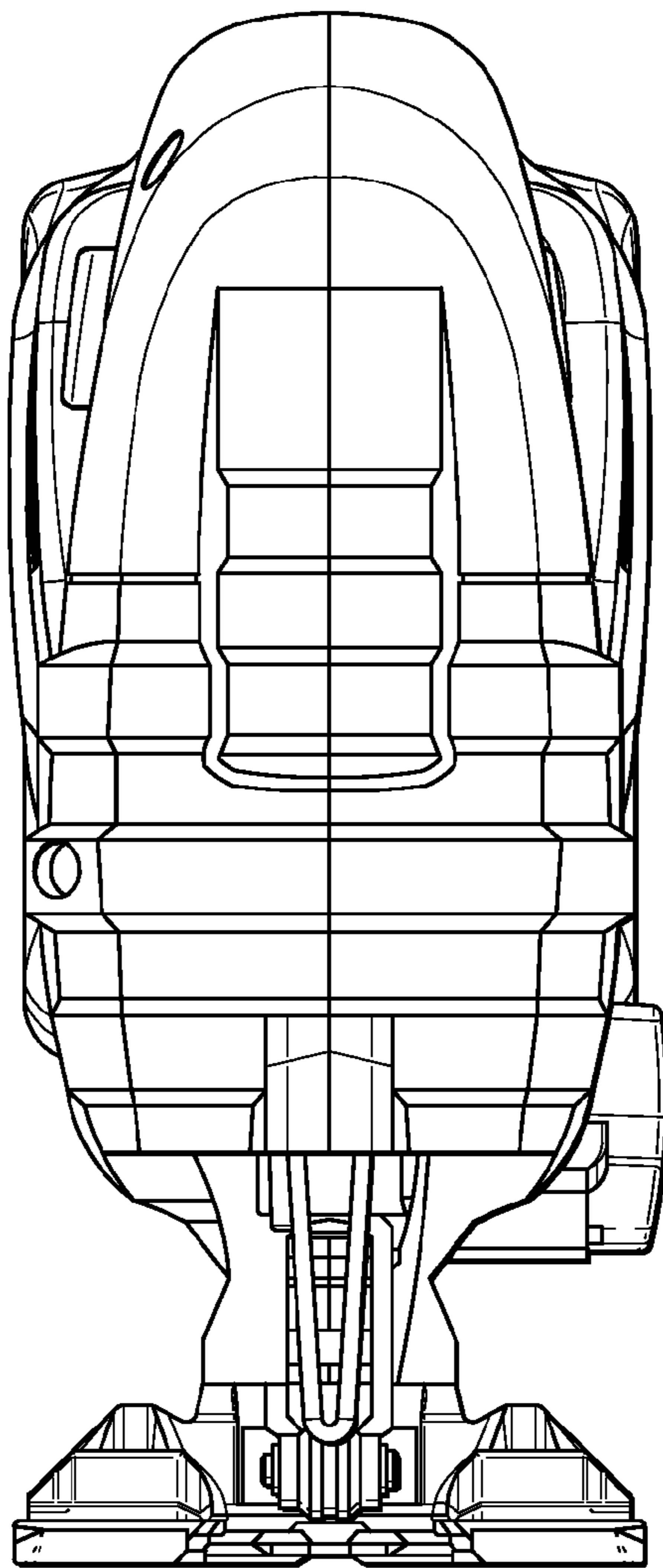


FIG. 6

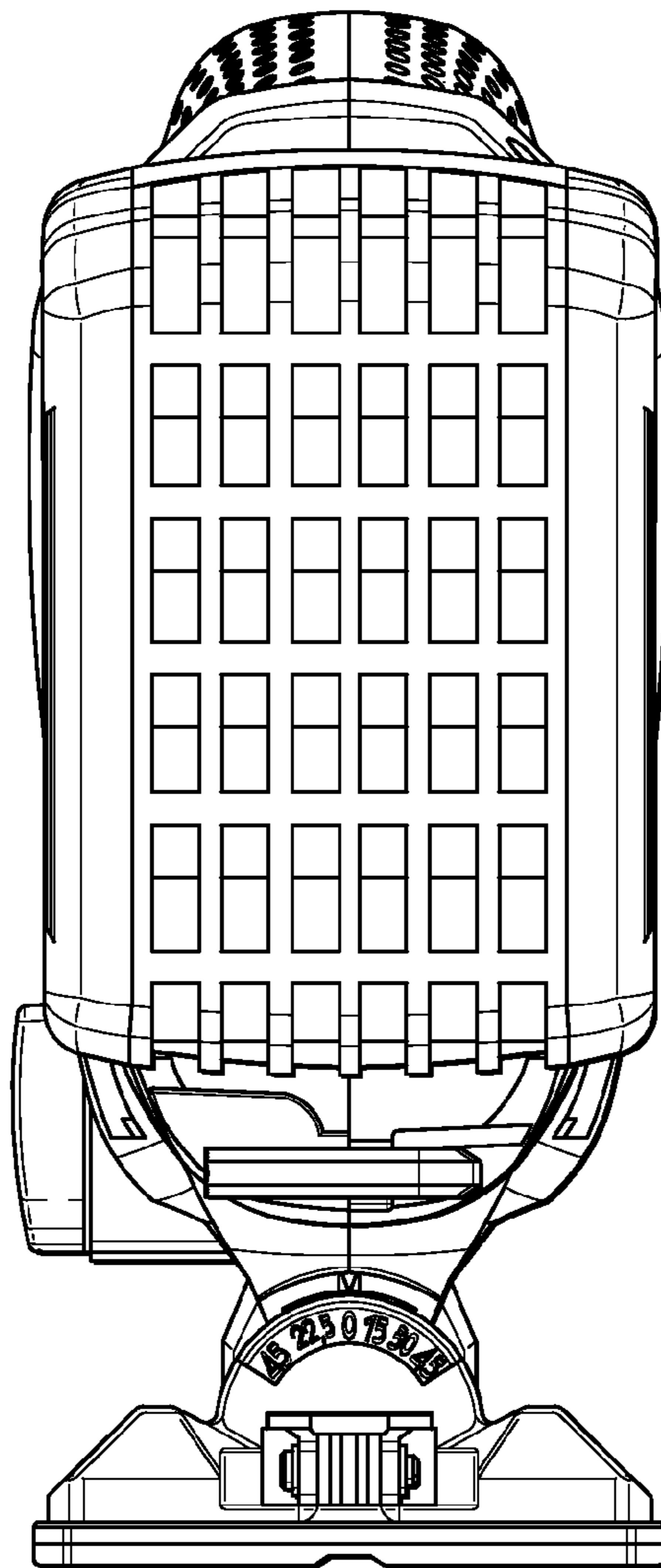


FIG. 7