



US00D664411S

(12) **United States Design Patent**  
**Aglassinger**

(10) **Patent No.:** **US D664,411 S**

(45) **Date of Patent:** **\*\* Jul. 31, 2012**

(54) **SANDER**

(75) Inventor: **Hans-Peter Aglassinger**, Esslingen (DE)

(73) Assignee: **Robert Bosch GmbH**, Stuttgart (DE)

(\*\*) Term: **14 Years**

(21) Appl. No.: **29/402,598**

(22) Filed: **Sep. 24, 2011**

(30) **Foreign Application Priority Data**

Mar. 24, 2011 (EM) ..... 001840794

(51) **LOC (9) Cl.** ..... **08-01**

(52) **U.S. Cl.** ..... **D8/62**

(58) **Field of Classification Search** ..... D8/67,  
D8/62, 61, 70; D32/15, 17, 19; D4/102;  
451/456, 451, 359, 358, 357, 356, 355, 364,  
451/344; 144/154.5, 373; 30/475  
See application file for complete search history.

(56) **References Cited**

**U.S. PATENT DOCUMENTS**

D326,398	S	*	5/1992	Fushiya et al.	.....	D8/62
D376,304	S	*	12/1996	Clowers et al.	.....	D8/62
D448,262	S	*	9/2001	Heun	.....	D8/62
D468,178	S	*	1/2003	Wright et al.	.....	D8/62
D490,676	S	*	6/2004	Wright	.....	D8/62
D497,297	S	*	10/2004	Wacker et al.	.....	D8/62
D509,417	S	*	9/2005	Wikle et al.	.....	D8/62
D510,849	S	*	10/2005	Carlson et al.	.....	D8/62
D518,696	S	*	4/2006	Schoen	.....	D8/62
D527,594	S	*	9/2006	Wikle	.....	D8/62
D527,595	S	*	9/2006	Wikle	.....	D8/62
D528,886	S	*	9/2006	Heun	.....	D8/62

D536,942	S	*	2/2007	Cooper et al.	.....	D8/62
D548,556	S	*	8/2007	Stratford	.....	D8/62
D555,449	S	*	11/2007	Waldron	.....	D8/62
D558,017	S	*	12/2007	Cooper et al.	.....	D8/62
D559,640	S	*	1/2008	Kraus et al.	.....	D8/62
D566,503	S	*	4/2008	Leasure	.....	D8/62
D567,047	S	*	4/2008	Okuda et al.	.....	D8/62
D585,258	S	*	1/2009	Nojiri et al.	.....	D8/62
D636,243	S	*	4/2011	Liu et al.	.....	D8/62
2002/0031992	A1	*	3/2002	Clowers et al.	.....	451/357

\* cited by examiner

*Primary Examiner* — Austin Murphy

(74) *Attorney, Agent, or Firm* — Maginot, Moore & Beck

(57) **CLAIM**

The ornamental design for a sander, as shown and described.

**DESCRIPTION**

FIG. 1 is a perspective view of a sander showing my new design;

FIG. 2 is a front elevational view showing the design for the sander of FIG. 1;

FIG. 3 is a rear elevational view showing the design for the sander of FIG. 1;

FIG. 4 is right side elevational view showing the design for the sander of FIG. 1;

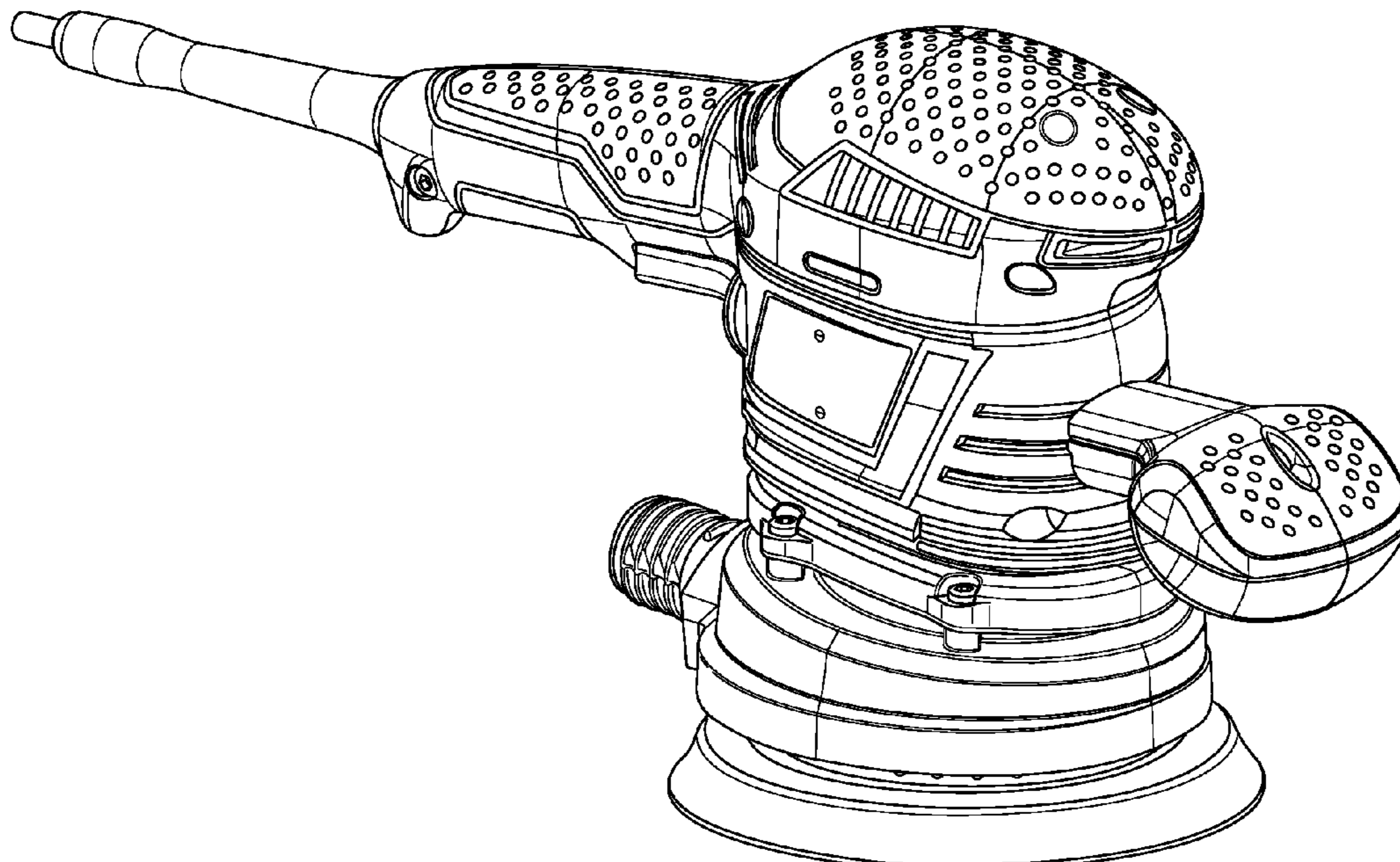
FIG. 5 is a left side elevational view showing the design for the sander of FIG. 1;

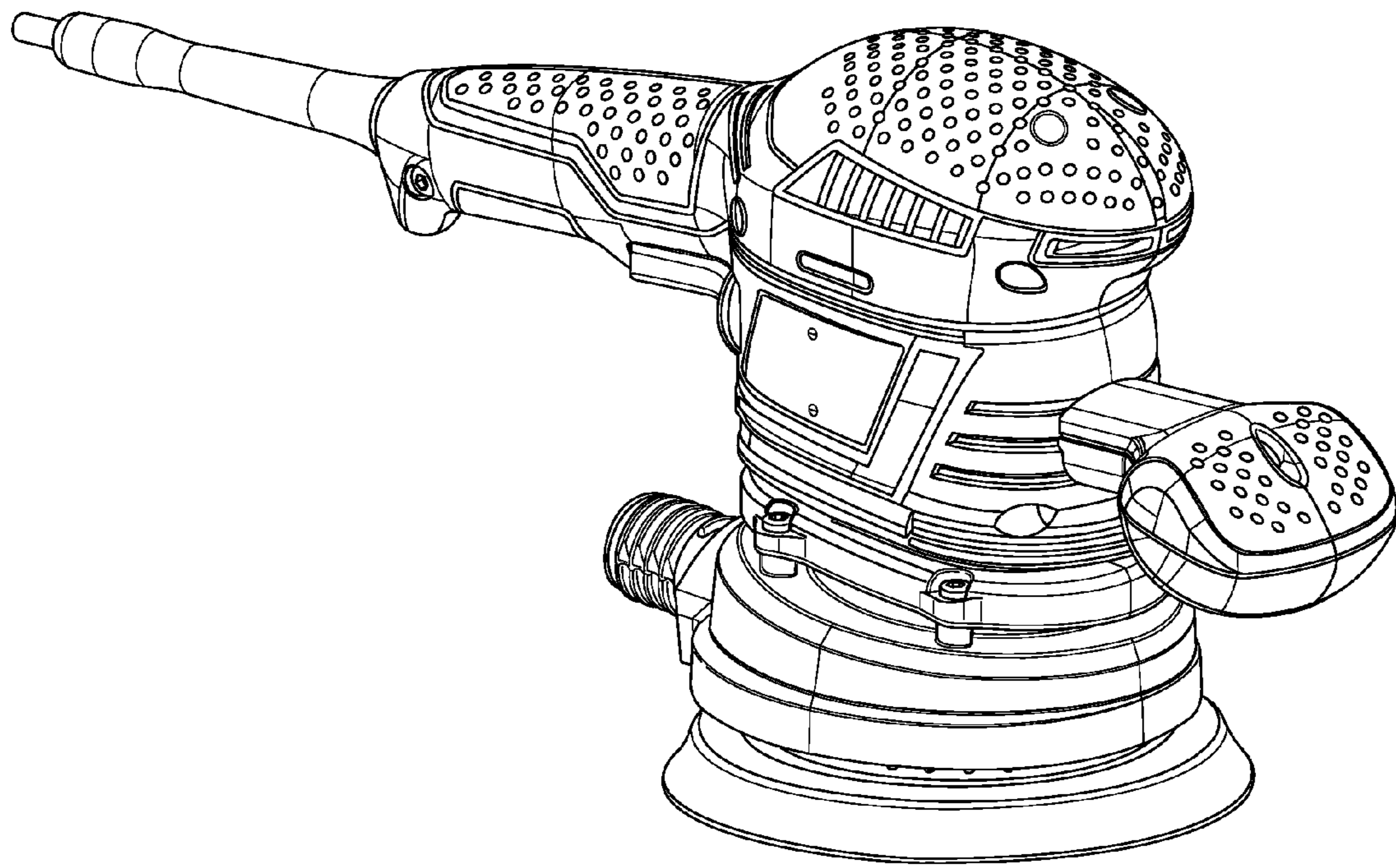
FIG. 6 is a top elevational view showing the design for the sander of FIG. 1; and,

FIG. 7 is a bottom elevational view showing the design for the sander of FIG. 1.

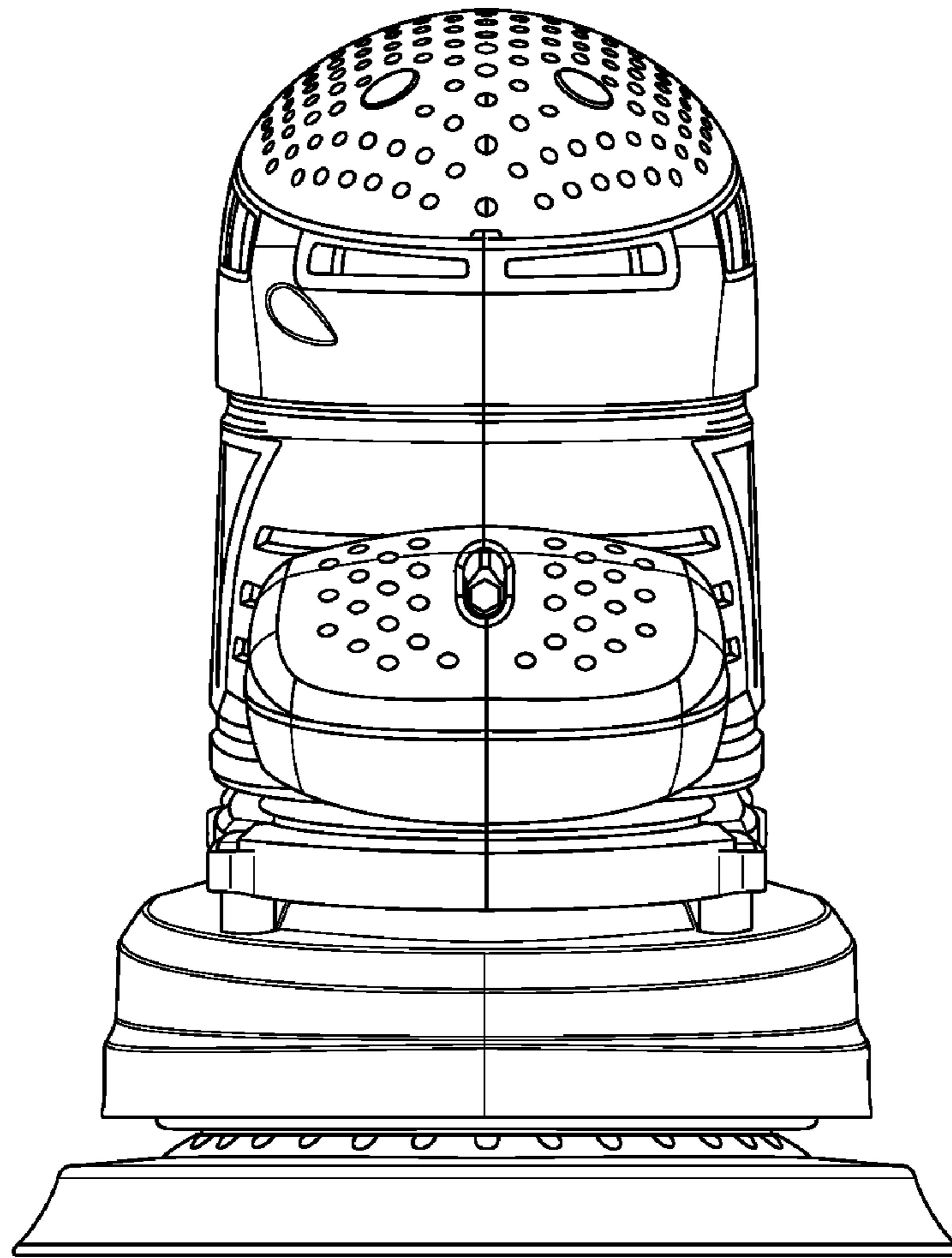
The broken lines shown FIG. 7 represent portions of the sander that form no part of the claimed design.

**1 Claim, 7 Drawing Sheets**

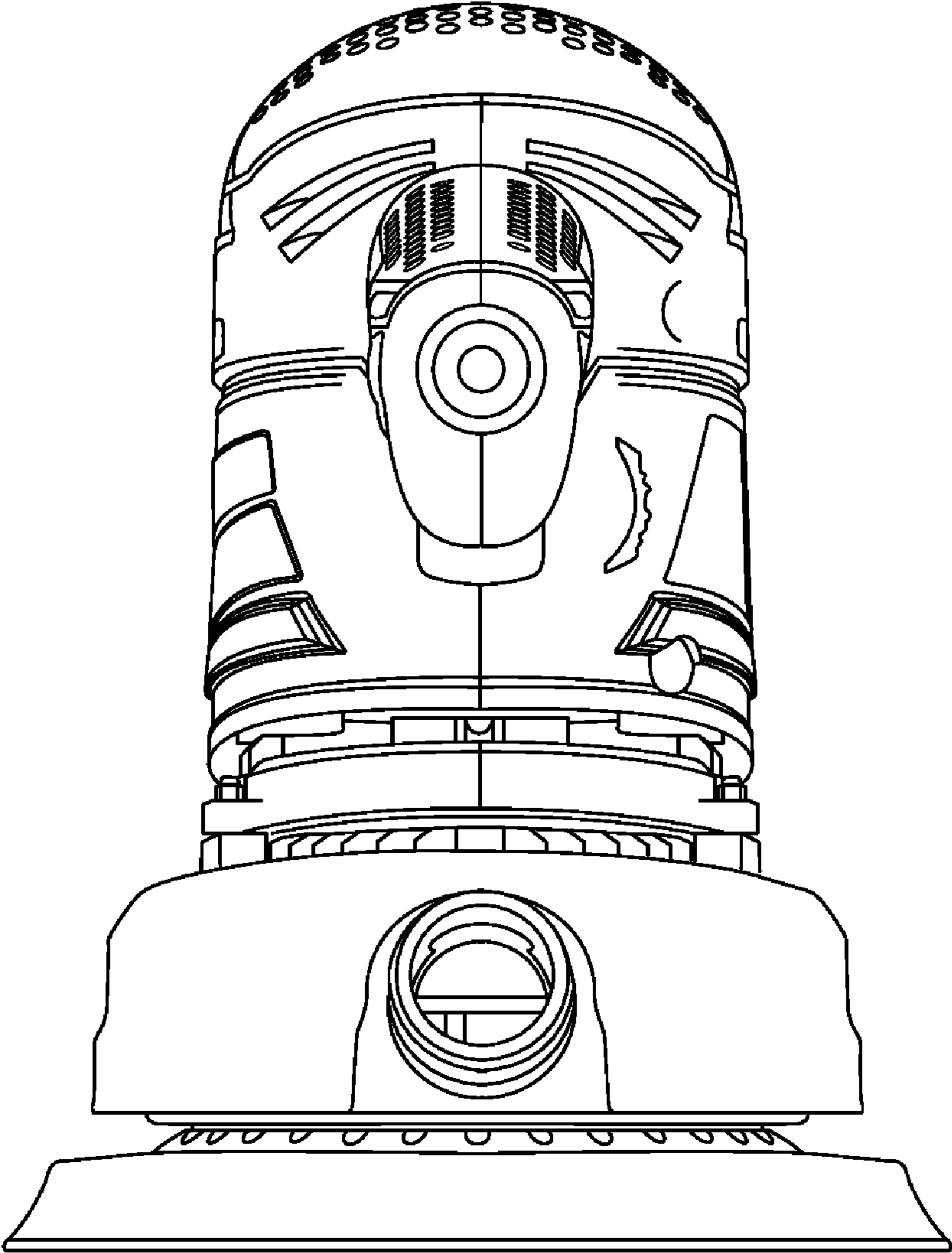




**FIG. 1**



**FIG. 2**



**FIG. 3**

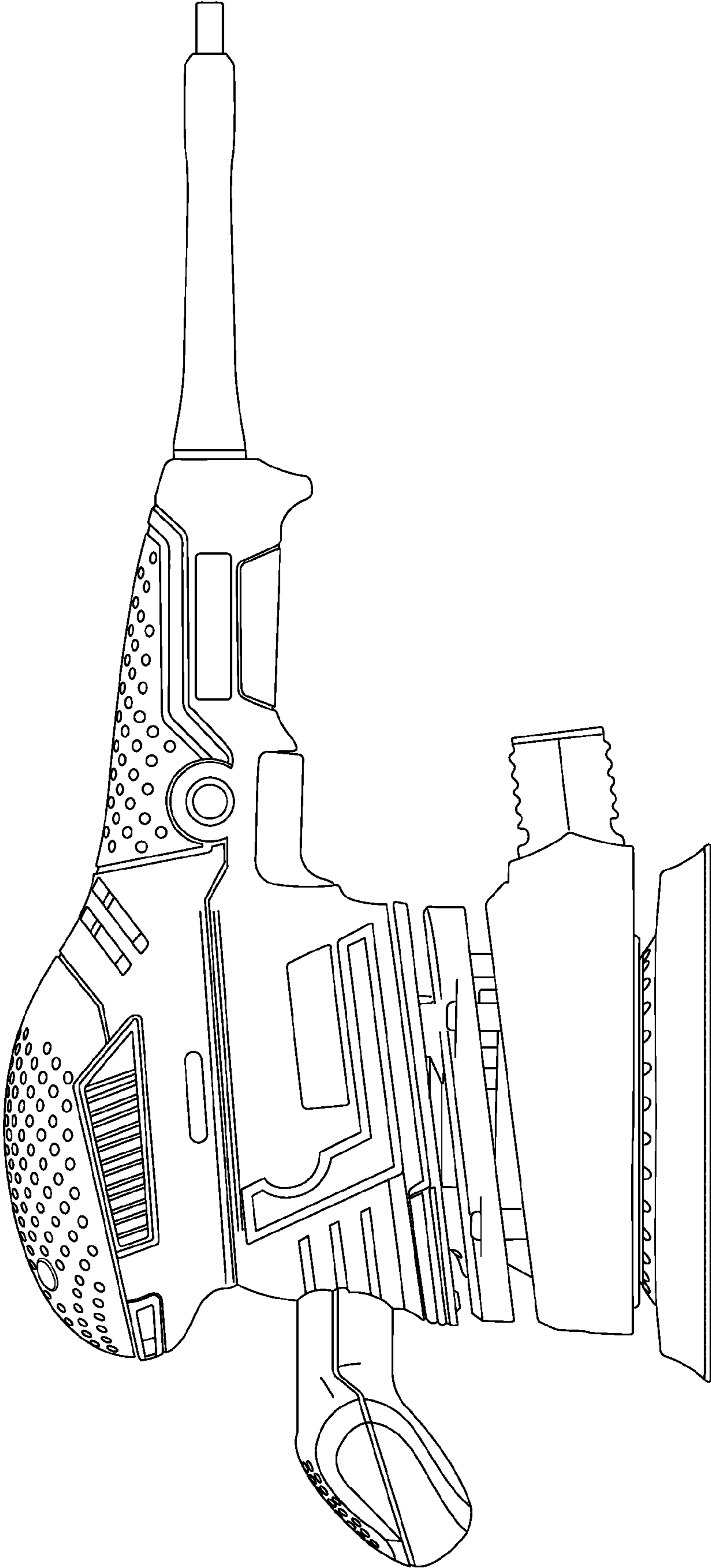


FIG. 4

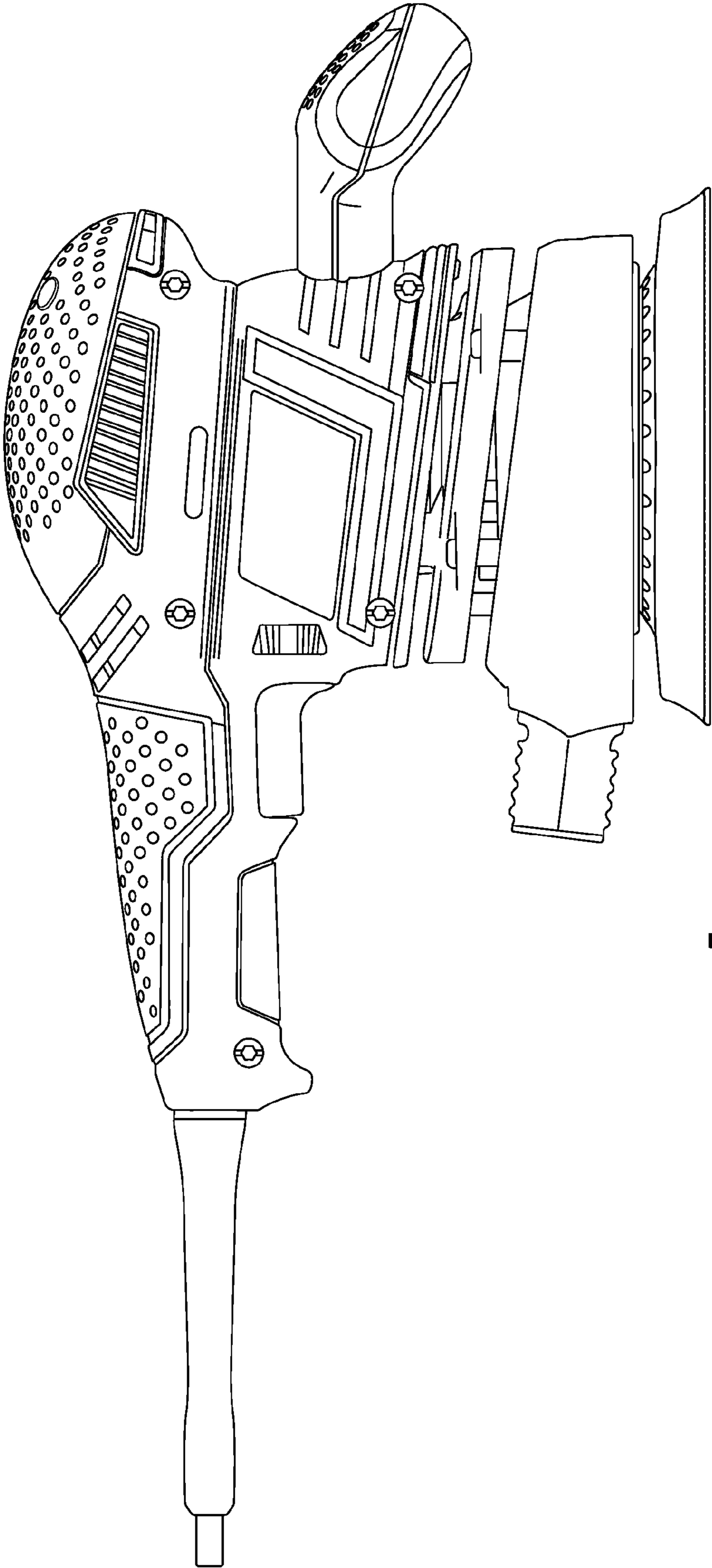


FIG. 5

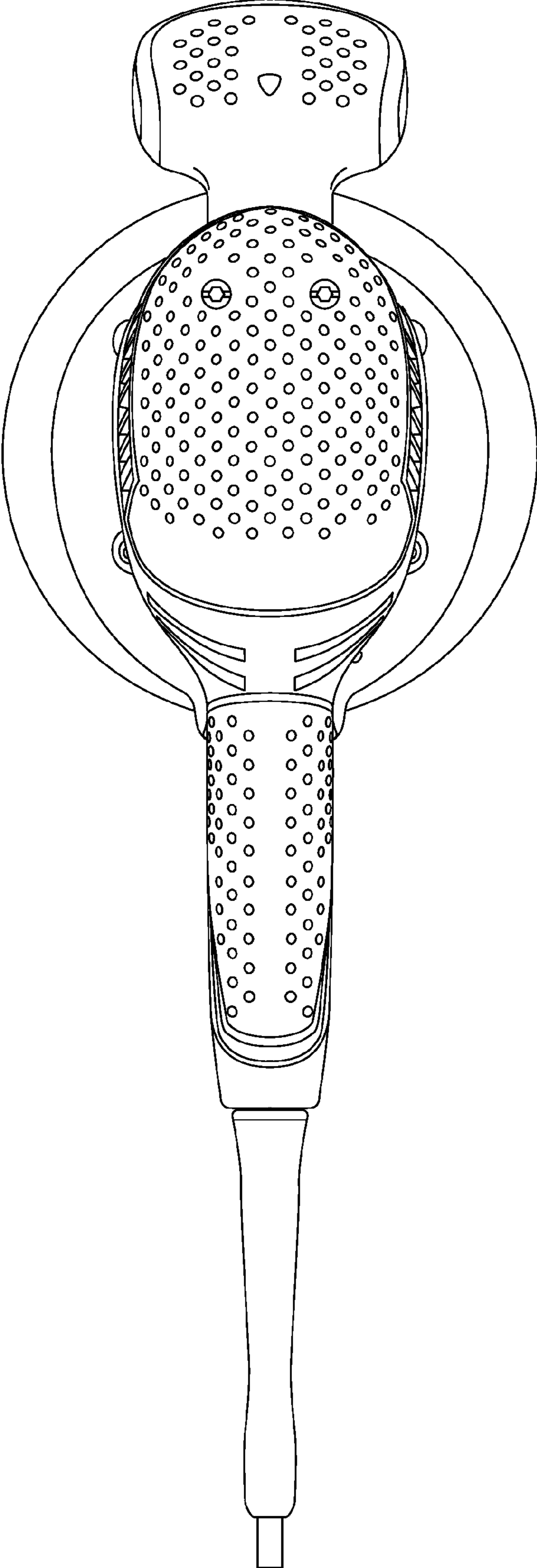


FIG. 6

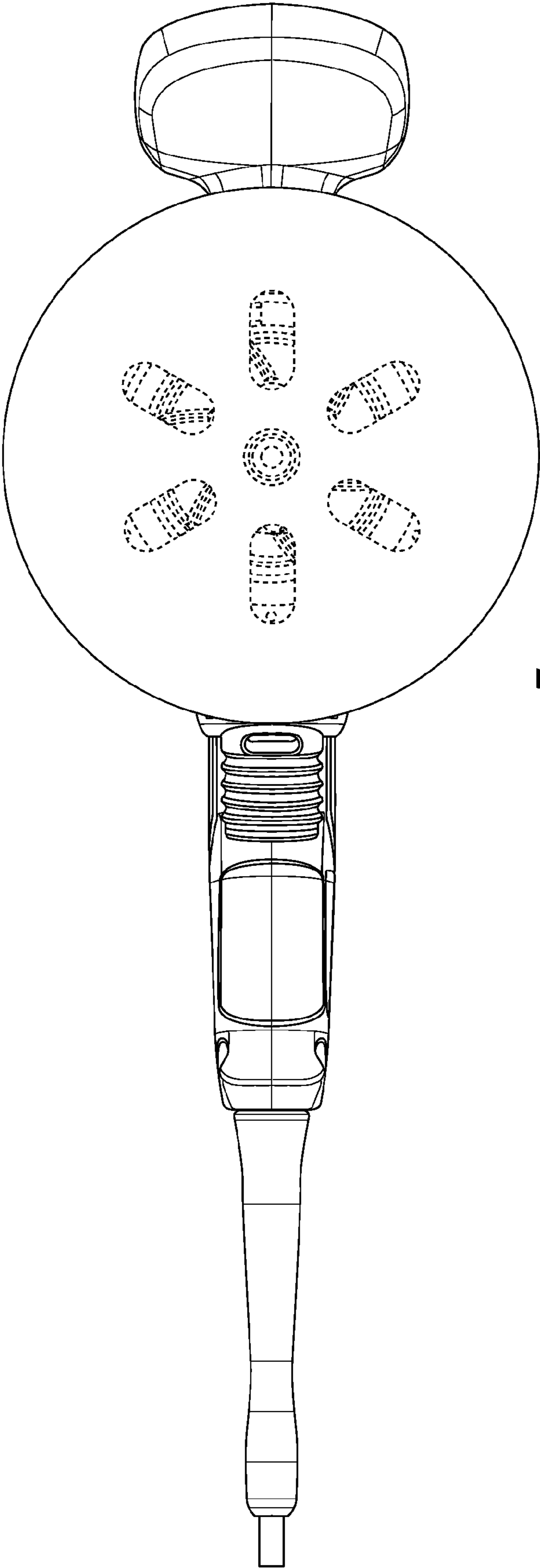


FIG. 7