



US00D664409S

(12) **United States Design Patent**
Philhower

(10) **Patent No.:** **US D664,409 S**
(45) **Date of Patent:** **** Jul. 31, 2012**

(54) **13/16-INCH-SPARK-PLUG SOCKET HOT ROD WRENCH**

(76) **Inventor:** **Rodney Lee Philhower**, Placentia, CA (US)

(**) **Term:** **14 Years**

(21) **Appl. No.:** **29/411,945**

(22) **Filed:** **Jan. 27, 2012**

(51) **LOC (9) Cl.** **08-05**

(52) **U.S. Cl.** **D8/28**

(58) **Field of Classification Search** D8/17,
D8/21-29, 97, 107; 81/60, 177.1, 177.85,
81/121.1, 124.3, 165-170, 110.1, 176.2,
81/124.6, 176.1, 176.15, 177.2, 186; 16/110.1;
D15/144.1; 219/75, 227, 229, 121.16, 121.18
See application file for complete search history.

(56) **References Cited**

U.S. PATENT DOCUMENTS

1,734,270	A *	11/1929	Olson	81/55
2,525,379	A *	10/1950	Smilansky	464/23
4,589,153	A *	5/1986	Paquette	7/169
5,141,034	A *	8/1992	Sowers et al.	140/119
5,323,672	A *	6/1994	Skiba	81/125

5,848,561	A *	12/1998	Hsieh	81/59.1
6,715,383	B1 *	4/2004	Hsien	81/119
7,047,845	B2 *	5/2006	Macor	81/177.1
7,878,092	B1 *	2/2011	Eby et al.	81/112
D650,645	S *	12/2011	Dosch et al.	D8/21
8,087,326	B2 *	1/2012	Nguyen et al.	81/59.1
2002/0026859	A1 *	3/2002	Suzuki	81/121.1

* cited by examiner

Primary Examiner — Raphael Barkai

Assistant Examiner — Randall H Gholson

(74) *Attorney, Agent, or Firm* — Loyal McKinley Hanson

(57) **CLAIM**

I claim the ornamental design for a 13/16-inch-spark-plug-socket hot rod wrench, as shown and described.

DESCRIPTION

FIG. 1 of the drawings is a perspective view showing the front, right side, and top of a 13/16-inch-spark-plug-socket hot rod wrench embodying the design of my invention; FIG. 2 is another perspective view showing the back, bottom, and left side of the hot rod wrench; FIG. 3 is a right side elevation view; and, FIG. 4 is a top plan view.

1 Claim, 1 Drawing Sheet

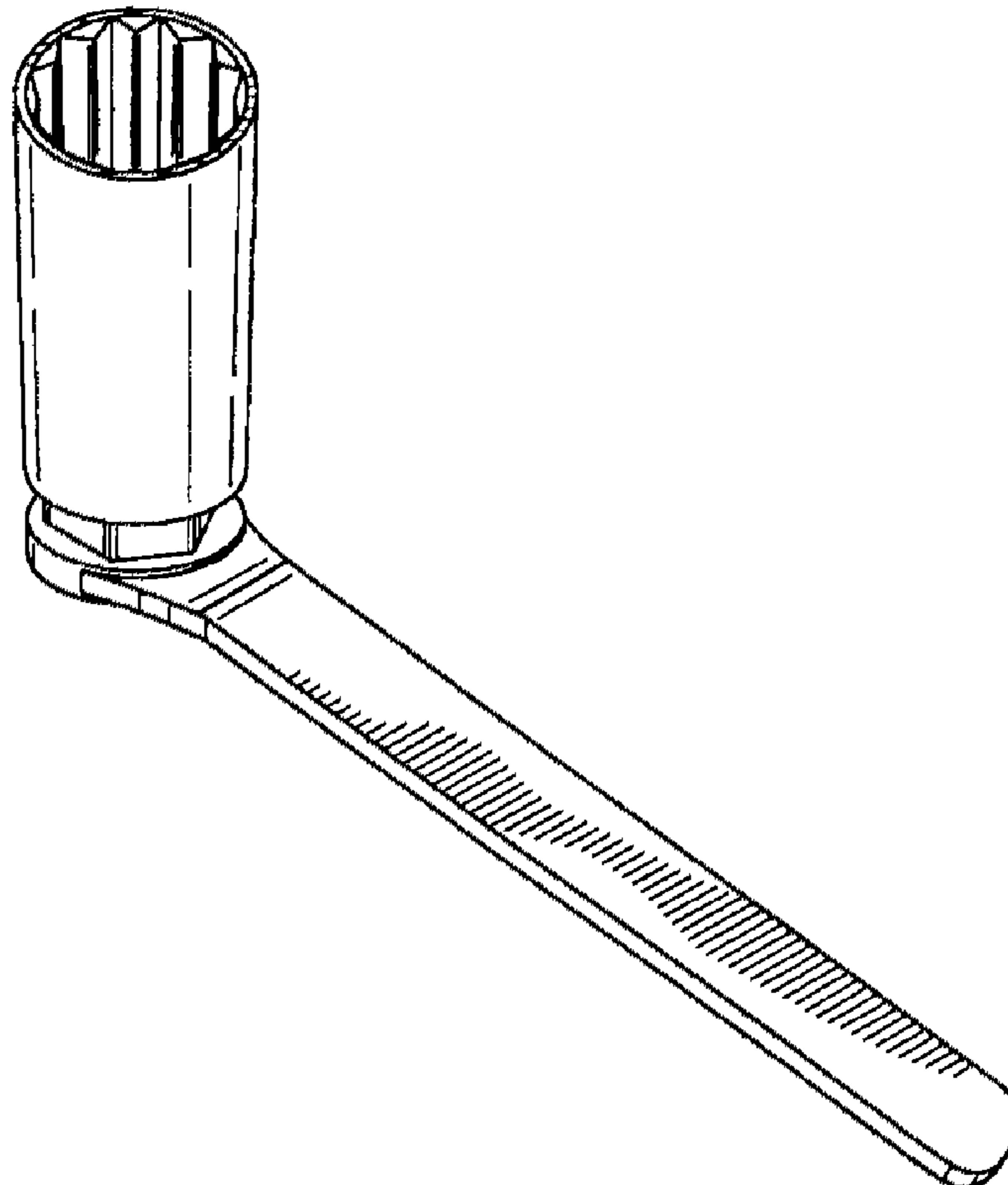


Fig. 1

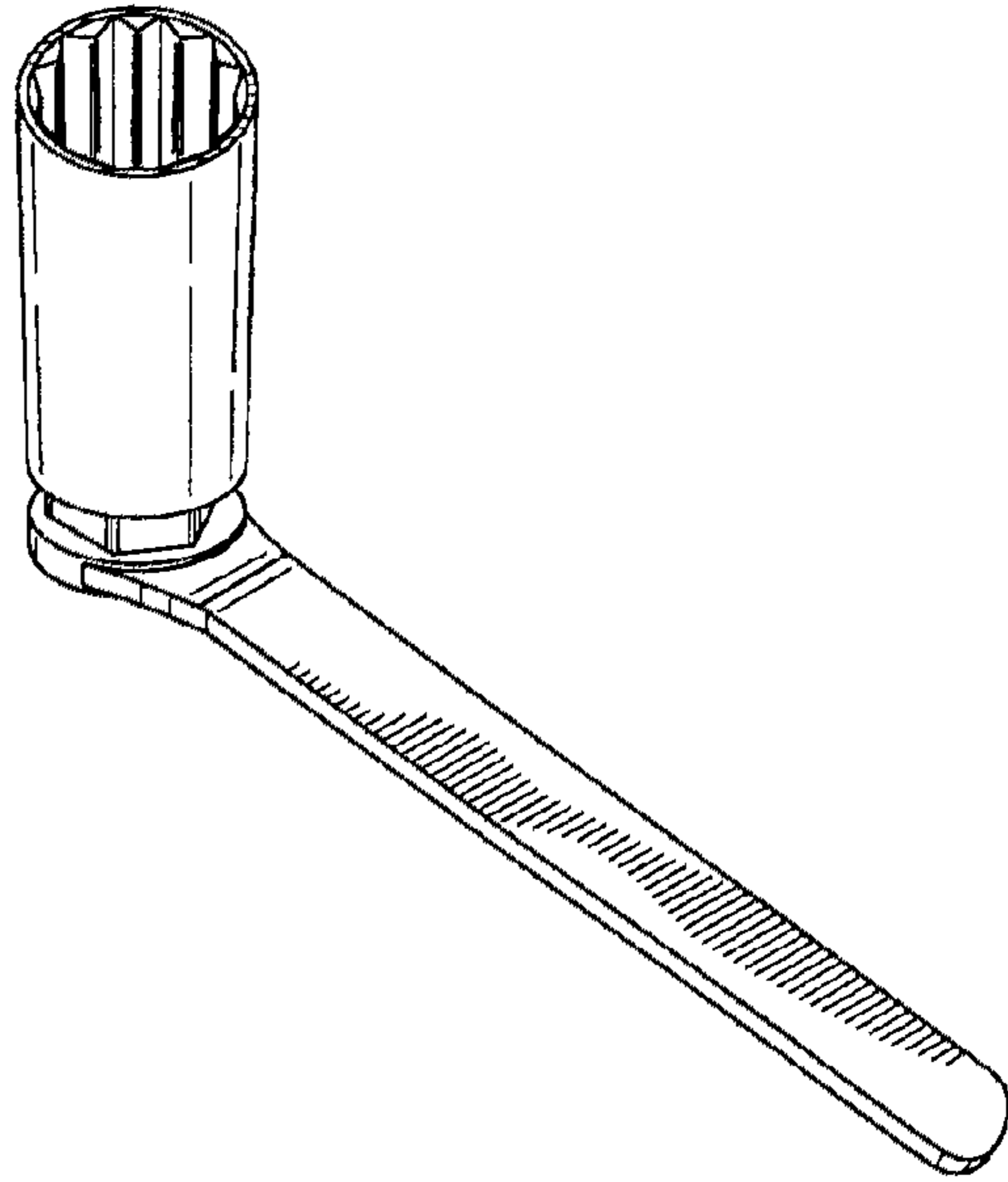


Fig. 2

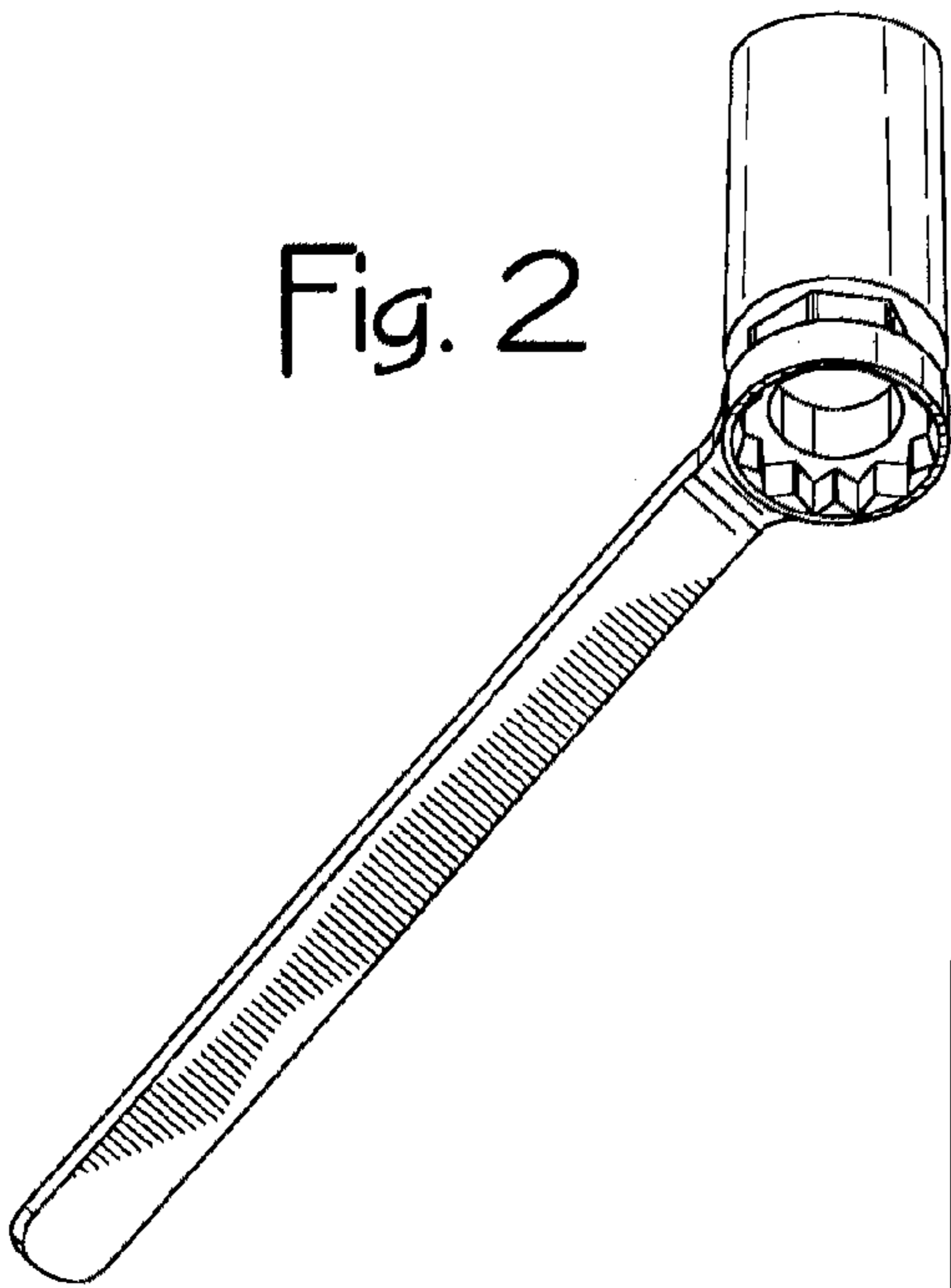


Fig. 3

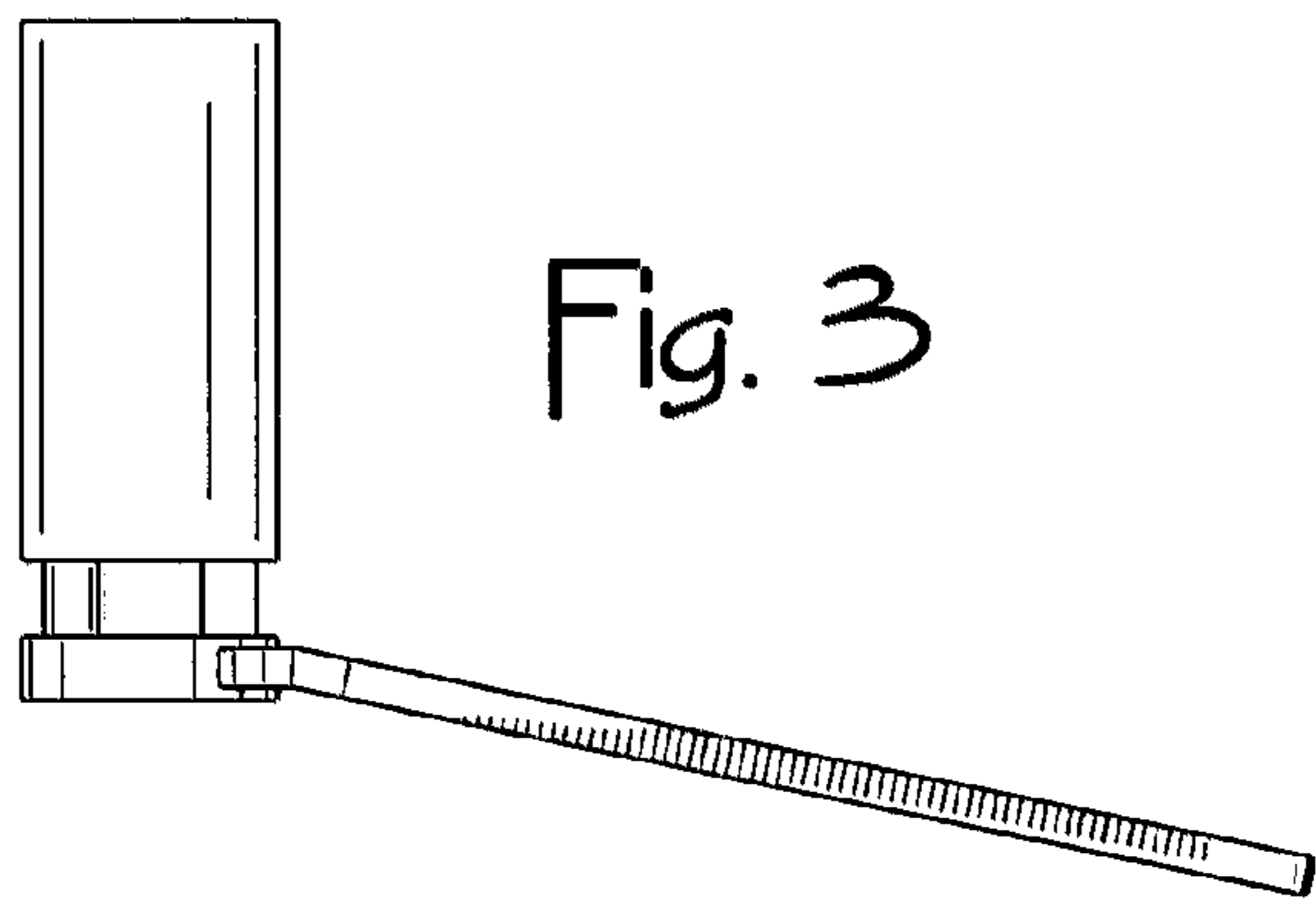


Fig. 4

