



US00D664408S

(12) **United States Design Patent**
Mitchell

(10) **Patent No.:** **US D664,408 S**

(45) **Date of Patent:** **** Jul. 31, 2012**

(54) **RATCHETING ALLEN WRENCH**
(76) Inventor: **Chace Mitchell**, Borger, TX (US)
(**) Term: **14 Years**
(21) Appl. No.: **29/408,884**

6,378,701 B1 * 4/2002 Kuo 206/378
D482,588 S * 11/2003 Lai D8/107
D517,634 S * 3/2006 Nunez et al. D21/789
D555,445 S * 11/2007 Strahorn D8/21
D586,634 S * 2/2009 Lai D8/21
D596,471 S * 7/2009 Huang D8/21
D613,139 S * 4/2010 Lai D8/21
2003/0188605 A1 * 10/2003 Chang 81/60

* cited by examiner

(22) Filed: **Dec. 17, 2011**
(51) **LOC (9) Cl.** **08-05**
(52) **U.S. Cl.** **D8/21**
(58) **Field of Classification Search** D8/17-29,
D8/105, 107, 52, 55; 81/119, 121.1, 86,
81/124.2, 125, 125.1, 176.1, 176.2, 177.1,
81/177.2, 177.3, 177.85, 124.3, 124.7, 176.3,
81/121.7, 436, 437, 165, 418, 166, 168, 169,
81/170, 179, 160, 3.57, 3.55, 58.4, 186, 58.3,
81/300, 58.1, 60; 16/422, 429; 140/119
See application file for complete search history.

Primary Examiner — Raphael Barkai
Assistant Examiner — Randall H Gholson

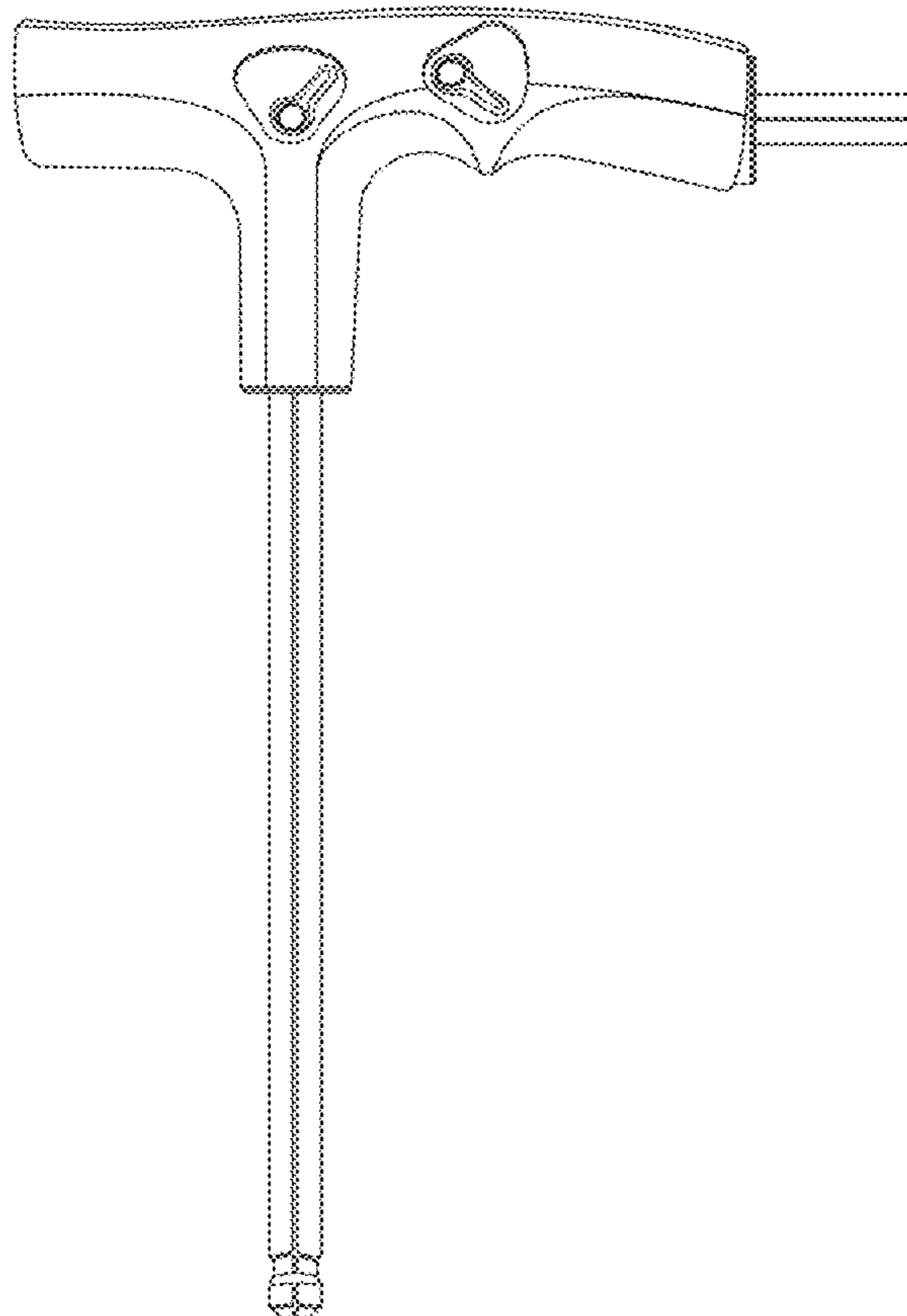
(57) **CLAIM**
I claim the ornamental design for a ratcheting allen wrench, as shown and described.

DESCRIPTION

FIG. 1 is a front view of a ratcheting allen wrench; and FIG. 2 is a back view of a ratcheting allen wrench; and FIG. 3 is a side view of a ratcheting allen wrench; and FIG. 4 is a side view of ratcheting allen wrench; and FIG. 5 is a top view of a ratcheting allen wrench; and, FIG. 6 is a bottom view of a ratcheting allen wrench.

(56) **References Cited**
U.S. PATENT DOCUMENTS
1,970,409 A * 8/1934 Wiedemann 81/30
D284,346 S * 6/1986 Masters D8/21
D422,145 S * 4/2000 Hsu D4/116

1 Claim, 6 Drawing Sheets



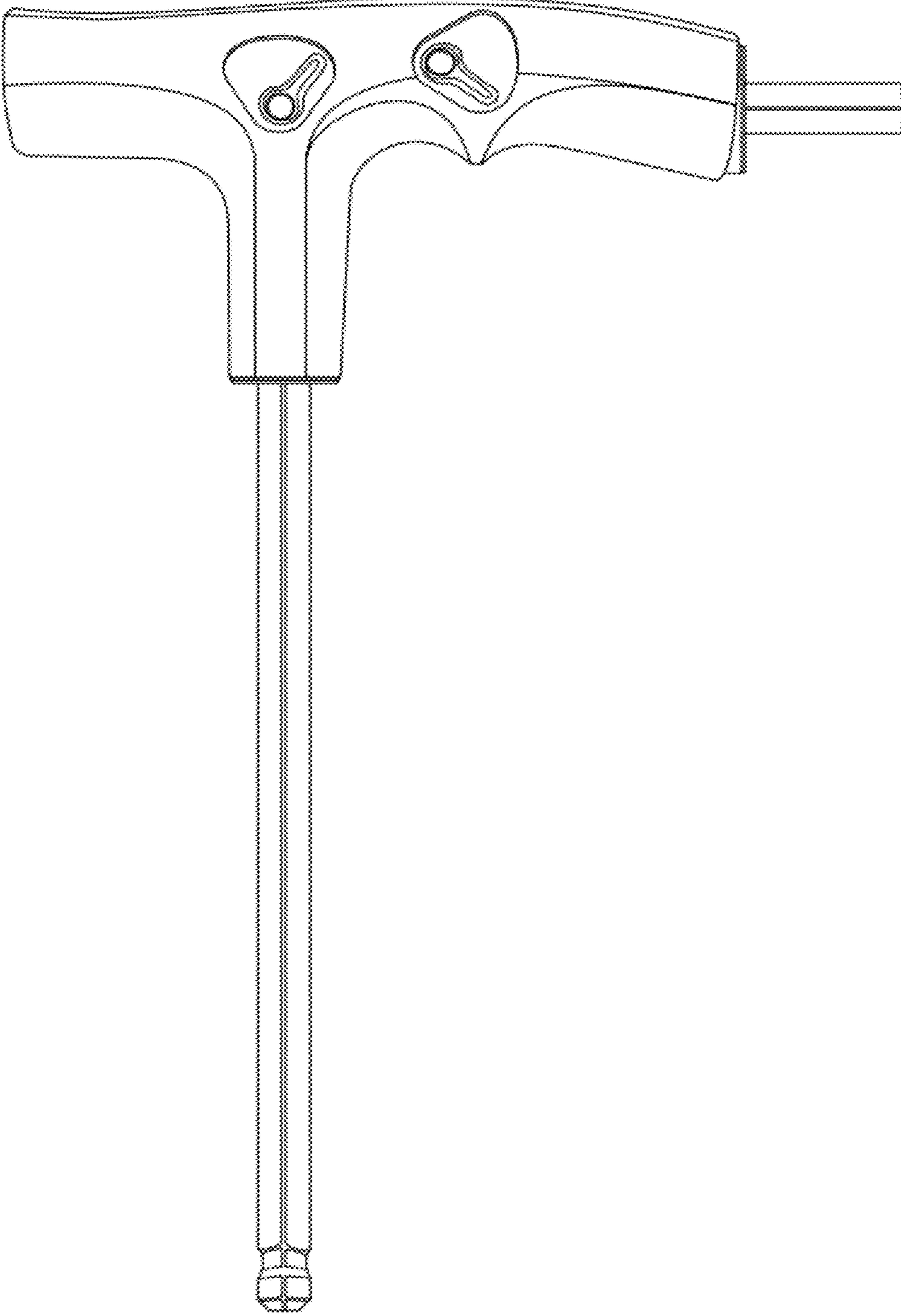


FIG. 1

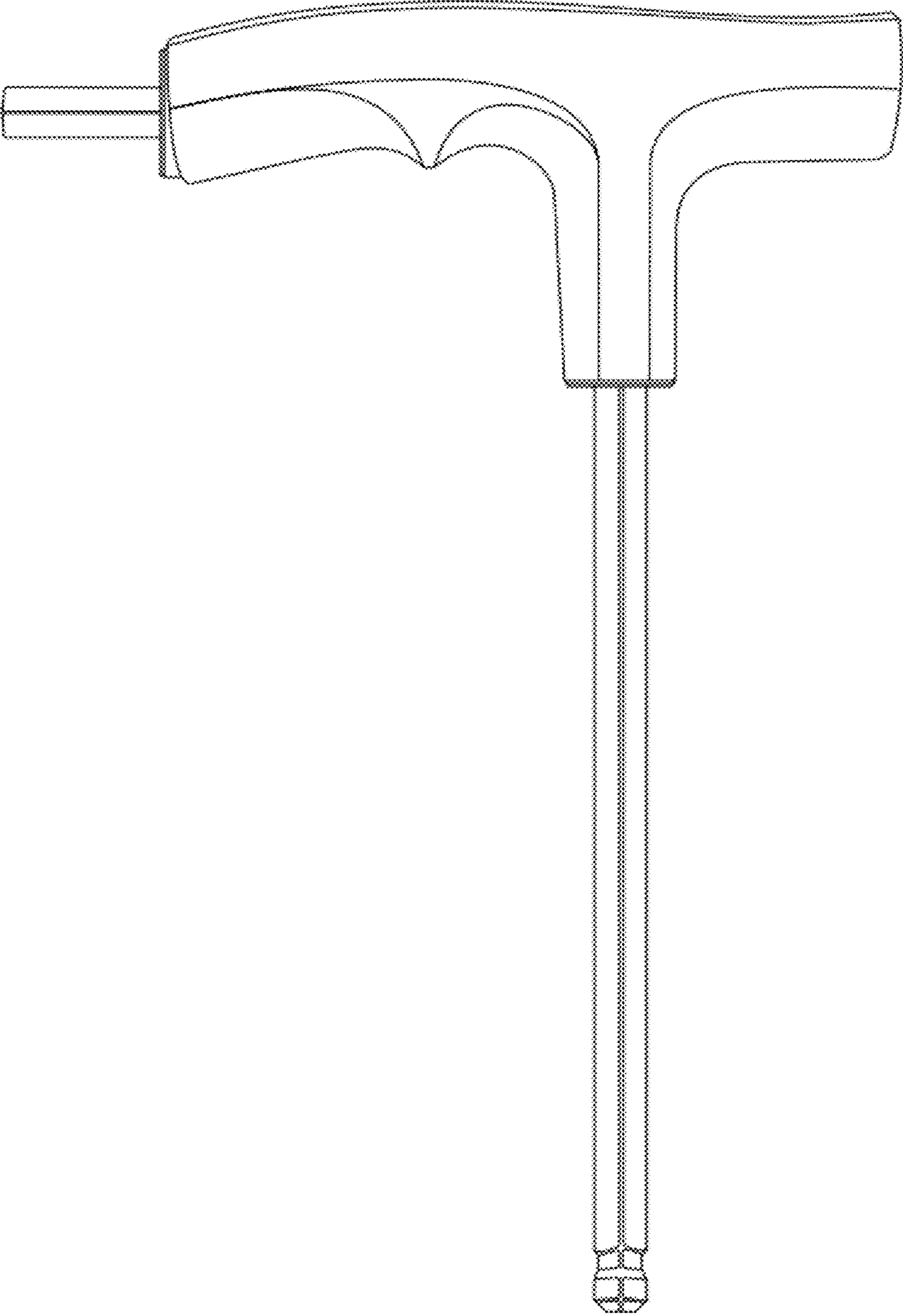


FIG. 2

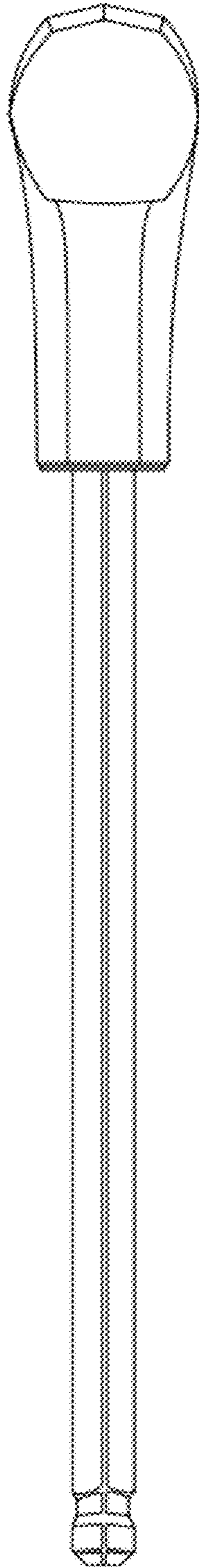


FIG. 3

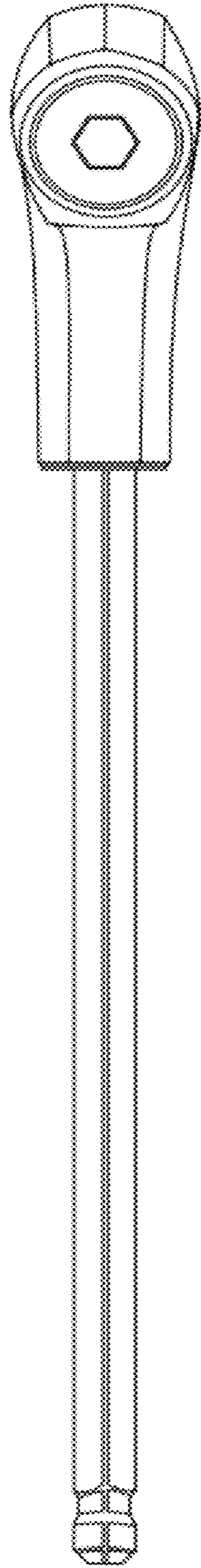


FIG. 4

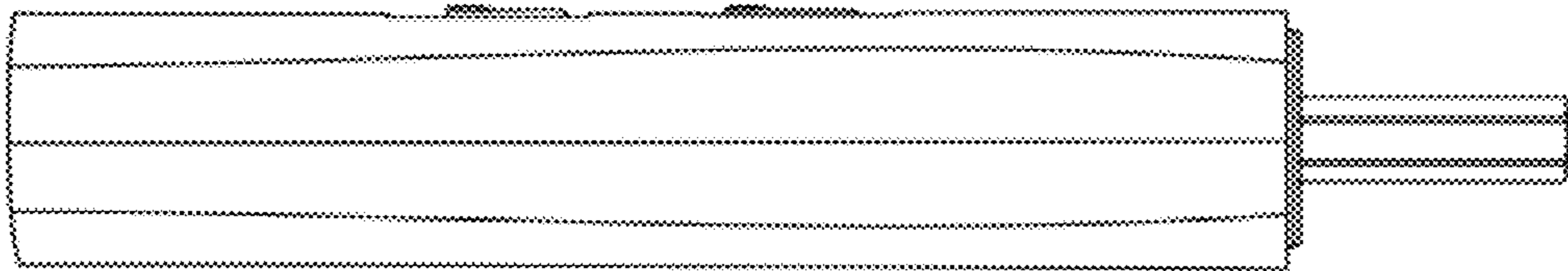


FIG. 5

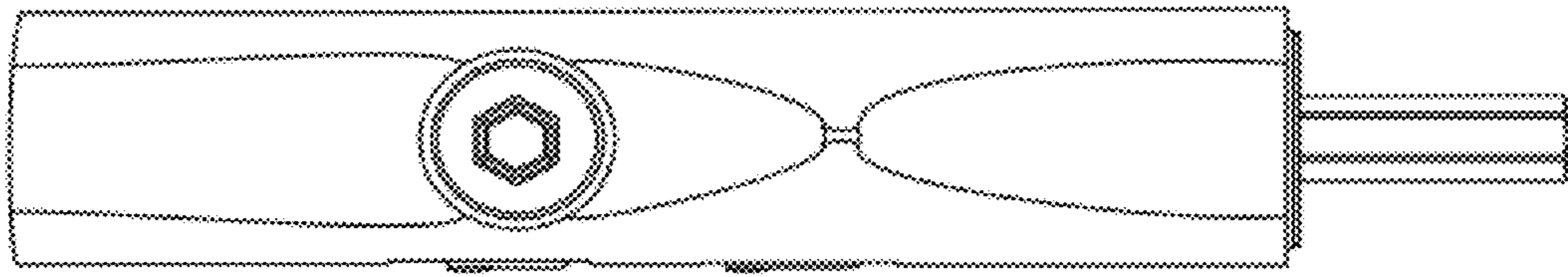


FIG. 6