

US00D664402S

(12) **United States Design Patent**
Blakeman

(10) **Patent No.:** **US D664,402 S**
(45) **Date of Patent:** **** Jul. 31, 2012**

- (54) **TIRE ICE CHEST**
- (76) Inventor: **Ken Blakeman**, Manhattan Beach, CA
(US)
- (**) Term: **14 Years**
- (21) Appl. No.: **29/386,164**
- (22) Filed: **Feb. 25, 2011**
- (51) **LOC (9) Cl.** **07-01**
- (52) **U.S. Cl.** **D7/606**
- (58) **Field of Classification Search** D7/603-608,
D7/628; 220/915.1, 915.2, 592.03, 592.09,
220/592.02, 592.16; 280/655.1, 47.26, 43.1,
280/43.24, 43.17, 29, 47.17, 242.1, 200,
280/64

- D425,757 S 5/2000 Printz et al.
- 6,205,794 B1 * 3/2001 Brothers 62/51.1
- 6,237,925 B1 5/2001 Koenig
- D452,120 S 12/2001 Brangle et al.
- D453,602 S 2/2002 Chang
- 6,386,557 B1 * 5/2002 Weldon 280/30
- 6,474,097 B2 11/2002 Treppedi et al.
- 6,497,424 B2 12/2002 Gartner
- 6,520,514 B2 * 2/2003 Clegg 280/47.26
- 6,530,740 B2 3/2003 Kim
- 6,752,404 B1 6/2004 Blake
- 6,802,149 B1 10/2004 Albanese, Jr. et al.
- D519,789 S 5/2006 Thiele
- D521,322 S 5/2006 Loving
- D530,571 S 10/2006 Henmann et al.
- D536,219 S 2/2007 Gearing
- 7,387,608 B2 6/2008 Dunlop et al.
- 7,398,990 B2 7/2008 Tsai
- 7,407,032 B1 8/2008 Chambers et al.
- D575,965 S 9/2008 Weldon

See application file for complete search history.

(Continued)

(56) **References Cited**

U.S. PATENT DOCUMENTS

- D198,676 S 7/1964 Tarran
- 3,456,960 A 7/1969 Rector
- D231,523 S 4/1974 Baker
- D249,031 S 8/1978 Tarran
- D249,032 S 8/1978 Tarran
- 4,164,284 A 8/1979 Witt et al.
- 4,513,895 A 4/1985 Leslie
- 4,776,603 A 10/1988 Watts
- 4,974,862 A 12/1990 Maupin
- D349,008 S 7/1994 Minor
- D349,009 S 7/1994 Minor
- D349,629 S 8/1994 Redmon
- D349,630 S 8/1994 Redmon
- D349,631 S 8/1994 Redmon
- D370,391 S 6/1996 Bauer et al.
- D371,934 S 7/1996 Cwirko
- D378,562 S 3/1997 Miller et al.
- 5,626,352 A 5/1997 Grace
- 5,803,472 A 9/1998 Lien
- D401,117 S 11/1998 Anderson et al.
- D409,050 S 5/1999 Anderson et al.
- D419,389 S 1/2000 Hanson
- D424,375 S 5/2000 D'Arrigo

FOREIGN PATENT DOCUMENTS

DE 29811256 U1 12/1998

Primary Examiner — Terry Wallace

(74) *Attorney, Agent, or Firm* — Weiner & Burt, P.C.; Irvine
M. Weiner; Pamela S. Burt

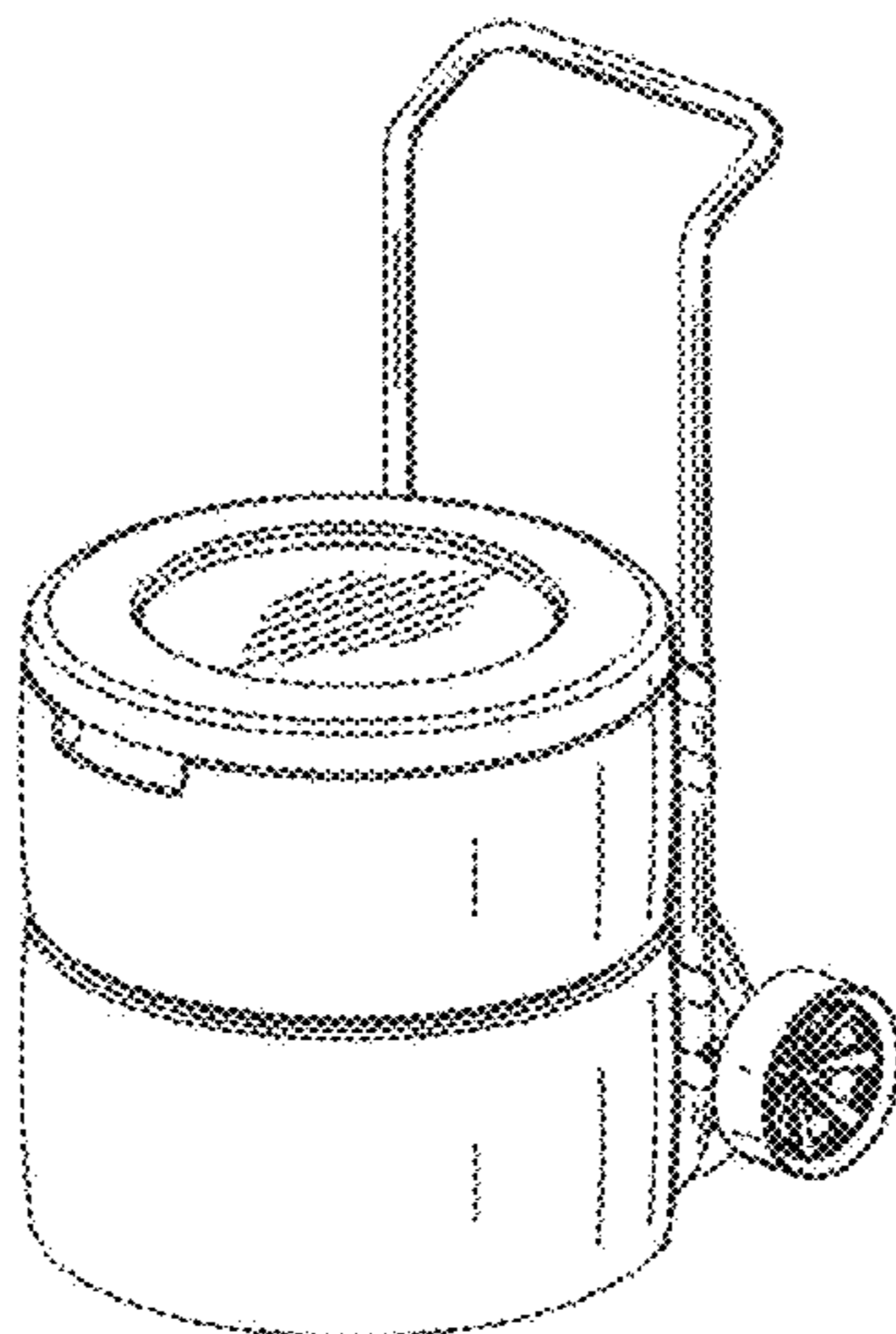
(57) **CLAIM**

The ornamental design for a tire ice chest, as shown and described.

DESCRIPTION

FIG. 1 is a perspective view of an ice chest showing my new design;
 FIG. 2 is a front elevational view thereof;
 FIG. 3 is a left side elevational view thereof;
 FIG. 4 is a rear elevational view thereof;
 FIG. 5 is a right side elevational view thereof;
 FIG. 6 is a top plan view thereof; and,
 FIG. 7 is a bottom view thereof.

1 Claim, 2 Drawing Sheets



US D664,402 S

Page 2

U.S. PATENT DOCUMENTS

7,464,947	B2	12/2008	Cortese				
D589,765	S	4/2009	Zuloff				
7,603,875	B2	10/2009	Carr				
D613,128	S	4/2010	Blakeman				
7,735,334	B2 *	6/2010	Johnson	62/457.4			
7,823,893	B2	11/2010	Meyers et al.				
7,934,730	B2	5/2011	Francis et al.				
D644,397	S	8/2011	Wood et al.				
					D644,398	S	8/2011 Wood et al.
					D644,400	S	8/2011 Wood et al.
					D644,401	S	8/2011 Dechant et al.
					2002/0060438	A1	5/2002 Gartner et al.
					2003/0168371	A1	9/2003 Weimer
					2005/0279123	A1	12/2005 Maldonado et al.
					2008/0223862	A1 *	9/2008 Vanderberg et al. 220/592.03
					2010/0263398	A1	10/2010 Webb

* cited by examiner

FIG 1

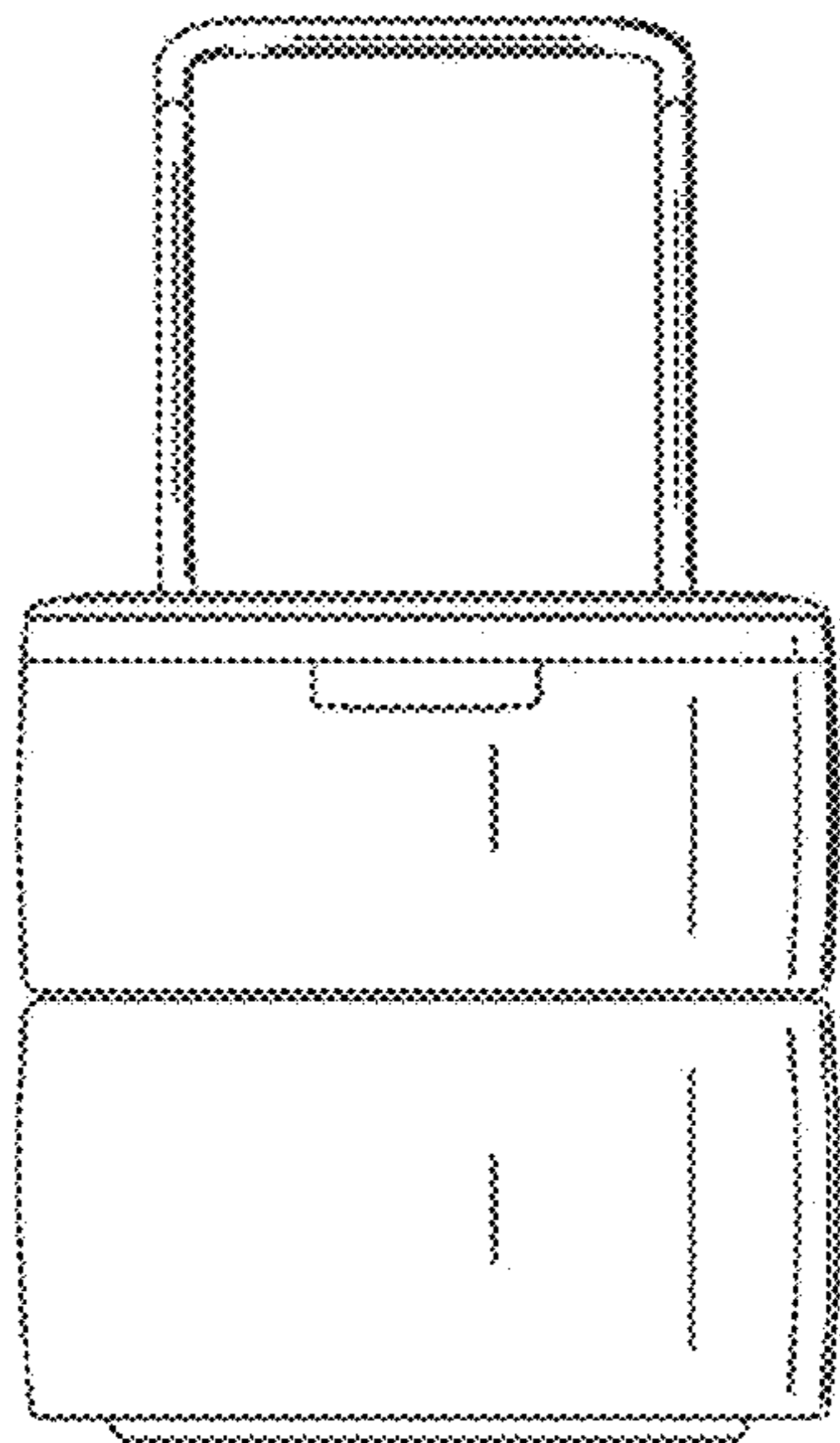
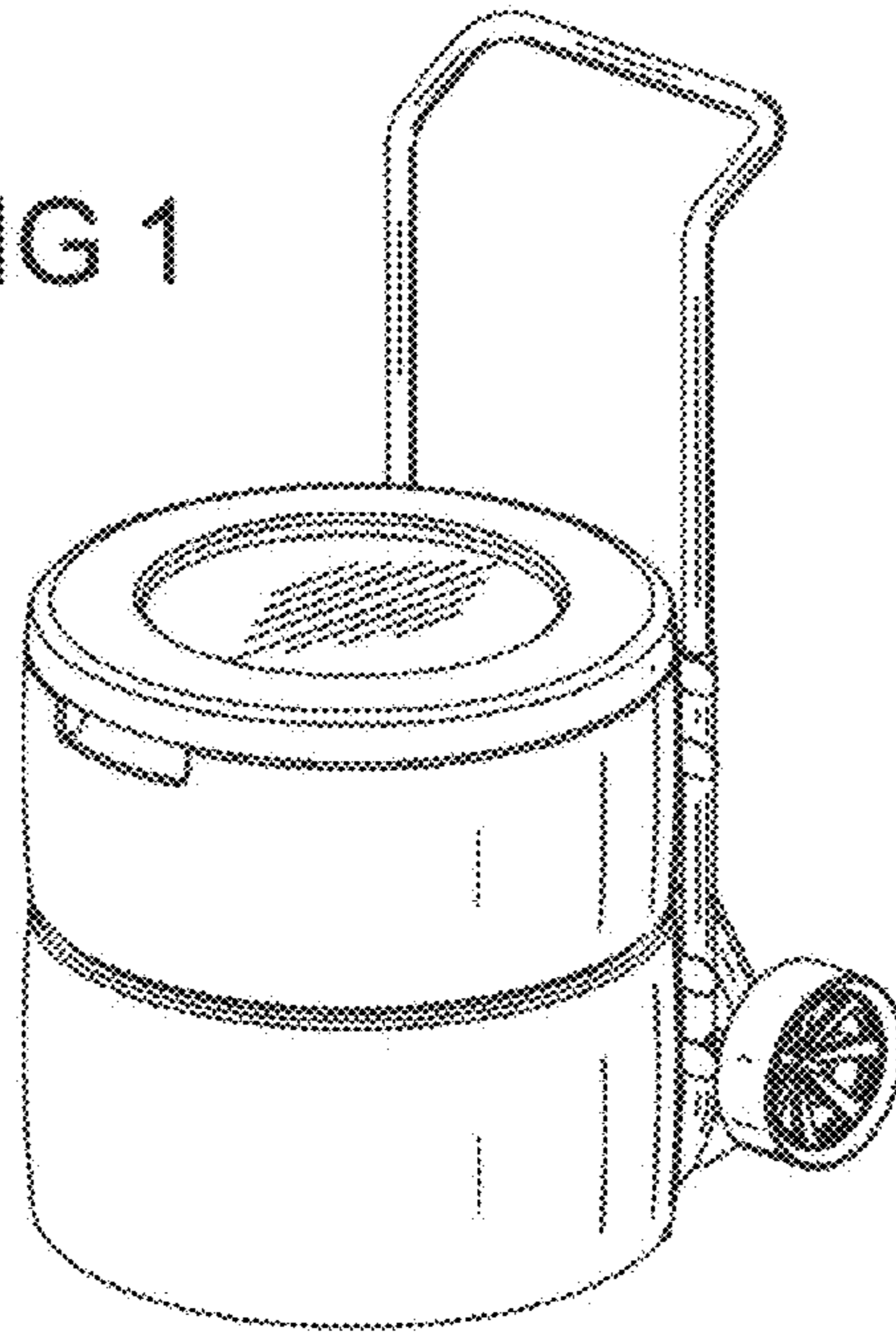


FIG 2

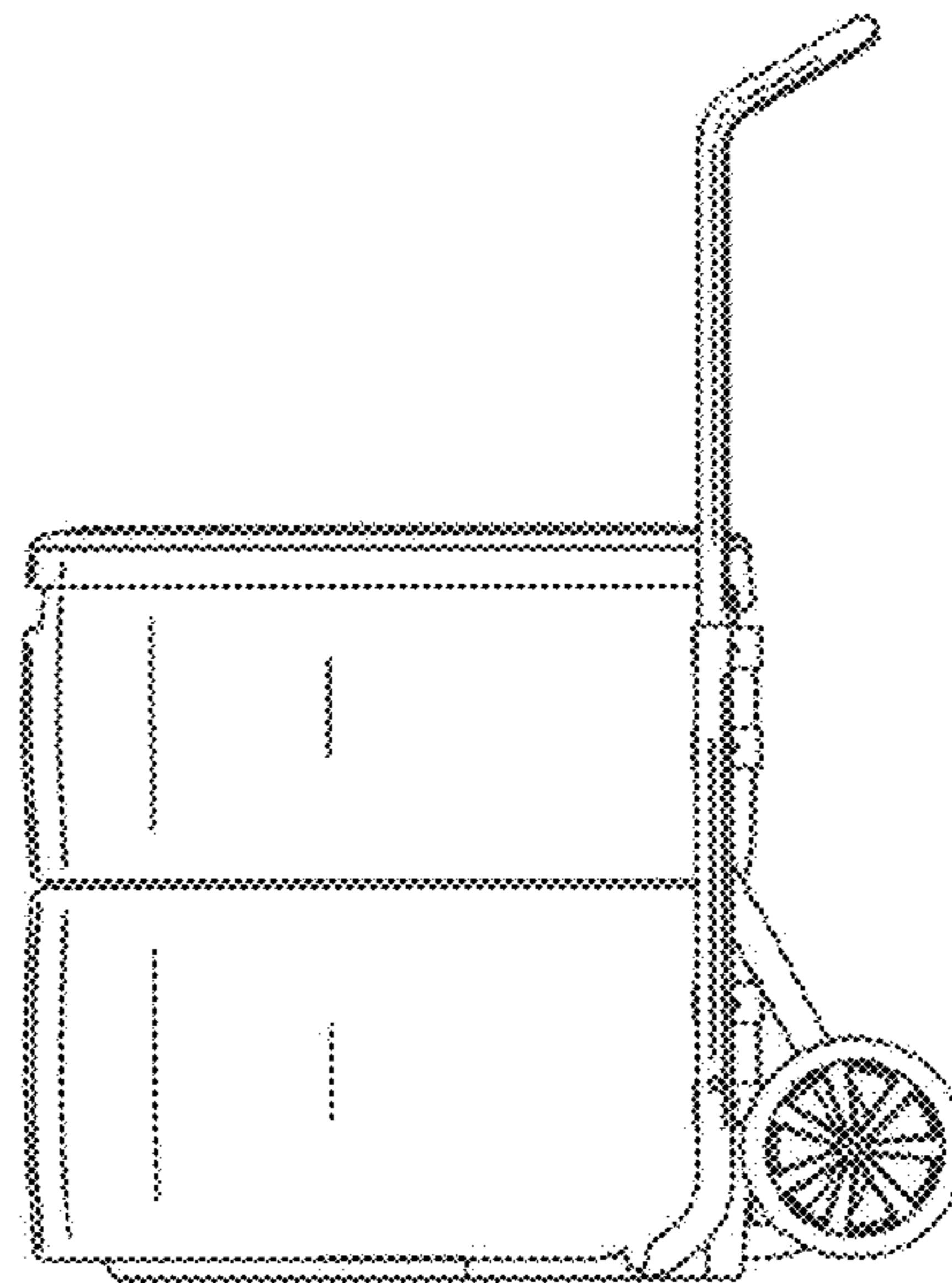


FIG 3

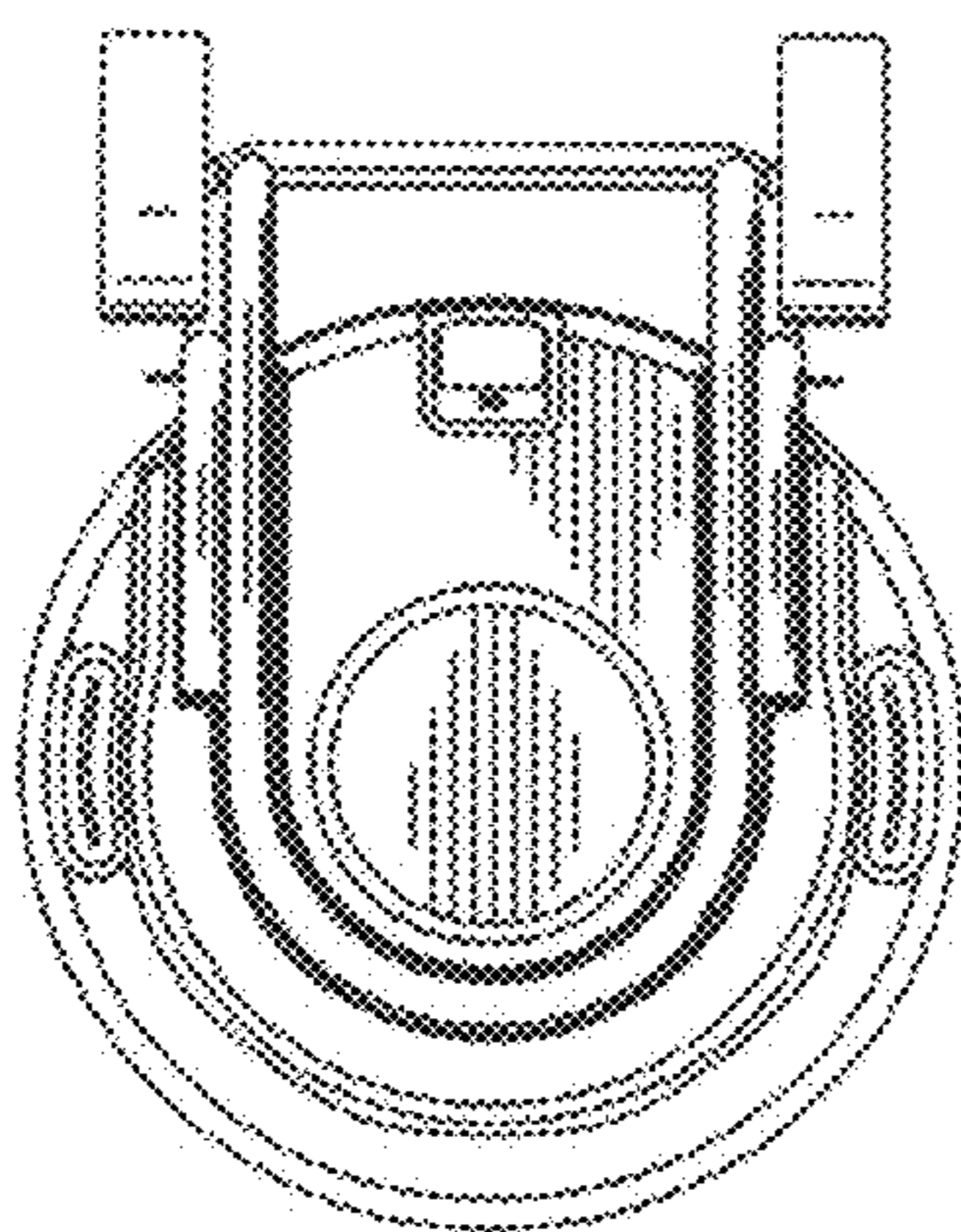
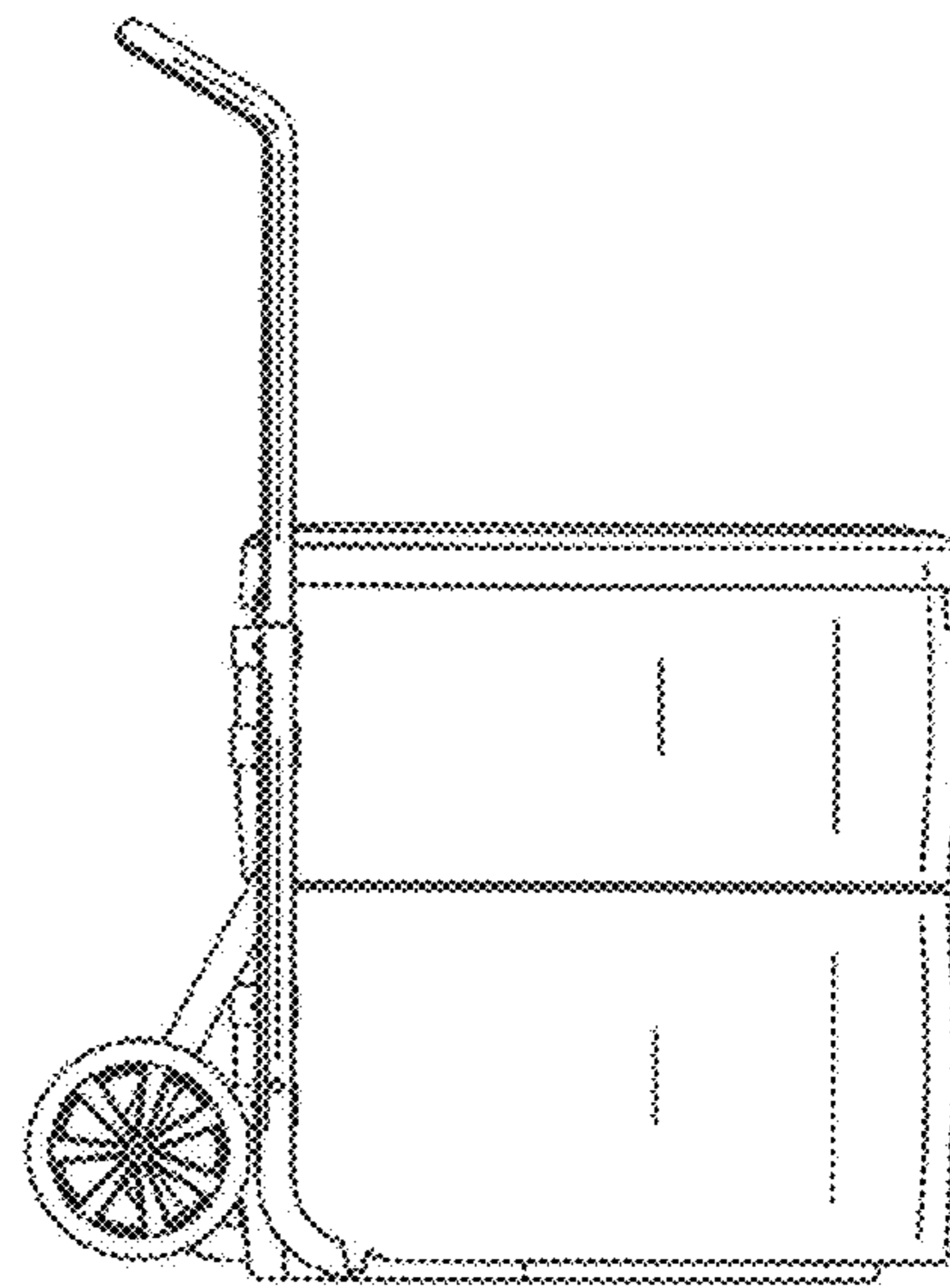
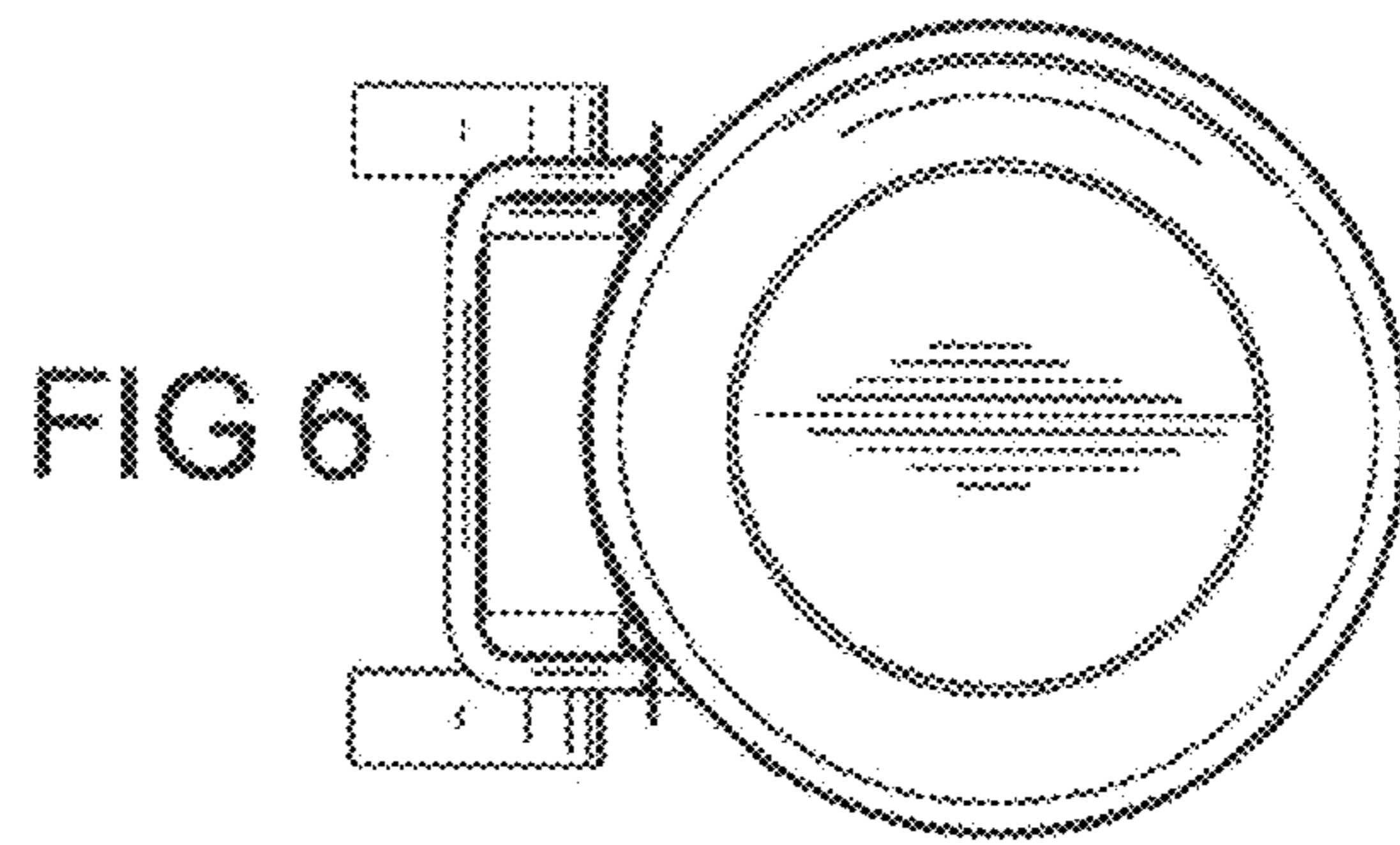
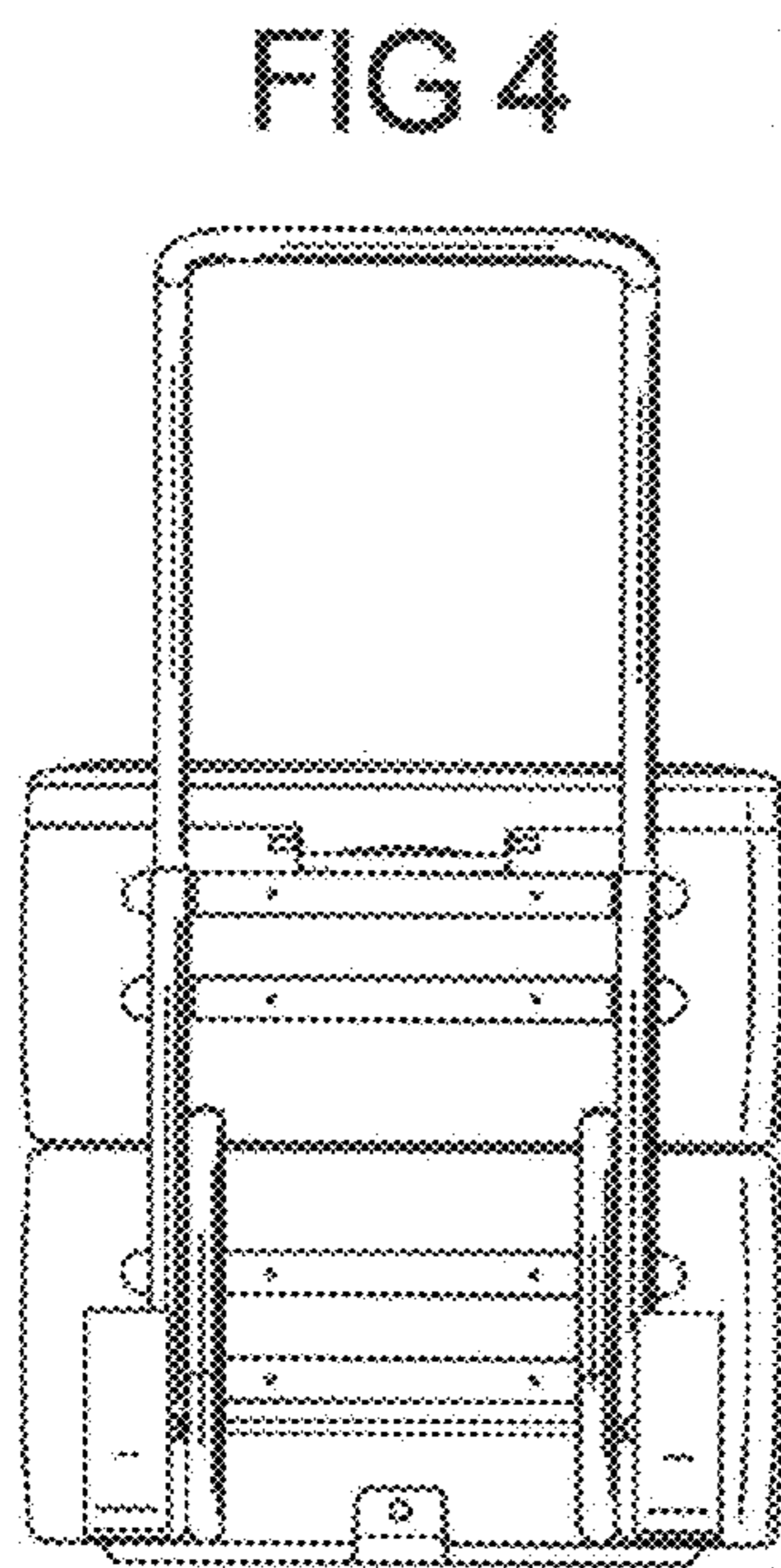


FIG 7