



US00D664400S

(12) **United States Design Patent**  
**Rothman**

(10) **Patent No.:** **US D664,400 S**  
(45) **Date of Patent:** **\*\* Jul. 31, 2012**

(54) **CANDY DISPENSER**

(75) Inventor: **Jacob Rothman**, Shanghai (CN)

(73) Assignee: **National Broom Co. of California**, San Leandro, CA (US)

(\*\*) Term: **14 Years**

(21) Appl. No.: **29/406,522**

(22) Filed: **Nov. 15, 2011**

(51) **LOC (9) Cl.** ..... **07-06**

(52) **U.S. Cl.** ..... **D7/589**

(58) **Field of Classification Search** ..... D7/589;  
D6/542-545; D20/1, 4, 7; 222/368, 185.1,  
222/181.1, 173, 367, 230, 160, 251, 282,  
222/288

See application file for complete search history.

(56) **References Cited**

U.S. PATENT DOCUMENTS

D261,656 S \* 11/1981 Svensson et al. .... D7/589  
D264,595 S \* 5/1982 Lyons ..... D7/589  
4,569,463 A \* 2/1986 Pellegrino ..... 222/288

D392,843 S \* 3/1998 Mulvihill ..... D7/589  
D467,466 S \* 12/2002 Apelboim et al. .... D7/589  
D500,636 S \* 1/2005 Levy et al. .... D7/589  
D507,936 S \* 8/2005 Gold et al. .... D7/589  
6,964,355 B2 \* 11/2005 Landau ..... 222/185.1  
D562,079 S \* 2/2008 Shlomo et al. .... D7/589

\* cited by examiner

*Primary Examiner* — Terry Wallace

(74) *Attorney, Agent, or Firm* — Michael J. Hughes

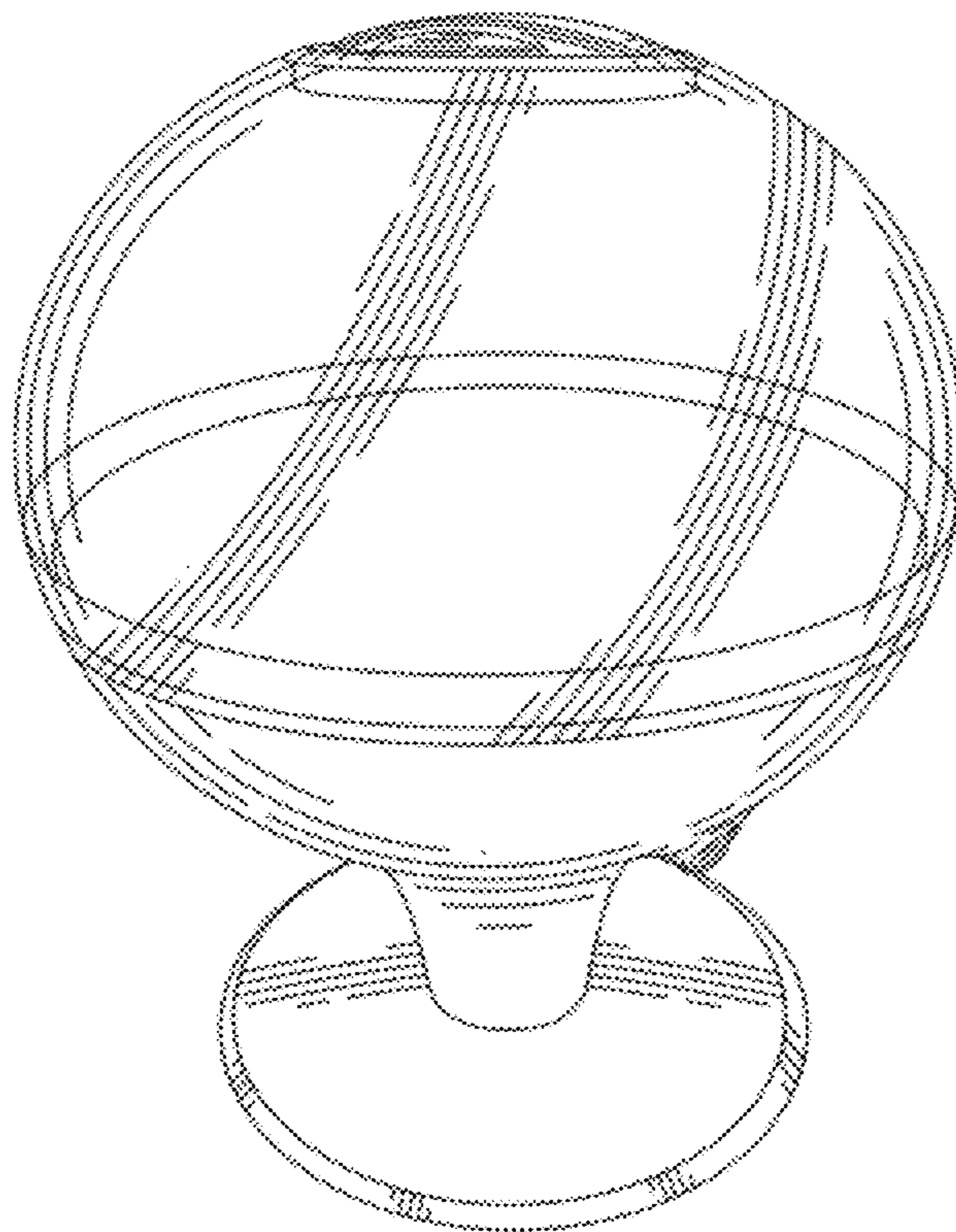
(57) **CLAIM**

The ornamental design for a candy dispenser, as shown and described.

**DESCRIPTION**

FIG. 1 is a front top front right perspective view of the candy dispenser of the present invention;  
FIG. 2 is a front view thereof;  
FIG. 3 is a rear view thereof;  
FIG. 4 is a left side elevational view thereof;  
FIG. 5 is a right side elevational view thereof;  
FIG. 6 is a top view thereof; and,  
FIG. 7 is a bottom view thereof.

**1 Claim, 4 Drawing Sheets**



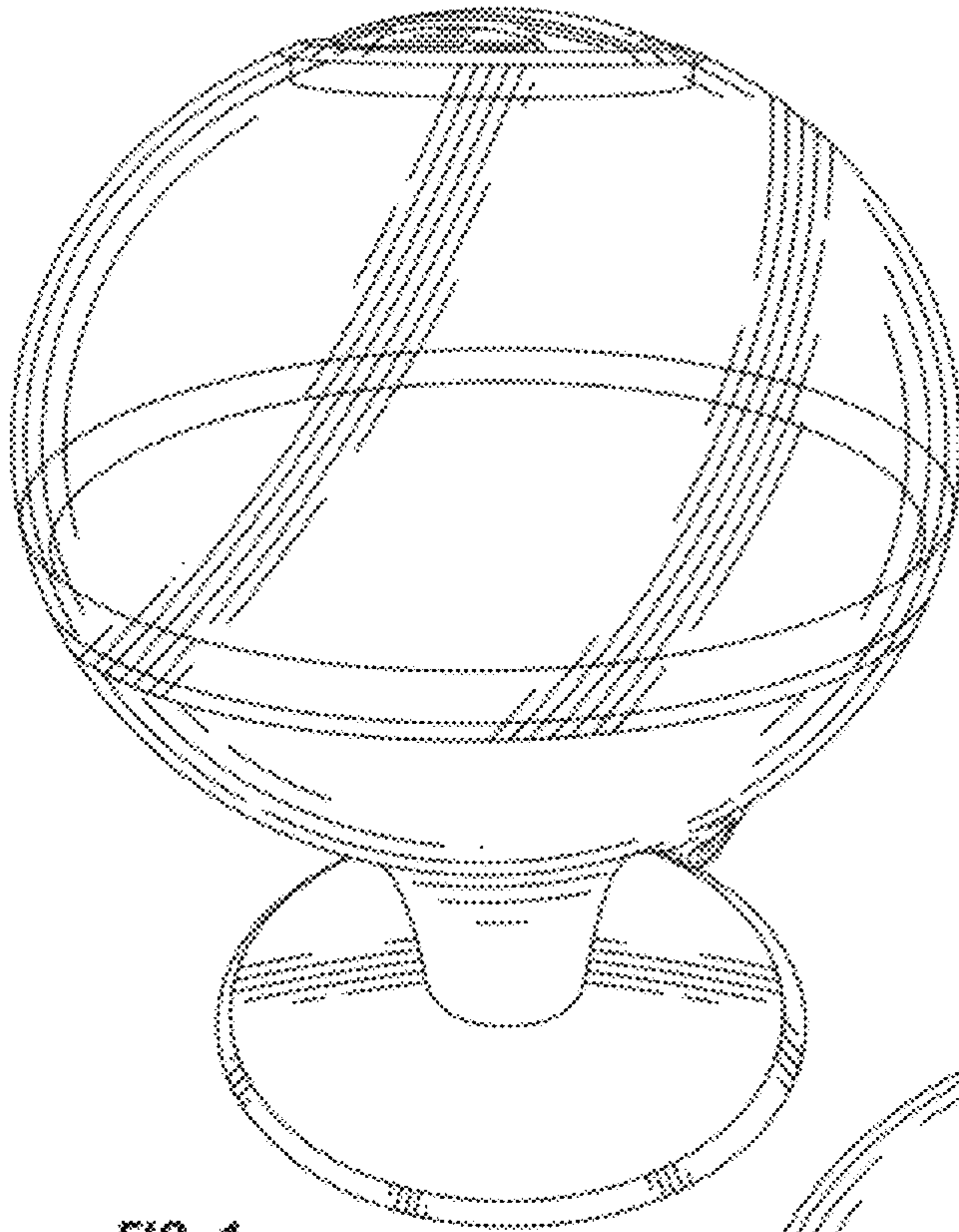


FIG. 1

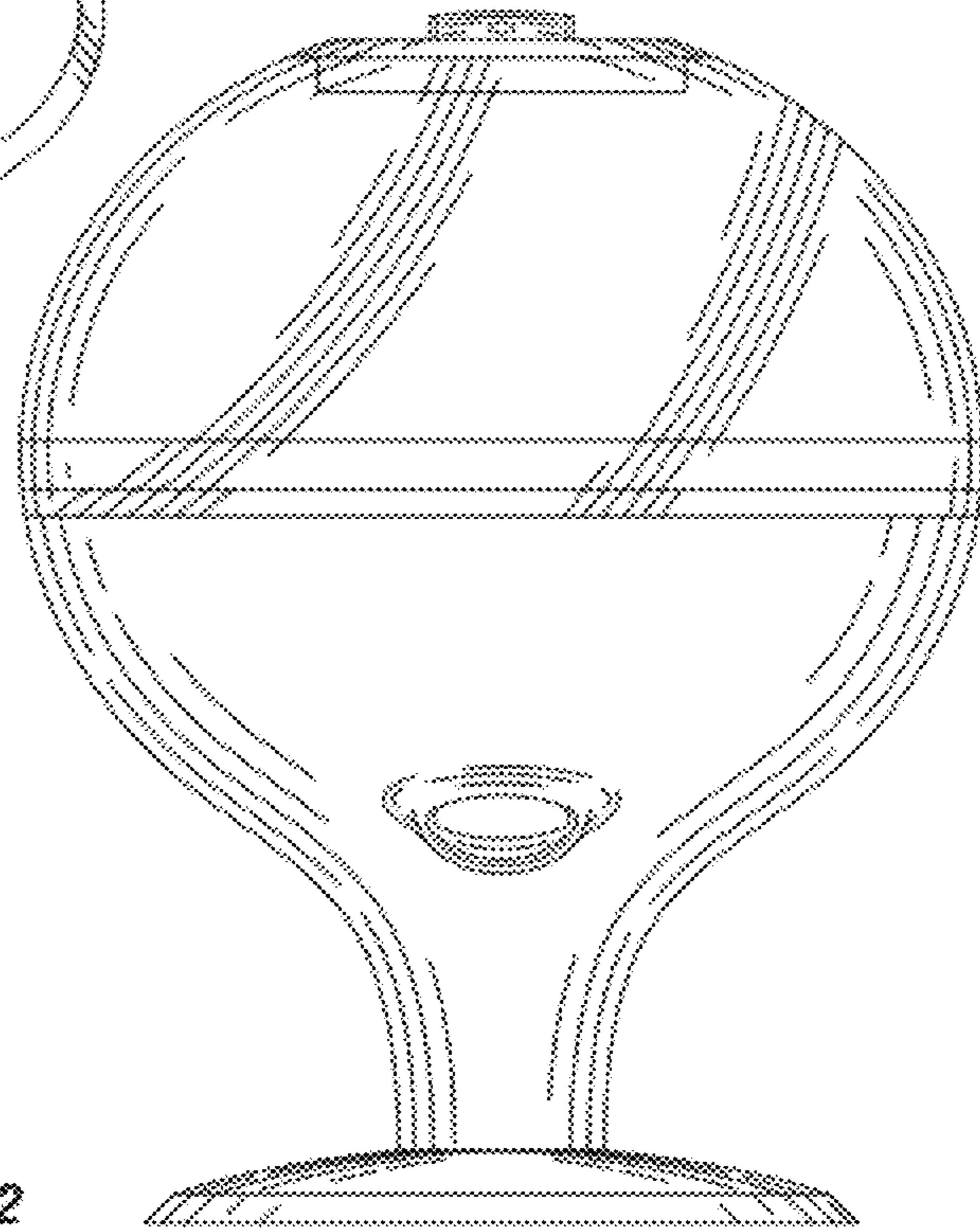


FIG. 2

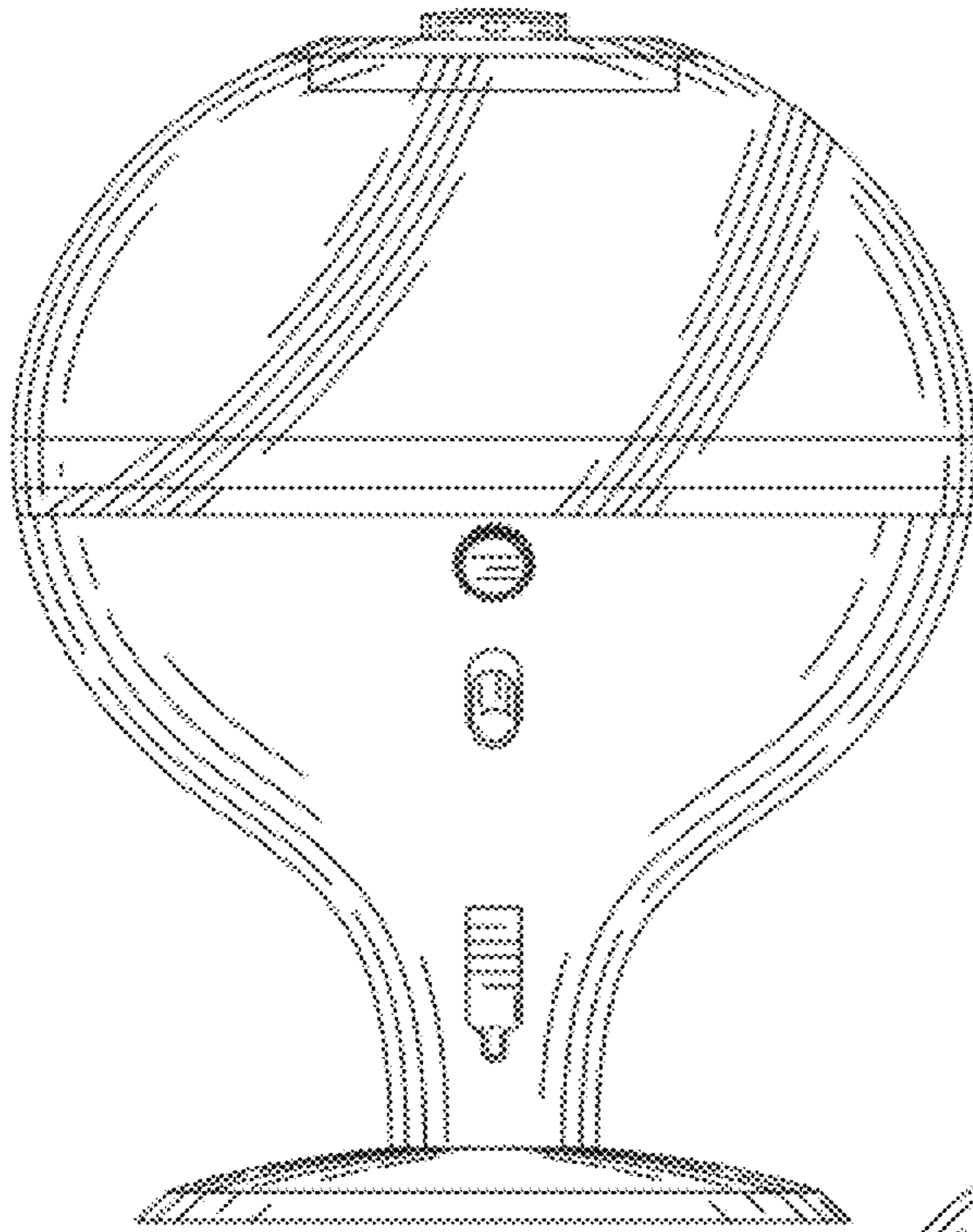


FIG. 3

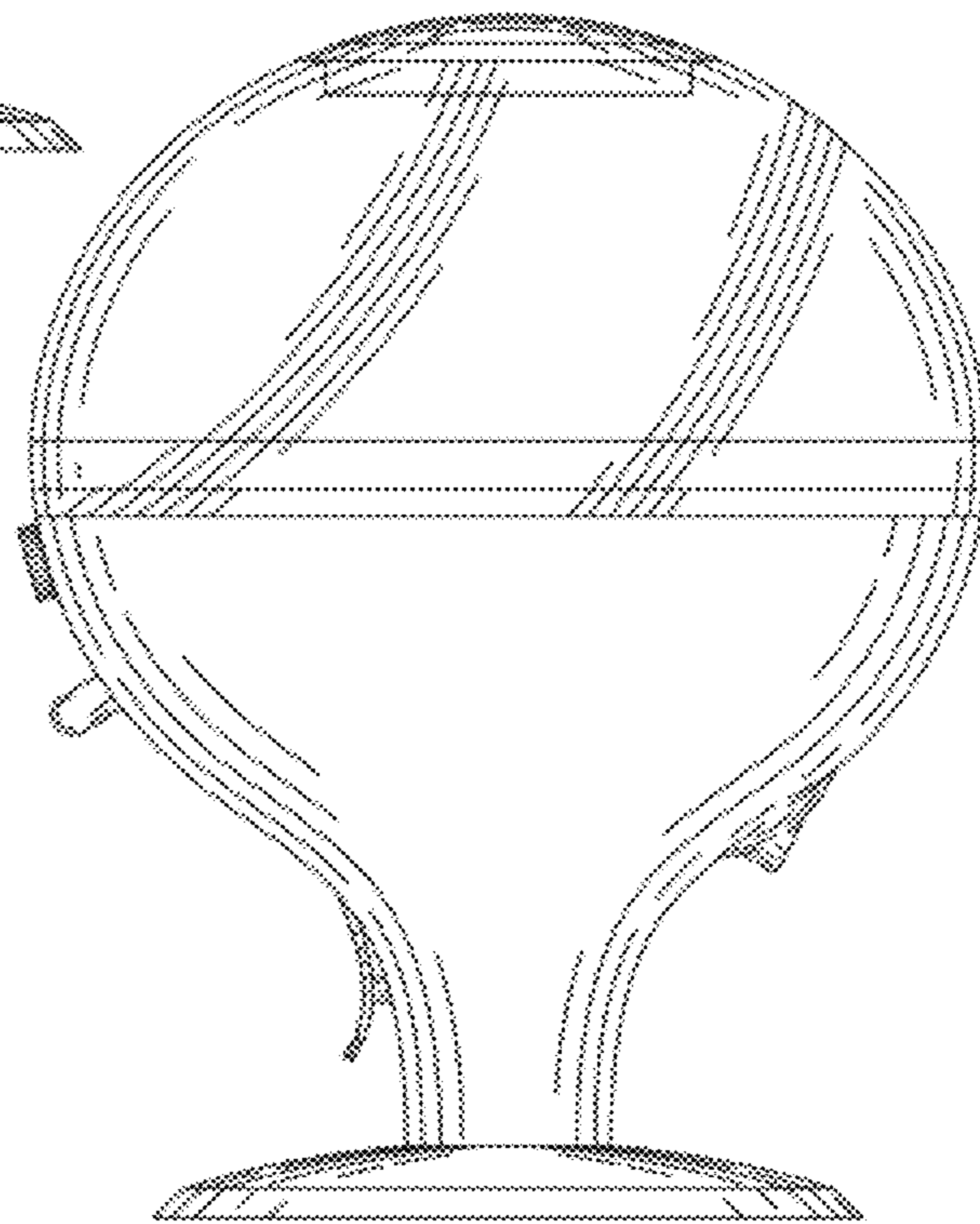


FIG. 4

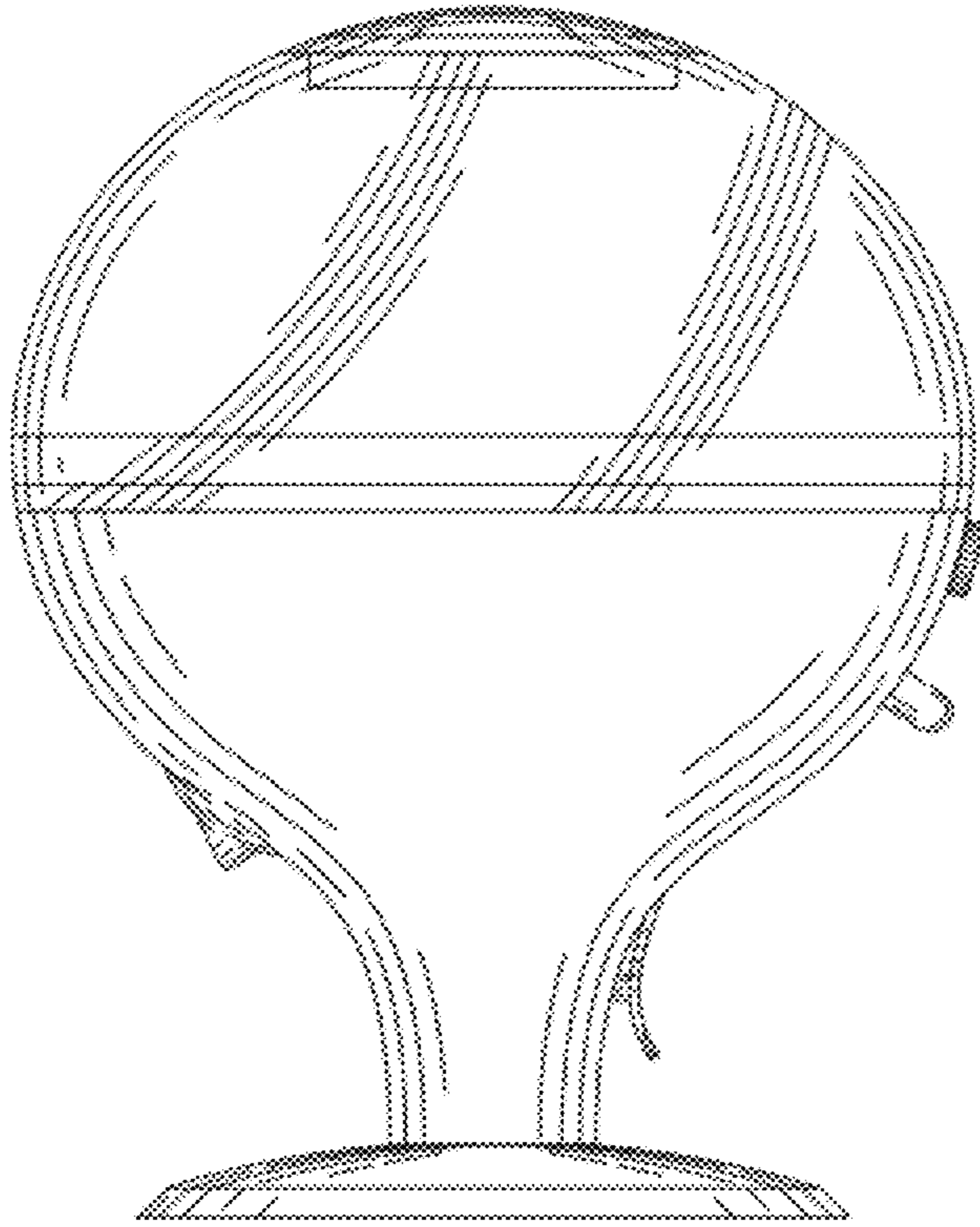


FIG. 5

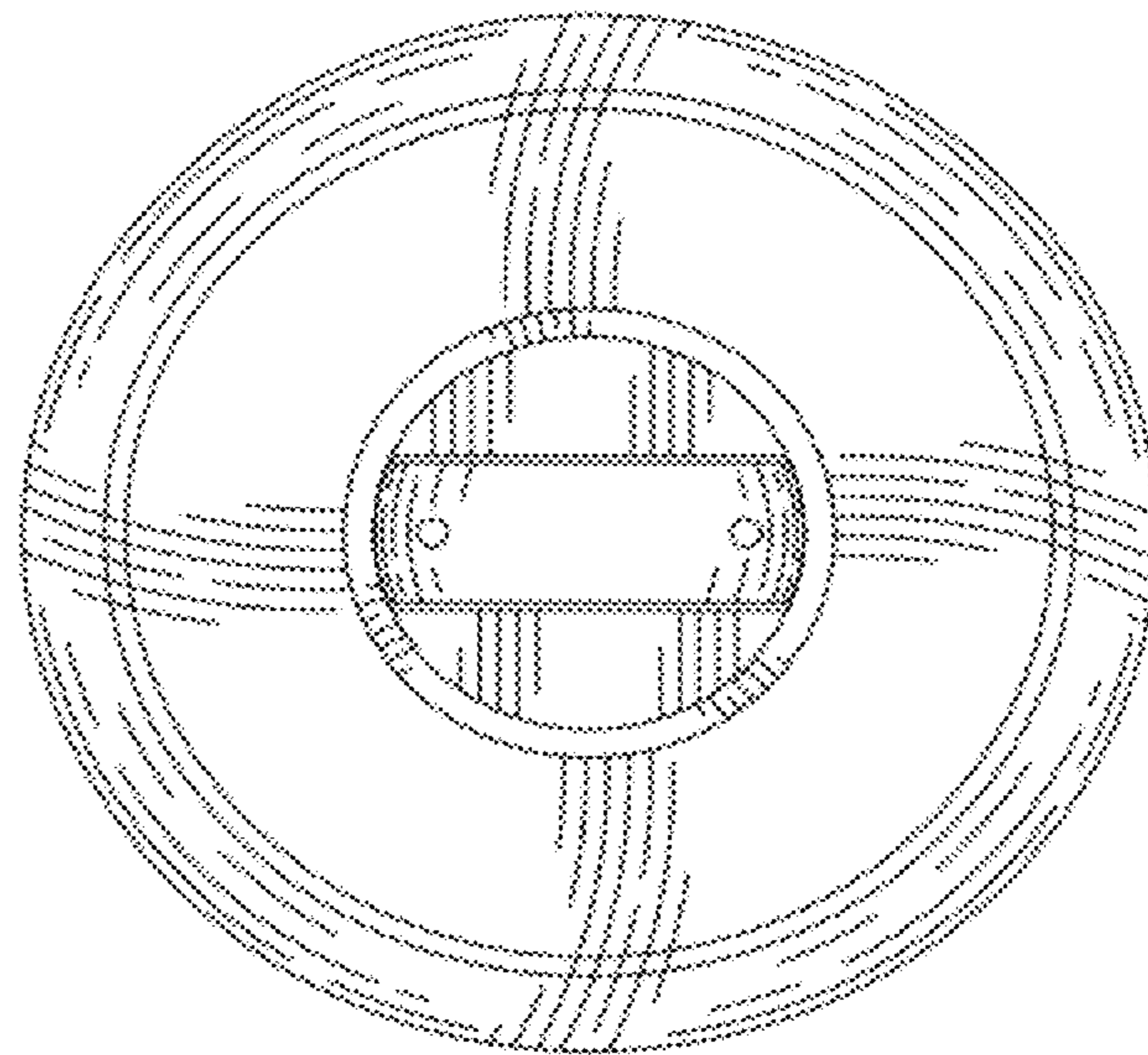
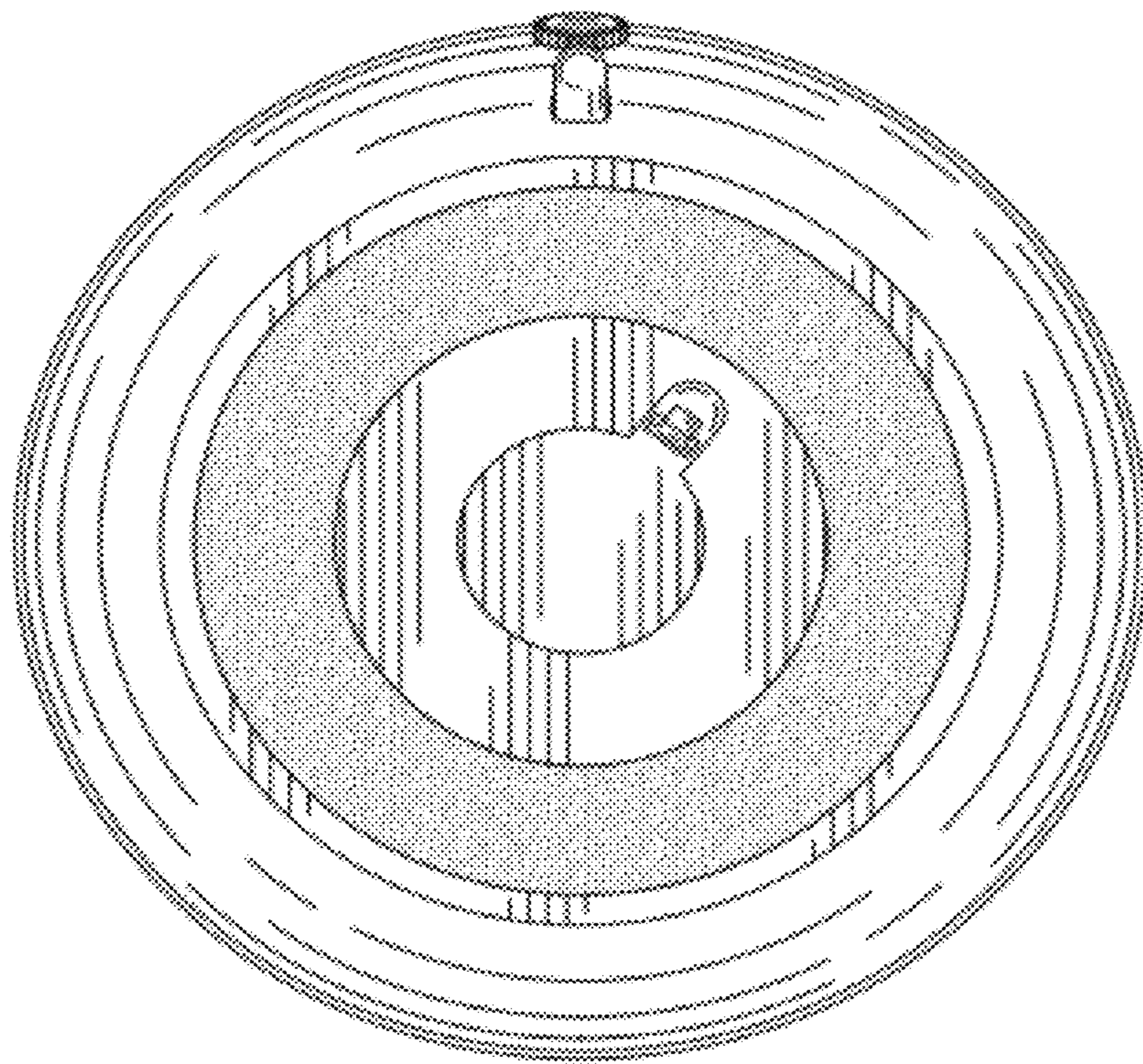


FIG. 6



**FIG. 7**