

US00D664398S

(12) **United States Design Patent**
Zemel

(10) **Patent No.:** **US D664,398 S**

(45) **Date of Patent:** **** *Jul. 31, 2012**

(54) **SERVING TRAY**

(75) Inventor: **Marc Zemel**, Old Bethpage, NY (US)

(73) Assignee: **Mr. BAR-B-Q-, Inc.**, Old Bethpage, NY (US)

(*) Notice: This patent is subject to a terminal disclaimer.

(**) Term: **14 Years**

(21) Appl. No.: **29/375,280**

(22) Filed: **Sep. 20, 2010**

(51) **LOC (9) Cl.** **07-01**

(52) **U.S. Cl.** **D7/553.1**

(58) **Field of Classification Search** D7/505,
D7/549, 552.2, 555, 553.1-553.5, 553.7;
D3/304; D9/736, 749; 206/562-565, 217;
220/555

See application file for complete search history.

(56) **References Cited**

U.S. PATENT DOCUMENTS

D316,359 S *	4/1991	Anderson	D7/549
D404,218 S *	1/1999	Sussman	D6/406.5
D406,727 S *	3/1999	Weatherby et al.	D7/553.1
D410,820 S *	6/1999	Lofrano	D7/549
D439,114 S *	3/2001	Dini	D7/553.1
D448,977 S *	10/2001	Bleimaier et al.	D7/553.6
D454,489 S *	3/2002	Enciso et al.	D9/761
D455,316 S *	4/2002	Carpenter	D7/549
D485,731 S *	1/2004	Bulcher et al.	D7/553.1

D519,787 S *	5/2006	Kilders	D7/549
D541,589 S *	5/2007	Littlejohn	D7/549
D557,987 S *	12/2007	Hoehne	D7/551.1
D573,410 S *	7/2008	Hou	D7/553.4
D588,870 S *	3/2009	Rasmussen	D7/398
D595,094 S *	6/2009	Vernes et al.	D7/553.4
D623,020 S *	9/2010	De Bretton Gordon	D7/555
D625,959 S *	10/2010	Deming	D7/553.6
D625,994 S *	10/2010	Krupa	D9/424

* cited by examiner

Primary Examiner — Kelley Donnelly

(74) *Attorney, Agent, or Firm* — Carter, DeLuca, Farrell & Schmidt, LLP

(57) **CLAIM**

The ornamental design for a serving tray, as shown and described.

DESCRIPTION

FIG. 1 is a top plan view of a serving tray showing my new design:

FIG. 2 is a bottom view thereof;

FIG. 3 is a front elevational view thereof;

FIG. 4 is a rear elevational view thereof;

FIG. 5 is a left side view thereof;

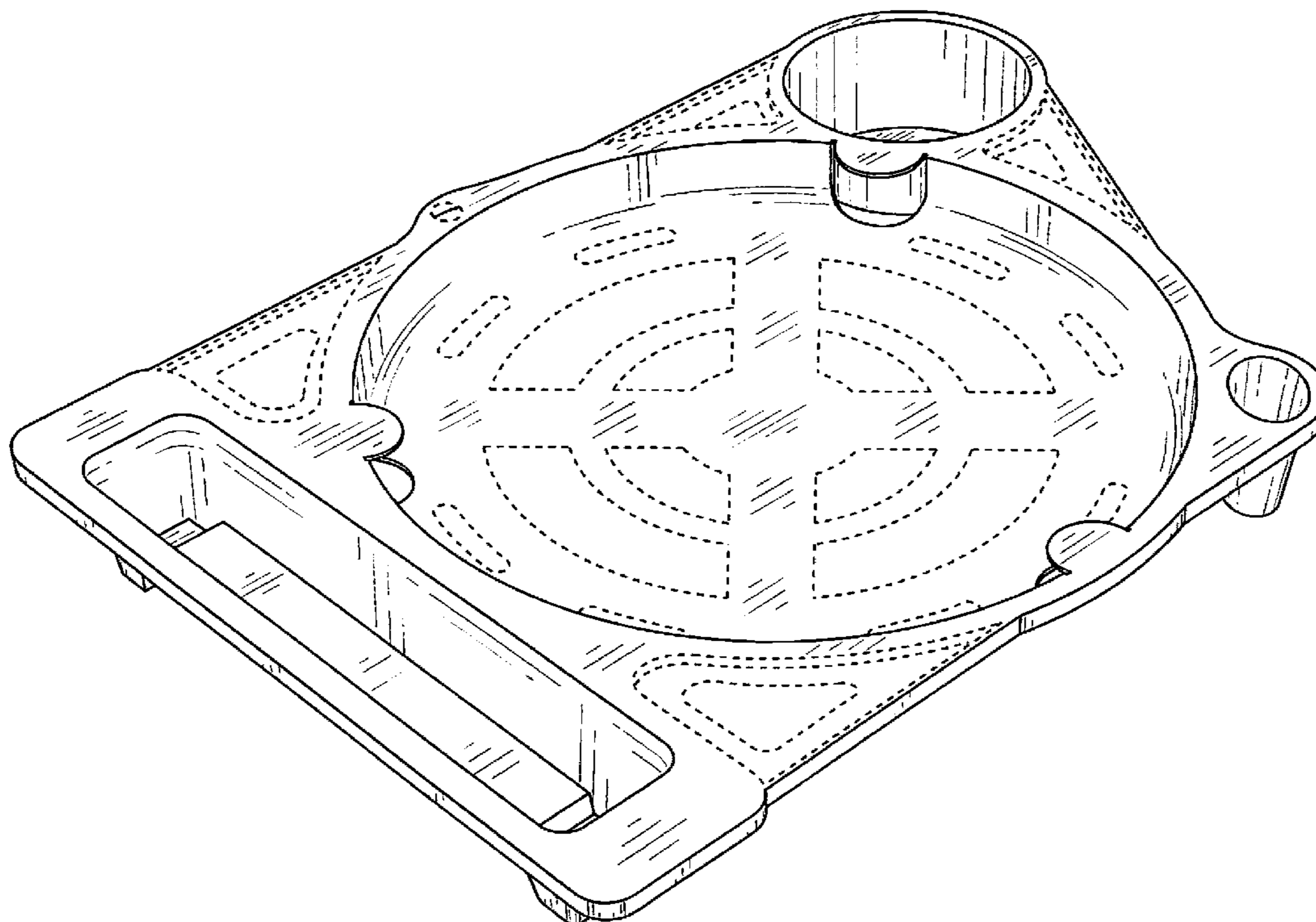
FIG. 6 is a right side view thereof;

FIG. 7 is a front perspective view thereof; and,

FIG. 8 is a rear perspective view thereof.

The broken lines showing is included for the purpose of illustrating environment of the design and forms no part of the claimed design.

1 Claim, 6 Drawing Sheets



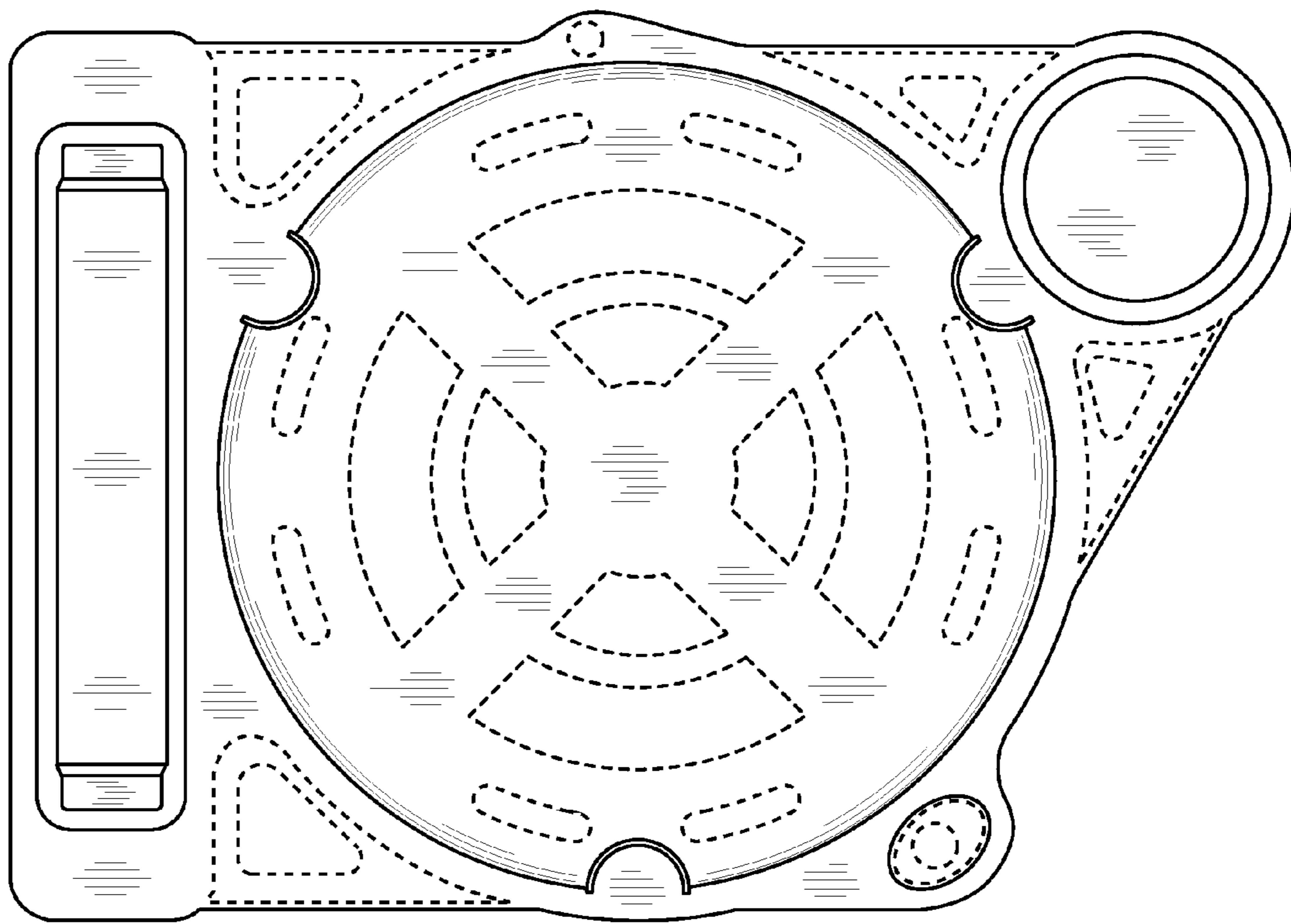


Fig. 1

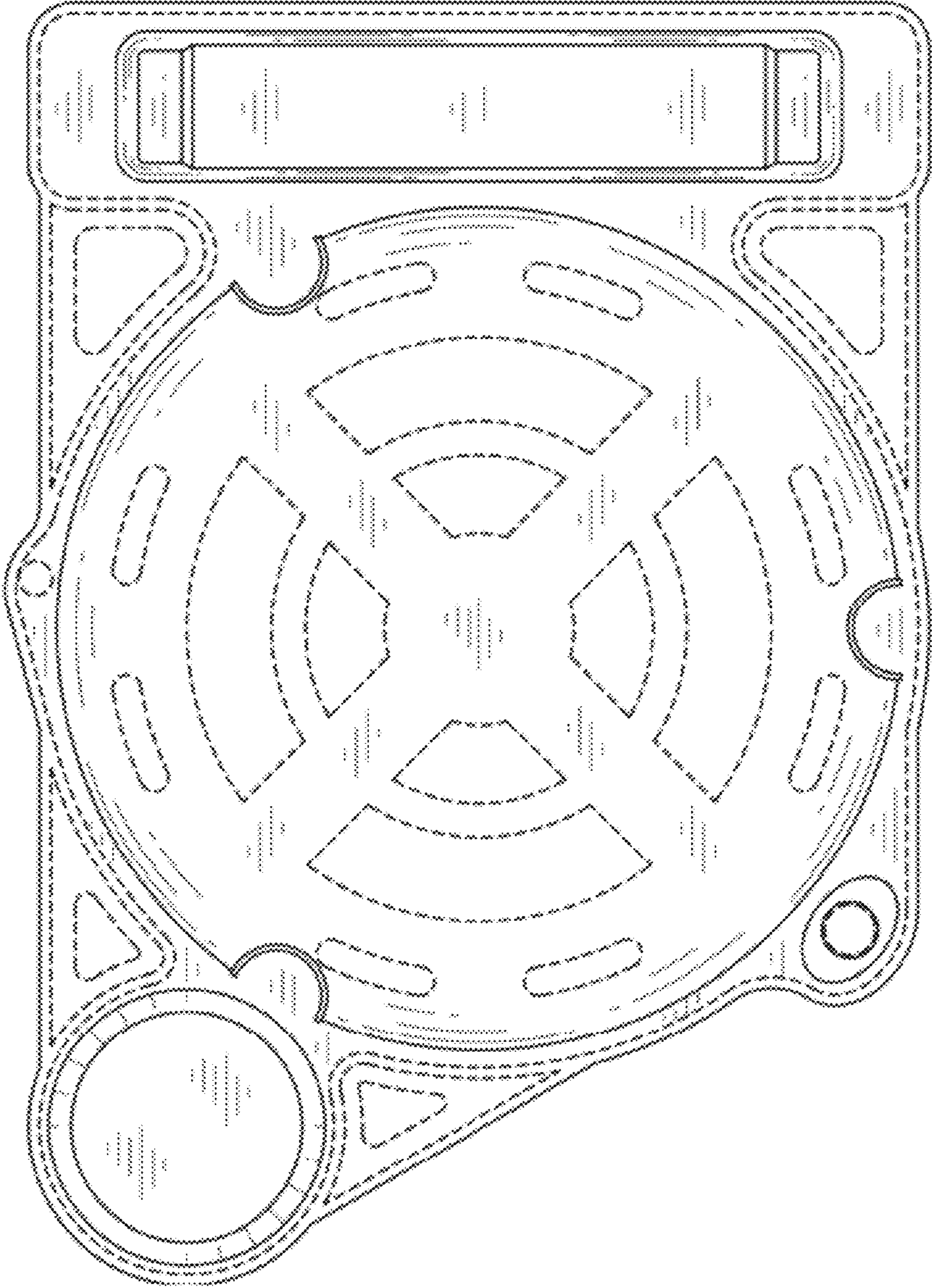


Fig. 2

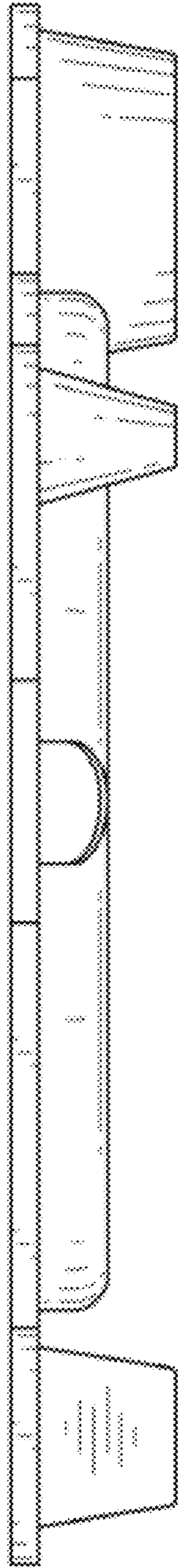


Fig. 3

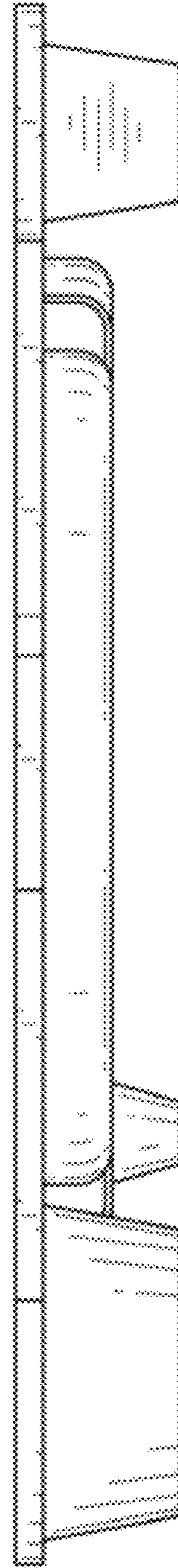


Fig. 4

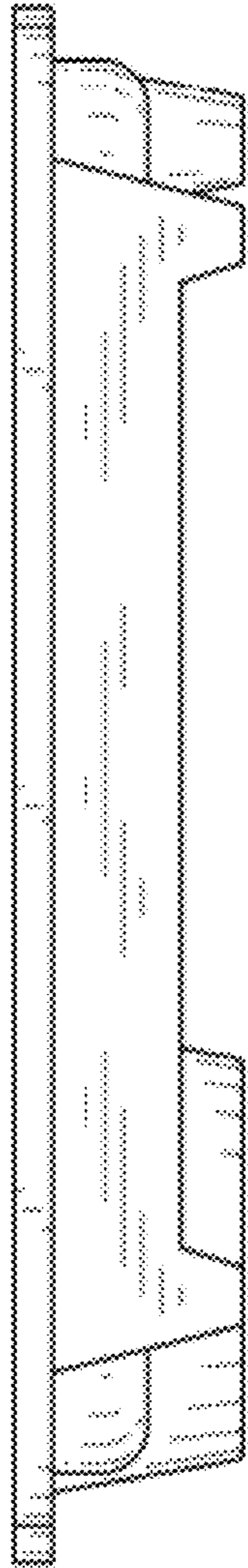


Fig. 5

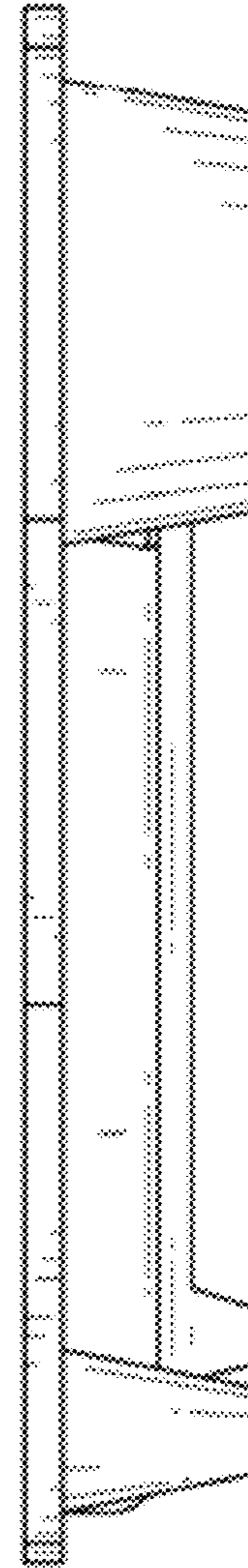


Fig. 6

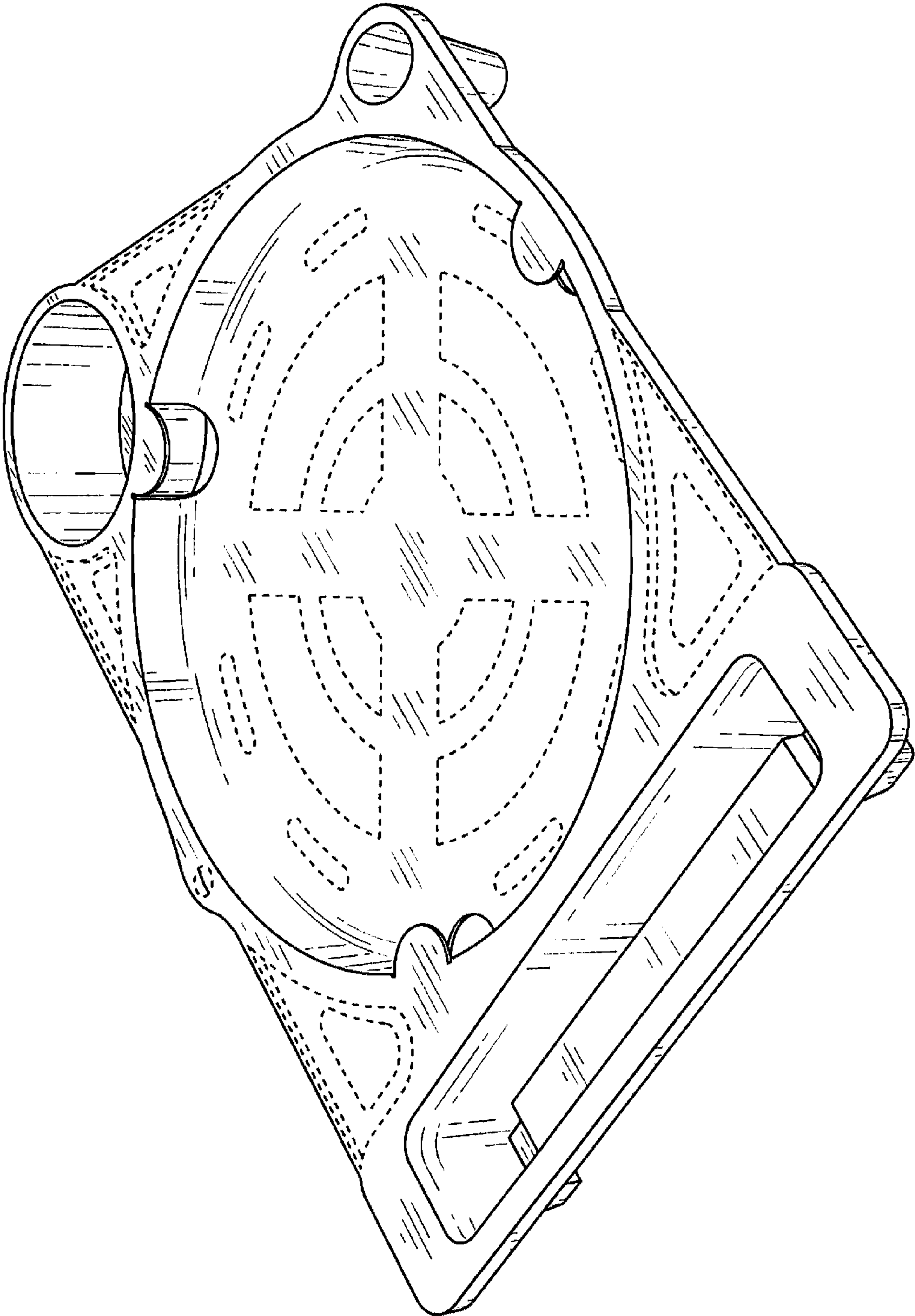


FIG. 7

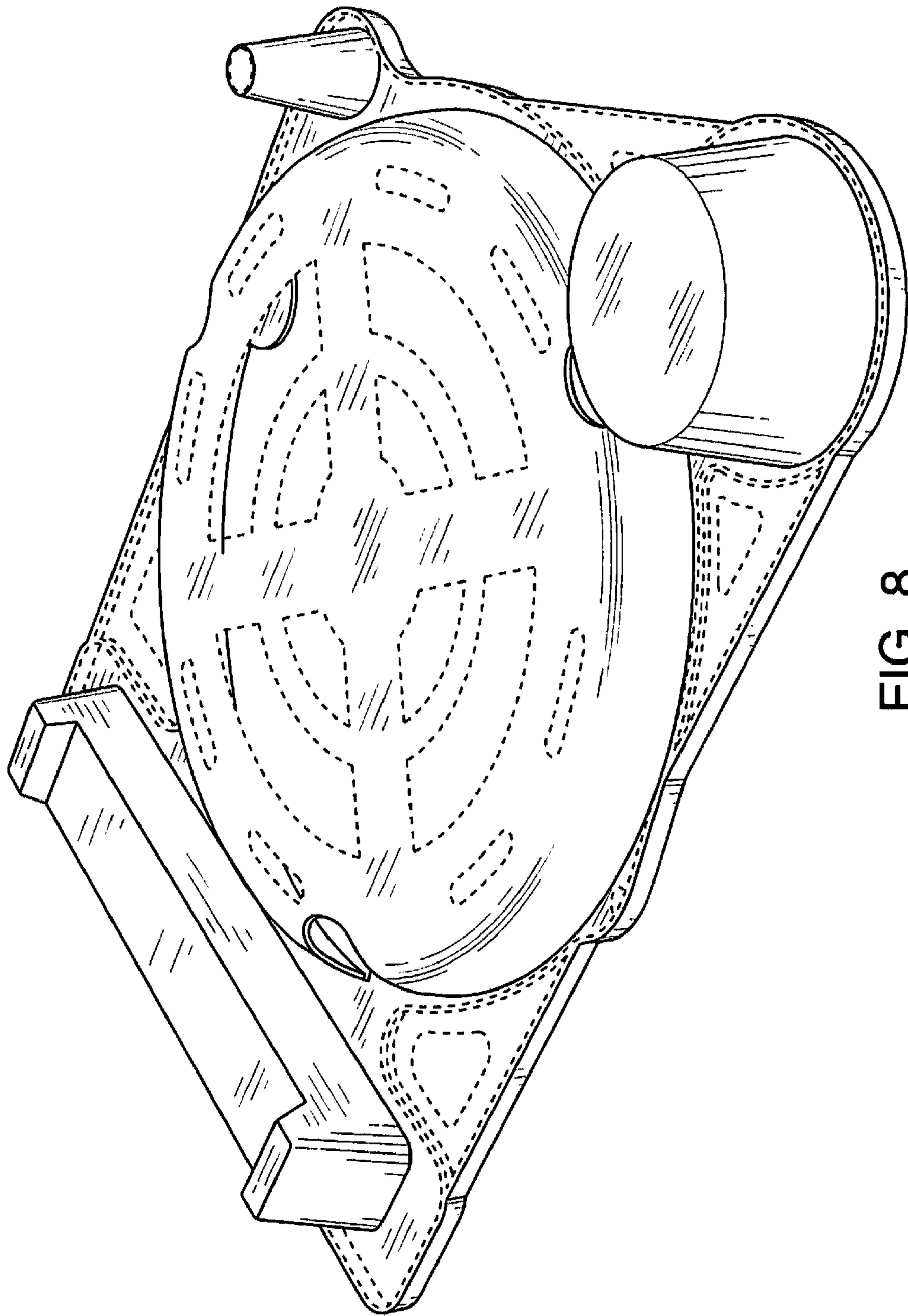


FIG. 8