

US00D664390S

(12) **United States Design Patent**  
**Shen**

(10) **Patent No.:** **US D664,390 S**

(45) **Date of Patent:** **\*\* Jul. 31, 2012**

(54) **COOKWARE LONG HANDLE**

(76) **Inventor:** **John Wei Shen**, Rowland Heights, CA  
(US)

(\*\*) **Term:** **14 Years**

(21) **Appl. No.:** **29/404,072**

(22) **Filed:** **Oct. 14, 2011**

(51) **LOC (9) Cl.** ..... **07-02**

(52) **U.S. Cl.** ..... **D7/395**

(58) **Field of Classification Search** ..... D7/354-361,  
D7/393-395, 664; D8/107, 300, 303, 307,  
D8/313, 321; D4/138, 129; 16/421, 430,  
16/431, 110.1, 407; 220/573.1-573.5, 752,  
220/753, 755, 756, 759, 767, 771, 912

See application file for complete search history.

(56) **References Cited**

**U.S. PATENT DOCUMENTS**

D482,567 S *	11/2003	Demers	.....	D7/395
D514,379 S *	2/2006	Kerr et al.	.....	D7/395
D555,425 S *	11/2007	Rae	.....	D7/395
D560,426 S *	1/2008	Prakasa	.....	D7/395
D560,428 S *	1/2008	Prakasa	.....	D7/395
D560,429 S *	1/2008	Prakasa	.....	D7/395
D567,579 S *	4/2008	Rae	.....	D7/393
D569,682 S *	5/2008	Prakasa	.....	D7/393
D575,982 S *	9/2008	Rae	.....	D7/393

D581,721 S *	12/2008	Rae	.....	D7/360
D592,452 S *	5/2009	Tetreault	.....	D7/395
D593,794 S *	6/2009	Rae	.....	D7/395
D596,895 S *	7/2009	Tetreault et al.	.....	D7/393
D596,897 S *	7/2009	Tetreault et al.	.....	D7/395
D596,898 S *	7/2009	Tetreault et al.	.....	D7/395
D630,889 S *	1/2011	Rae	.....	D7/395
D653,078 S *	1/2012	Cheng et al.	.....	D7/395

\* cited by examiner

*Primary Examiner* — Cynthia M Chin

(74) *Attorney, Agent, or Firm* — Clement Cheng

(57) **CLAIM**

The ornamental design for a cookware long handle, as shown and described.

**DESCRIPTION**

FIG. 1 is a perspective view.

FIG. 2 is a front view.

FIG. 3 is a rear view.

FIG. 4 is a left side view.

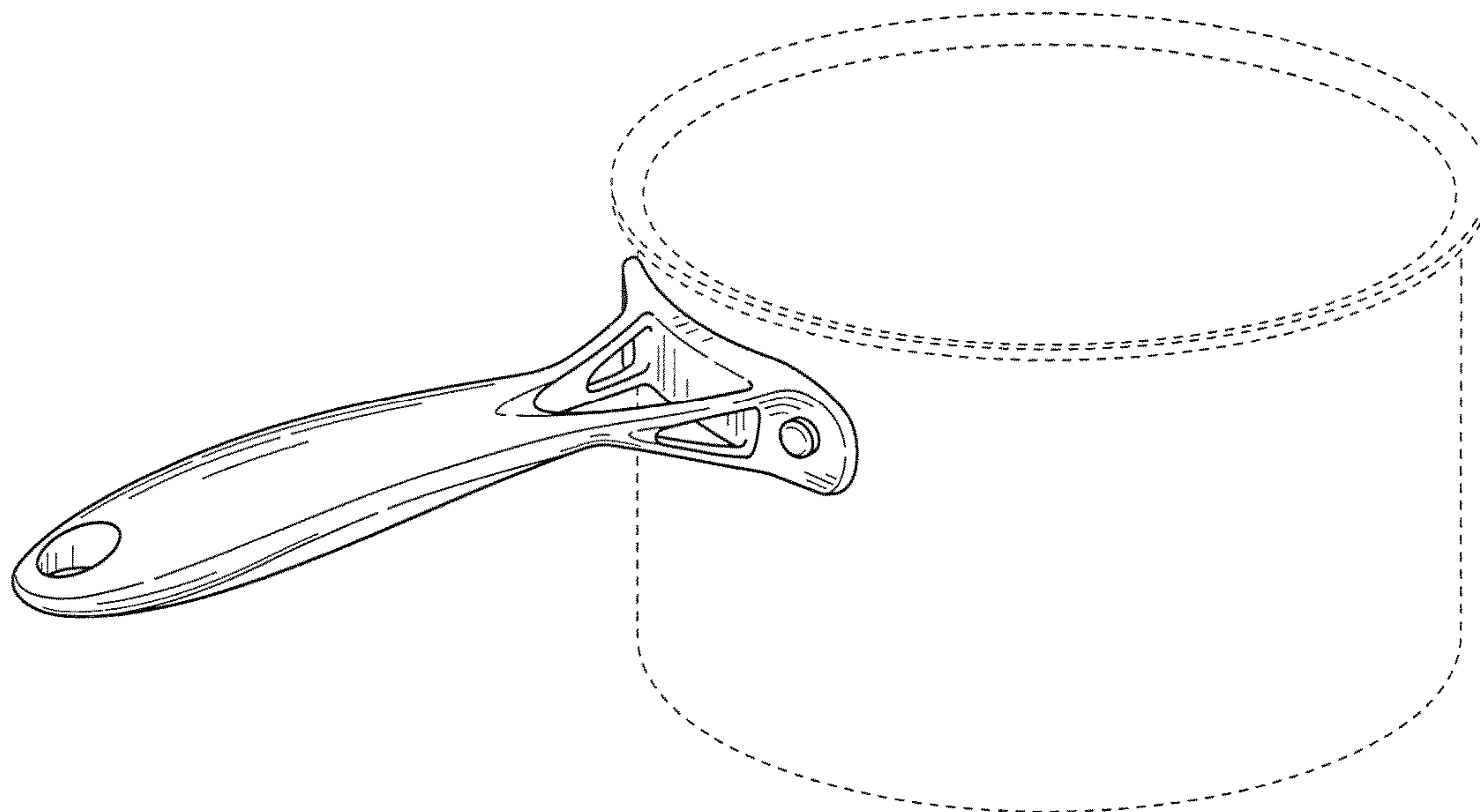
FIG. 5 is a right side view.

FIG. 6 is a top view; and,

FIG. 7 is a bottom view.

The dotted lines shown are included for the purpose of illustrating the unclaimed portions of the article and form no part of the claimed design.

**1 Claim, 4 Drawing Sheets**



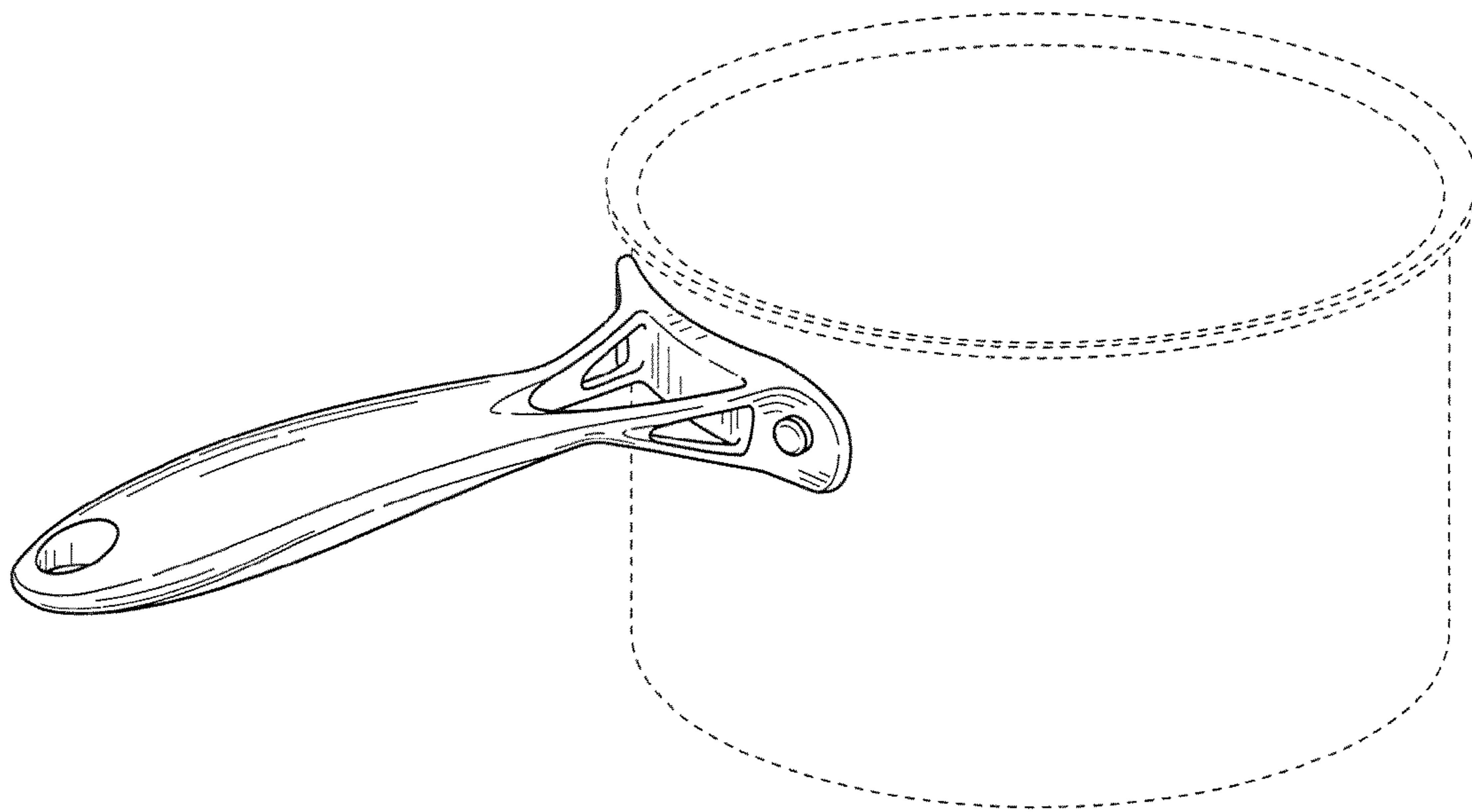


FIG. 1

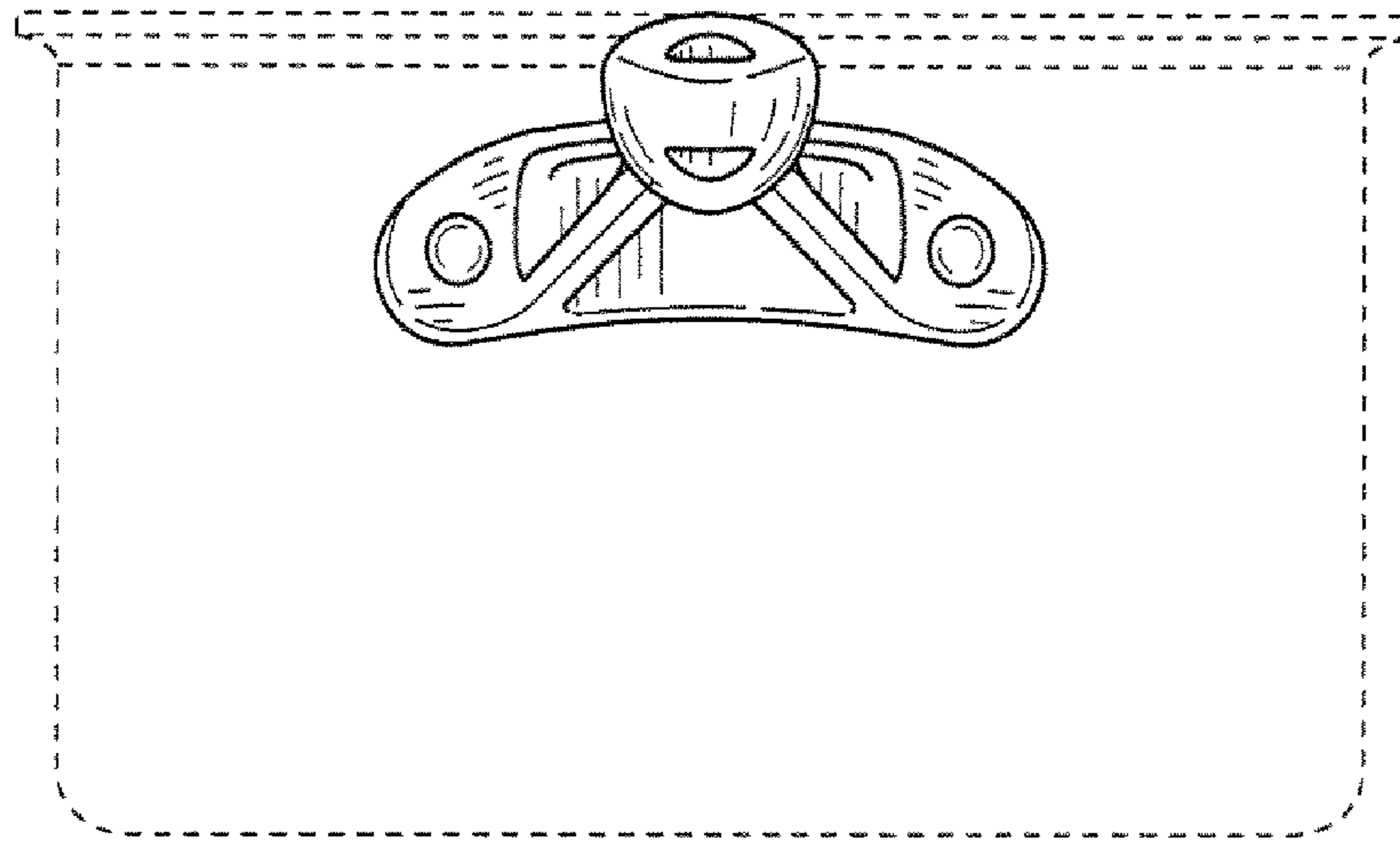


FIG. 2

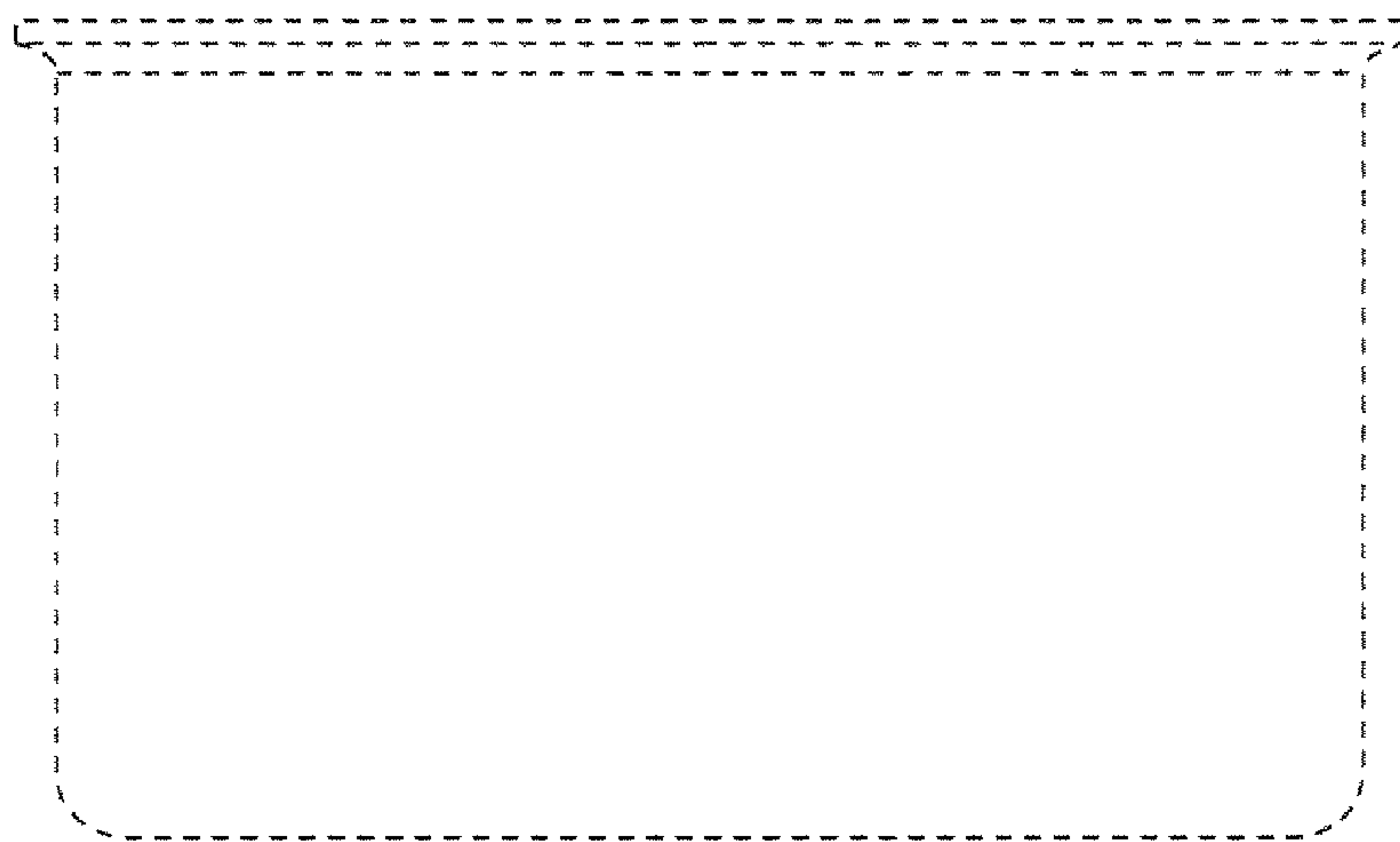


FIG. 3

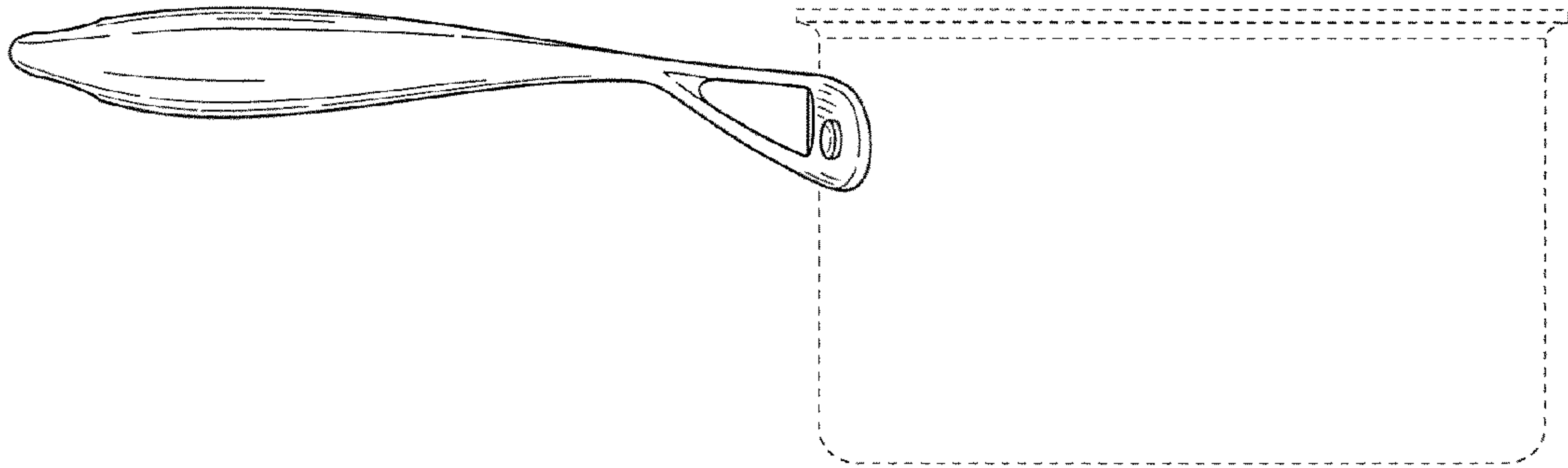


FIG. 4

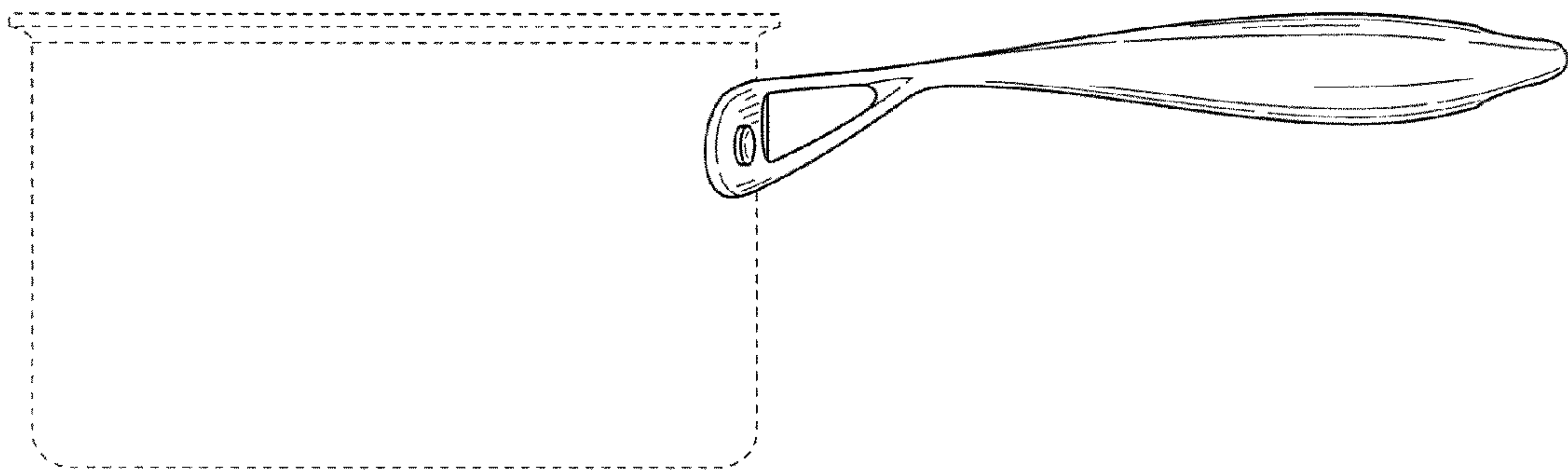


FIG. 5

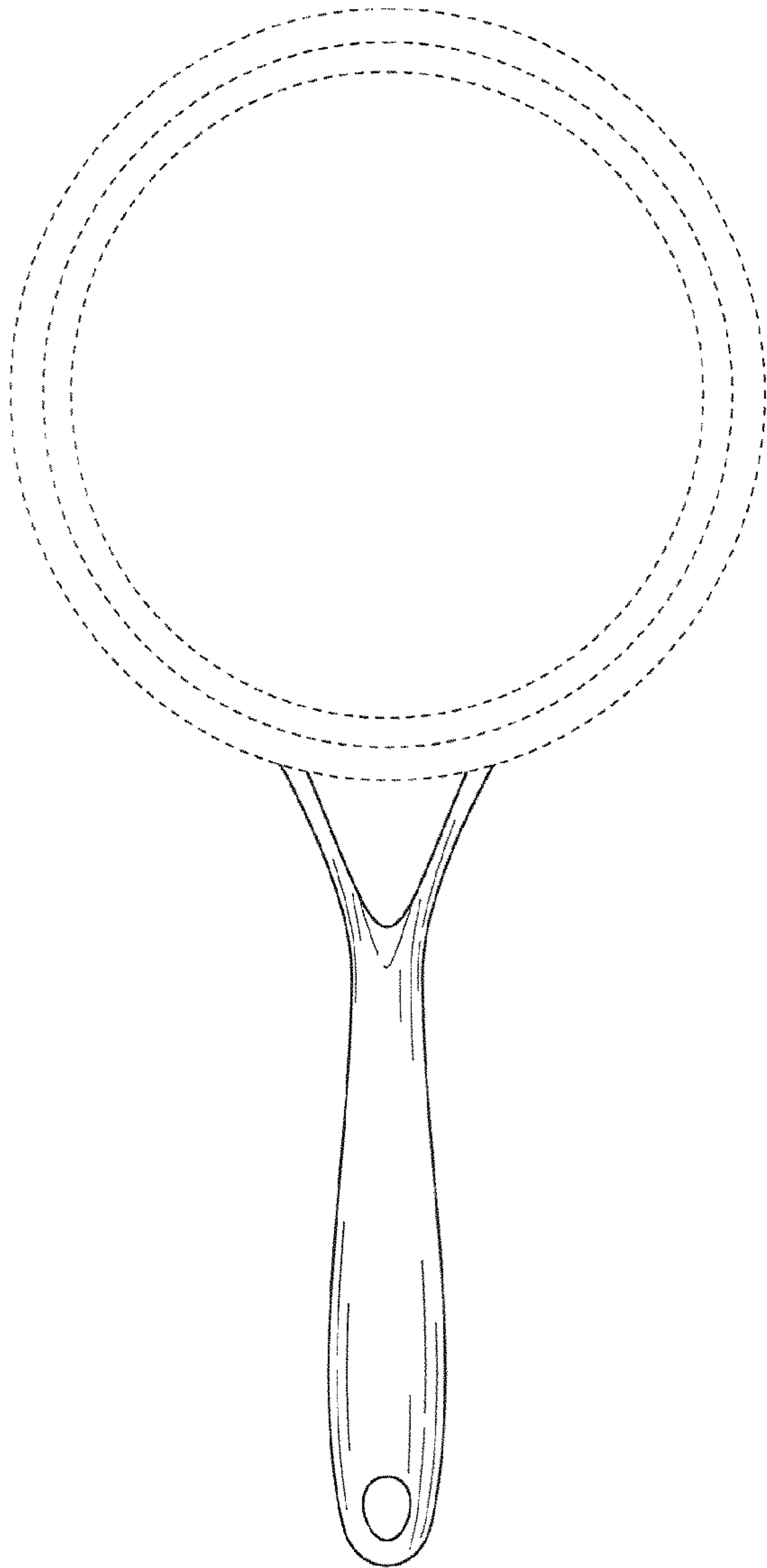


FIG. 6

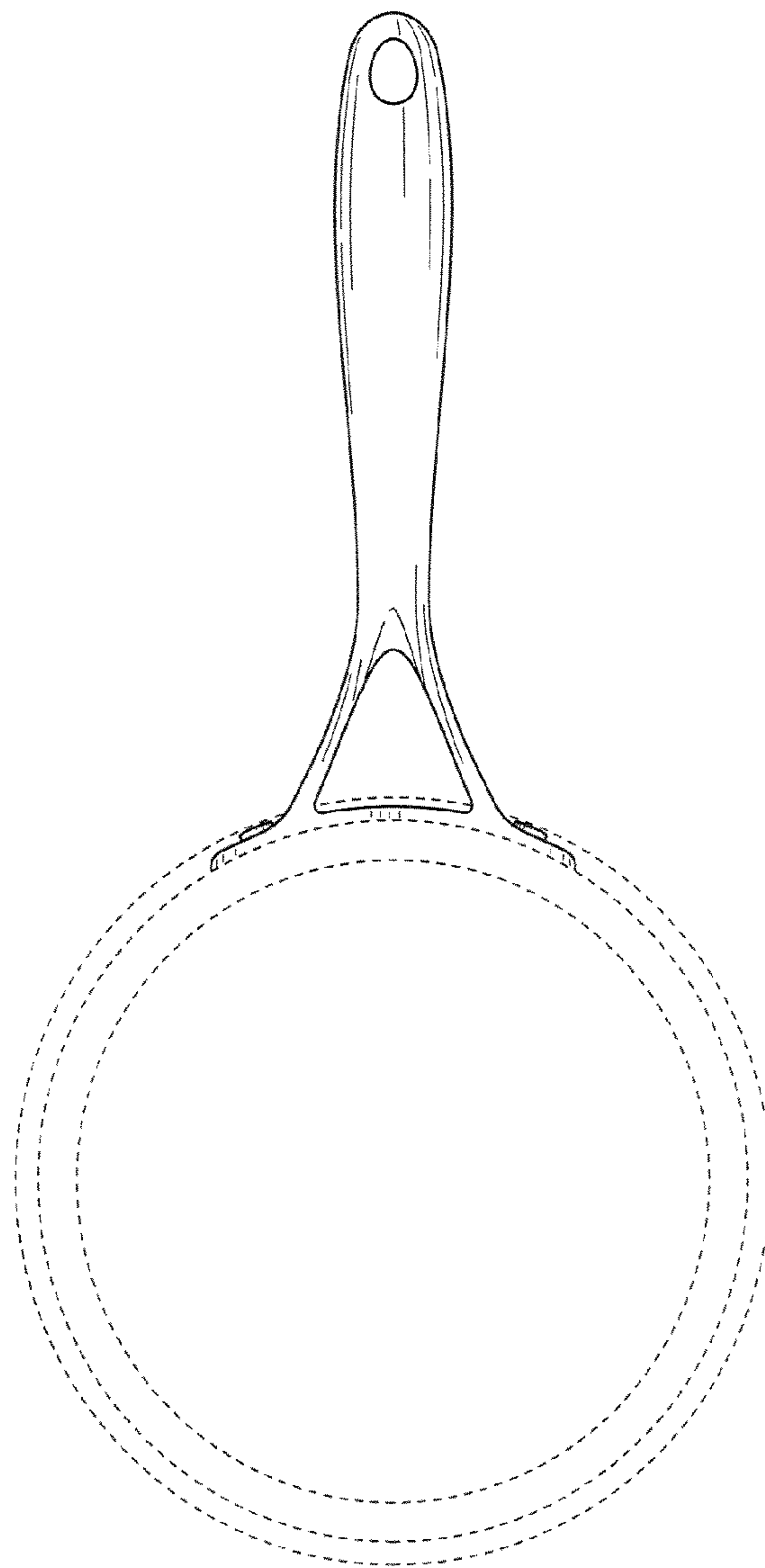


FIG. 7