

US00D664388S

(12) **United States Design Patent**
Park et al.

(10) **Patent No.:** **US D664,388 S**
(45) **Date of Patent:** **** Jul. 31, 2012**

(54) **OVEN RANGE**

(56) **References Cited**

(75) Inventors: **So Jin Park**, Gyeonggi-do (KR);
Hyoung Jun Lee, Seoul (KR); **Jung**
Kyu Son, Gyeonggi-do (KR); **Mi Young**
Kim, Seoul (KR)

U.S. PATENT DOCUMENTS

D538,581 S * 3/2007 Lee et al. D7/340
D552,920 S * 10/2007 Chung et al. D7/348
D580,698 S * 11/2008 Kim et al. D7/348
D627,593 S * 11/2010 Lee et al. D7/340

* cited by examiner

(73) Assignee: **LG Electronics Inc.**, Seoul (KR)

Primary Examiner — Catheri Oliver

(**) Term: **14 Years**

(74) *Attorney, Agent, or Firm* — Birch, Stewart, Kolasch &
Birch, LLP

(21) Appl. No.: **29/375,389**

(57) **CLAIM**

The ornamental design for an oven range, as shown and described.

(22) Filed: **Sep. 22, 2010**

DESCRIPTION

(30) **Foreign Application Priority Data**

Mar. 24, 2010 (KR) 30-2010-0012856

FIG. 1 is a top, front, perspective view of an oven range showing our new design;
FIG. 2 is a front view thereof;
FIG. 3 is a rear view thereof;
FIG. 4 is a left side view thereof;
FIG. 5 is a right side view thereof;
FIG. 6 is a top view thereof; and,
FIG. 7 is a bottom view thereof.

(51) **LOC (9) Cl.** **07-02**

(52) **U.S. Cl.** **D7/348**

(58) **Field of Classification Search** D7/339-348,
D7/402-408, 350.1-351; 126/19 R, 39 B,
126/39 C, 39 R, 273 R, 50

See application file for complete search history.

1 Claim, 4 Drawing Sheets

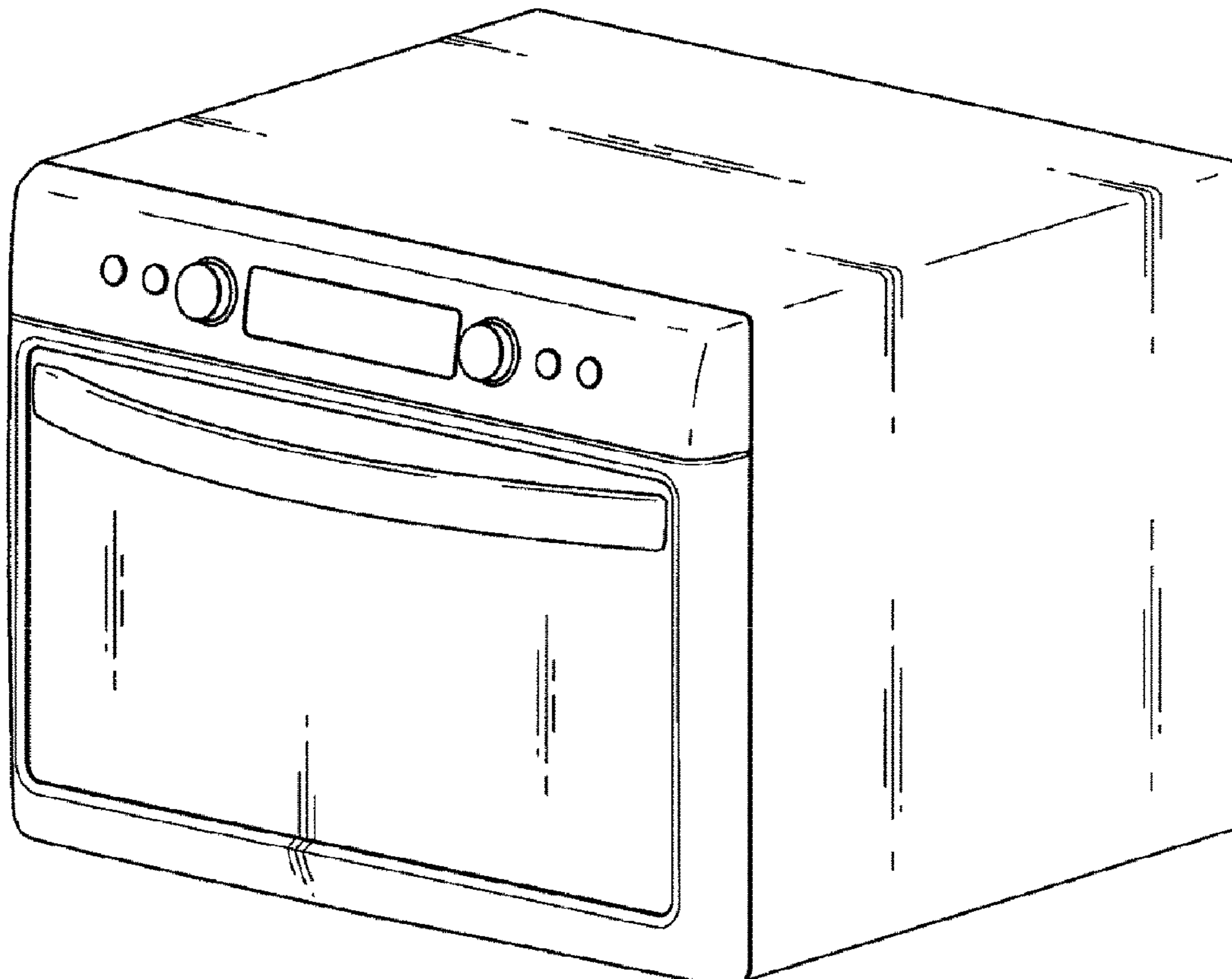


FIG. 1

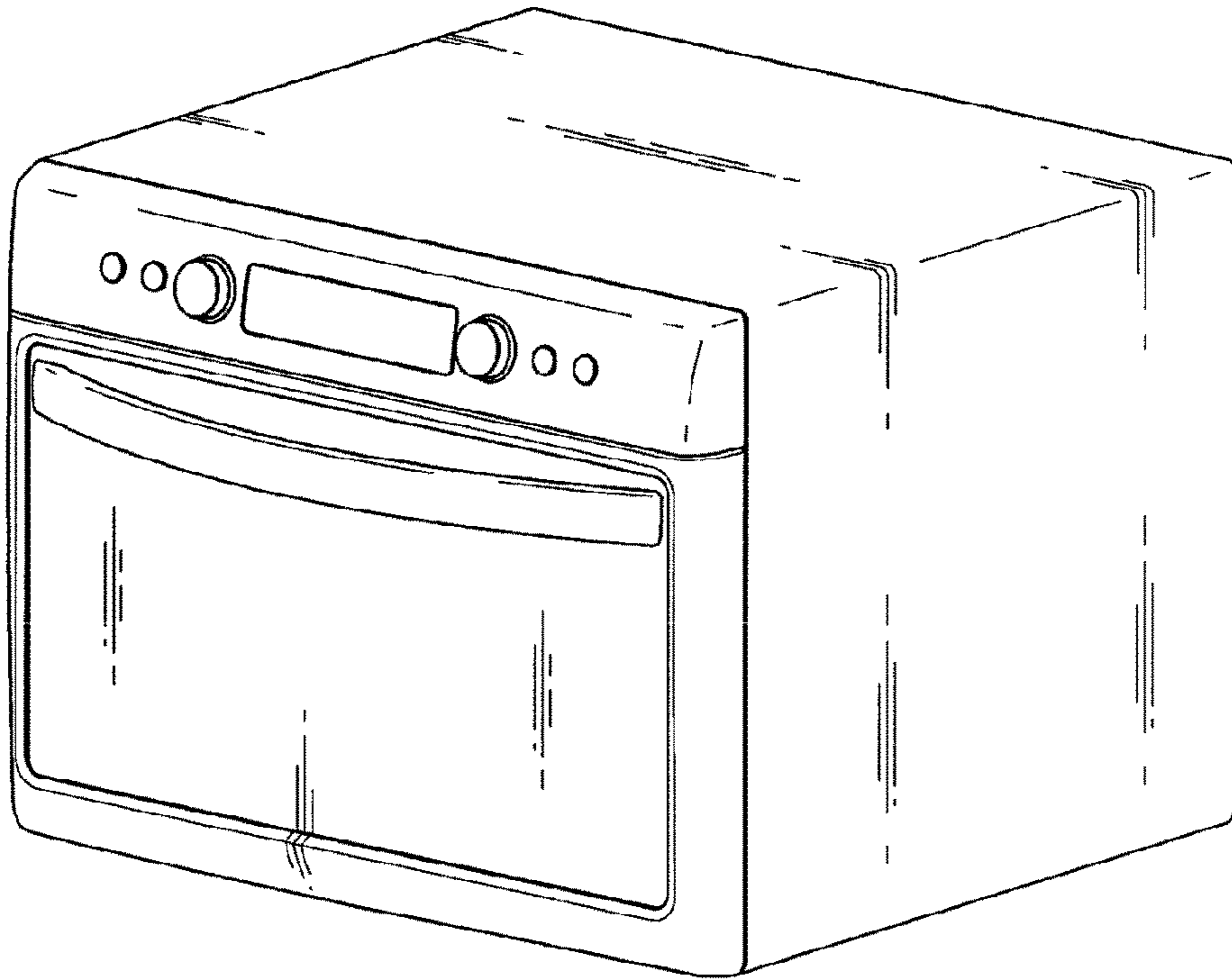


FIG. 2

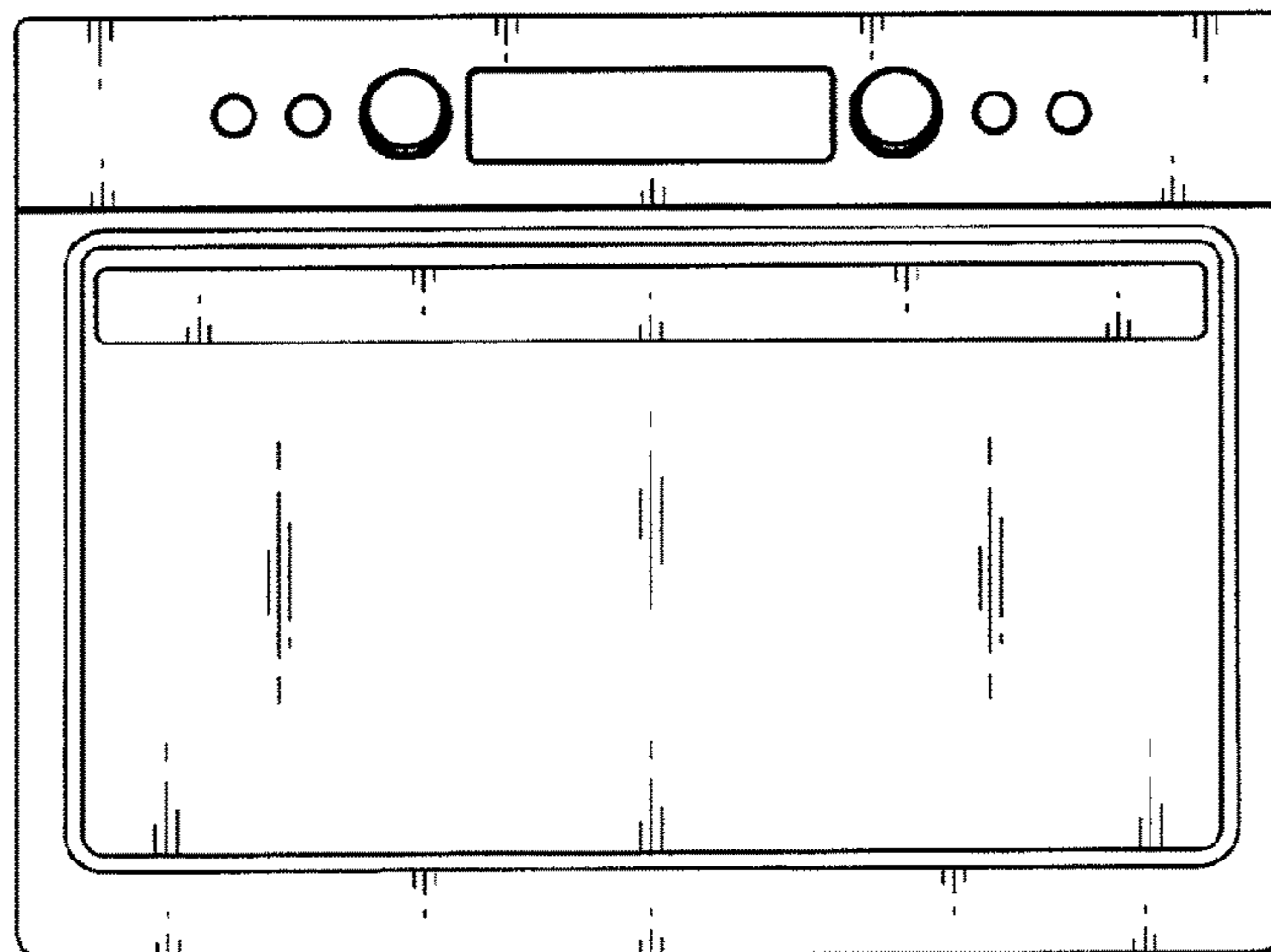


FIG. 3

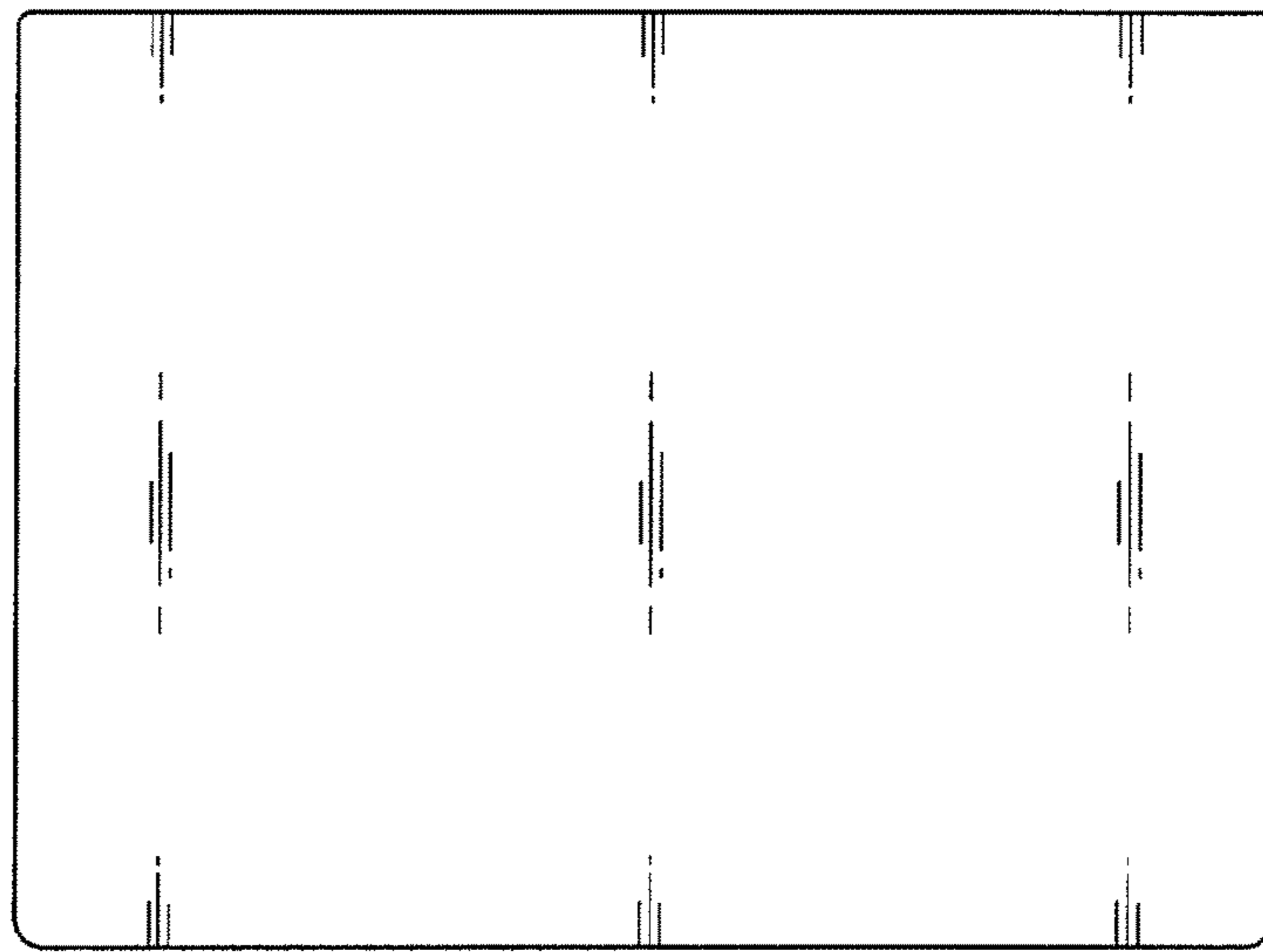


FIG. 4

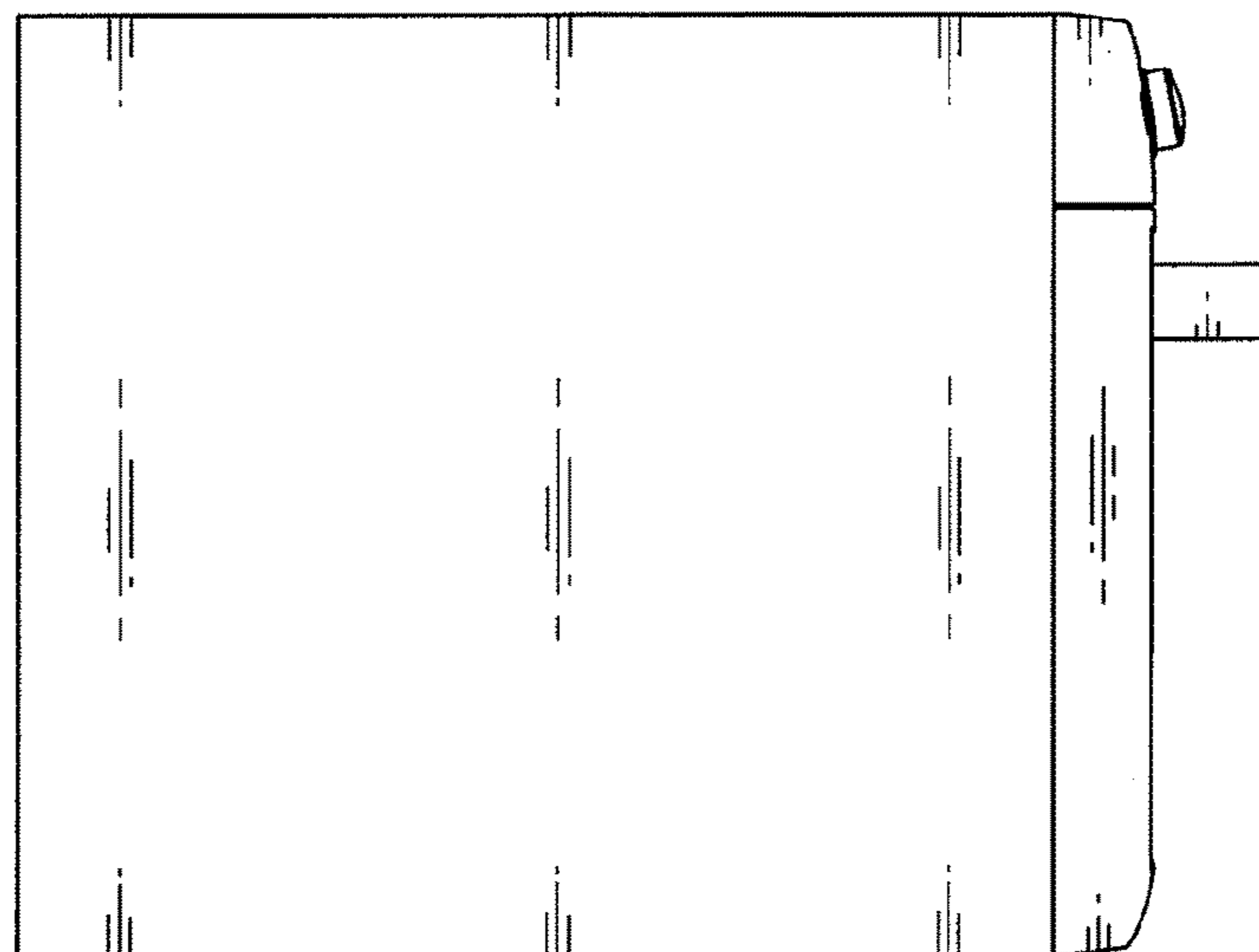


FIG. 5

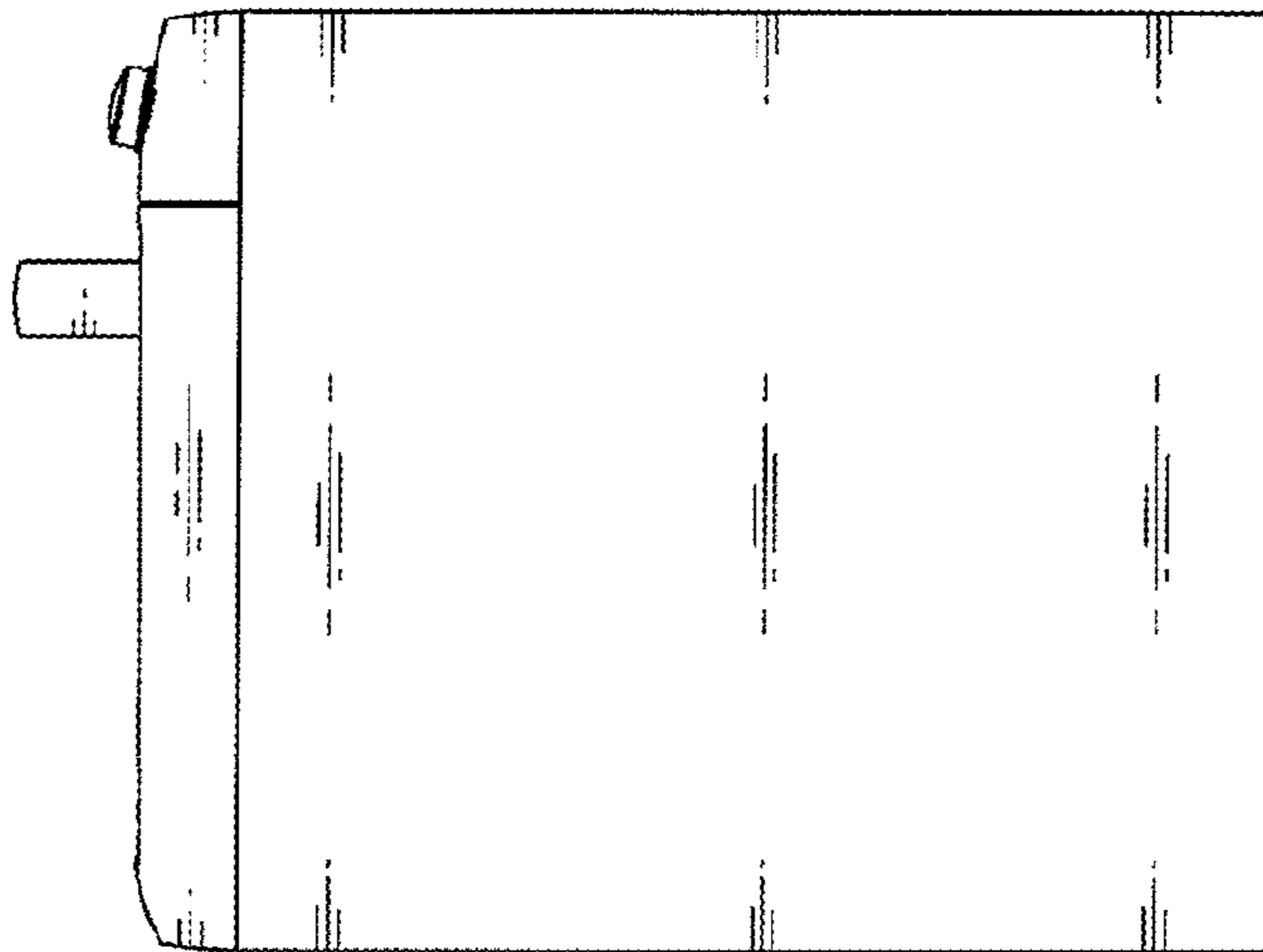


FIG. 6

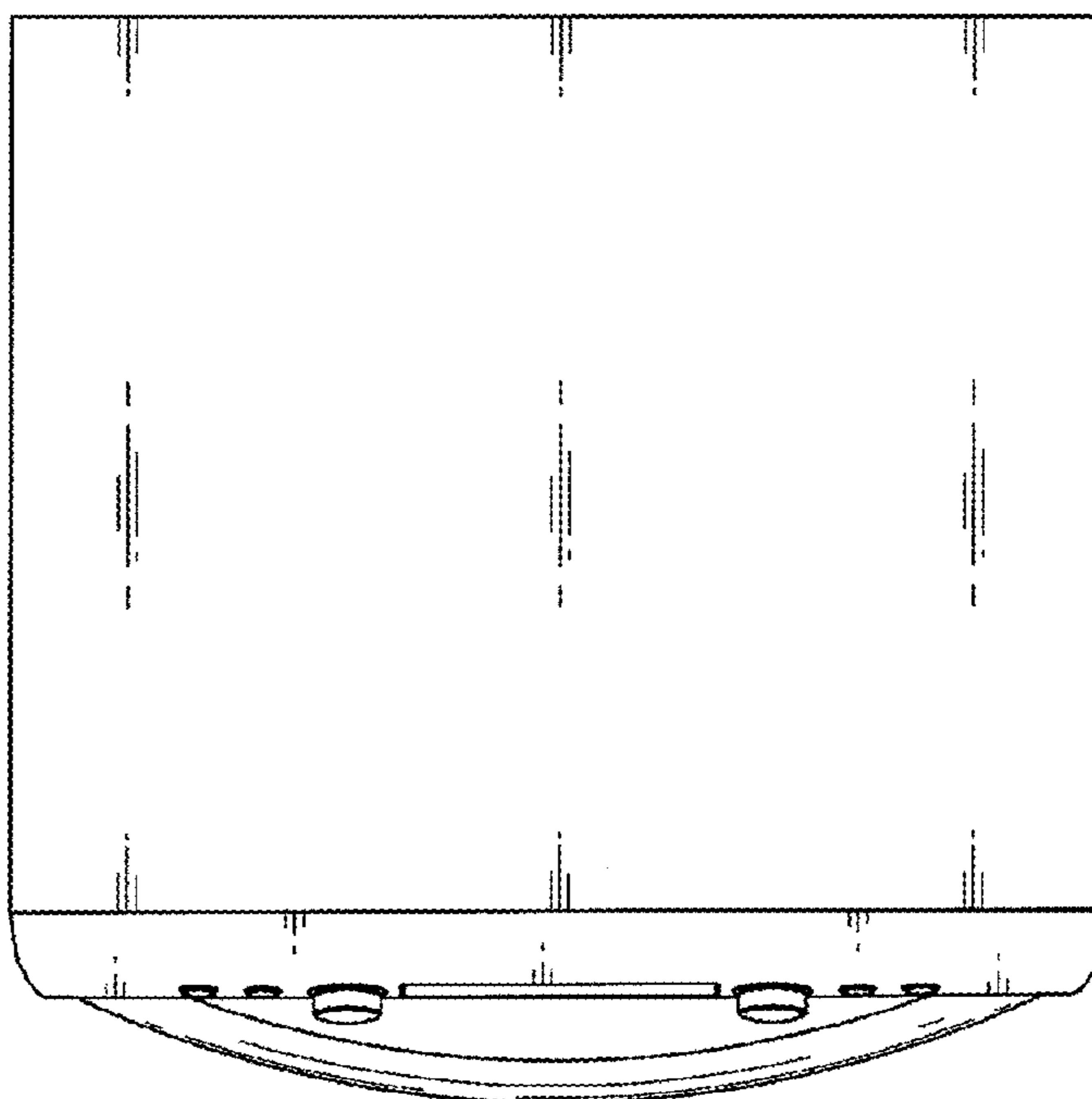


FIG. 7

