



US00D664387S

(12) **United States Design Patent**  
**Kennedy**

(10) **Patent No.:** **US D664,387 S**

(45) **Date of Patent:** **\*\* Jul. 31, 2012**

(54) **DECORATIVE COVER FOR DISPENSER**

(75) Inventor: **James Kennedy**, Dublin, OH (US)

(73) Assignee: **Next Future, LLC**, Dublin, OH (US)

(\*\*) Term: **14 Years**

(21) Appl. No.: **29/394,406**

(22) Filed: **Jun. 16, 2011**

(51) **LOC (9) Cl.** ..... **23-02**

(52) **U.S. Cl.** ..... **D6/542**

(58) **Field of Classification Search** ..... D6/542-545;  
D9/682, 686, 688-691, 516, 549, 448, 435;  
221/282; 222/14, 173, 146.3, 628, 251, 181.1,  
222/181.3; D23/242, 250, 252, 254  
See application file for complete search history.

(56) **References Cited**

**U.S. PATENT DOCUMENTS**

D431,139 S *	9/2000	Chen	.....	D6/524
D444,853 S *	7/2001	Lord	.....	D23/252
D468,405 S *	1/2003	McKeone	.....	D23/254
D476,721 S *	7/2003	Ouyoung	.....	D23/242
D477,386 S *	7/2003	Schonherr et al.	.....	D23/250
D481,569 S *	11/2003	Cummings	.....	D6/524
D496,262 S *	9/2004	Dretzka	.....	D6/542

D512,129 S *	11/2005	Gilbert	.....	D23/250
D533,642 S *	12/2006	Gilbert et al.	.....	D6/524
D644,469 S *	9/2011	Kraemer	.....	D6/542

\* cited by examiner

*Primary Examiner* — Brian N Vinson

(74) *Attorney, Agent, or Firm* — Hahn, Loeser & Parks LLP;  
Rex W. Miller, II

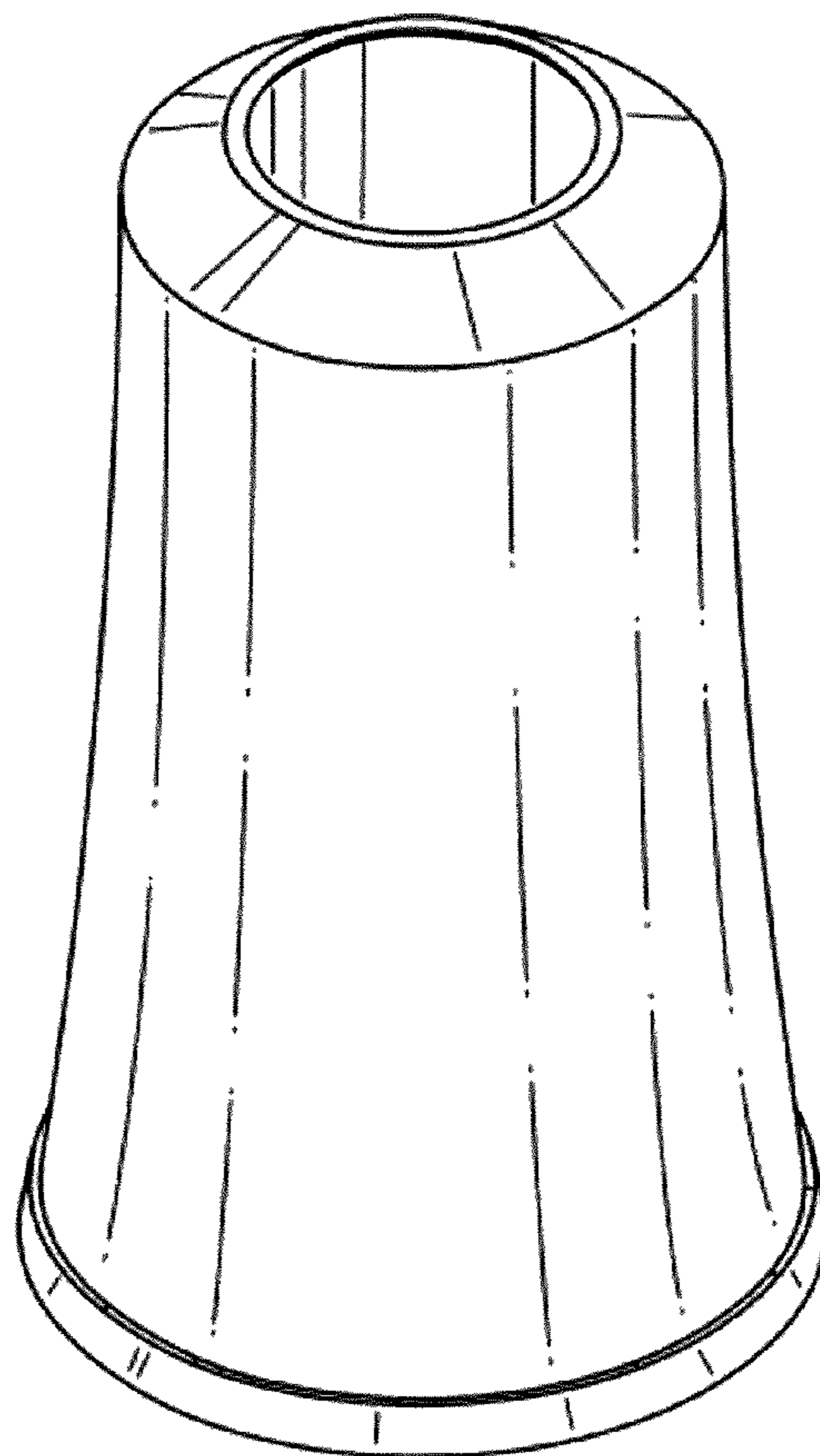
(57) **CLAIM**

The ornamental design for a decorative cover for a dispenser,  
as shown and described.

**DESCRIPTION**

FIG. 1 is a top and front perspective view thereof of a decorative cover for a dispenser showing my new design; FIG. 2 is an additional top and front perspective view thereof, with the broken-line disclosure of a pump being for illustrative purposes only and forming no part of the claimed design; FIG. 3 is a front elevational view thereof; FIG. 4 is a rear elevational view thereof; FIG. 5 is a top plan view thereof; FIG. 6 is a bottom plan view thereof; and, FIG. 7 is a vertical cross-sectional view thereof taken through the center of the article.

**1 Claim, 5 Drawing Sheets**



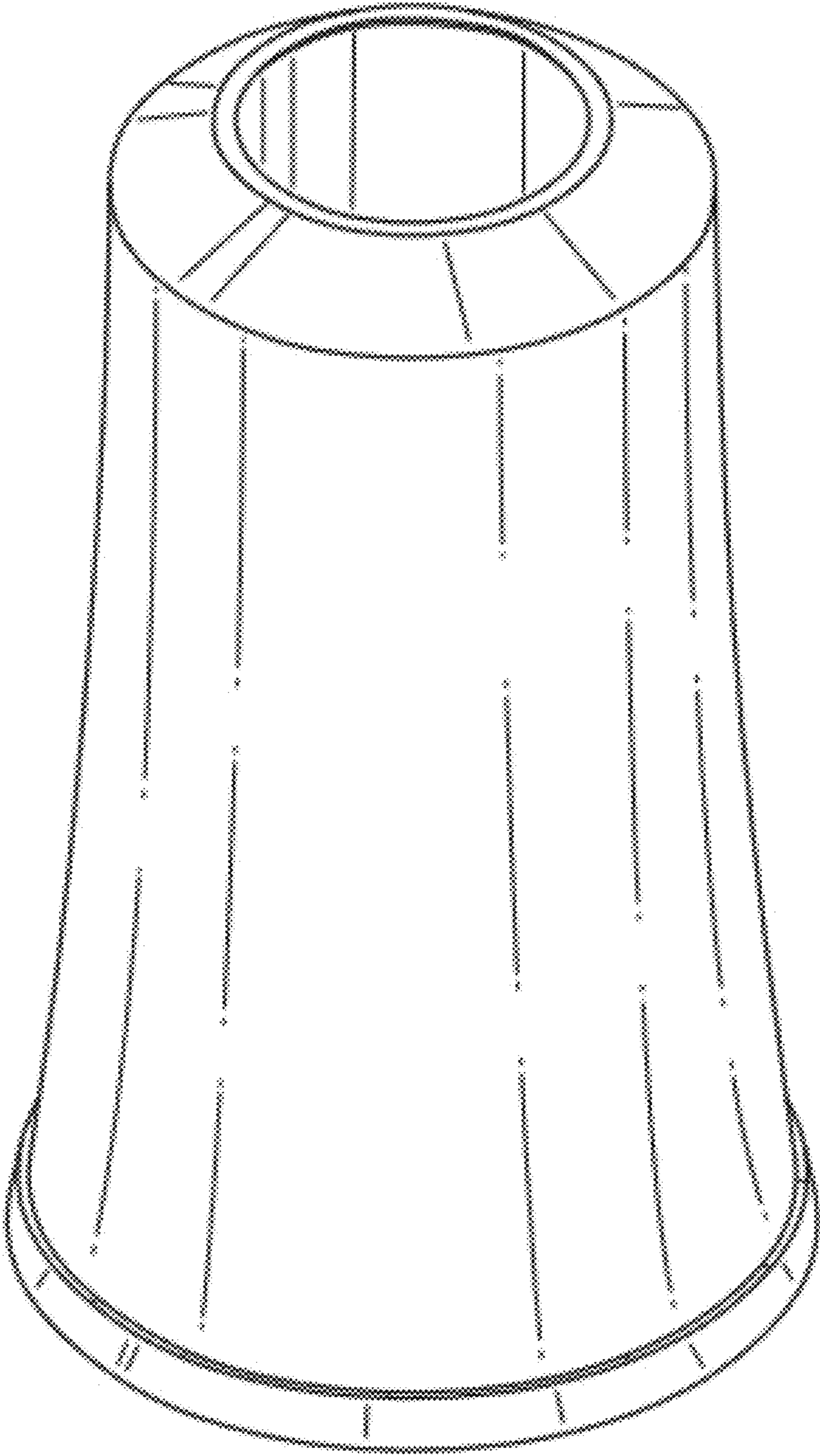


Fig. 1

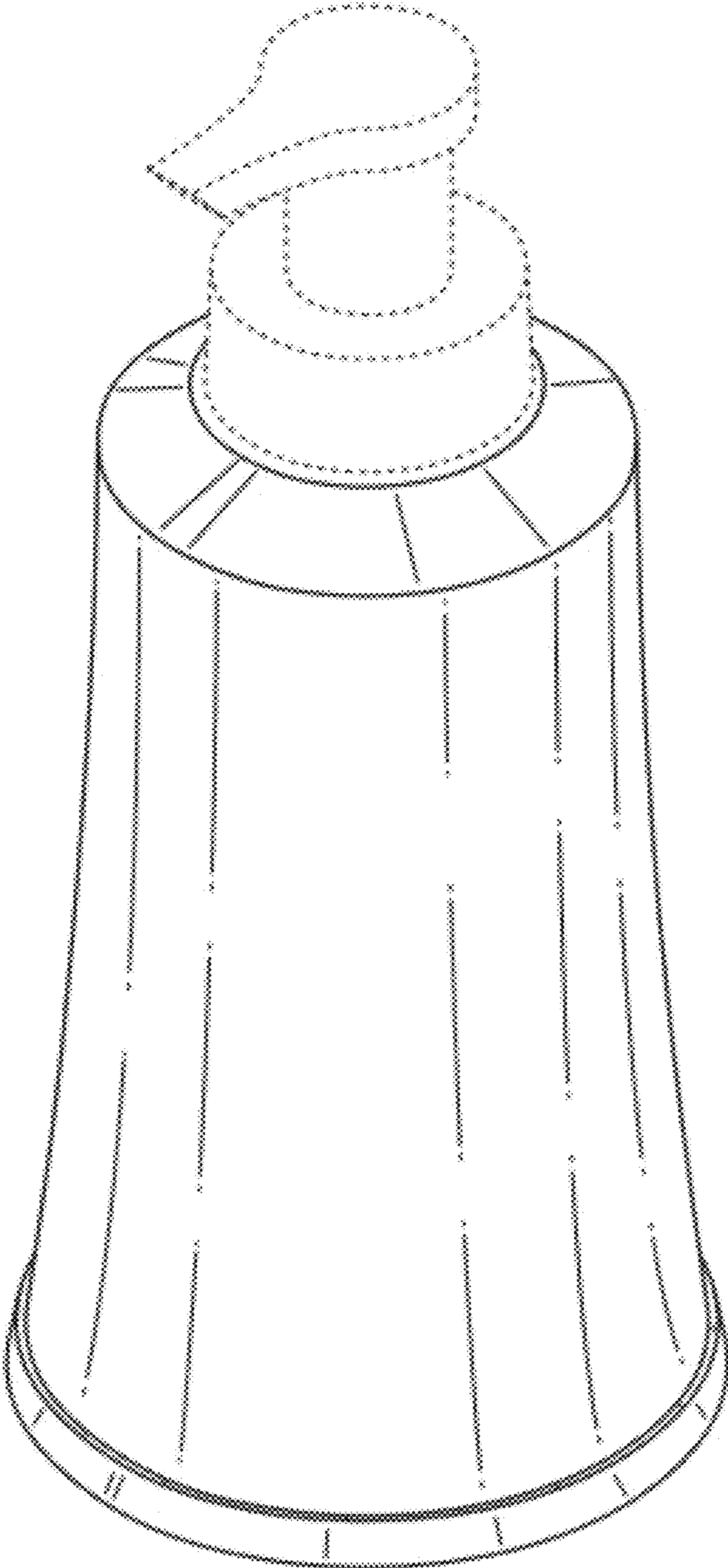


Fig. 2

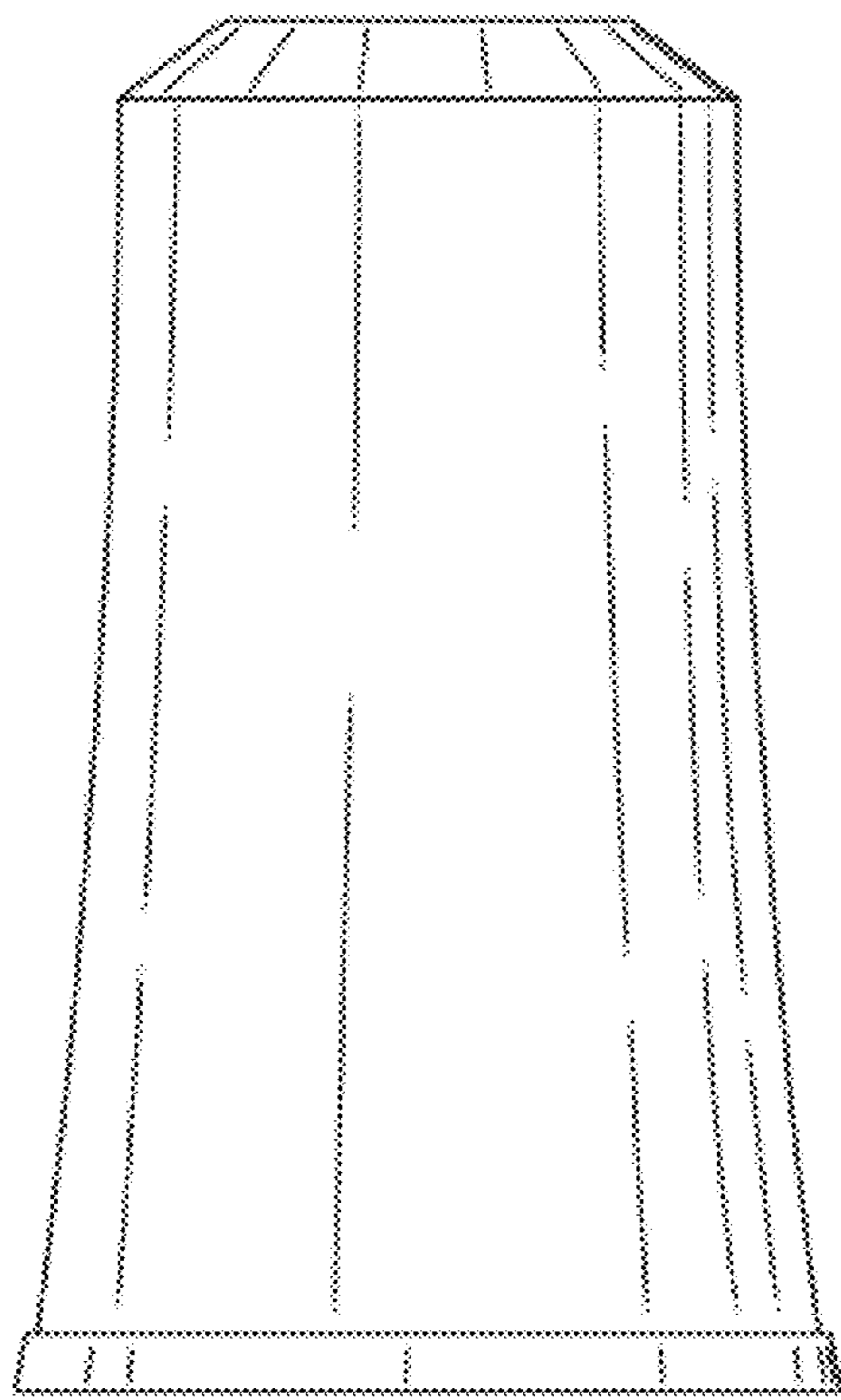


Fig. 3

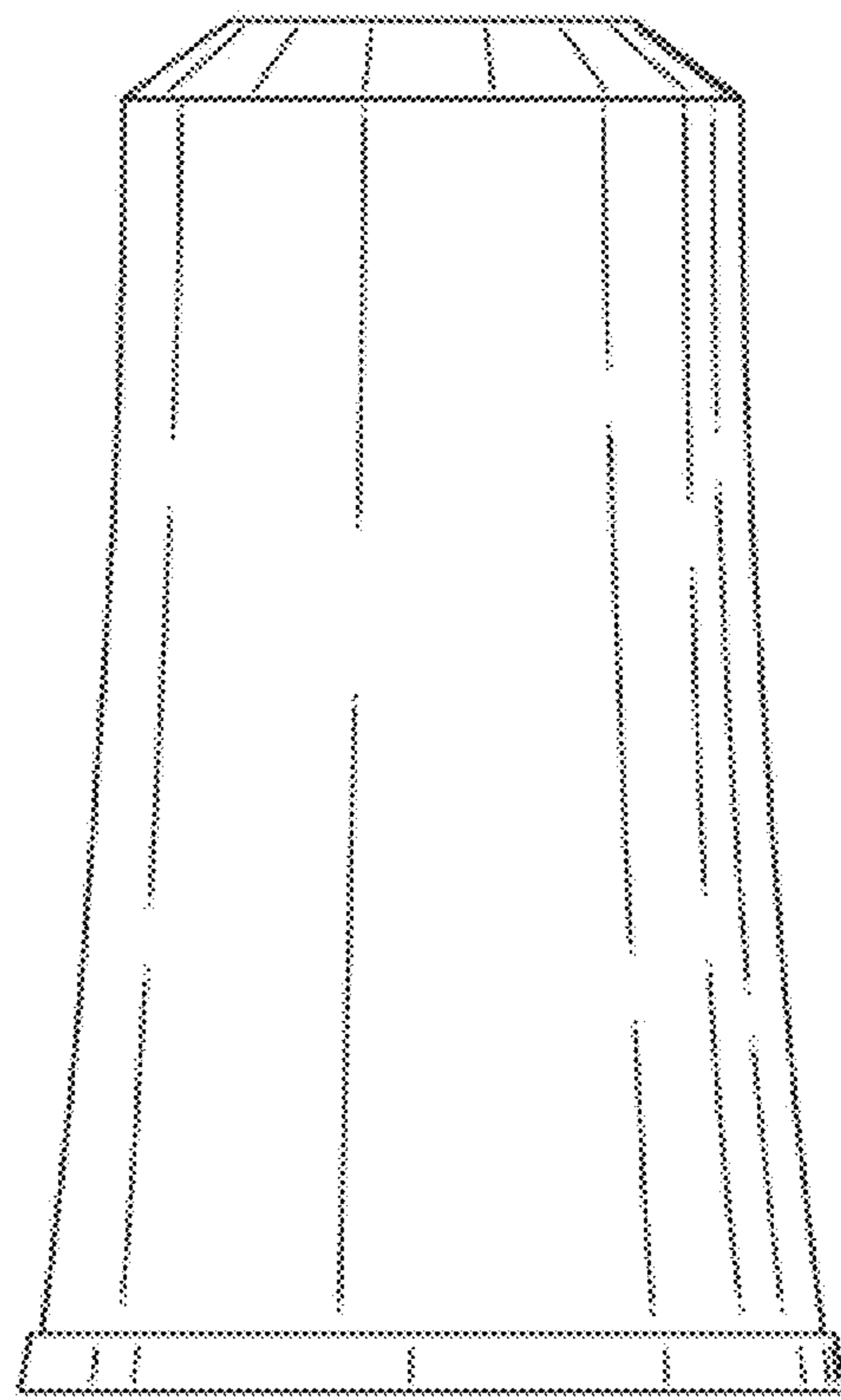


Fig. 4



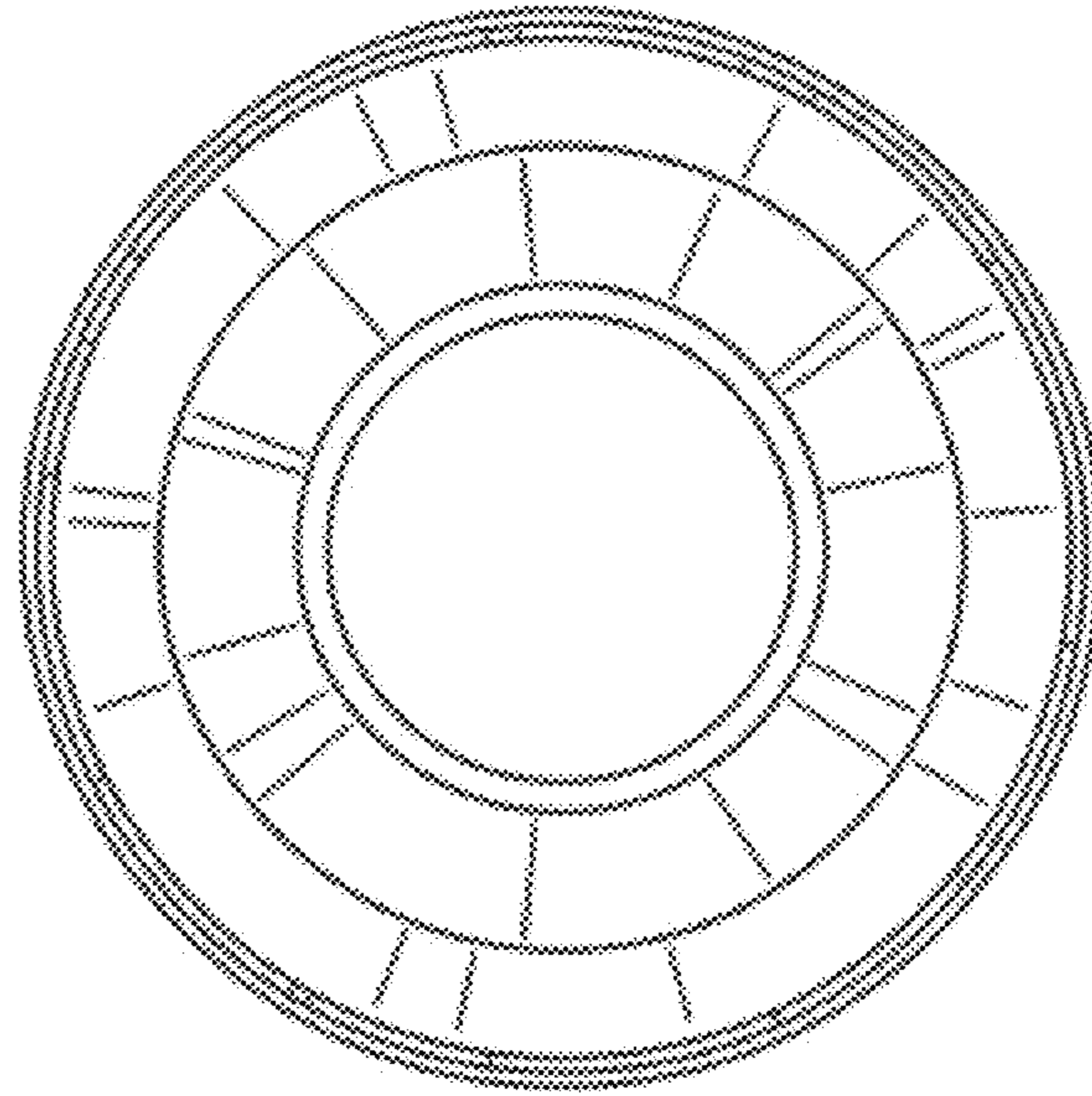


Fig. 5

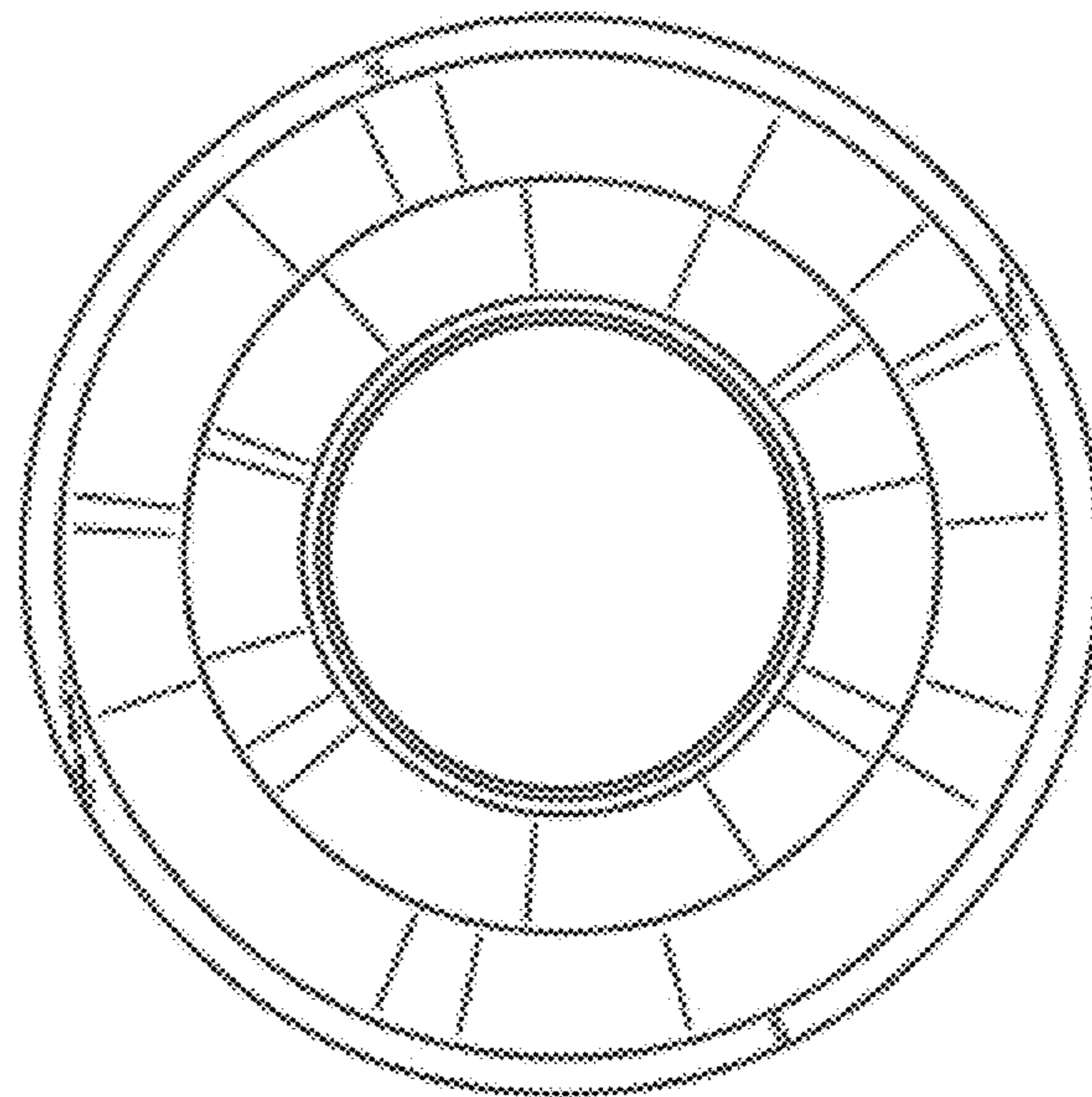


Fig. 6

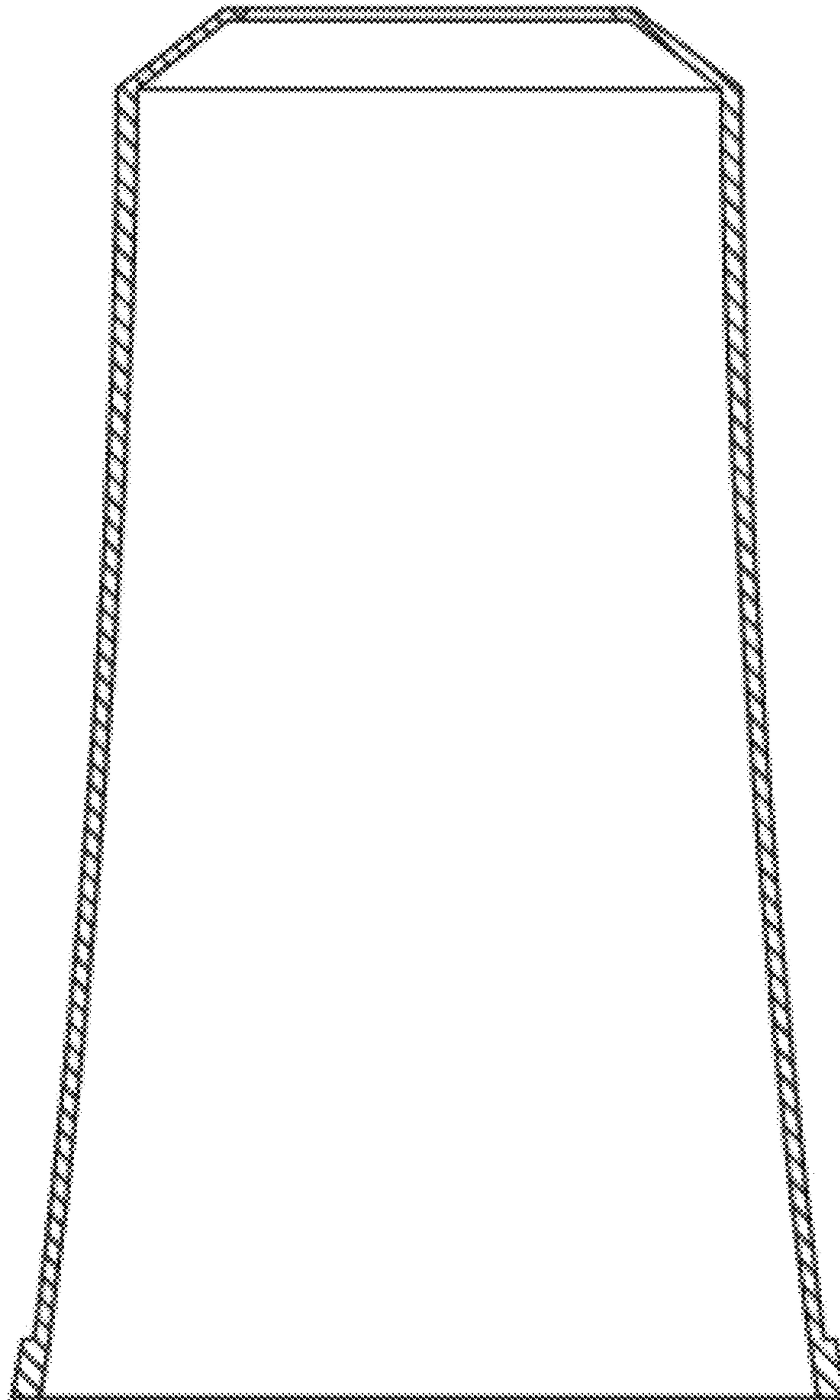


Fig. 7