



US00D664386S

(12) **United States Design Patent**
Ohnishi et al.

(10) **Patent No.:** **US D664,386 S**

(45) **Date of Patent:** **** Jul. 31, 2012**

(54) **DIAPER PAIL REFUSE FILM CASSETTE**

(75) Inventors: **Ichiro Ohnishi**, Nara (JP); **Hiroshi Nakayama**, Nara (JP)

(73) Assignee: **Aprica Children's Products Inc.**, Osaka (JP)

(**) Term: **14 Years**

(21) Appl. No.: **29/365,965**

(22) Filed: **Jul. 16, 2010**

(30) **Foreign Application Priority Data**

Jan. 26, 2010 (JP) 2010-001724

(51) **LOC (9) Cl.** **20-02**

(52) **U.S. Cl.** **D6/515**

(58) **Field of Classification Search** D6/515,
D6/518; D34/10; 206/390, 397; 220/908,
220/909, 403, 404, 407

See application file for complete search history.

(56) **References Cited**

U.S. PATENT DOCUMENTS

4,349,123 A * 9/1982 Yang 220/908
4,721,226 A * 1/1988 Yurko 220/908

5,115,935 A * 5/1992 Lemongelli 220/908
D391,725 S * 3/1998 Triglia D34/10
D427,825 S * 7/2000 Mooney D6/515
D614,897 S * 5/2010 Morand D6/515

* cited by examiner

Primary Examiner — Brian N Vinson

(74) *Attorney, Agent, or Firm* — Lempia Summerfield Katz LLC

(57) **CLAIM**

The ornamental design for a diaper pail refuse film cassette, as shown and described.

DESCRIPTION

FIG. 1 is a front view of a diaper pail refuse film cassette showing our new design;
FIG. 2 is a rear view thereof;
FIG. 3 is a top plan view thereof;
FIG. 4 is a bottom plan view thereof;
FIG. 5 is a right side view thereof;
FIG. 6 is a left side view thereof;
FIG. 7 is a sectional view thereof taken along the line A-A;
FIG. 8 is a perspective view thereof; and,
FIG. 9 is an additional perspective view thereof, with the broken line disclosure of refuse film being for illustrative purposes only and forming no part of the claimed design.

1 Claim, 6 Drawing Sheets

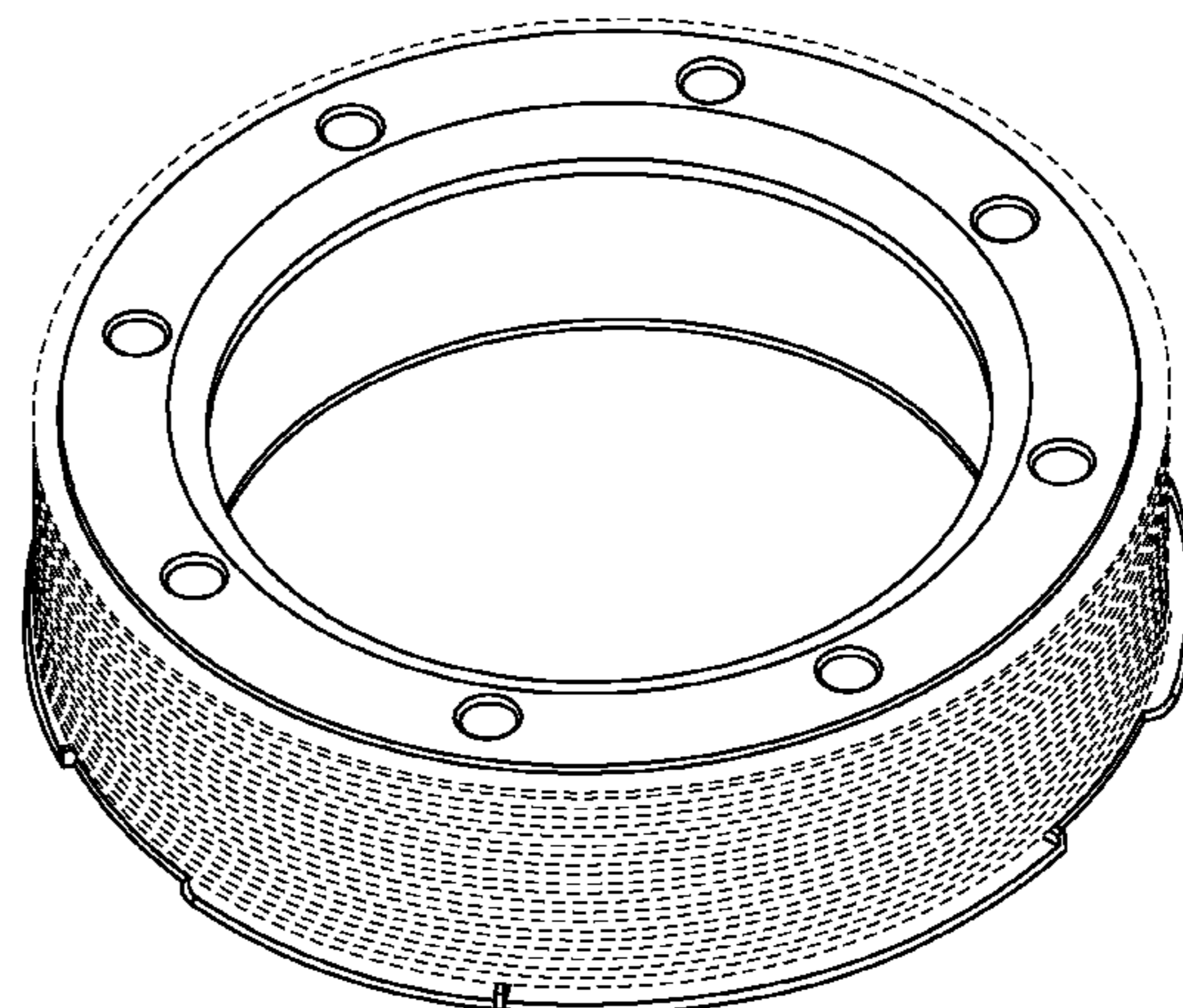
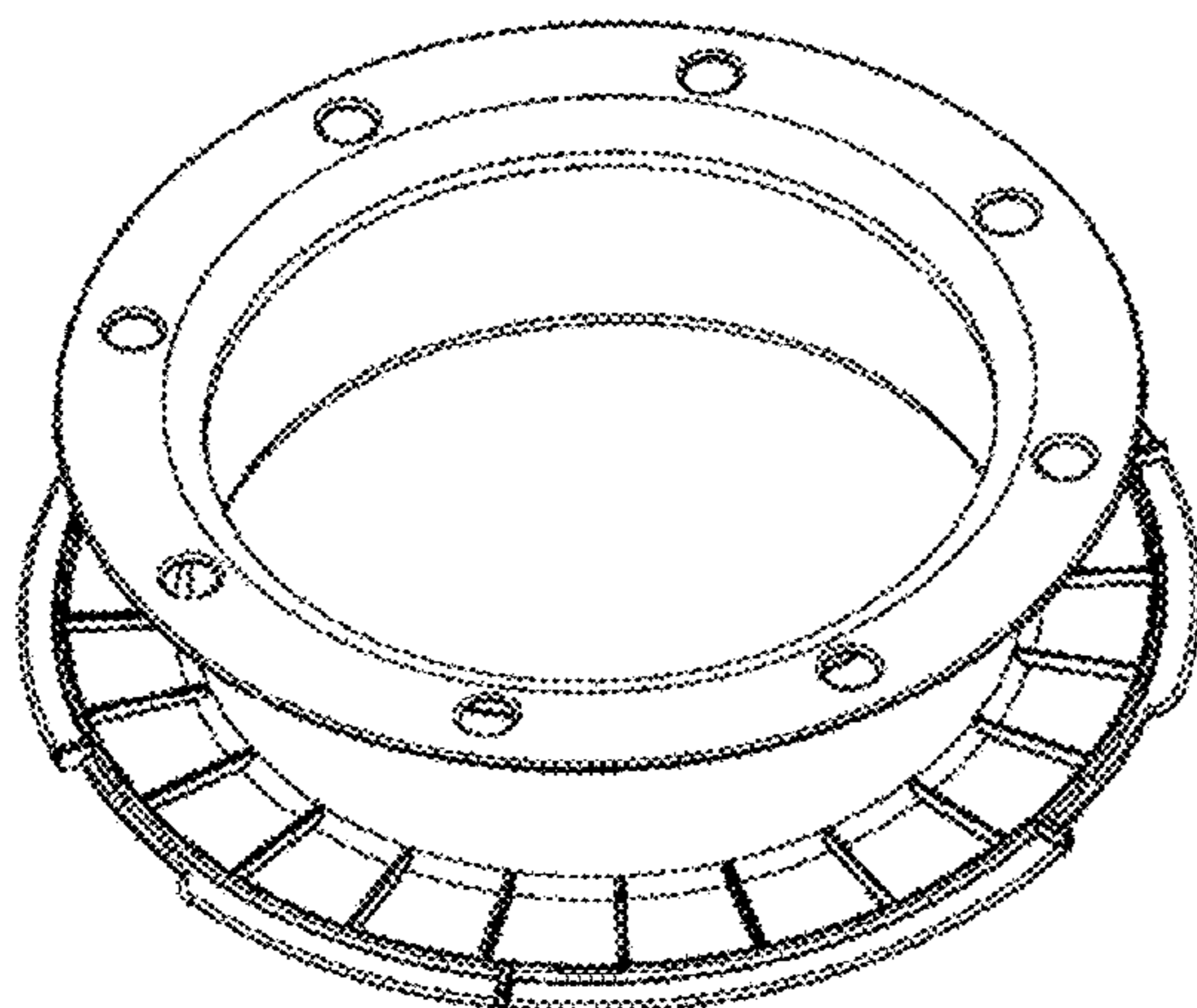


FIG. 1

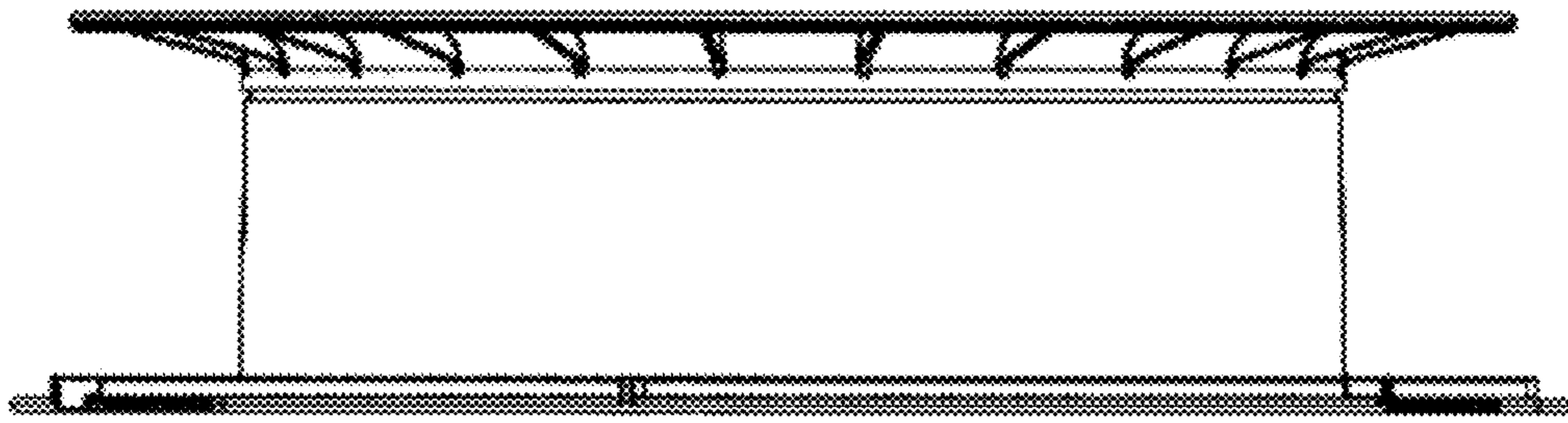


FIG. 2

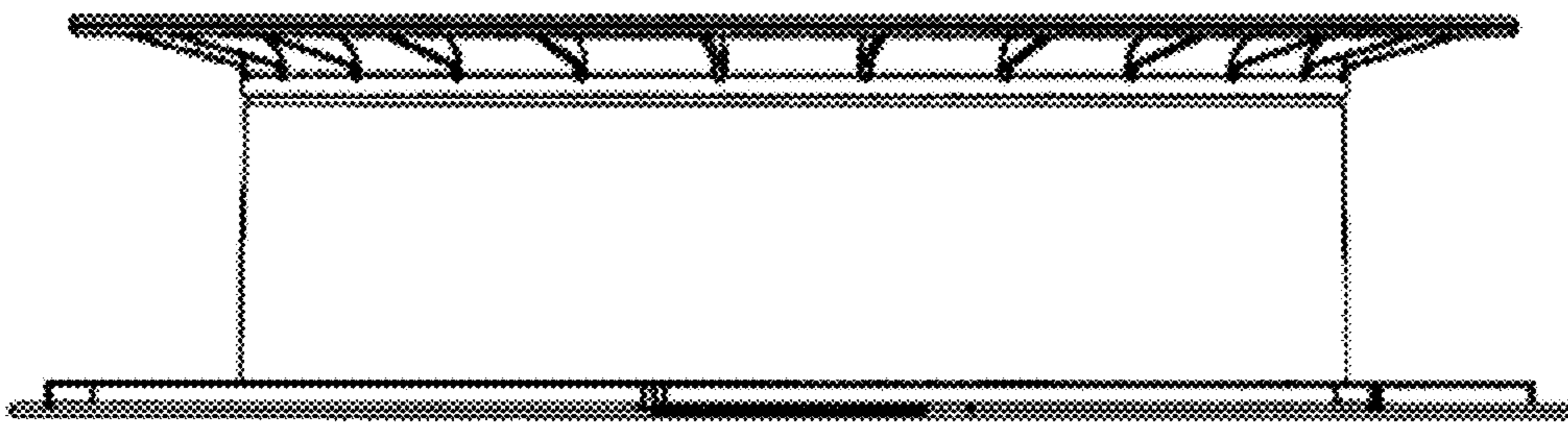


FIG. 3

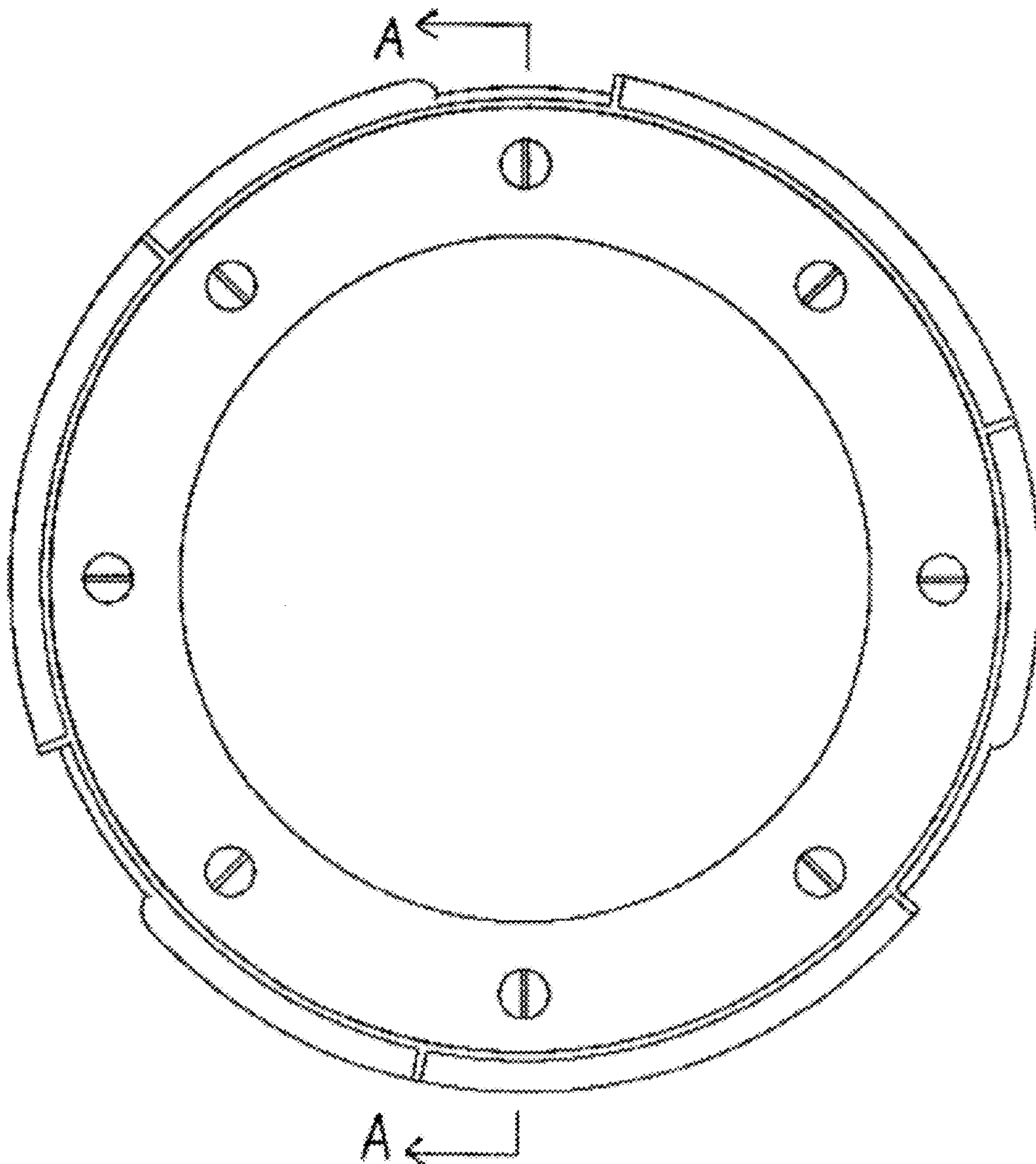


FIG. 4

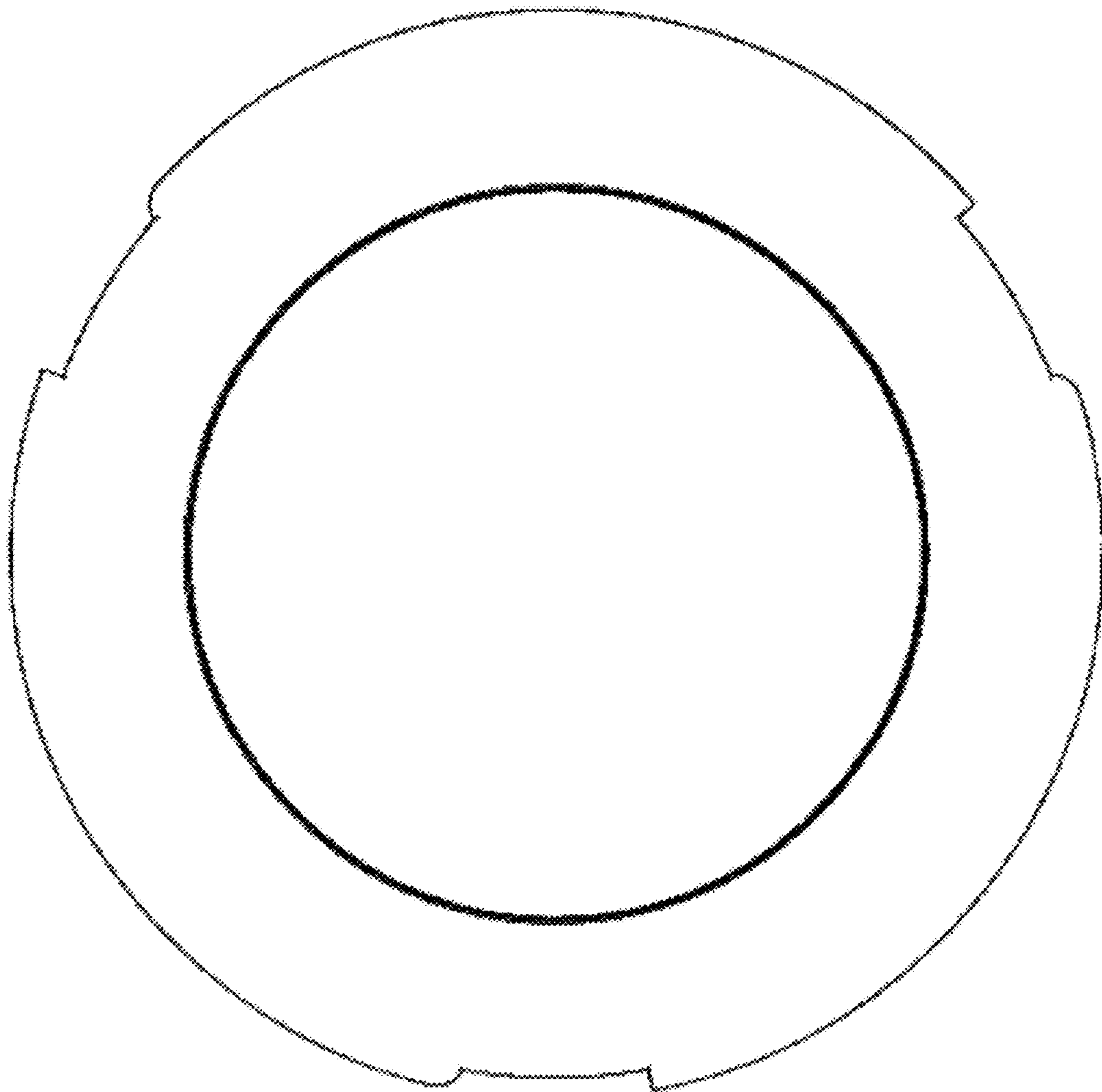


FIG. 5

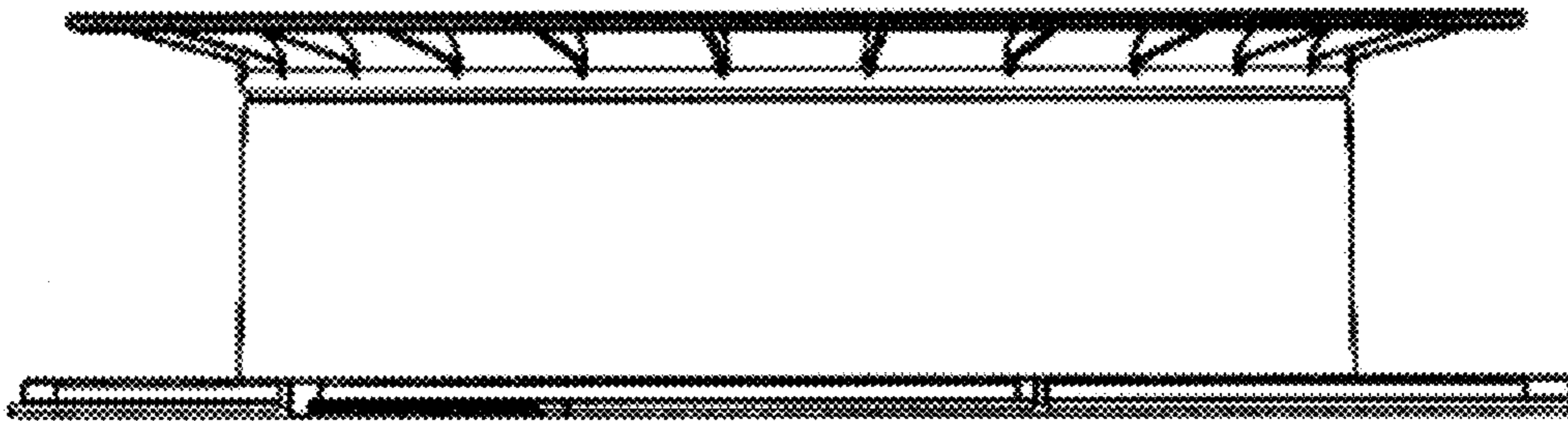


FIG. 6

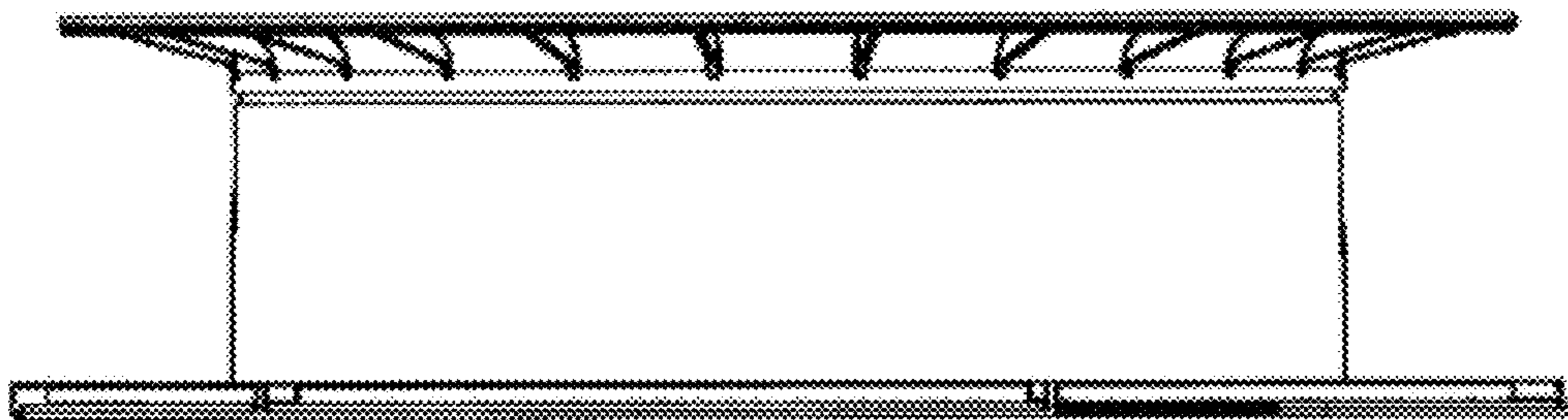


FIG. 7

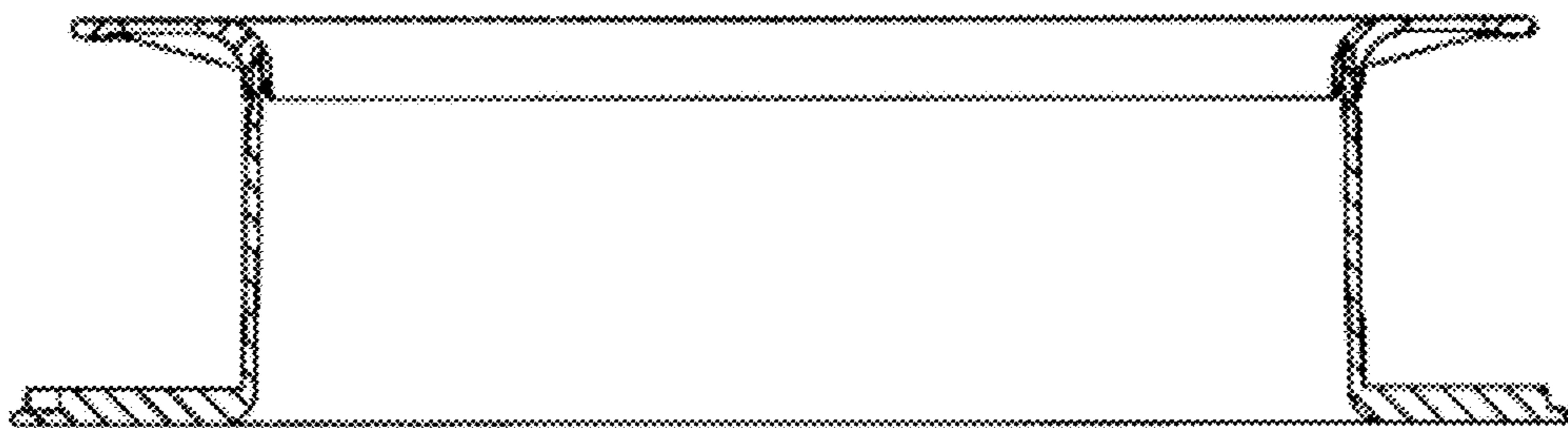


FIG. 8

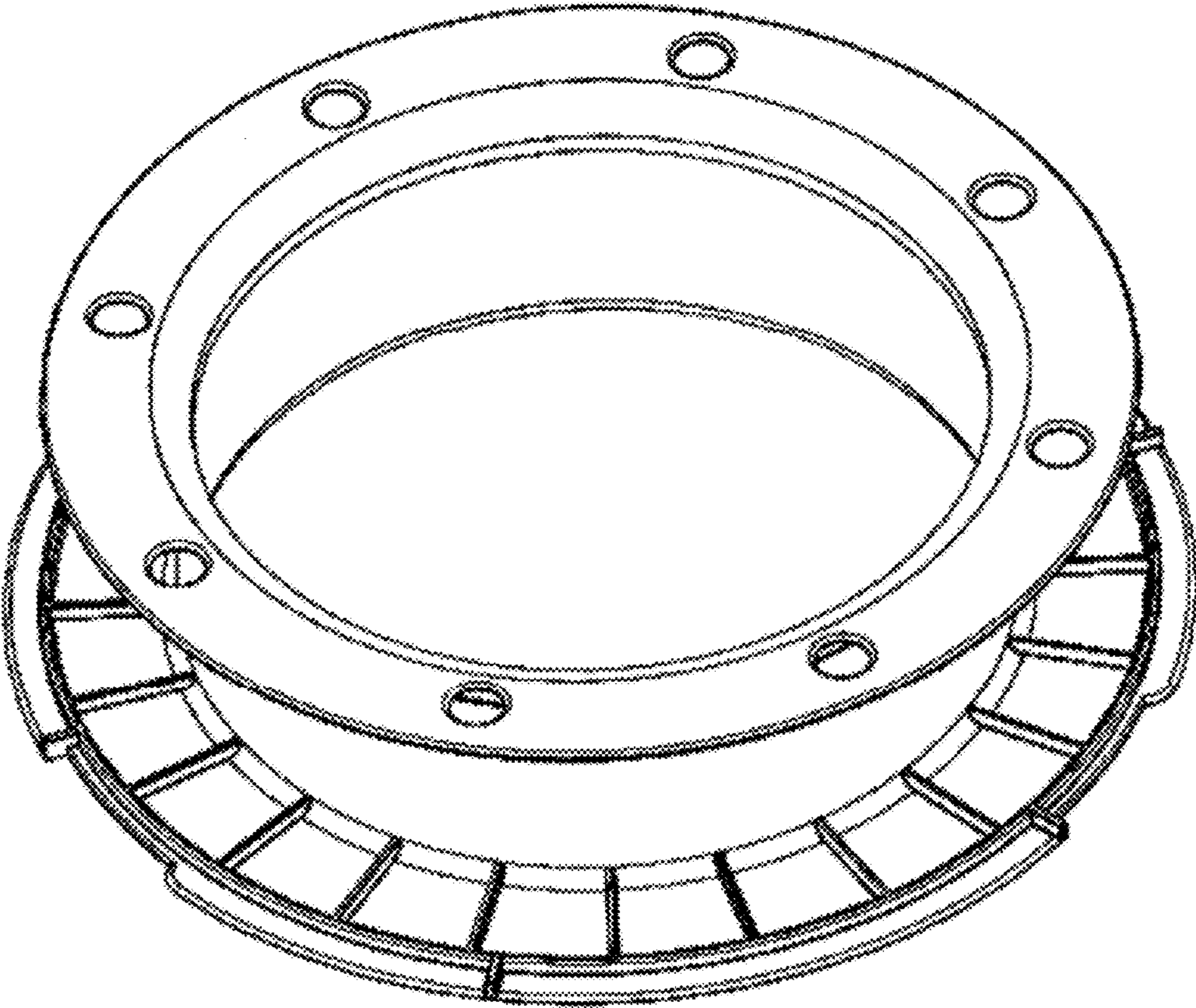


FIG. 9

