

US00D664383S

(12) **United States Design Patent**
Gustafson et al.

(10) **Patent No.:** **US D664,383 S**
(45) **Date of Patent:** **** Jul. 31, 2012**

(54) **SEAT**

(75) Inventors: **Kathryn Lynn Gustafson**, Vashon Island, WA (US); **Rodrigo Carlos Abela**, Arlington, VA (US); **Stacy Day Vayanos**, Seattle, WA (US); **Kelly Majewski**, Los Angeles, CA (US)

(73) Assignee: **Gustafson Guthrie Nichol Ltd.**, Seattle, WA (US)

(**) Term: **14 Years**

(21) Appl. No.: **29/411,785**

(22) Filed: **Jan. 26, 2012**

(51) **LOC (9) Cl.** **06-06**

(52) **U.S. Cl.** **D6/500**

(58) **Field of Classification Search** D6/334-336, D6/360, 364, 365, 366, 367, 374, 376, 379, D6/380, 499, 500-502; 297/344.18, 411.4, 297/411.41, 423.1, 423.18, 451.4, 451.5, 297/452.2

See application file for complete search history.

(56) **References Cited**

U.S. PATENT DOCUMENTS

D266,291 S * 9/1982 Leffler et al. D6/366
D356,696 S * 3/1995 Arthur, Jr. D6/376

D487,982 S * 4/2004 Lee D6/360
D533,375 S * 12/2006 Muller D6/500
D574,643 S * 8/2008 Petruccelli D6/500
D610,377 S * 2/2010 Kita D6/500
D648,553 S * 11/2011 Wilson et al. D6/366
D657,583 S * 4/2012 Wilson et al. D6/366

* cited by examiner

Primary Examiner — Mimoso De

(74) *Attorney, Agent, or Firm* — Heslin Rothenberg Farley & Mesiti P.C.

(57) **CLAIM**

The ornamental design for the seat, as shown and described.

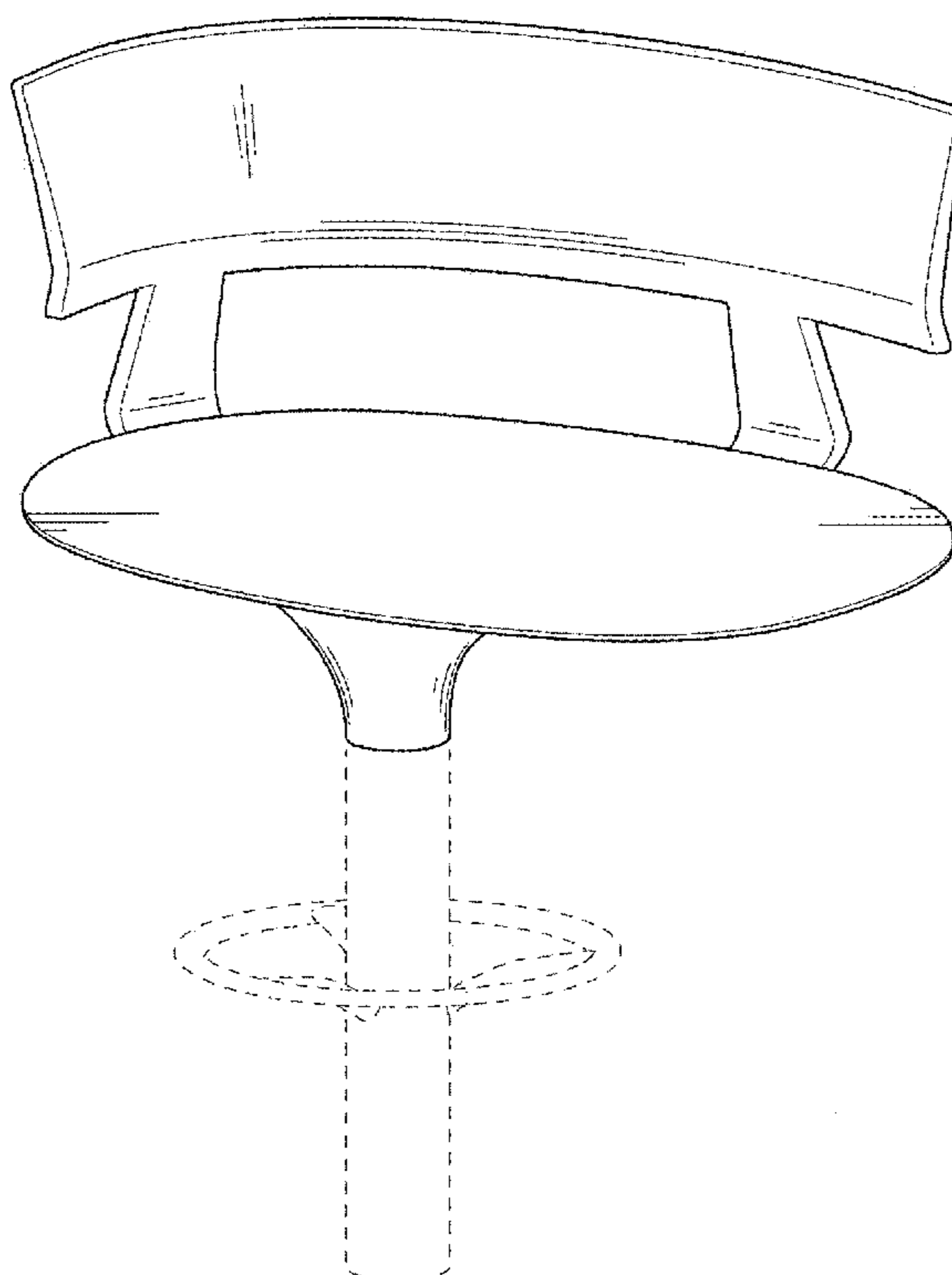
DESCRIPTION

This application is related to commonly assigned, concurrently filed applications Ser. No. 29/411,779 and Ser. No. 29/411,782.

FIG. 1 is a perspective view of the seat of the present design; FIG. 2 is a front elevation view thereof; FIG. 3 is a right-side elevation view thereof; FIG. 4 is a rear elevation view thereof; FIG. 5 is a left-side elevation view thereof; FIG. 6 is a top plan view thereof; and, FIG. 7 is another perspective view thereof with additional unclaimed environmental structure.

The broken lines illustrate environmental structure and form no part of the claimed design.

1 Claim, 7 Drawing Sheets



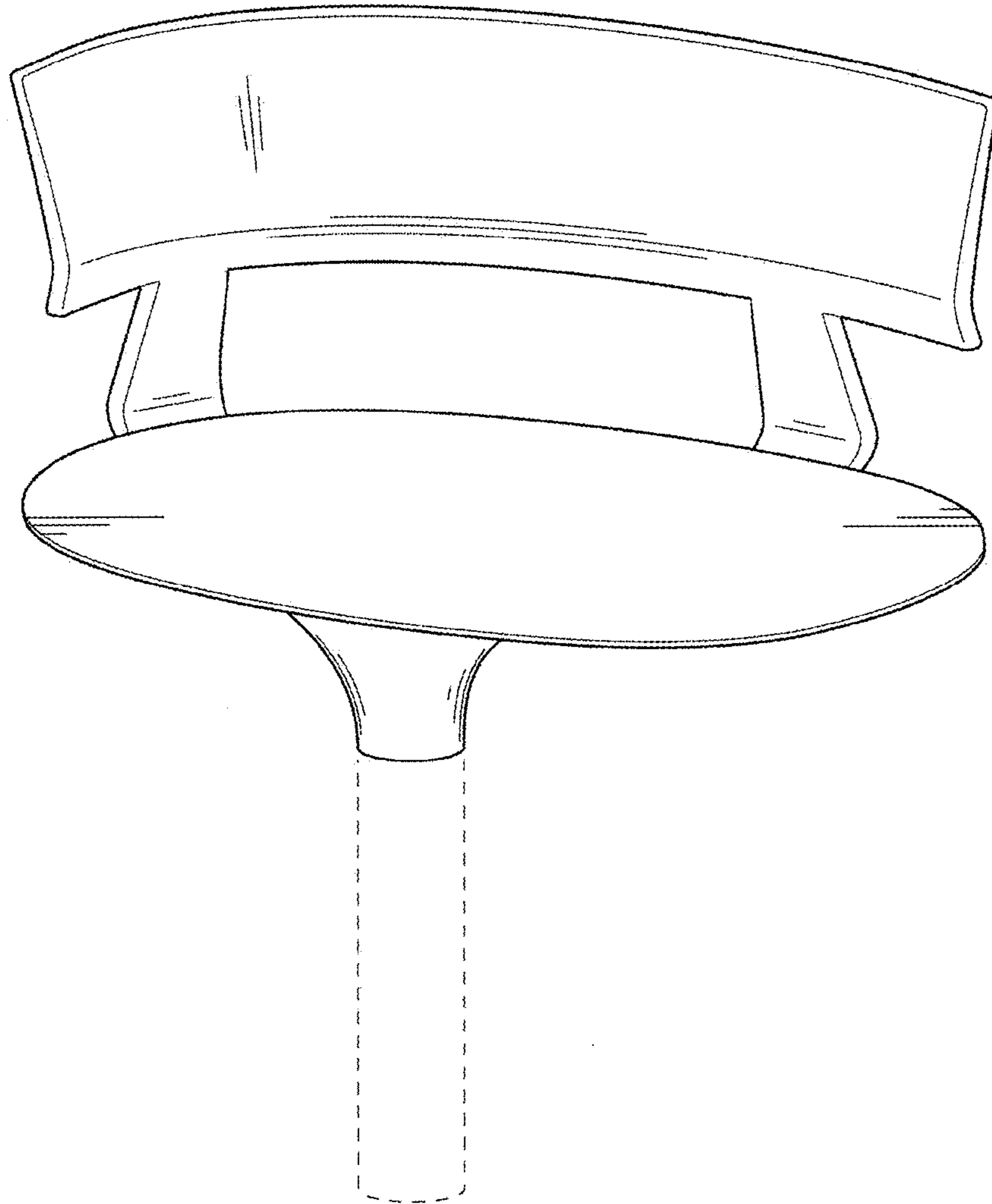


FIG. 1

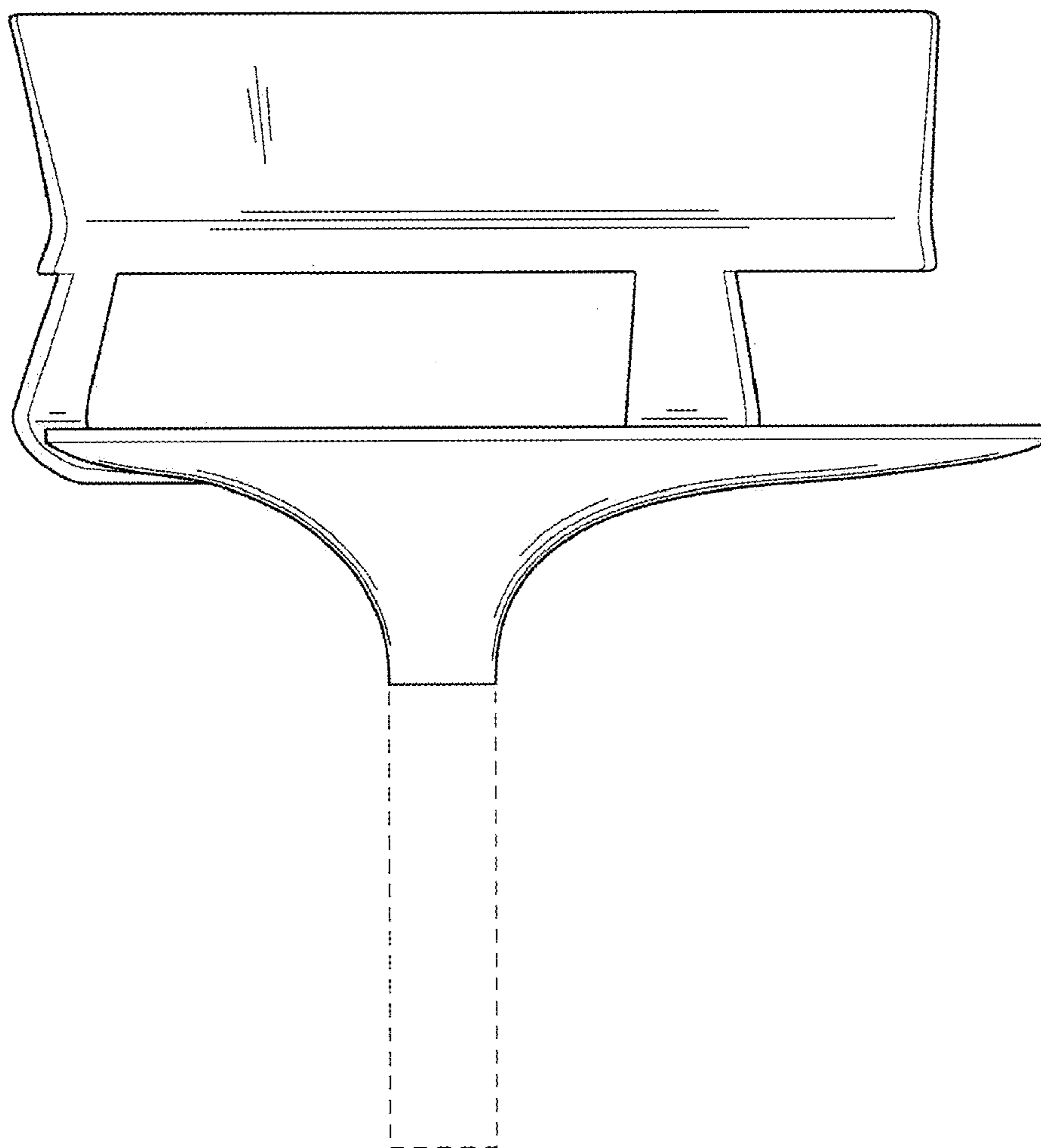


FIG. 2

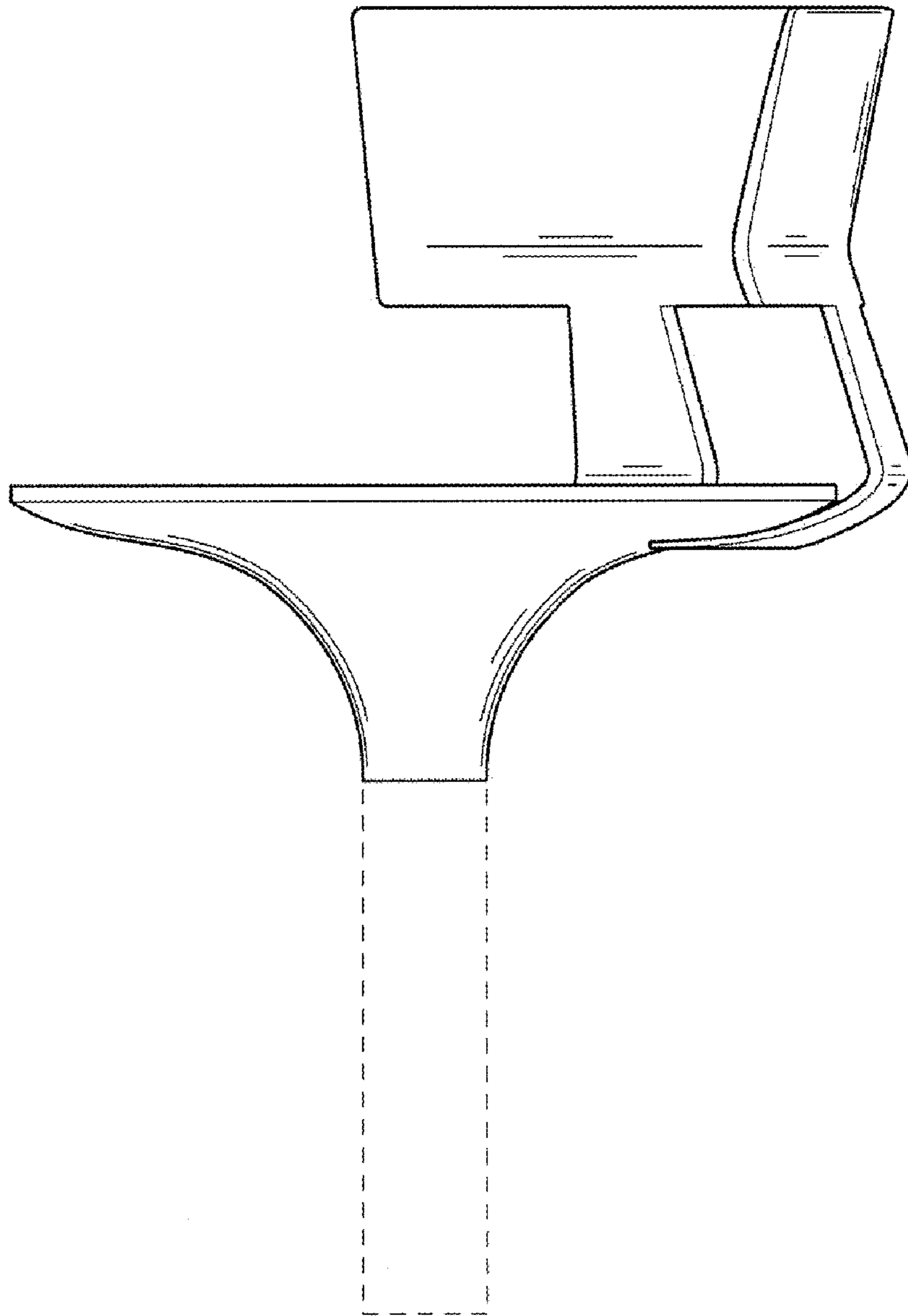


FIG. 3

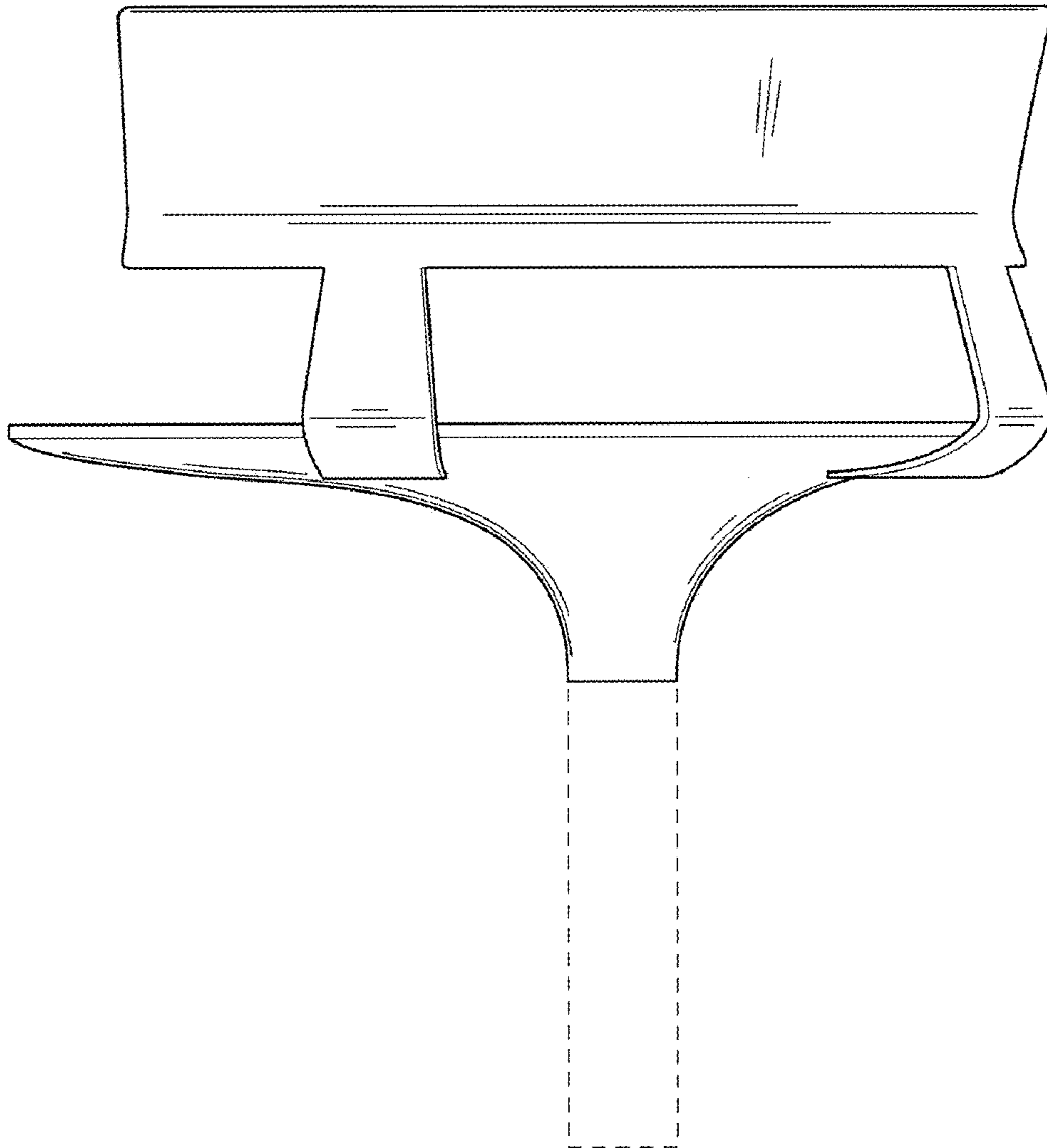


FIG. 4

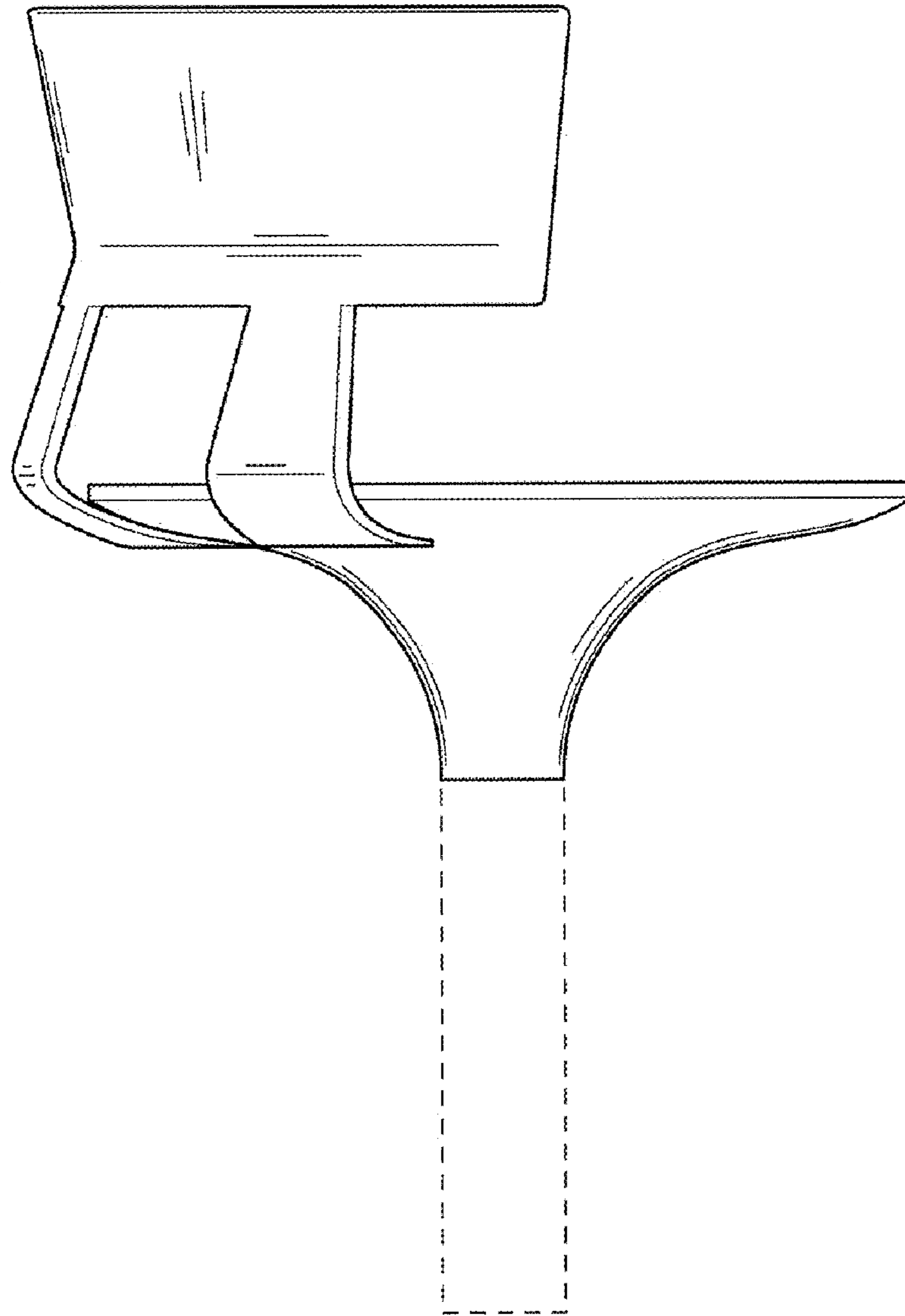


FIG. 5

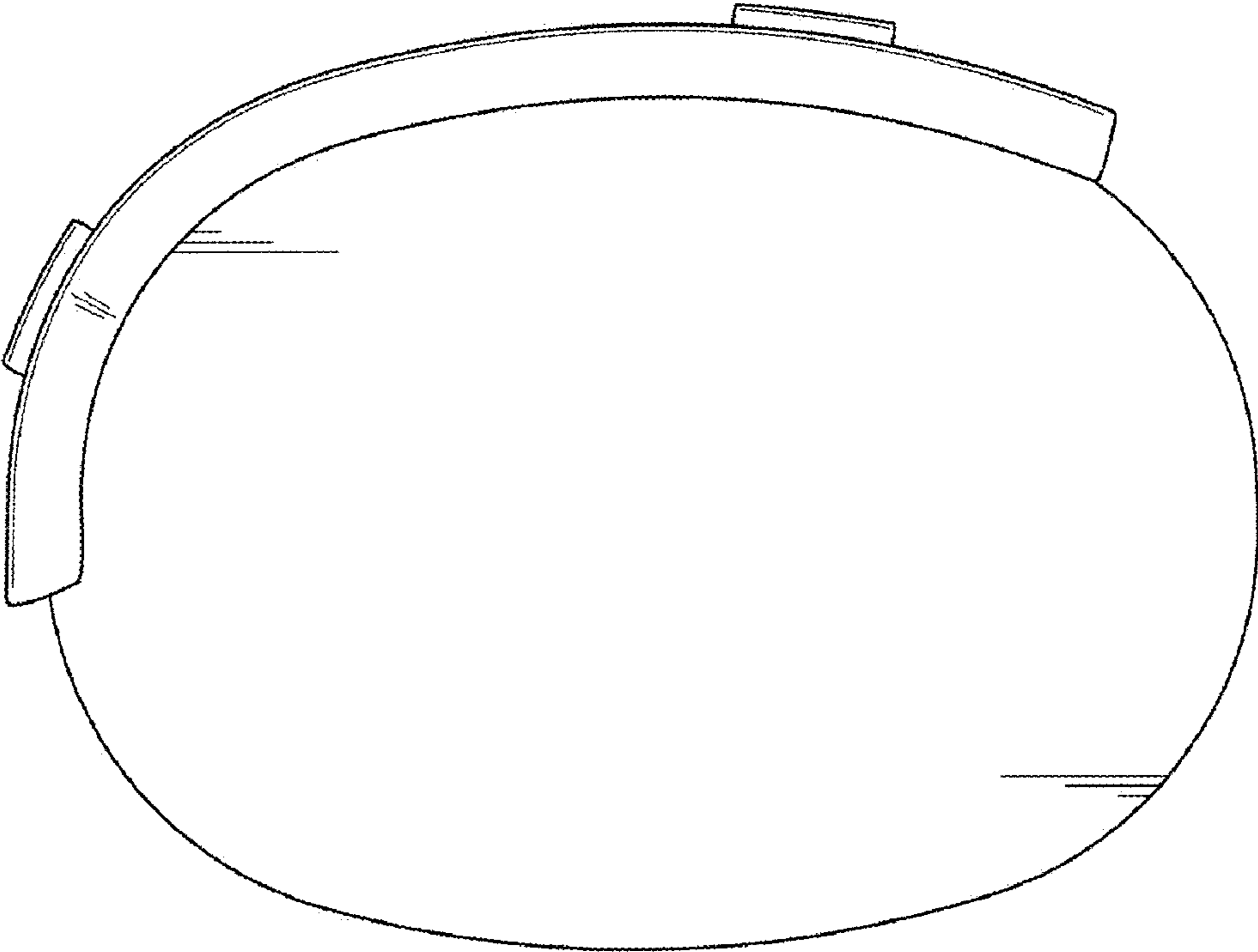


FIG. 6

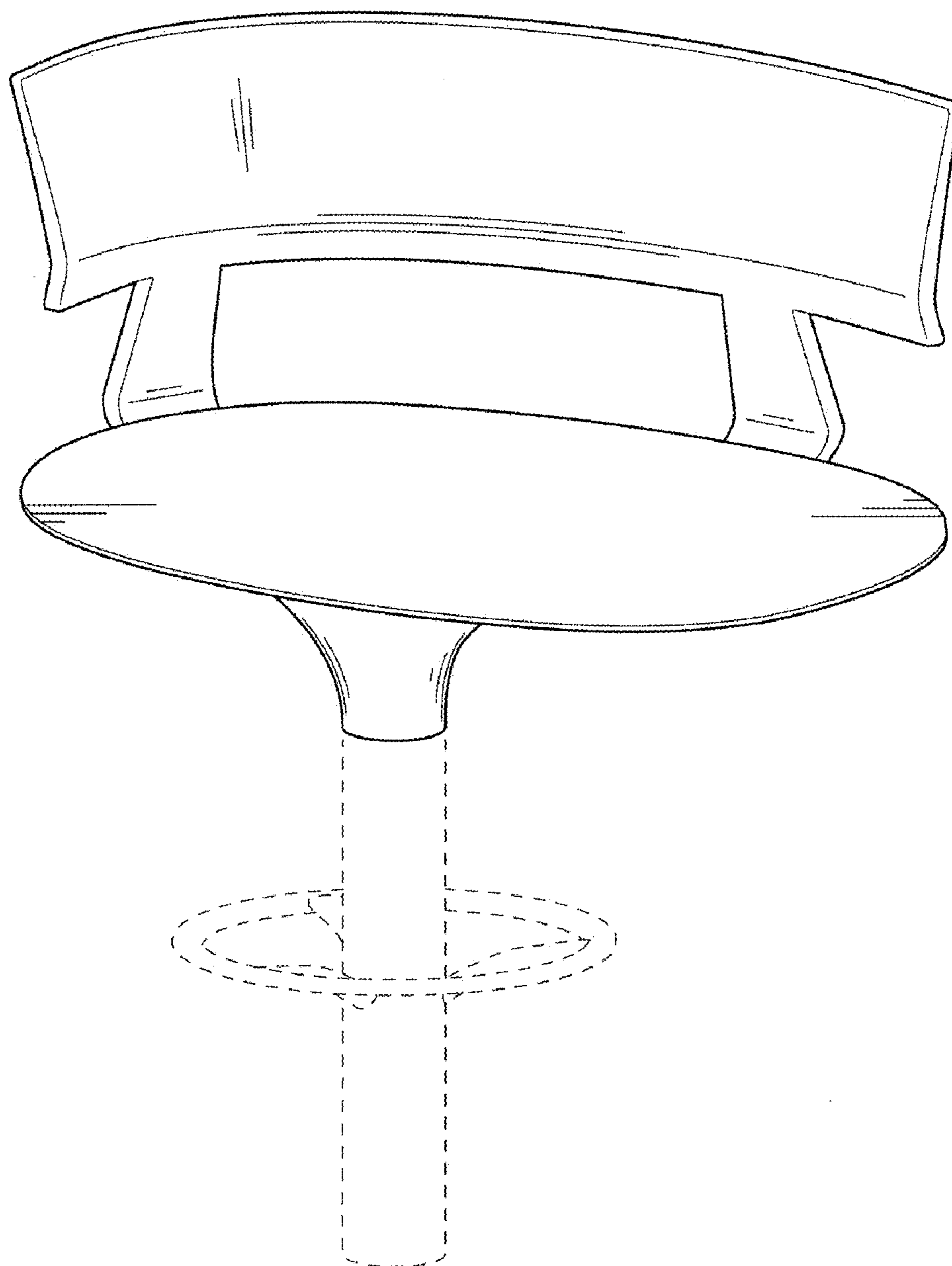


FIG. 7