



US00D664382S

(12) **United States Design Patent**
Petrucelli

(10) **Patent No.:** **US D664,382 S**

(45) **Date of Patent:** **** Jul. 31, 2012**

(54) **BEAUTY SALON CHAIR**

(75) Inventor: **Giulio Petrucelli**, Flushing, NY (US)

(73) Assignee: **P.S. Pibbs, Inc.**, Flushing, NY (US)

(**) Term: **14 Years**

(21) Appl. No.: **29/411,362**

(22) Filed: **Jan. 19, 2012**

(51) **LOC (9) Cl.** **06-01**

(52) **U.S. Cl.** **D6/500; D6/360**

(58) **Field of Classification Search** D6/334-336,
D6/349, 360, 364, 365, 366, 367, 374, 379,
D6/380, 500-502; 297/344.2, 411.28, 411.44,
297/423.1, 423.19, 423.25, 445.1, 451.4,
297/451.5, 452.2, 461

See application file for complete search history.

(56) **References Cited**

U.S. PATENT DOCUMENTS

D309,382 S * 7/1990 Buhk D6/360
D457,006 S * 5/2002 Ooyama D6/360
D535,486 S * 1/2007 Huang D6/366

D564,265 S * 3/2008 Petrucelli D6/500
D575,537 S * 8/2008 Petrucelli D6/334
D586,593 S * 2/2009 Petrucelli D6/500

* cited by examiner

Primary Examiner — Mimoso De

(74) *Attorney, Agent, or Firm* — Gerald E. Hespos; Michael J. Porco

(57) **CLAIM**

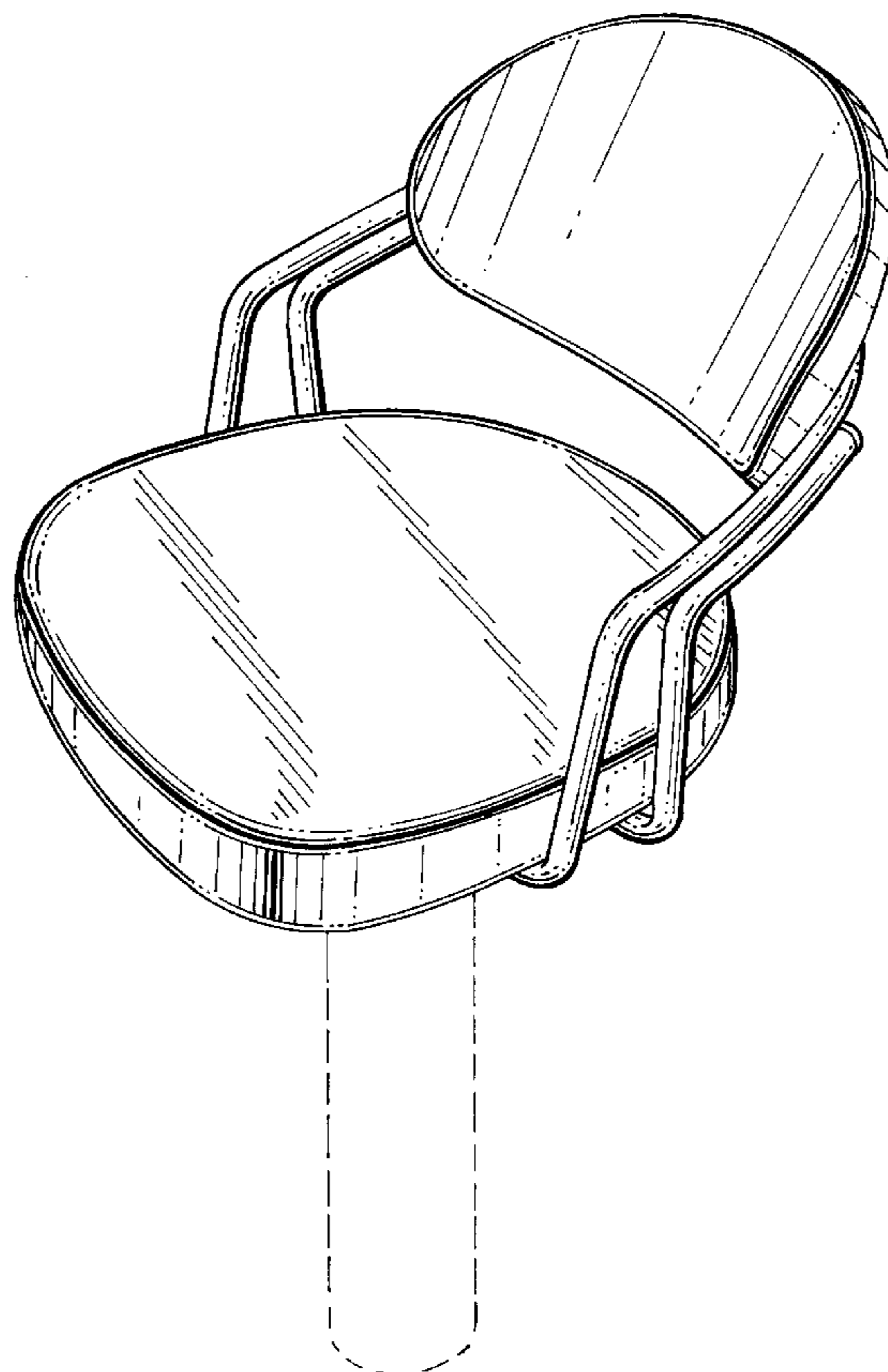
The ornamental design for a beauty salon chair, as shown and described.

DESCRIPTION

FIG. 1 is a perspective view of a beauty salon chair in accordance with my design;
FIG. 2 is a top plan view of the beauty salon chair of FIG. 1;
FIG. 3 is a front elevational view thereof;
FIG. 4 is a right side elevational view, with the left side elevational view being a mirror image thereof;
FIG. 5 is a rear elevational view thereof; and,
FIG. 6 is a bottom plan view thereof.
The broken lines showing the pedestal in FIG. 1 are for illustrative purposes only and form no part of the claimed design.

The dashed lines shown on the rear backrest in FIGS. 4, 5, and 6 are understood to represent stitching.

1 Claim, 6 Drawing Sheets



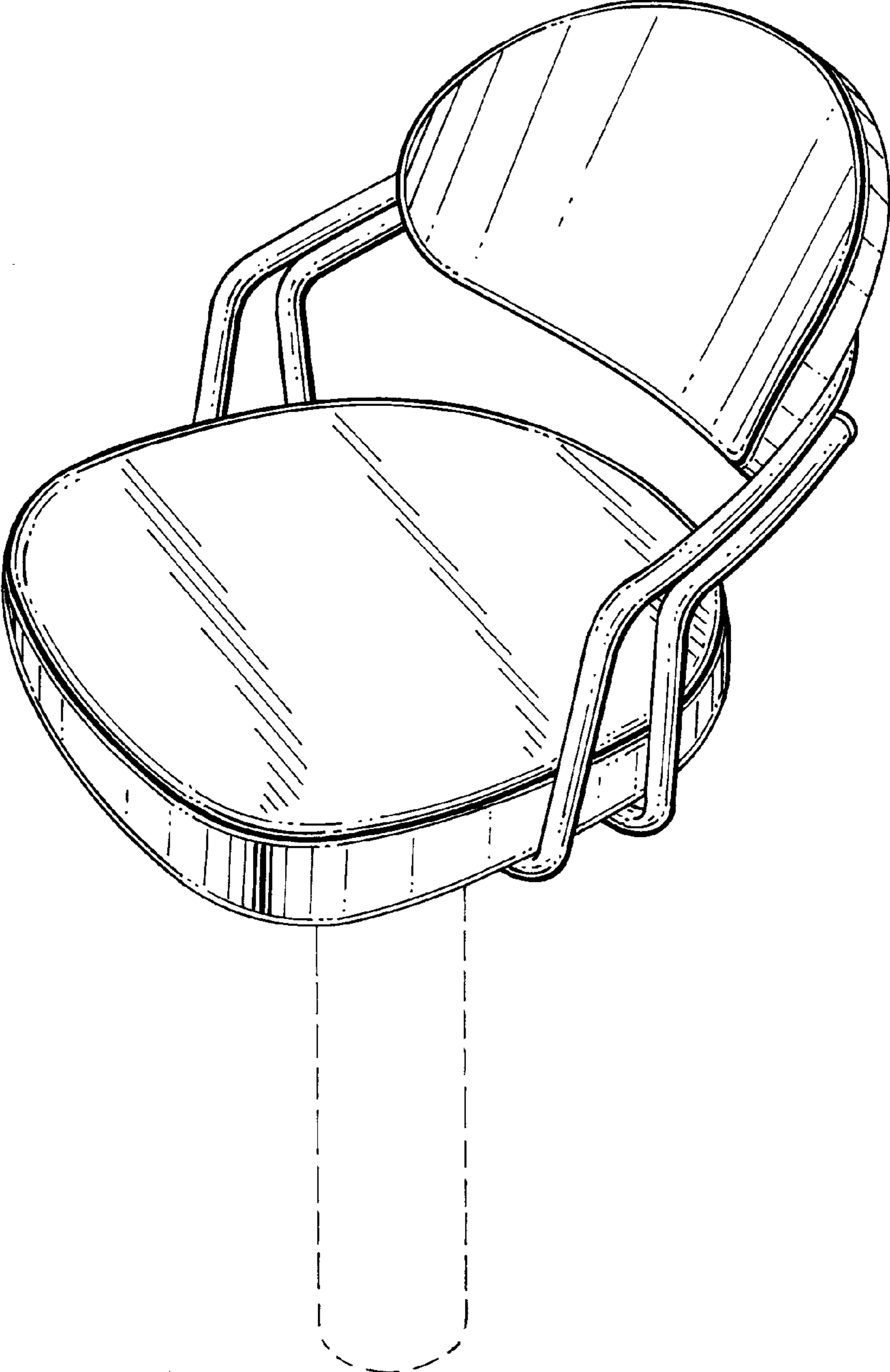


FIG. 1

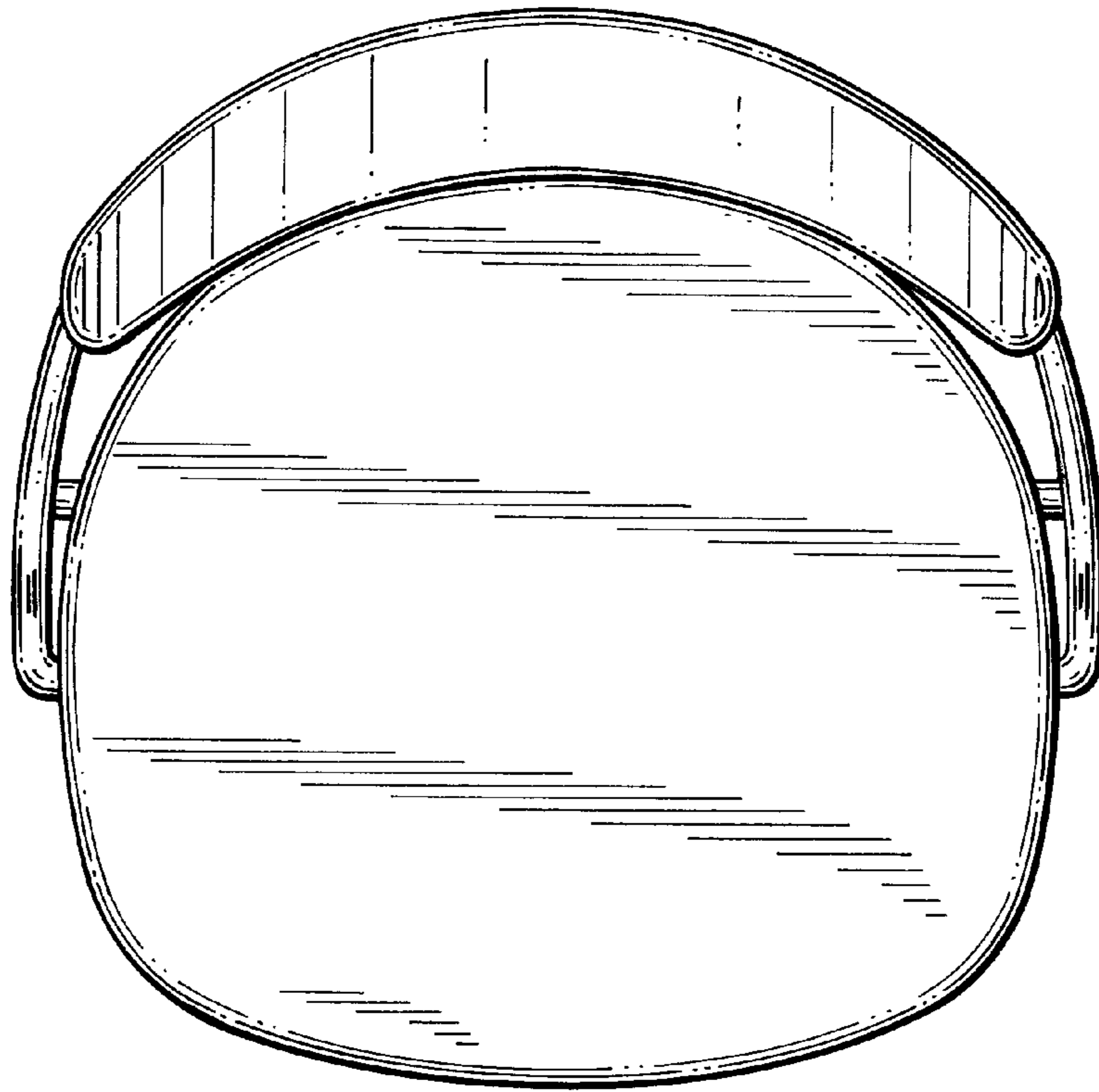


FIG.2

FIG.3

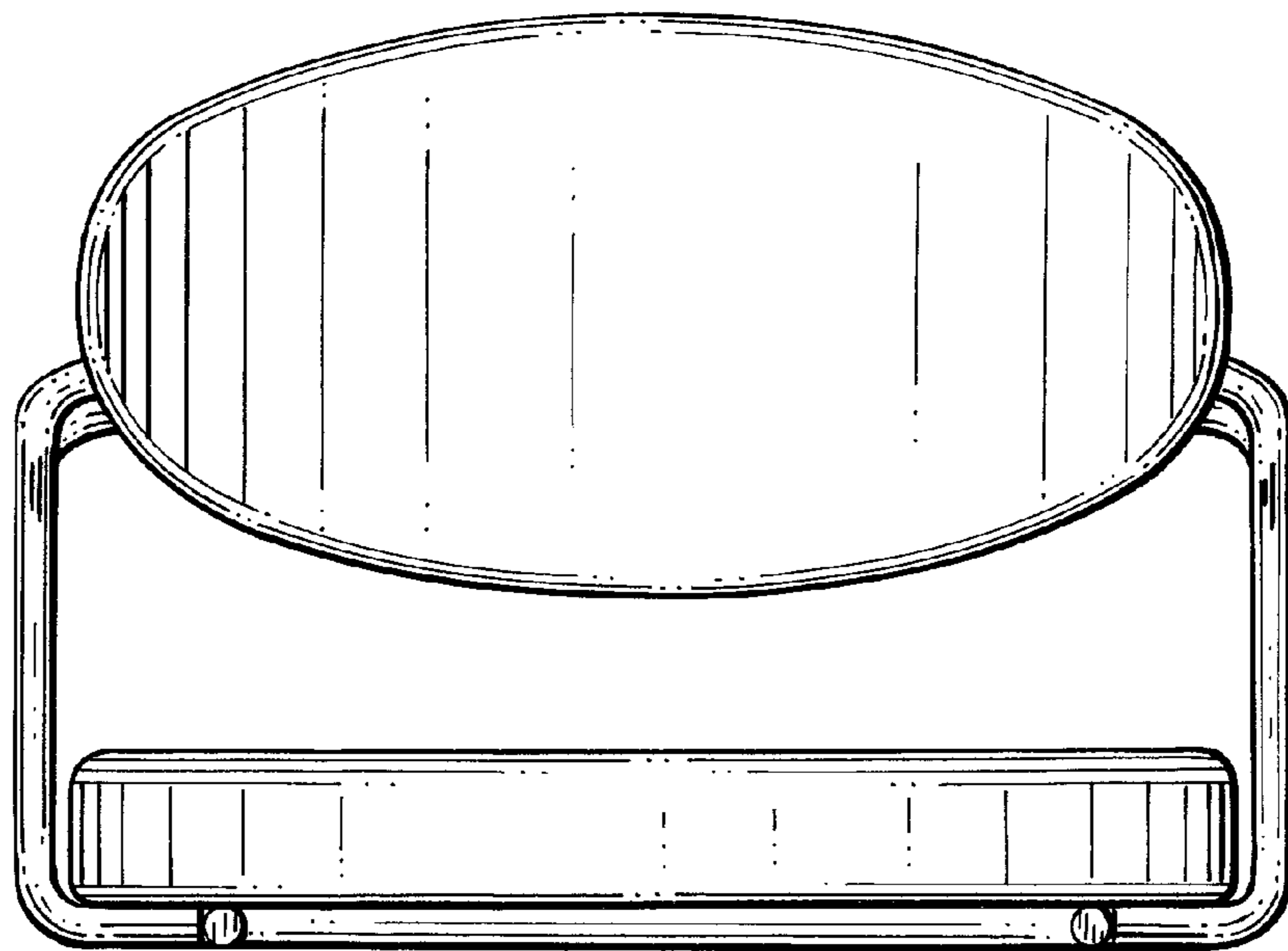


FIG.4

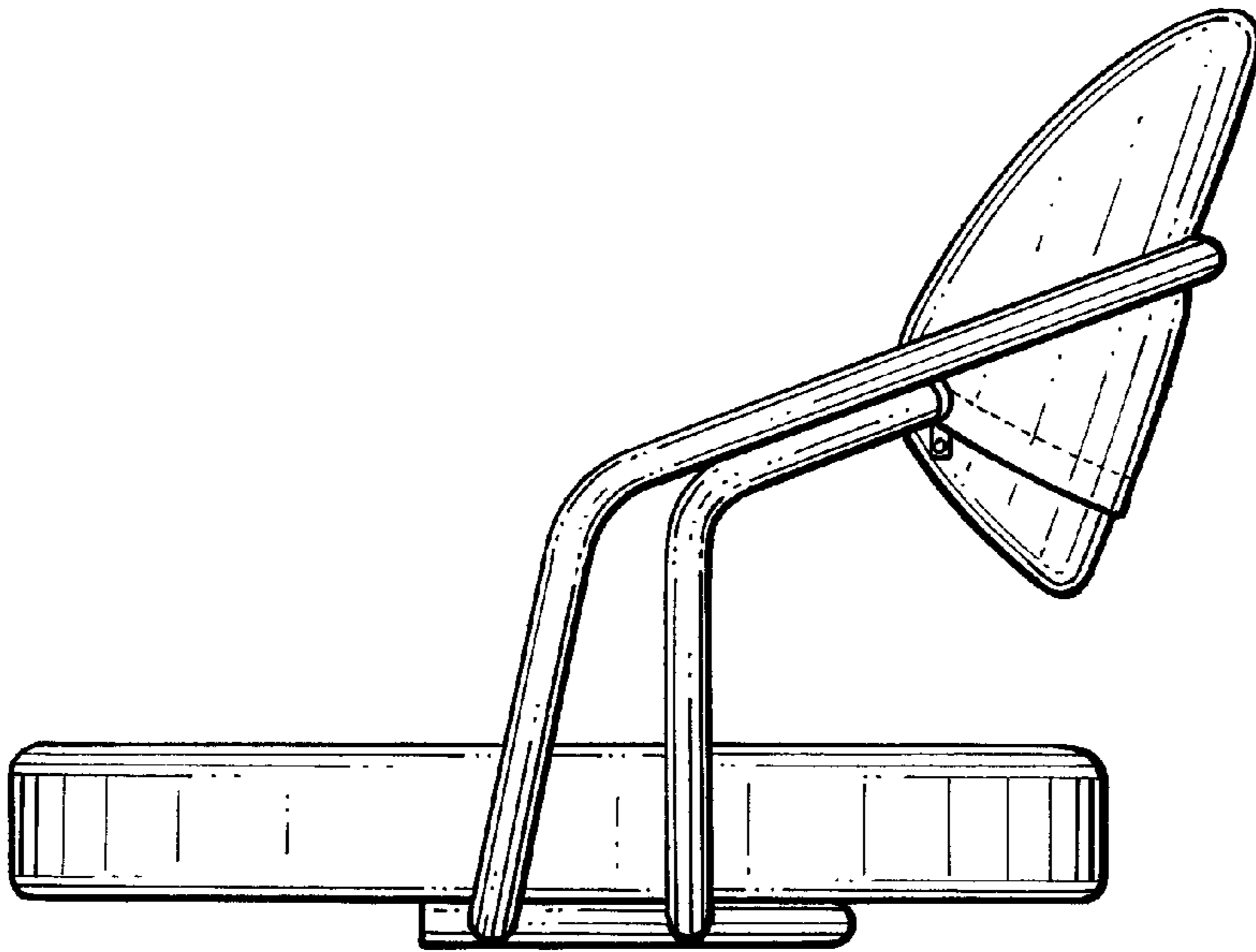


FIG. 5

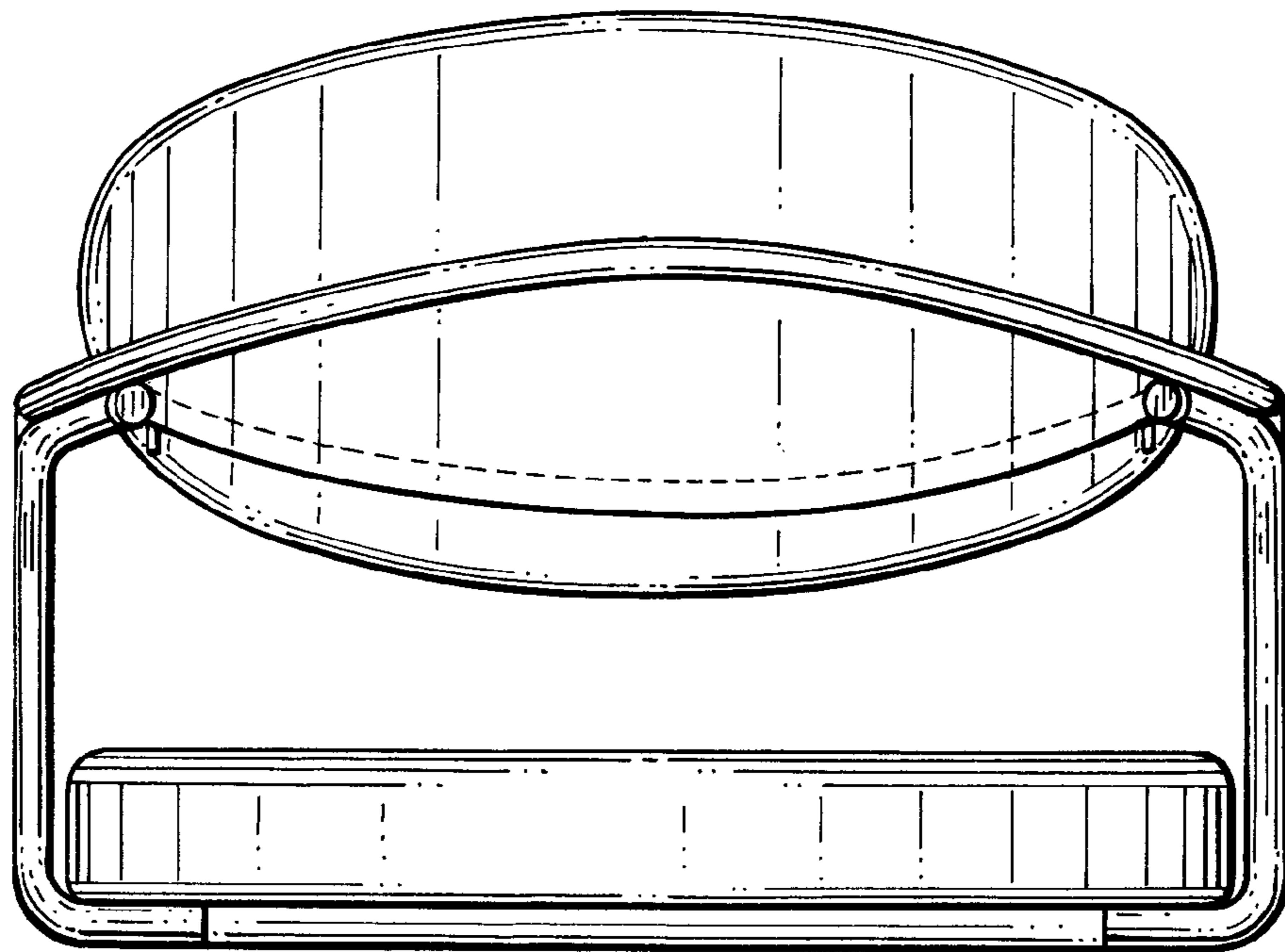


FIG. 6

