



US00D664378S

(12) **United States Design Patent**  
**Vu**

(10) **Patent No.:** **US D664,378 S**  
(45) **Date of Patent:** **\*\* Jul. 31, 2012**

- (54) **BOOKSHELF**
- (75) Inventor: **Vincent Vu**, Richmond, VA (US)
- (73) Assignee: **Vincent Vu**
- (\*\*) Term: **14 Years**
- (21) Appl. No.: **29/390,366**
- (22) Filed: **Apr. 23, 2011**
- (51) **LOC (9) Cl.** ..... **06-06**
- (52) **U.S. Cl.** ..... **D6/479**
- (58) **Field of Classification Search** ..... D6/426,  
D6/460-461, 468, 474, 477, 479, 509-511;  
312/7.2, 9.1; 108/59, 91-92, 96; 211/42,  
211/49.1, 90.04, 71.01, 186  
See application file for complete search history.

- D488,003 S \* 4/2004 Malik ..... D6/465
  - D517,351 S \* 3/2006 Frey ..... D6/479
  - D543,057 S \* 5/2007 Grady et al. .... D6/479
  - D560,933 S \* 2/2008 Sexton ..... D6/479
  - D609,500 S \* 2/2010 Fieldhouse et al. .... D6/476
  - 2004/0079714 A1 \* 4/2004 Andrew et al. .... 211/49.1
- \* cited by examiner

*Primary Examiner* — Kelley Donnelly  
(74) *Attorney, Agent, or Firm* — Vincent Vu

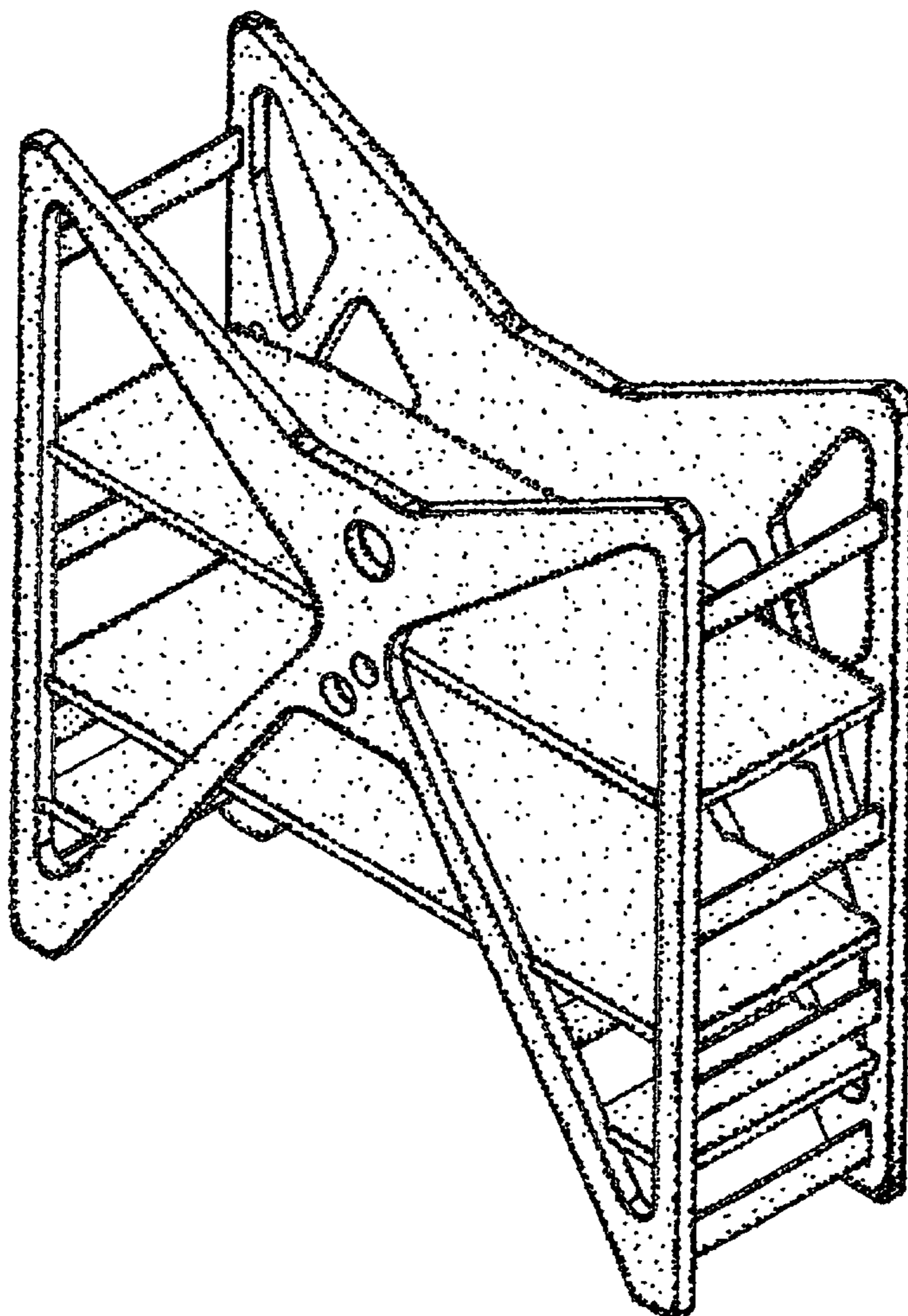
(57) **CLAIM**  
The ornamental design for a bookshelf, as shown and described.

**DESCRIPTION**

FIG. 1 is a front elevation view of the bookshelf showing my new design.  
FIG. 2 is a rear elevation view of the bookshelf  
FIG. 3 is a left side elevation view of the bookshelf, the right elevation view being a mirror image thereof;  
FIG. 4 is a top plan view of the bookshelf; and,  
FIG. 5 is an isometric view of the bookshelf.

- (56) **References Cited**
- U.S. PATENT DOCUMENTS
- 644,880 A \* 3/1900 Vanderman ..... 108/59
- D404,937 S \* 2/1999 Tarlow ..... D6/479
- D461,333 S \* 8/2002 Malik ..... D6/465

**1 Claim, 3 Drawing Sheets**



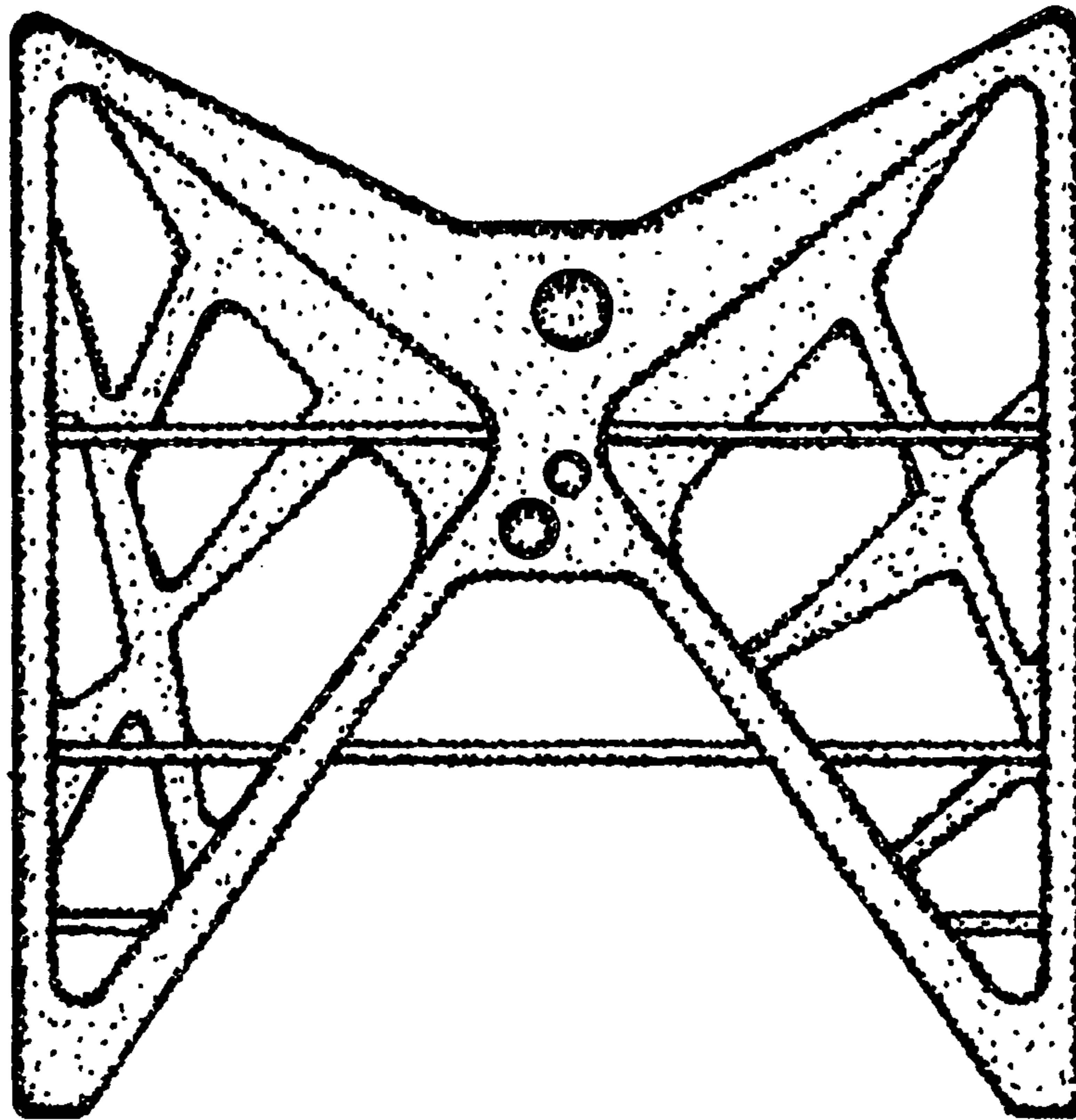


Fig. 1

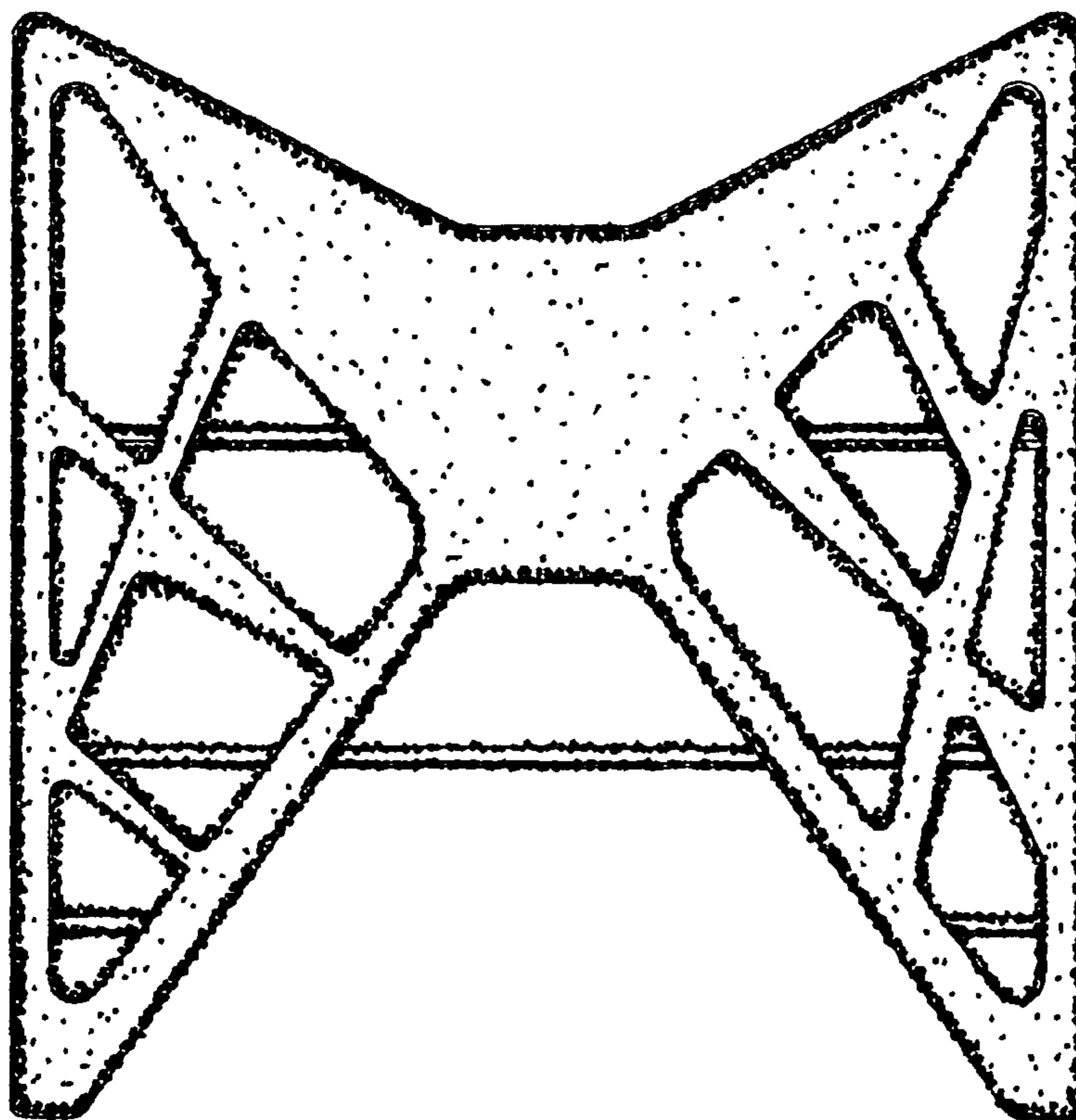


Fig. 2

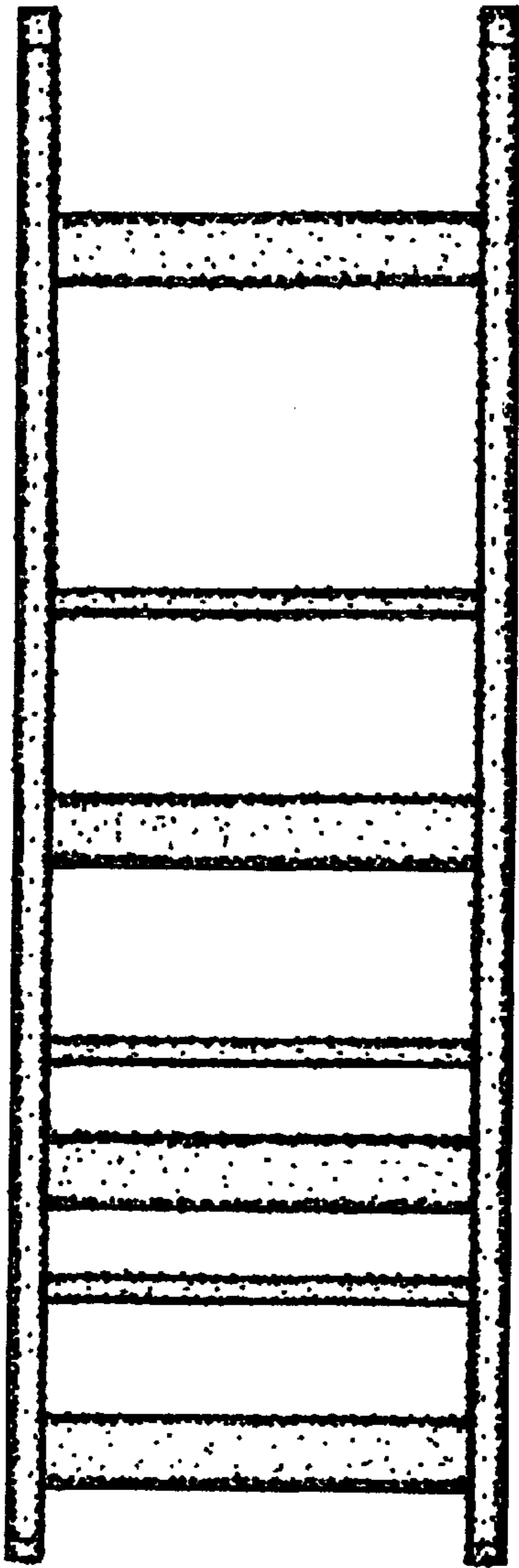


Fig. 3

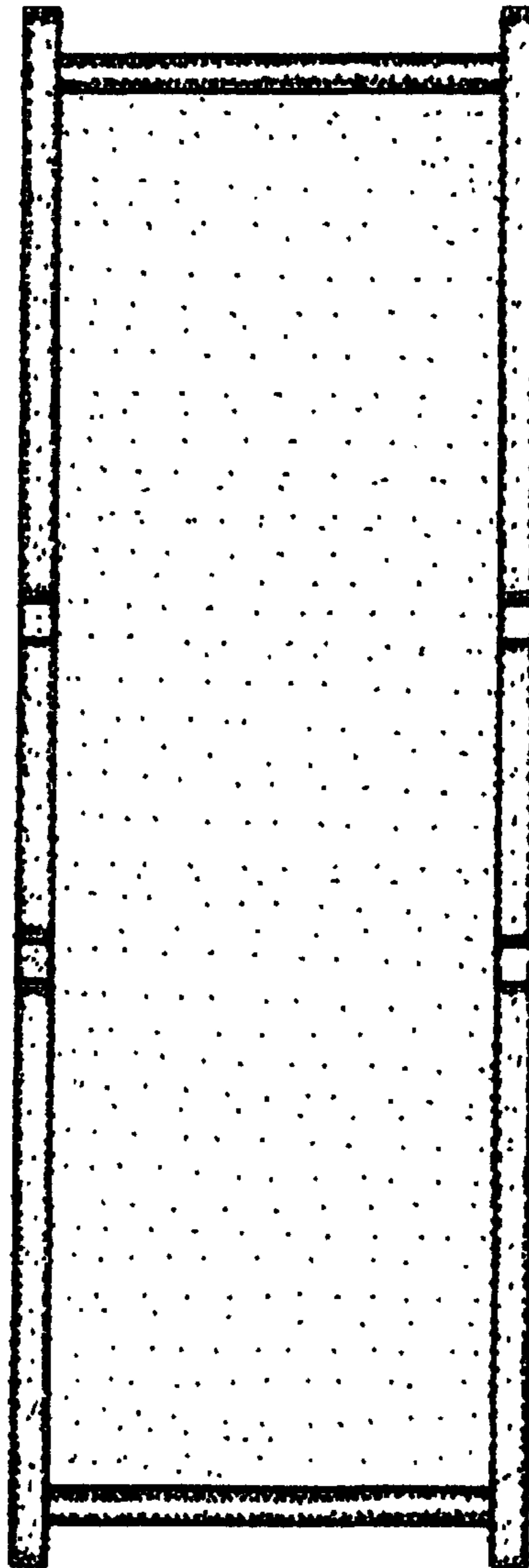


Fig. 4

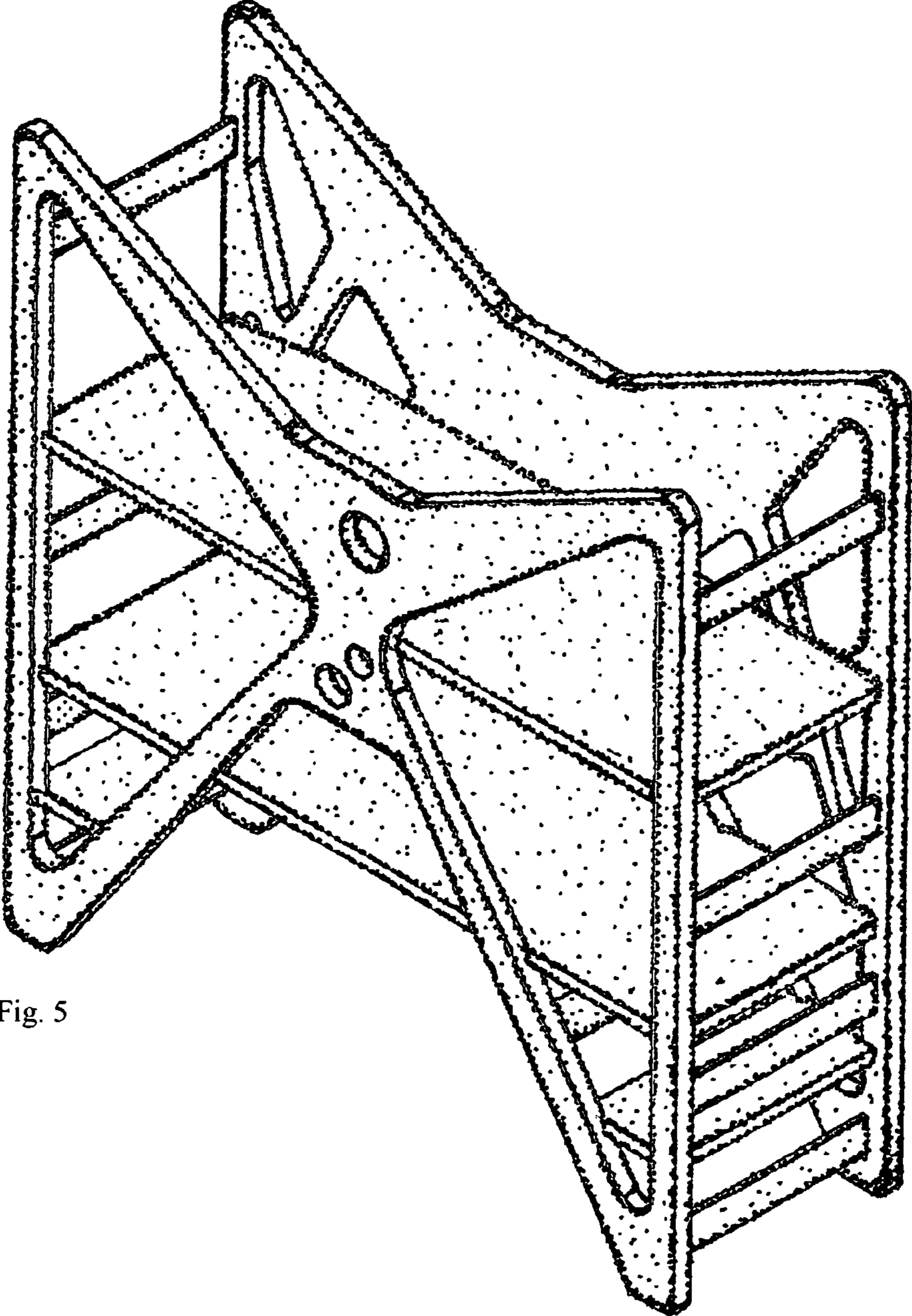


Fig. 5