

US00D664373S

(12) **United States Design Patent**
Pamudji et al.

(10) **Patent No.:** **US D664,373 S**
(45) **Date of Patent:** **** Jul. 31, 2012**

(54) **BED FRAME**

(75) Inventors: **Albert Pamudji**, North Brunswick, NJ (US); **David Chang**, Fresno, CA (US); **Johnson Chang**, Fresno, CA (US)

(73) Assignees: **Williams Import Company, Inc.**, Fresno, CA (US); **Mainline World Furniture, Inc.**, North Brunswick, NJ (US)

(**) Term: **14 Years**

(21) Appl. No.: **29/405,372**

(22) Filed: **Nov. 1, 2011**

(51) **LOC (9) Cl.** **06-02**

(52) **U.S. Cl.** **D6/393**

(58) **Field of Classification Search** D6/382-384, D6/389, 393-395, 505-508, 361; 5/53.1, 5/907, 2.1, 279.1, 280, 281, 308
See application file for complete search history.

(56) **References Cited**

U.S. PATENT DOCUMENTS

D177,467 S * 4/1956 Frey D6/397
D194,498 S * 2/1963 Miller D6/361

D497,067 S * 10/2004 Cook D6/505
D499,587 S * 12/2004 Cook D6/505
D545,078 S * 6/2007 Jourdan D6/393
D548,479 S * 8/2007 Clark D6/382

* cited by examiner

Primary Examiner — Janice Seeger

(74) *Attorney, Agent, or Firm* — Haverstock & Owens LLP

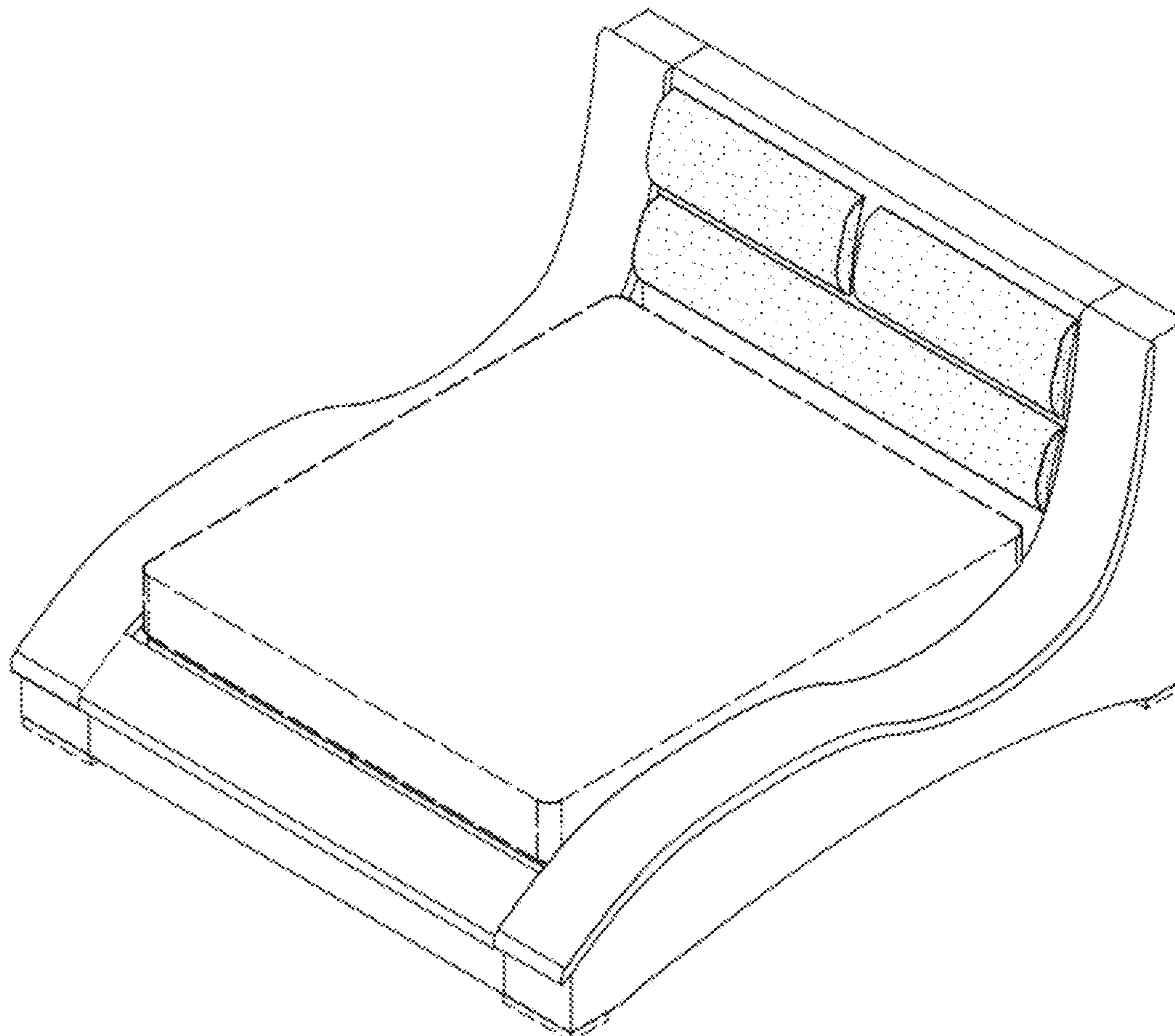
(57) **CLAIM**

We claim the ornamental design for a bed frame, as shown and described.

DESCRIPTION

FIG. 1 is a perspective view of the bed frame;
FIG. 2 is a front view of the bed frame;
FIG. 3 is a back view of the bed frame;
FIG. 4 is a top view of the bed frame;
FIG. 5 is a bottom view of the bed frame;
FIG. 6 is a left side view of the bed frame; and,
FIG. 7 is a right side view of the bed frame.
The broken lines are for environmental purposes only and form no part of the claimed design.

1 Claim, 5 Drawing Sheets



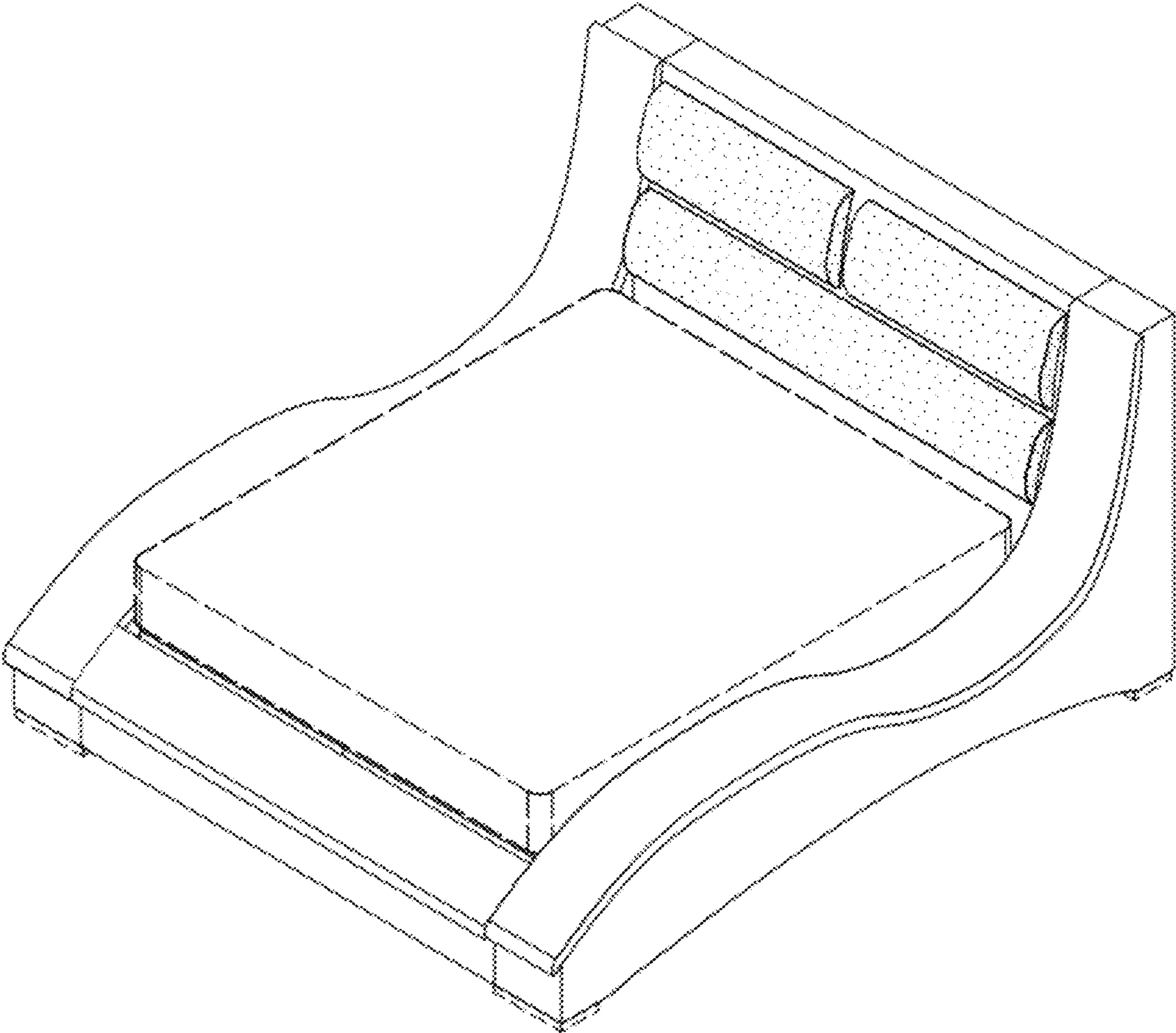


Fig. 1

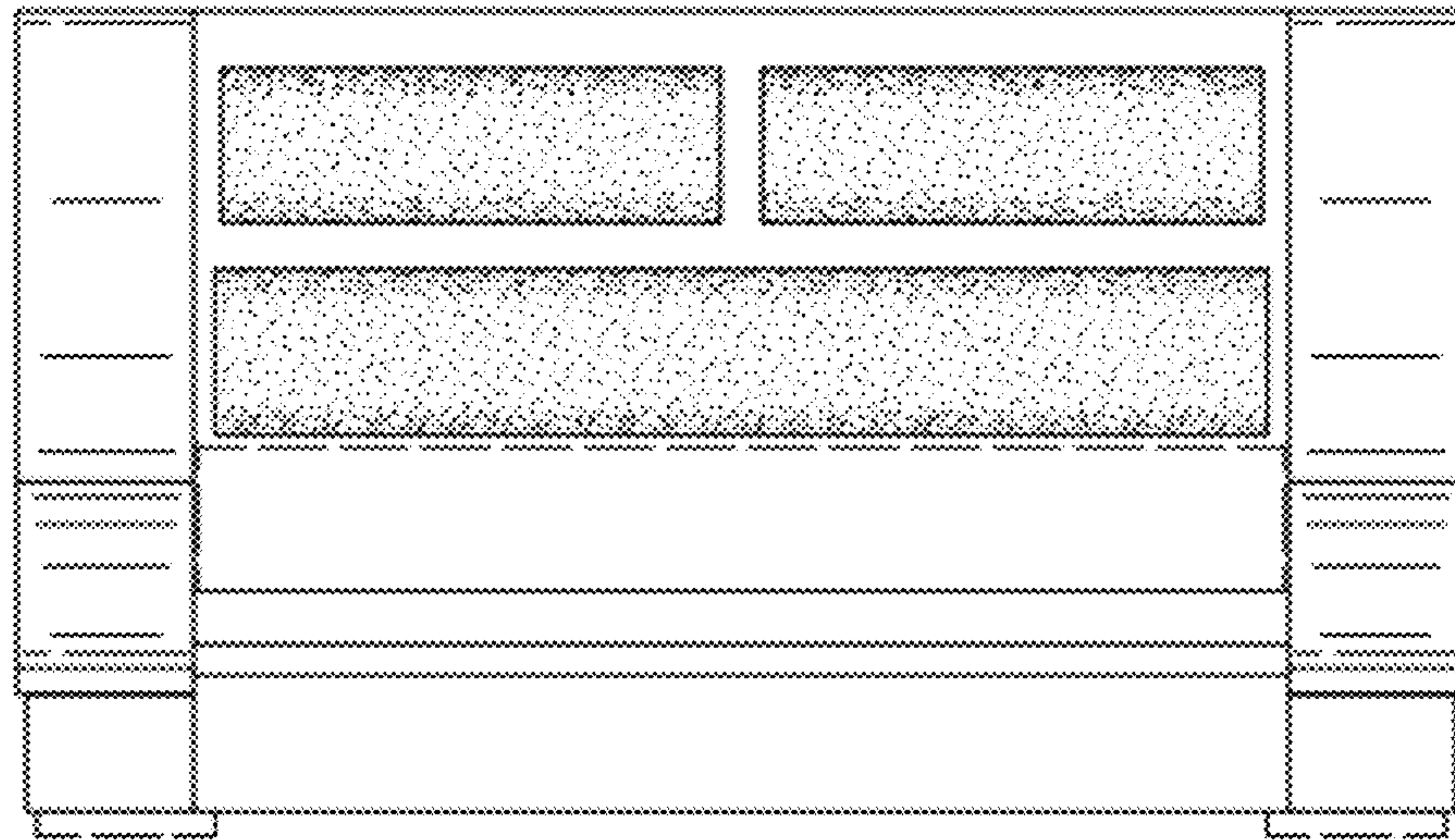


Fig. 2

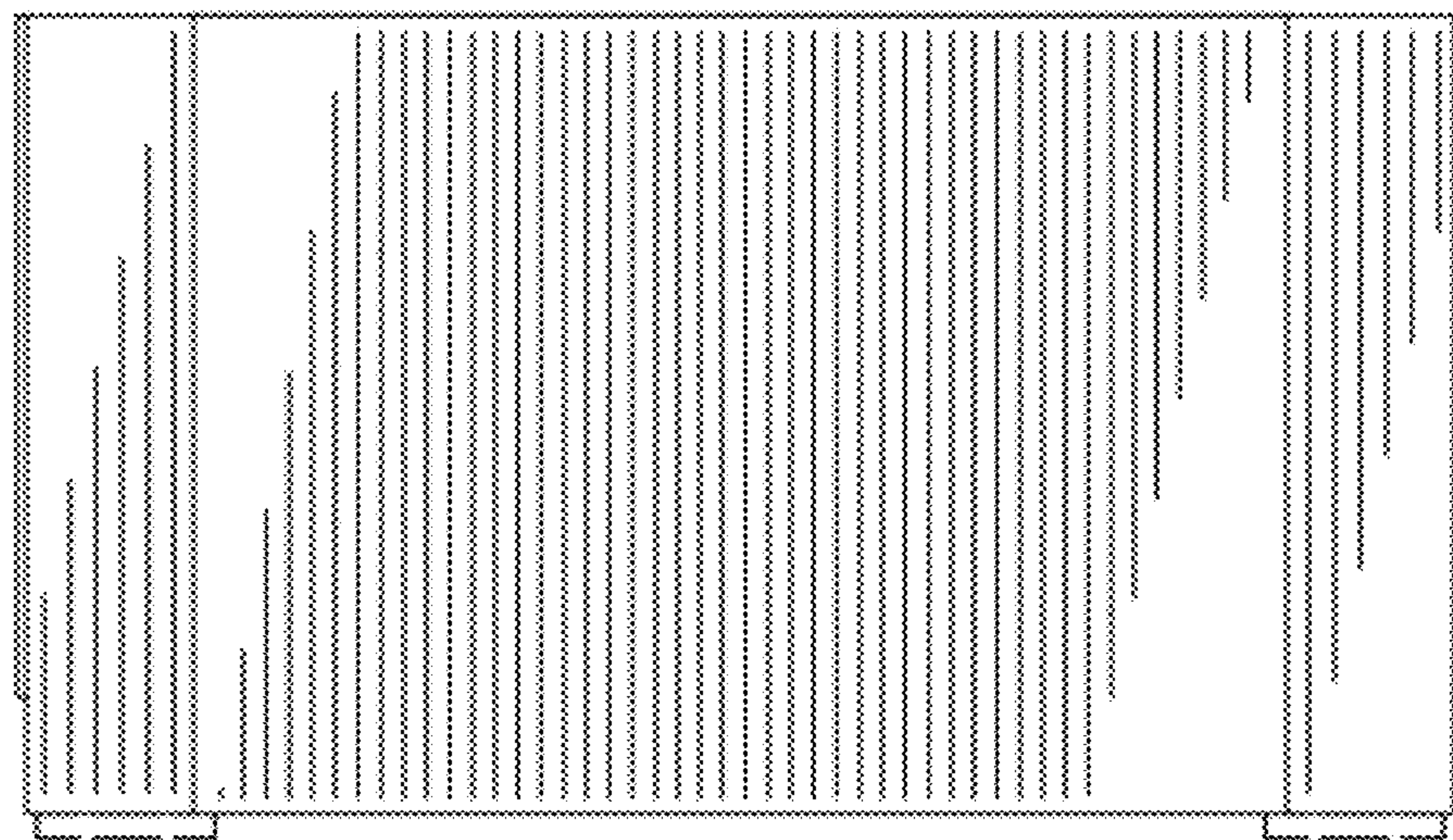


Fig. 3

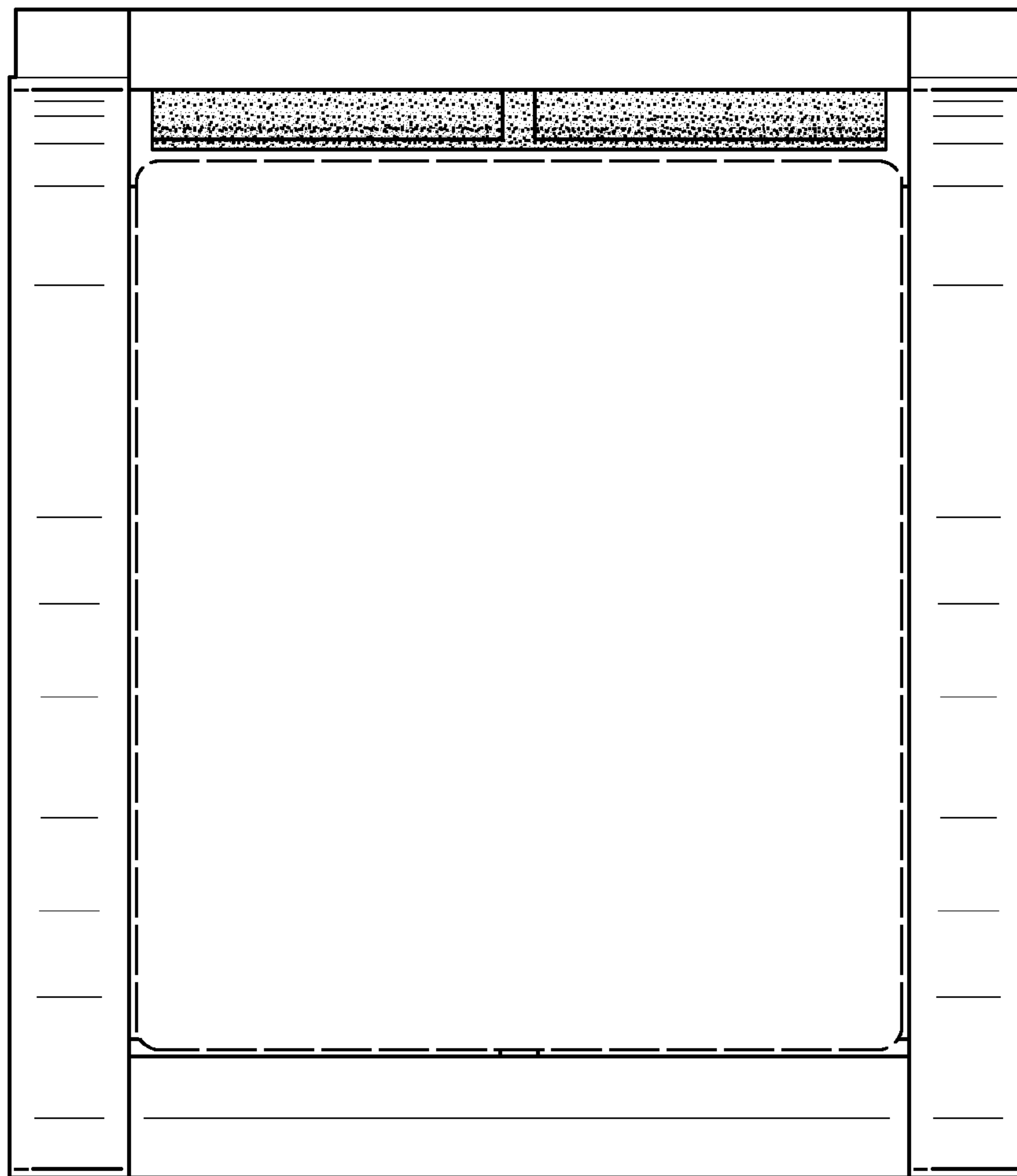


Fig. 4

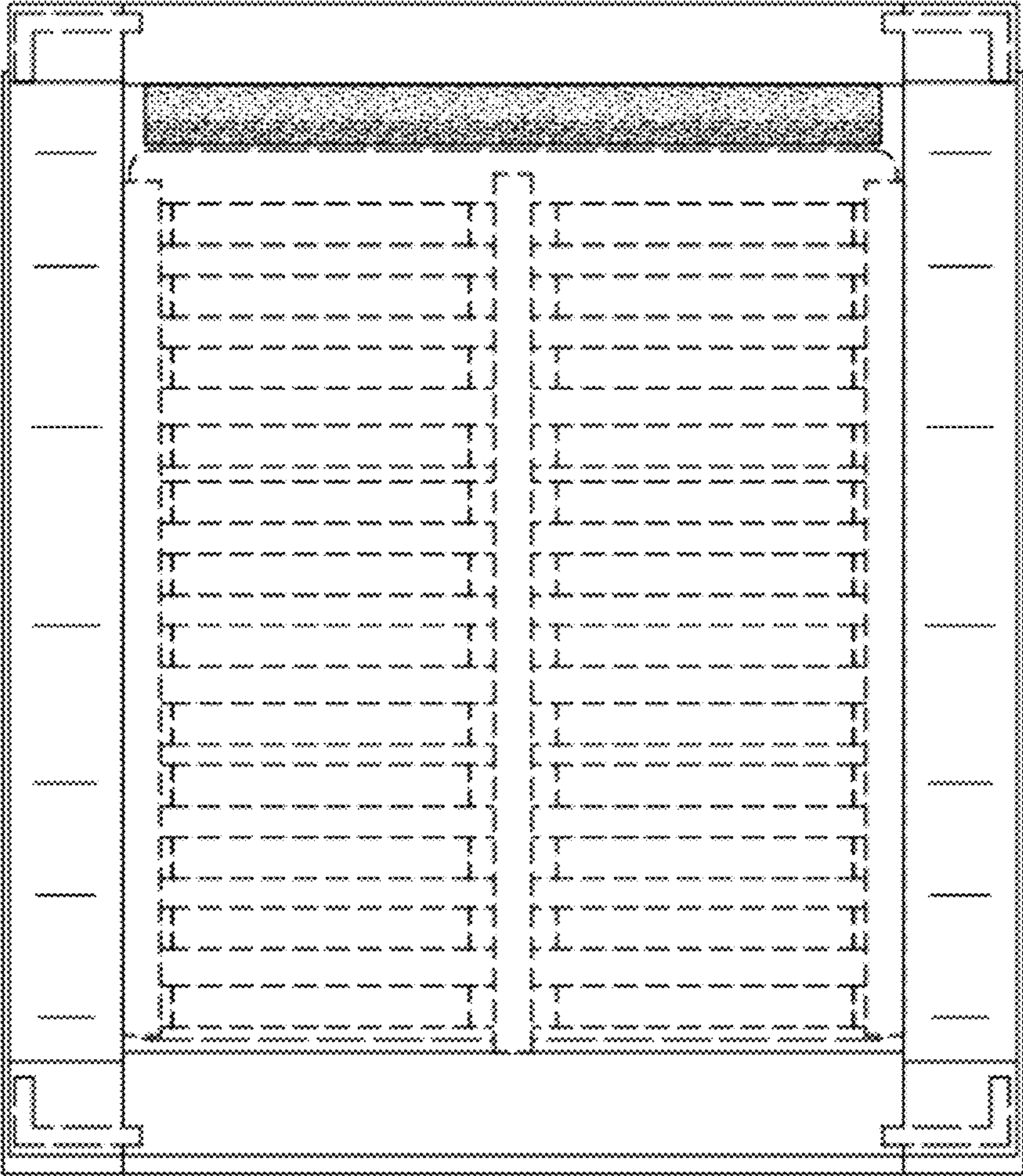


Fig. 5

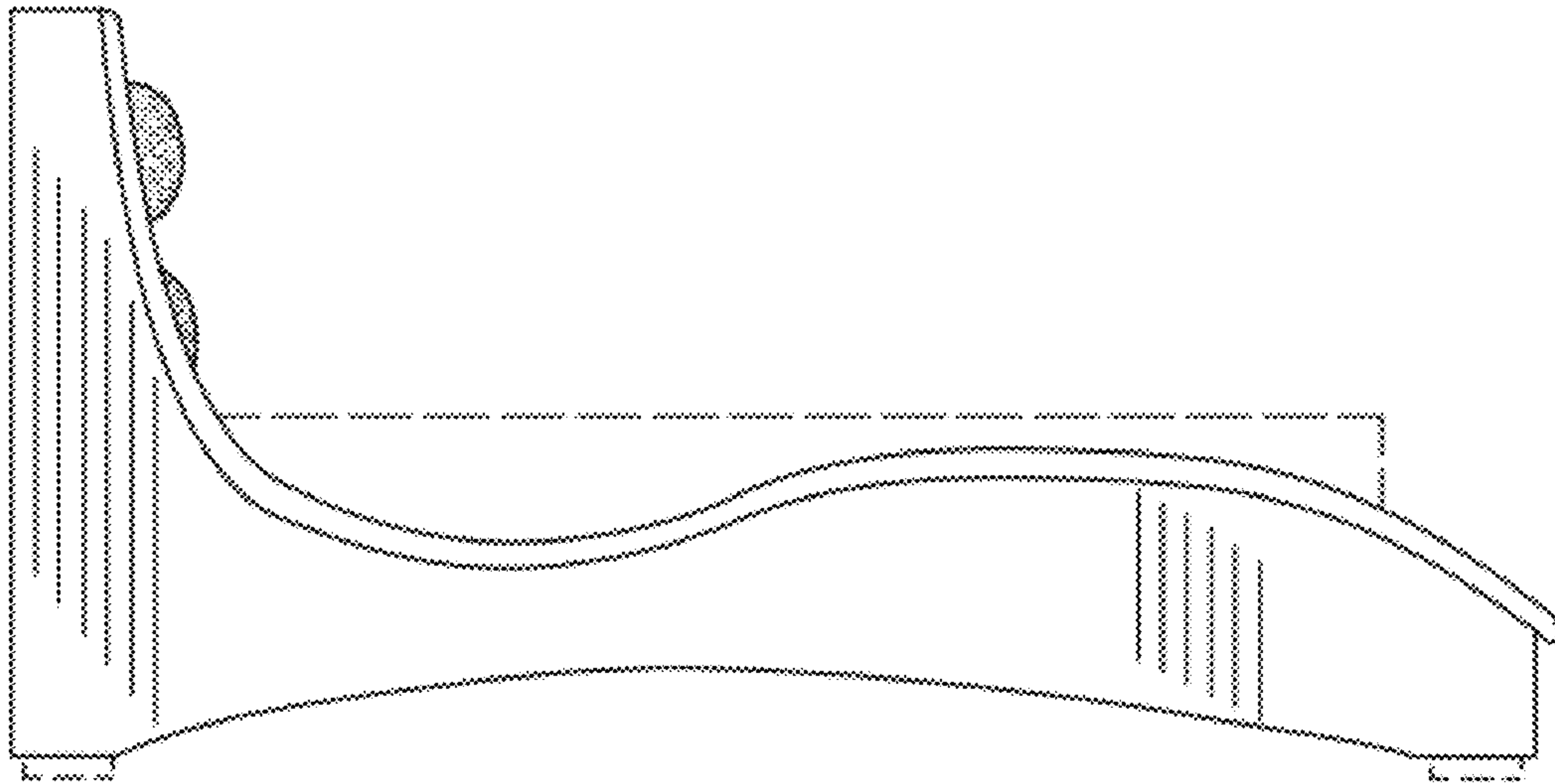


Fig. 6

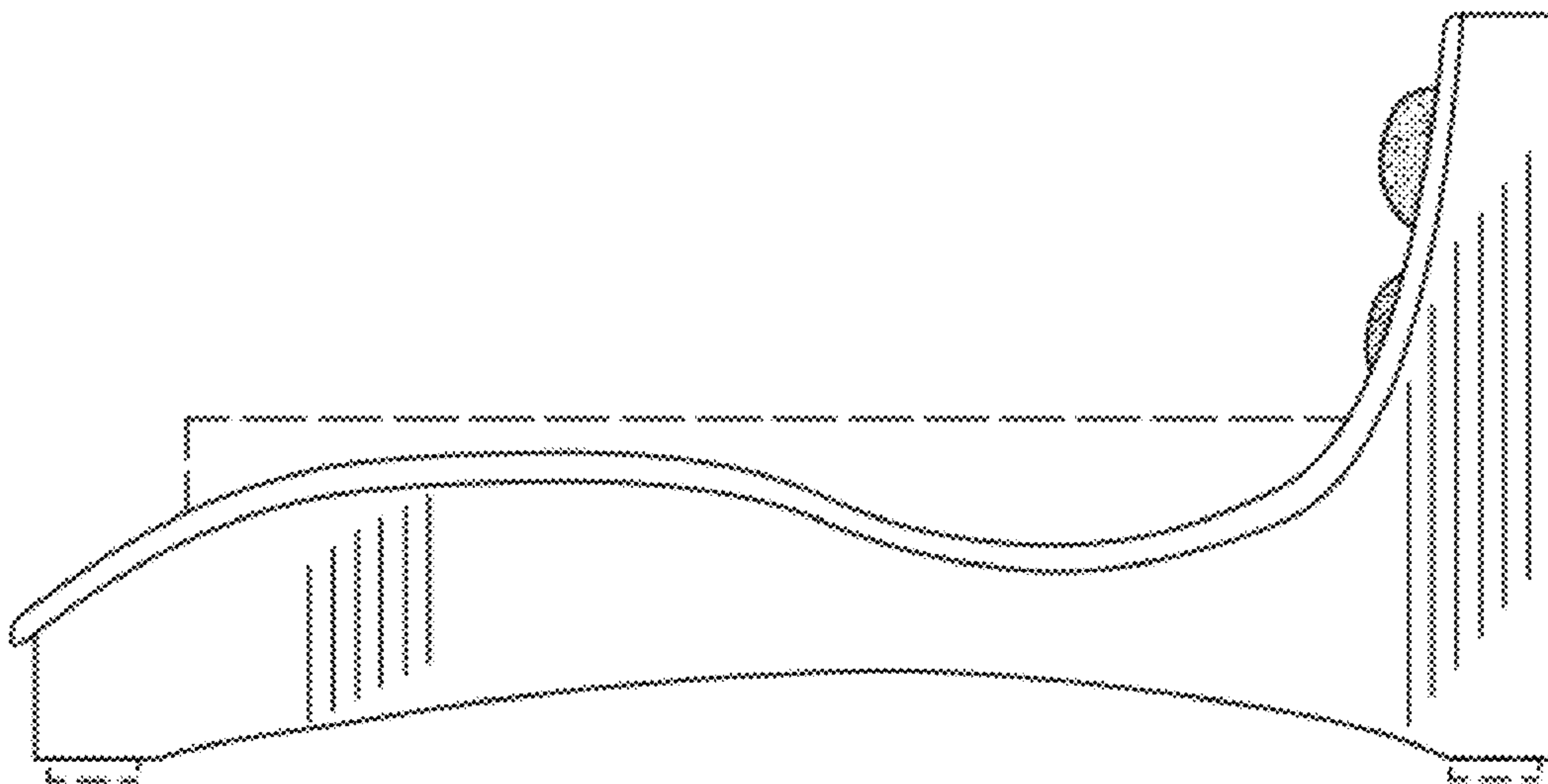


Fig. 7