

US00D664372S

(12) **United States Design Patent**
Ponticelli

(10) **Patent No.:** **US D664,372 S**
(45) **Date of Patent:** **** Jul. 31, 2012**

(54) **CHAIR**
(75) Inventor: **Pius Ponticelli, Kappel (CH)**
(73) Assignee: **Brevi S.R.L., Telgate (IT)**
(**) Term: **14 Years**
(21) Appl. No.: **29/376,766**
(22) Filed: **Oct. 12, 2010**

| | | | | |
|-----------|------|---------|---------------|---------|
| 4,958,885 | A * | 9/1990 | Kassai | 297/55 |
| D337,665 | S * | 7/1993 | Tsuchiya | D6/339 |
| D373,029 | S * | 8/1996 | Mariol et al. | D6/339 |
| D426,271 | S * | 6/2000 | Lan | D21/521 |
| D426,965 | S * | 6/2000 | Wu | D6/339 |
| D428,715 | S * | 8/2000 | Brevi | D6/339 |
| 6,126,236 | A * | 10/2000 | Wu | 297/325 |
| D461,325 | S * | 8/2002 | Opsvik | D6/367 |
| 7,651,168 | B2 * | 1/2010 | Kelly | 297/467 |
| D618,001 | S * | 6/2010 | Bearup et al. | D6/339 |
| 7,918,497 | B2 * | 4/2011 | Keegan | 297/130 |

* cited by examiner

(30) **Foreign Application Priority Data**

Apr. 16, 2010 (EM) 001208953

(51) **LOC (9) Cl.** **06-01**
(52) **U.S. Cl.** **D6/371**
(58) **Field of Classification Search** D6/334-339,
D6/360-369, 372-380, 498, 500-502, 601;
D21/521; 297/55, 130, 149, 153, 284.4-284.5,
297/291, 297, 325, 411.2, 411.27-411.29,
297/452.13, 452.19, 452.21, 452.29, 452.3,
297/452.56, 452.64, 467

See application file for complete search history.

(56) **References Cited**

U.S. PATENT DOCUMENTS

| | | | | |
|-----------|-----|---------|--------|---------|
| 2,767,774 | A * | 10/1956 | Derby | 297/149 |
| 4,723,813 | A * | 2/1988 | Kassai | 297/153 |

Primary Examiner — Ricky Pham

(74) *Attorney, Agent, or Firm* — Scully, Scott, Murphy & Presser, P.C.

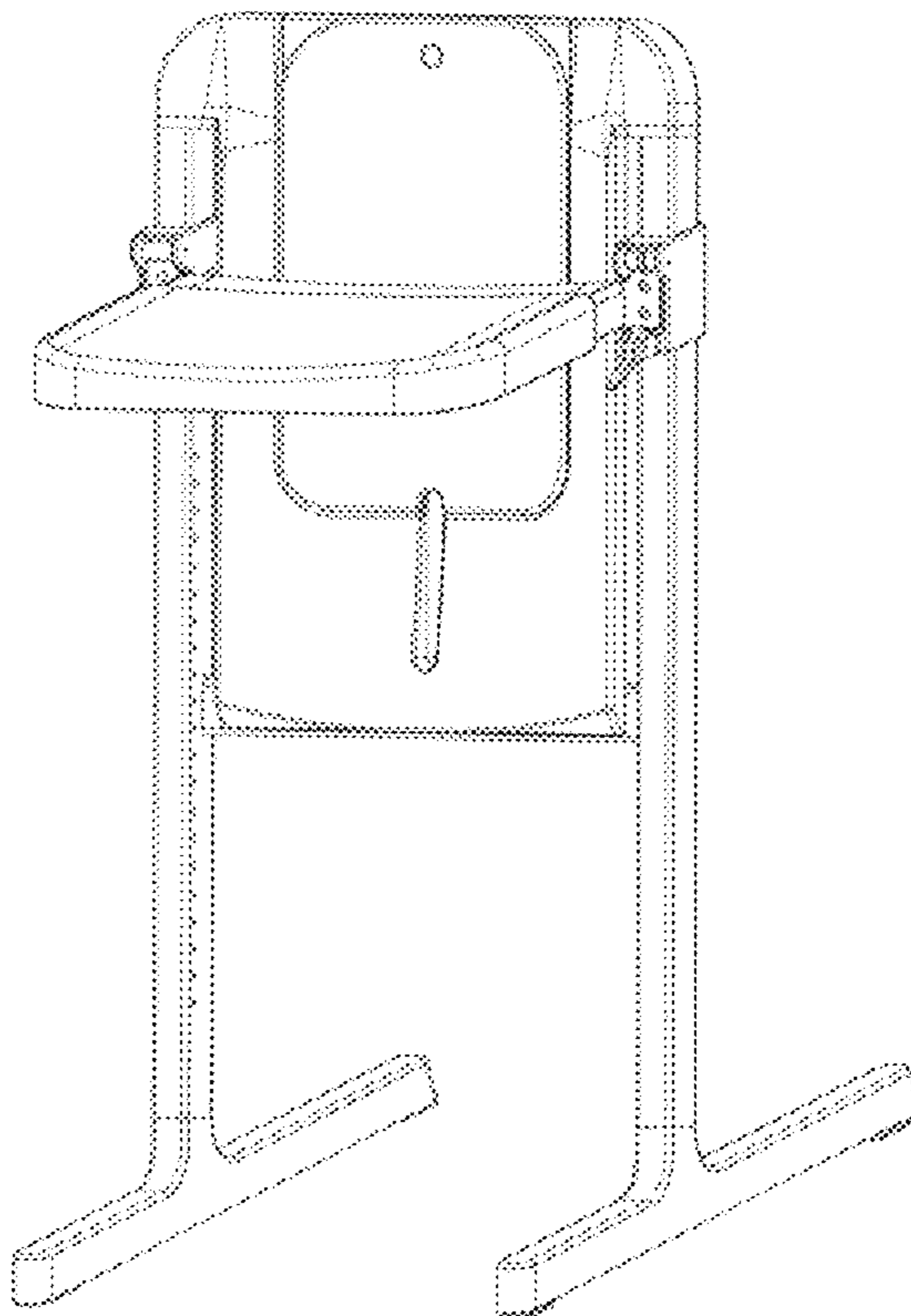
(57) **CLAIM**

The ornamental design for a chair, as shown and described.

DESCRIPTION

FIG. 1 is a perspective view of the chair;
FIG. 2 is a front elevation view thereof;
FIG. 3 is a rear elevation view thereof;
FIG. 4 is a left side elevation view thereof;
FIG. 5 is a right side elevation view thereof;
FIG. 6 is a plan view thereof, taken from above; and,
FIG. 7 is a plan view thereof, taken from below.

1 Claim, 7 Drawing Sheets



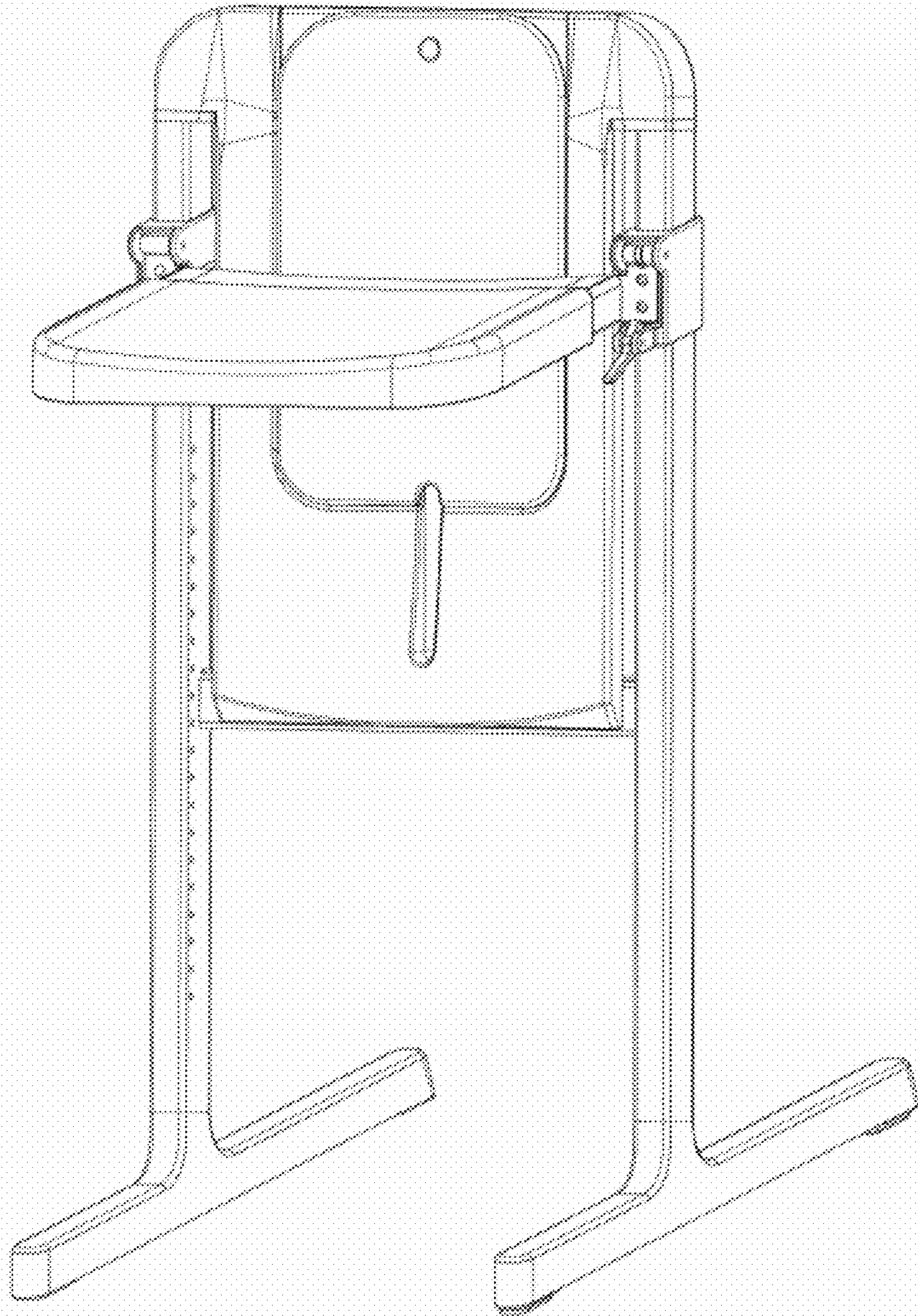


Fig. 1

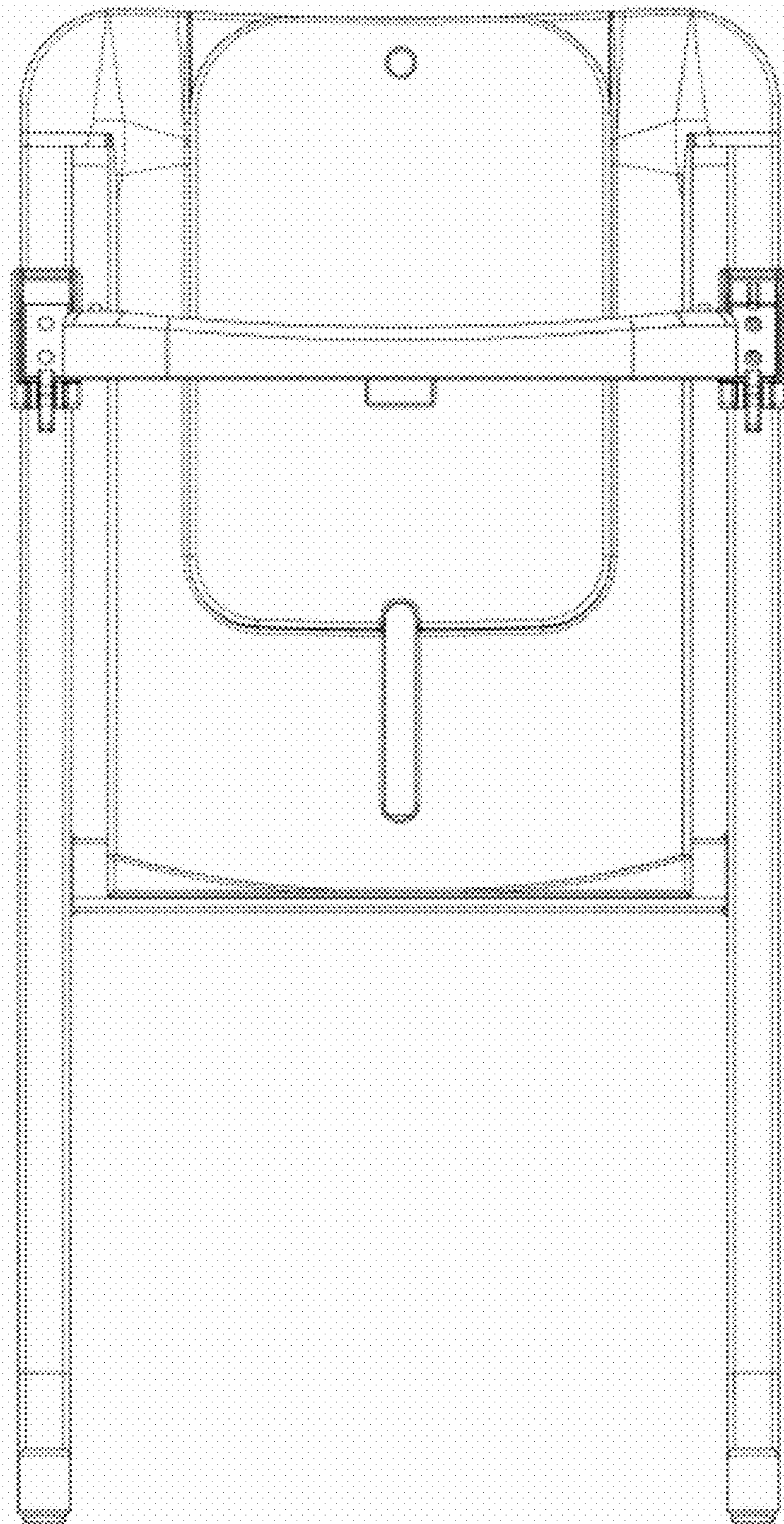


Fig. 2

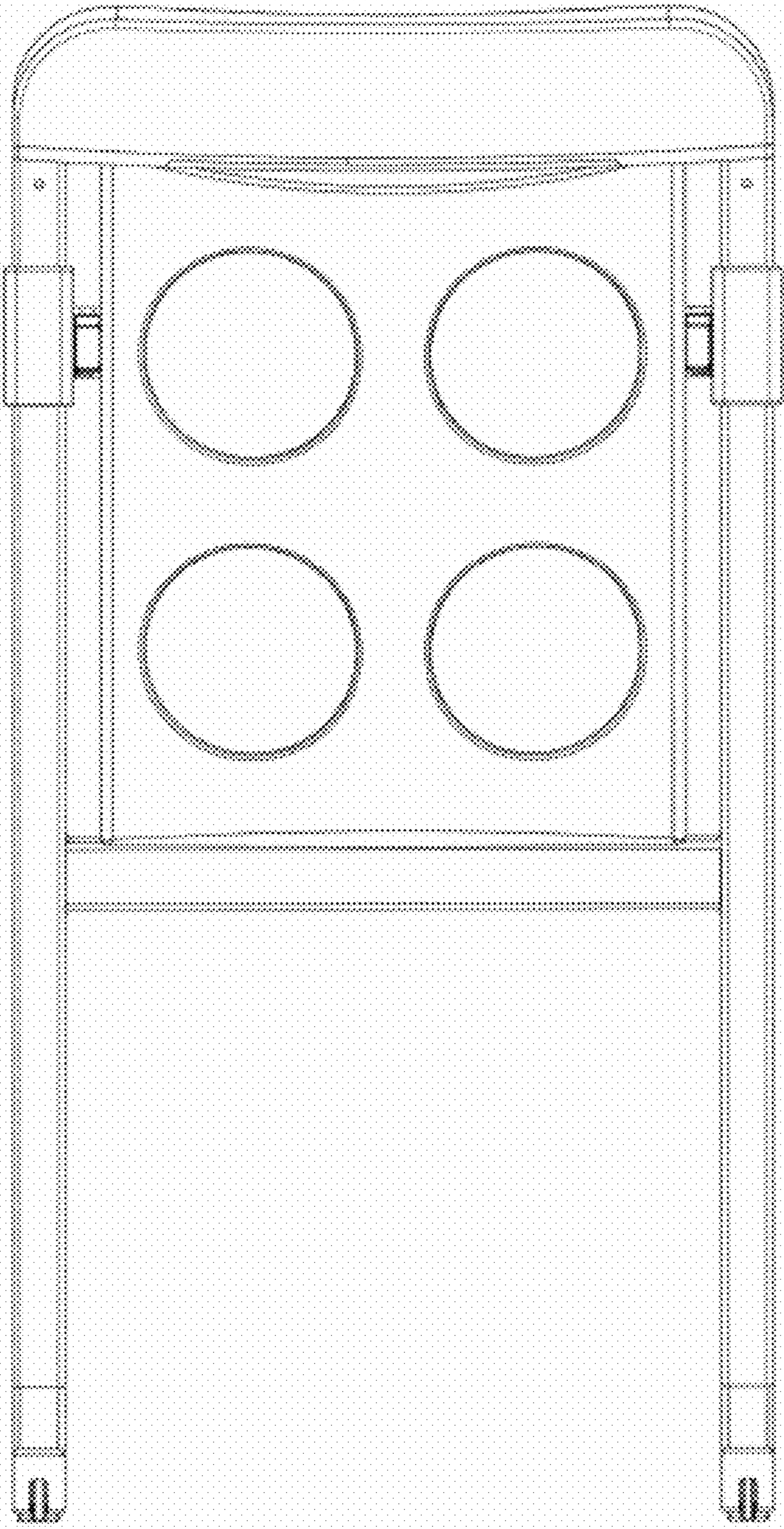


Fig. 3

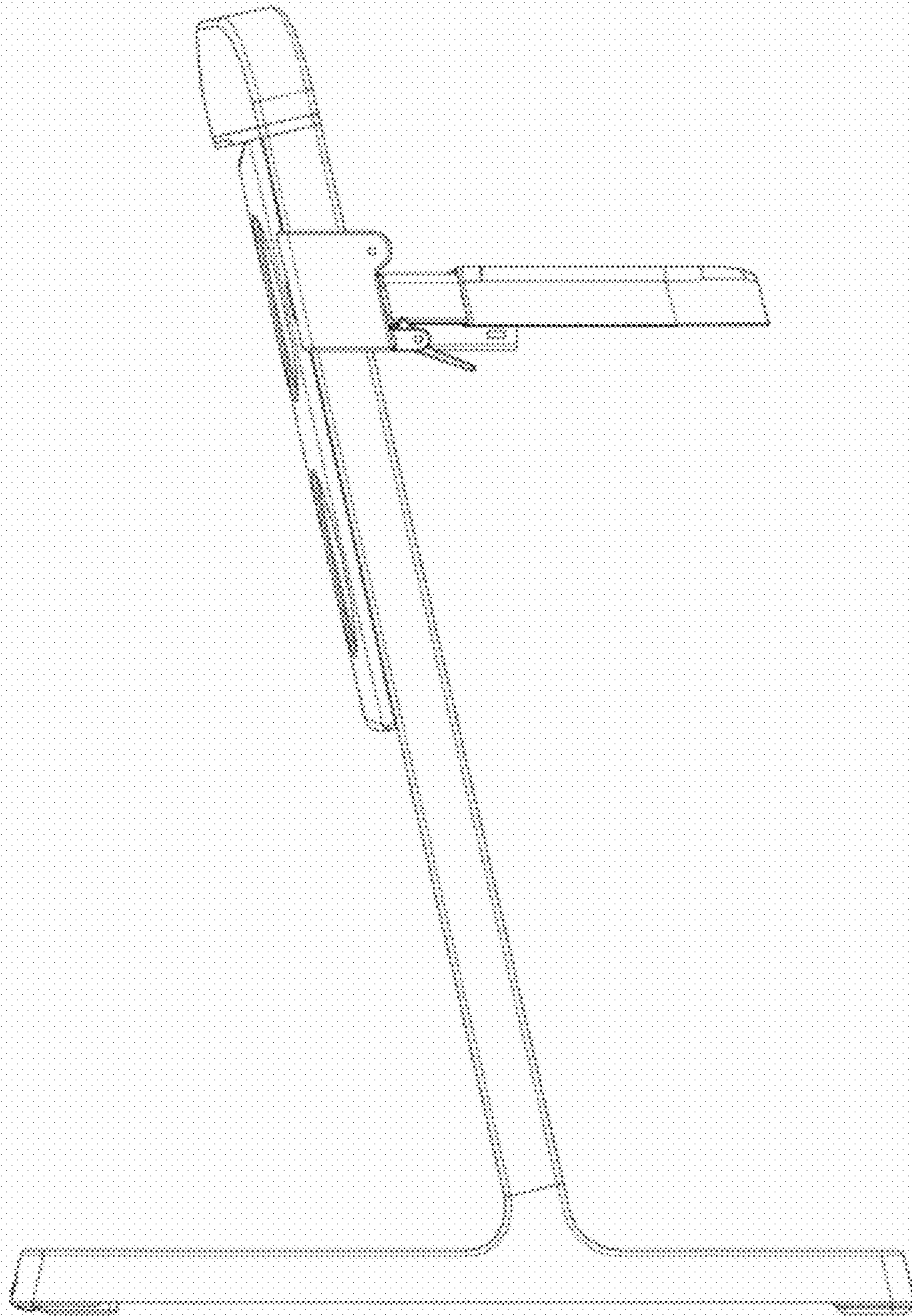


Fig. 4

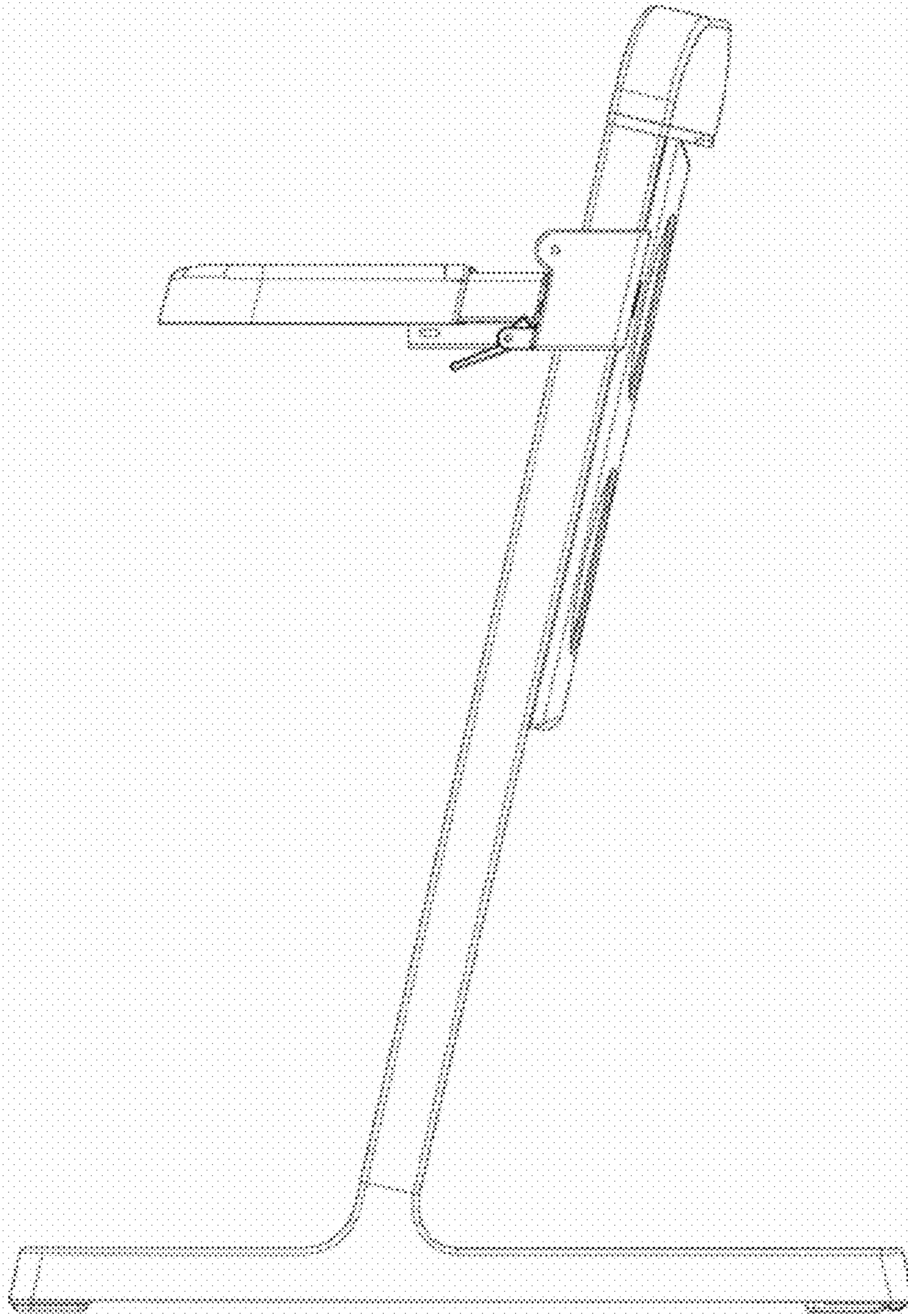


Fig. 5

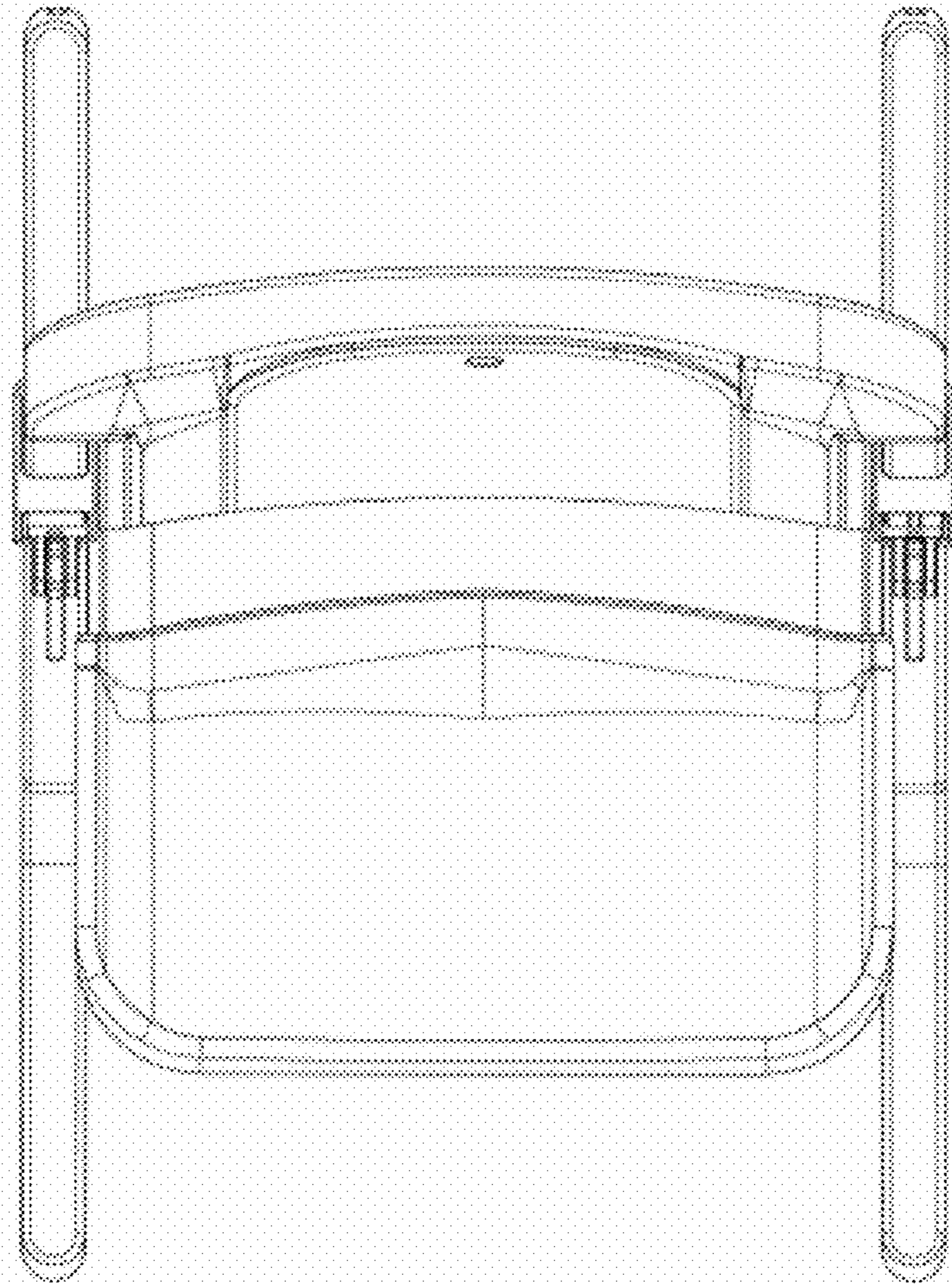


Fig. 6

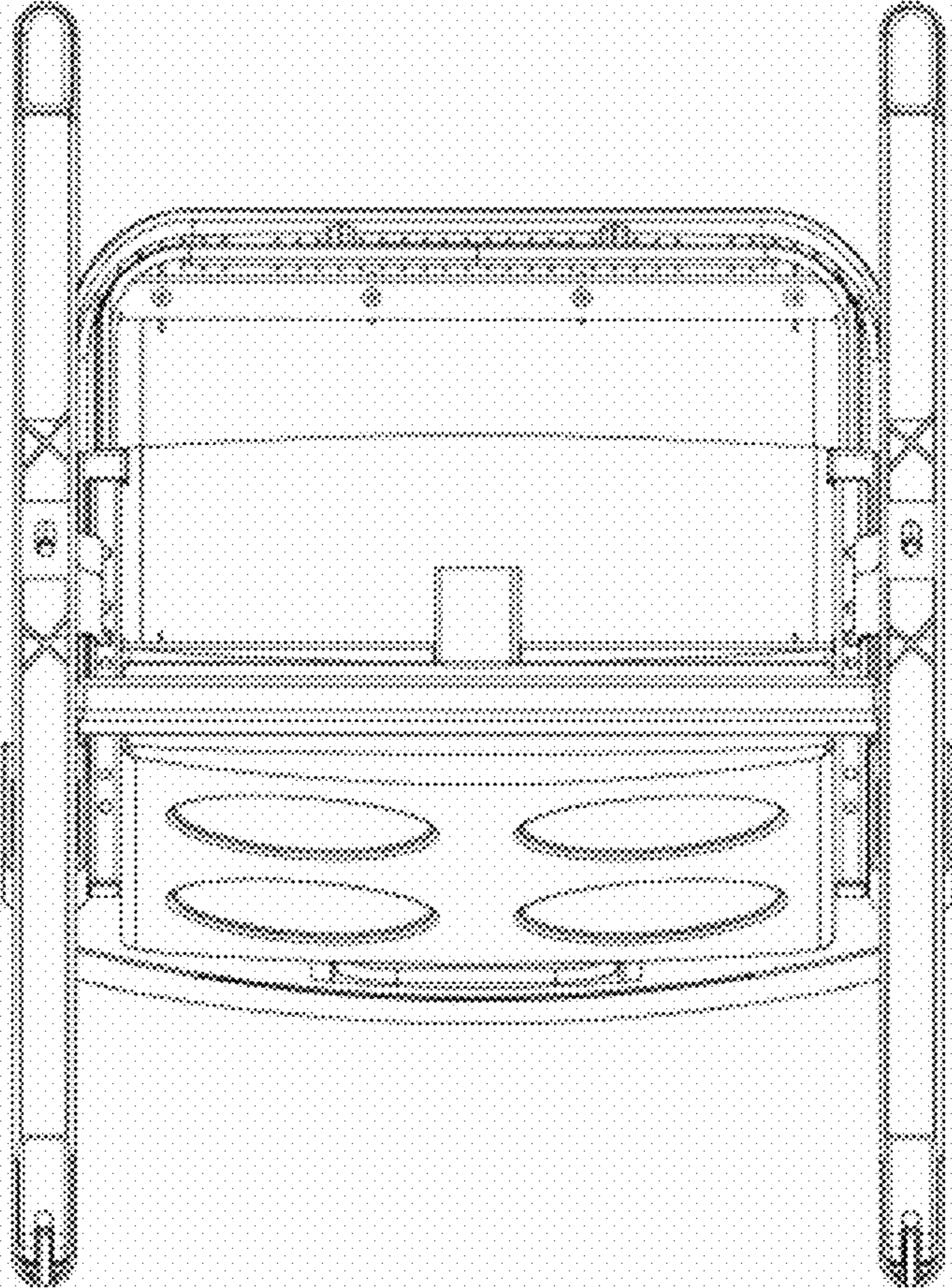


Fig. 7