



US00D664371S

(12) **United States Design Patent**
Wilson

(10) **Patent No.:** **US D664,371 S**
(45) **Date of Patent:** **** Jul. 31, 2012**

(54) **OTTOMAN**
(75) Inventor: **Scott Wilson**, Chicago, IL (US)
(73) Assignee: **Steelcase Inc.**, Grand Rapids, MI (US)
(**) Term: **14 Years**
(21) Appl. No.: **29/391,821**
(22) Filed: **May 13, 2011**
(51) **LOC (9) Cl.** **06-01**
(52) **U.S. Cl.** **D6/349**
(58) **Field of Classification Search** D6/335,
D6/340, 349-355, 495, 500-502; 297/16.1,
297/175, 187, 195.1, 423.1, 423.11, 423.14,
297/423.16, 461, 462
See application file for complete search history.

D402,831 S 12/1998 Chalmers
D407,583 S 4/1999 Perl
D409,861 S 5/1999 Newhouse
D412,256 S 7/1999 Gutgsell
5,954,393 A 9/1999 Perrin
D424,844 S 5/2000 Gutgsell
D435,370 S 12/2000 Gutgsell
D439,772 S 4/2001 Gutgsell
D440,058 S * 4/2001 Owens et al. D6/349
D442,378 S 5/2001 Arad
D444,325 S 7/2001 DeJule
D447,895 S 9/2001 Chen
D458,764 S 6/2002 Starck
D458,776 S 6/2002 Patton
D460,884 S 7/2002 Koepke
D461,345 S 8/2002 Holbrook
6,523,898 B1 2/2003 Ball
D471,039 S 3/2003 Chen
D472,079 S 3/2003 Chen
D475,557 S 6/2003 Su
D475,871 S 6/2003 Tsai
D482,217 S 11/2003 Lin

(Continued)

(56) **References Cited**

U.S. PATENT DOCUMENTS

1,875,377 A 9/1932 Hanson
D181,730 S * 12/1957 Jones et al. D6/349
3,281,185 A 10/1966 Don
3,361,472 A 1/1968 Hasbrouck
D213,872 S * 4/1969 Leistkow D6/349
D217,961 S * 7/1970 Strassle D6/349
D275,341 S 9/1984 Dunbar
D277,906 S * 3/1985 Platner D6/352
D282,221 S 1/1986 Platner
D284,717 S * 7/1986 Murry D6/349
D288,388 S 2/1987 Ochsner
D290,556 S * 6/1987 Strousse et al. D6/349
D293,515 S * 1/1988 Frinier D6/349
D333,058 S 2/1993 Diffrient
5,203,853 A 4/1993 Caruso
D336,166 S * 6/1993 Hollington D6/349
D350,446 S 9/1994 Sauvage
D355,317 S 2/1995 Gutgsell
D356,913 S 4/1995 Walsh

Primary Examiner — Sandra Snapp

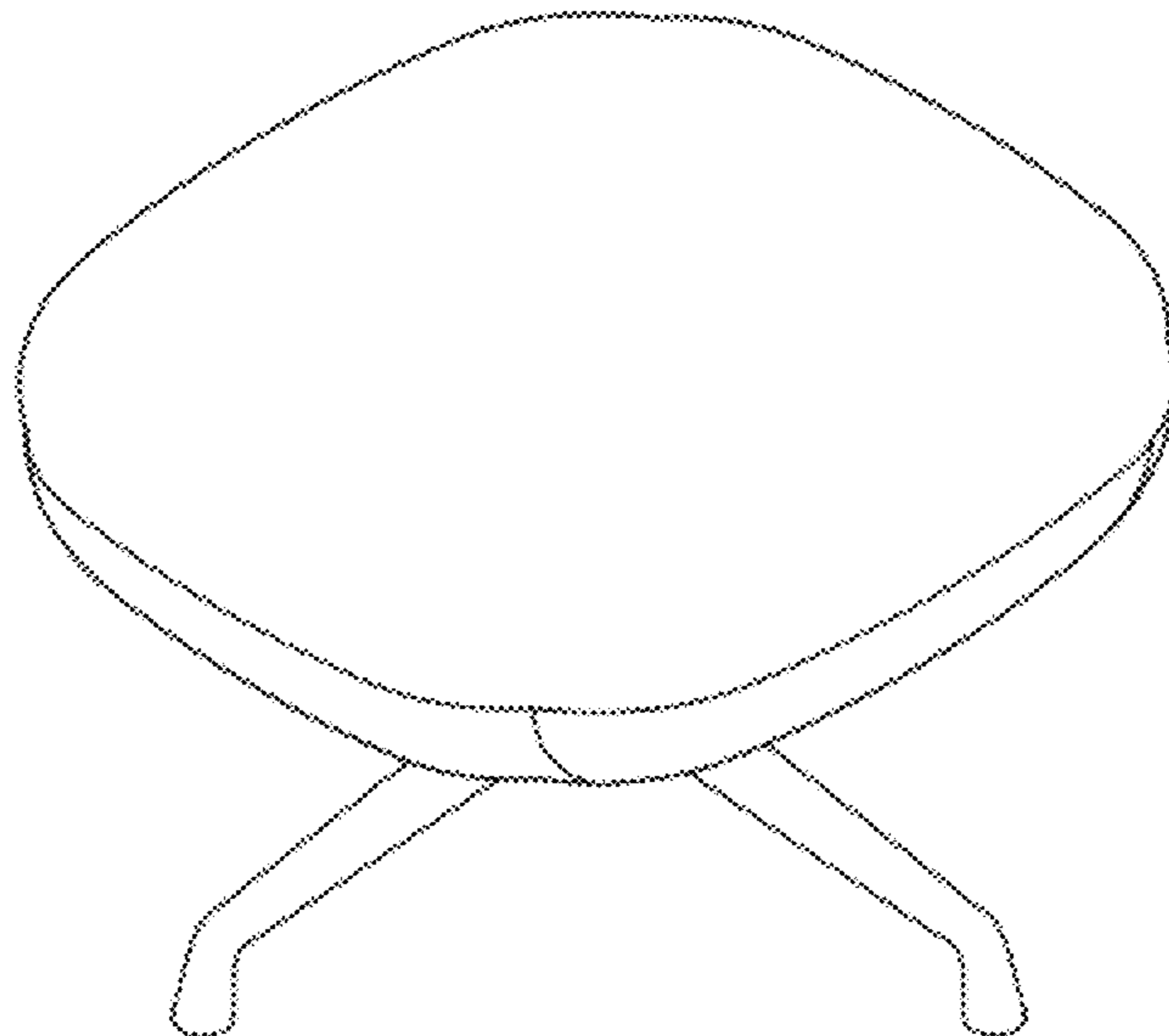
(57) **CLAIM**

I claim the ornamental design for an ottoman, as shown and described.

DESCRIPTION

FIG. 1 is a front perspective view of an ottoman, according to one embodiment;
FIG. 2 is a front view of an ottoman of FIG. 1, the rear view is a mirror image of the front view of FIG. 2;
FIG. 3 is a left side view of an ottoman of FIG. 1, the right side view is a mirror image of the left side view of FIG. 3;
FIG. 4 is a top view of an ottoman of FIG. 1; and,
FIG. 5 is a bottom view of an ottoman of FIG. 1.

1 Claim, 2 Drawing Sheets



US D664,371 S

Page 2

U.S. PATENT DOCUMENTS							
D482,549	S	11/2003	Tsai	D557,043	S	12/2007	Egger
6,644,749	B2	11/2003	VanDeRiet	D557,916	S	12/2007	Dietrich
D492,505	S	7/2004	Newhouse	D560,406	S	1/2008	Privatt
D492,517	S	7/2004	Risdon	D560,918	S	2/2008	Fuksas
D493,986	S	8/2004	Fu	D561,498	S	2/2008	Egger
D494,387	S	8/2004	McDiarmid	D568,617	S	5/2008	Jehs
D494,785	S	8/2004	Chen	D569,136	S	5/2008	Pearsons
D494,787	S	8/2004	Fu	D569,662	S	5/2008	Simonsen
D507,436	S	7/2005	Chao	D569,663	S	5/2008	Pearsons
D509,387	S	9/2005	Chen	D574,164	S	8/2008	Lambert
D518,318	S	4/2006	Koepke	D575,967	S	9/2008	Cuvilly
D518,968	S	4/2006	Magnani	D579,239	S	10/2008	Massaud
D524,582	S	7/2006	Tsai	D582,183	S	12/2008	Egger
D525,461	S	7/2006	Egger	D583,592	S	12/2008	Johnson
D525,462	S	7/2006	Egger	D583,593	S	12/2008	Egger
D526,822	S	8/2006	Chen	D583,594	S	12/2008	Tamara
D530,543	S	10/2006	High	D584,521	S	1/2009	Massaud
D540,047	S	* 4/2007	Mourgue D6/352	D584,901	S	1/2009	Massaud
D543,058	S	5/2007	Quintal	D584,907	S	1/2009	Egger
D544,731	S	6/2007	Su	D585,655	S	2/2009	Pearson
D544,732	S	6/2007	Mazzera	D585,656	S	2/2009	Massaud
D544,733	S	6/2007	Mazzera	D585,657	S	2/2009	Massaud
D544,734	S	6/2007	Quintal	D585,669	S	2/2009	Gharabegian
D546,085	S	7/2007	Ritch	D586,137	S	2/2009	Massaud
D549,014	S	8/2007	Donati	D587,916	S	3/2009	Bouroullec
D550,988	S	9/2007	Mazzera	D590,187	S	4/2009	Domack
D551,867	S	10/2007	Yusuf	D600,930	S	9/2009	Overthun
D552,385	S	10/2007	Yeh	D603,630	S	11/2009	True
D555,918	S	* 11/2007	Massaud D6/349	D608,552	S	* 1/2010	Jehs et al. D6/349

* cited by examiner

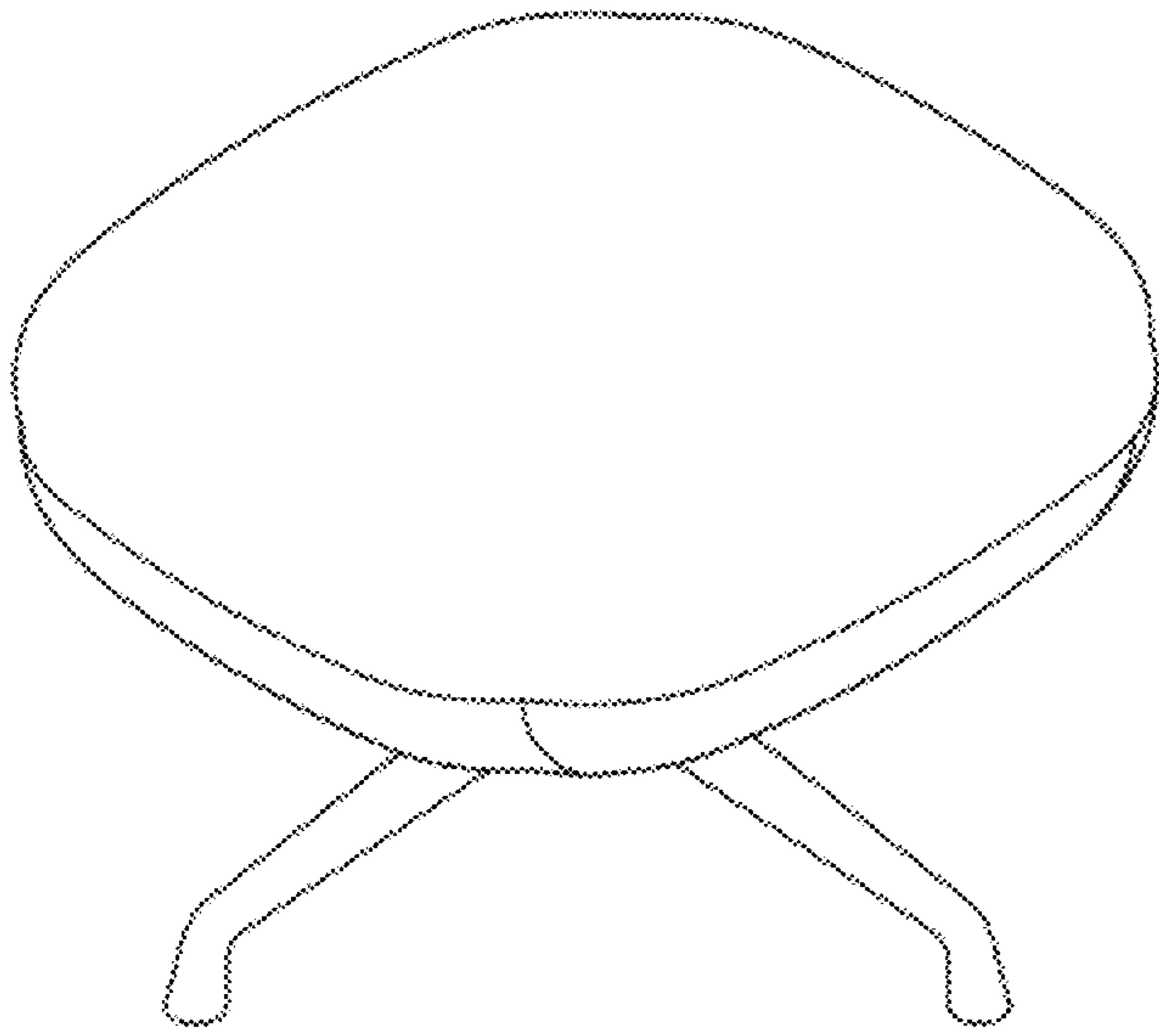


FIG. 1

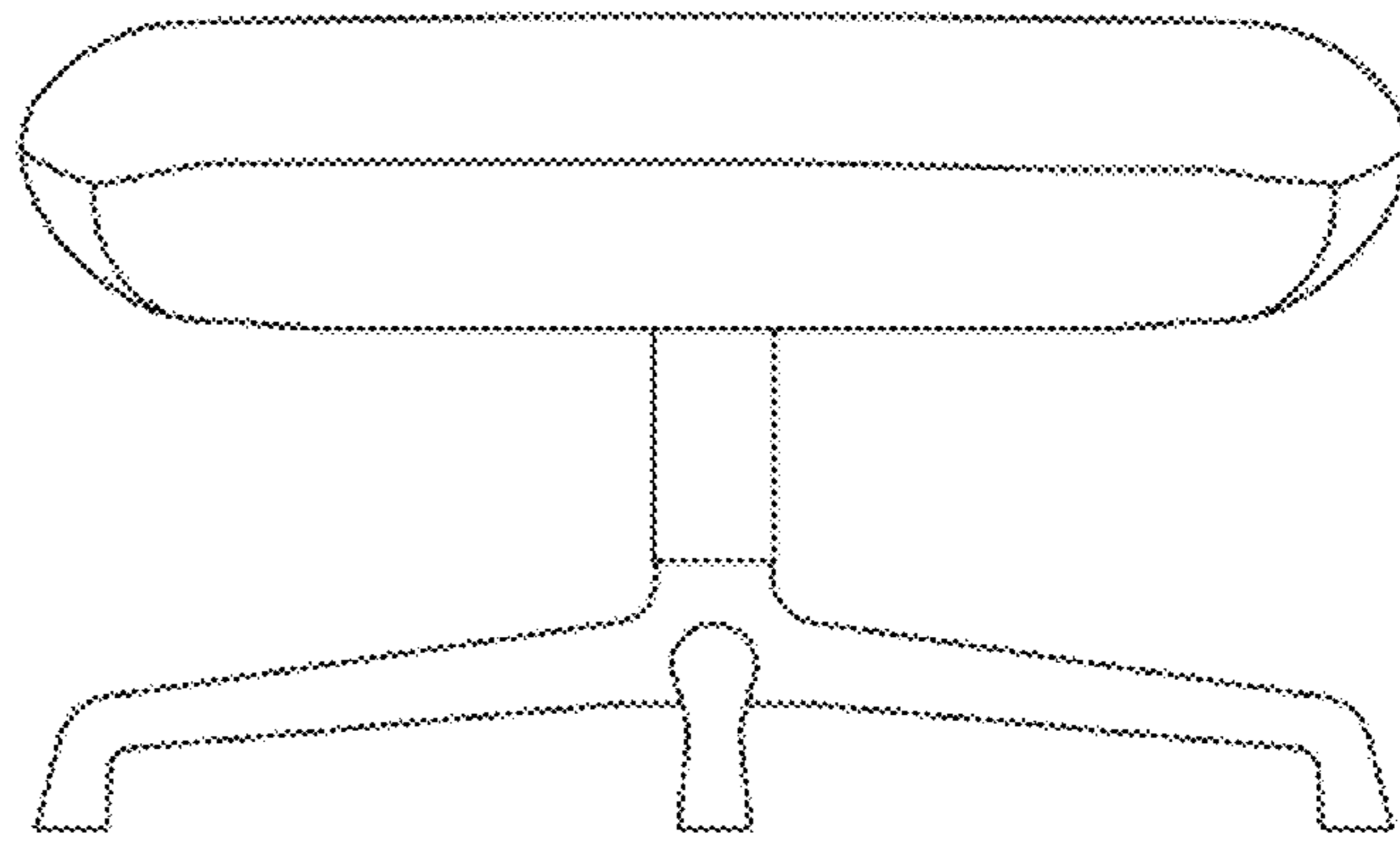


FIG. 2

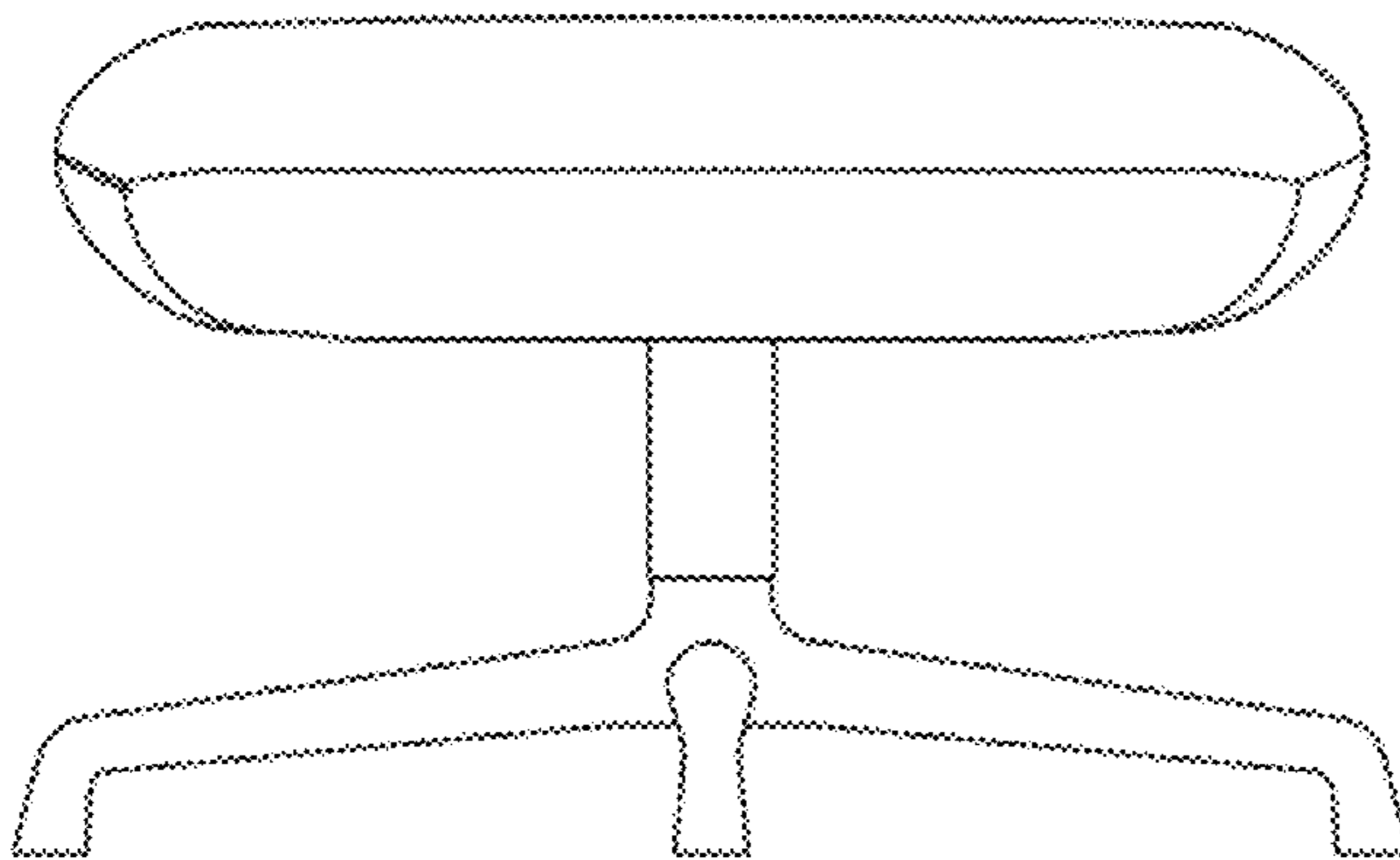


FIG. 3

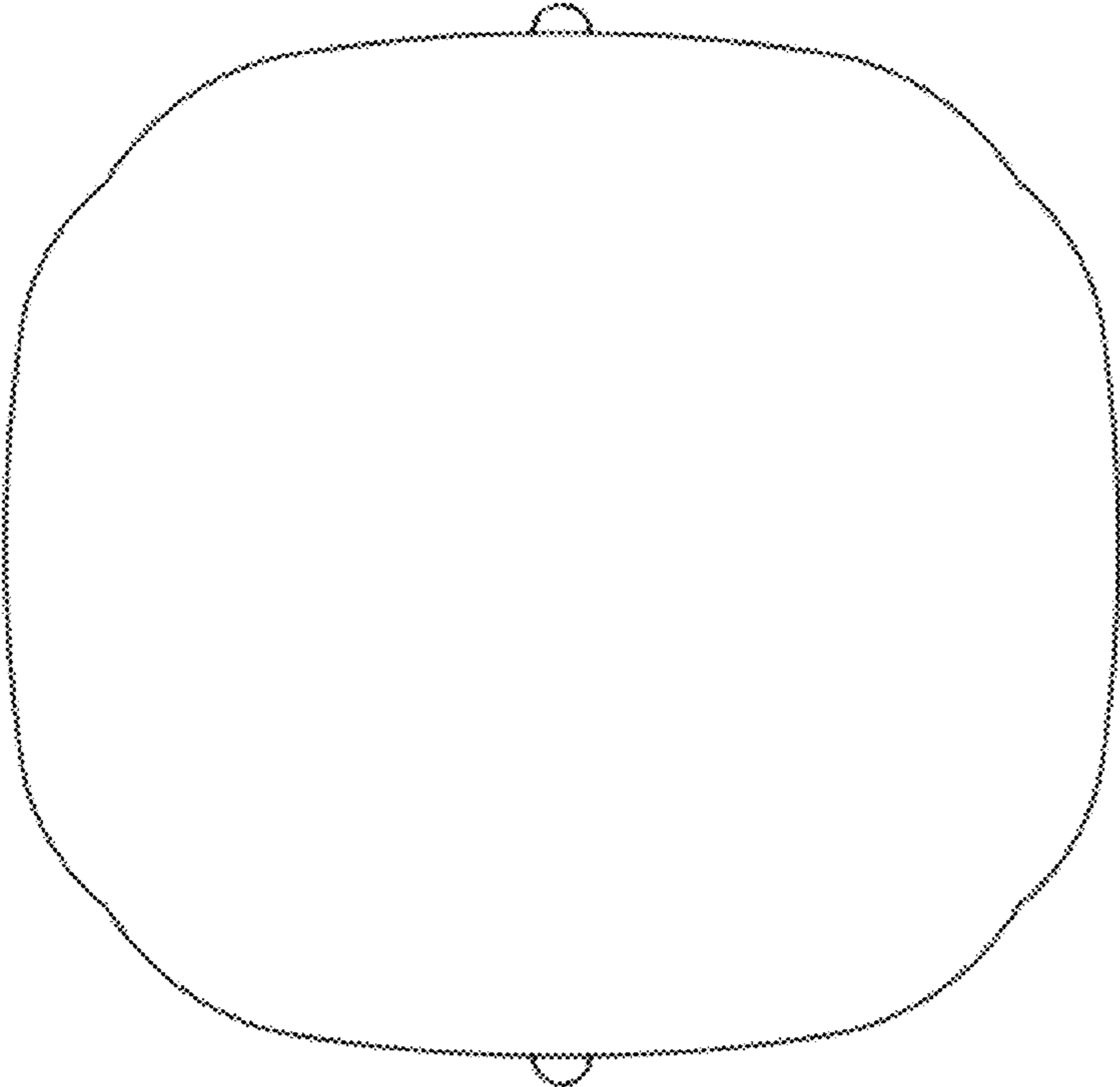


FIG. 4

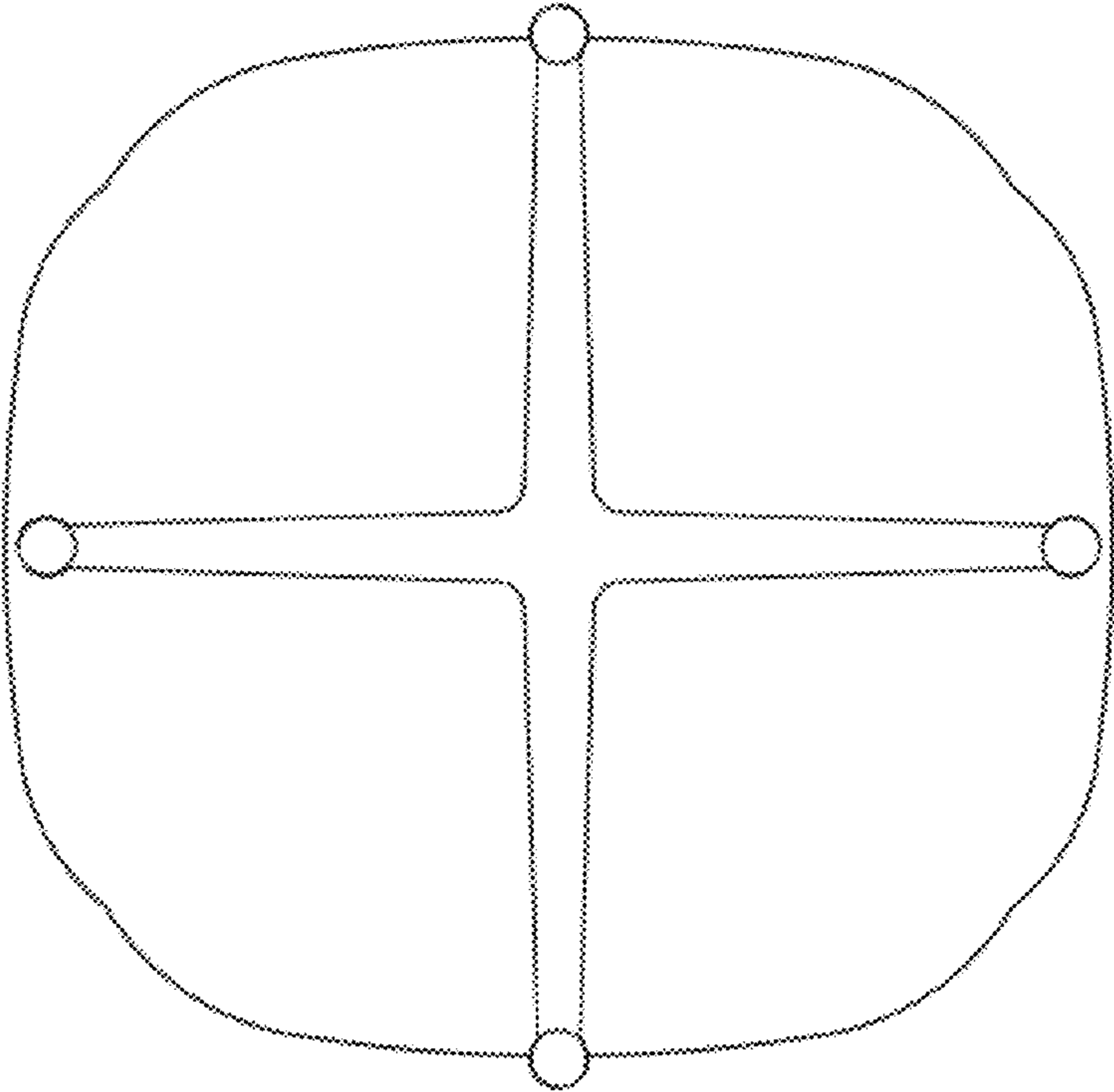


FIG. 5