



US00D664370S

(12) **United States Design Patent**
Suman

(10) **Patent No.:** **US D664,370 S**
(45) **Date of Patent:** **** Jul. 31, 2012**

(54) **DISPLAY HOLDER**

(76) Inventor: **Michael J. Suman**, Caledonia, MI (US)

(**) Term: **14 Years**

(21) Appl. No.: **29/408,297**

(22) Filed: **Dec. 9, 2011**

(51) **LOC (9) Cl.** **06-07**

(52) **U.S. Cl.** **D6/310**

(58) **Field of Classification Search** D6/374,
D6/449, 419, 310, 311, 328, 329, 396, 408,
D6/420, 462, 467, 509; D26/152; 248/460,
248/456, 451, 371, 349.1, 176.1; D14/224,
D14/434, 447, 137; 211/42

See application file for complete search history.

(56) **References Cited**

U.S. PATENT DOCUMENTS

581,098	A	4/1897	Berbecker	
1,485,786	A *	3/1924	Kraft	248/460
D165,776	S *	1/1952	Nelson	D6/374
3,255,989	A	6/1966	Risk	
4,871,139	A *	10/1989	Loewke et al.	248/460
5,102,088	A	4/1992	Ramani	
D364,158	S *	11/1995	Branch	D14/137
5,516,072	A *	5/1996	Shinno	248/460
5,607,135	A *	3/1997	Yamada	248/456
D380,629	S *	7/1997	Shinno	D6/449
D394,660	S *	5/1998	Hrach et al.	D14/224
D399,368	S *	10/1998	Herrera	D6/419
D404,932	S	2/1999	Duggan	
D435,360	S	12/2000	Gentile et al.	
6,378,707	B1 *	4/2002	Taggart	211/42
6,386,500	B1 *	5/2002	Dainoff et al.	248/451
6,488,252	B1	12/2002	Ibrahim	
D468,542	S	1/2003	Hennekes	

D512,066	S *	11/2005	Solomon et al.	D14/434
D554,647	S *	11/2007	Chan	D14/447
D595,896	S *	7/2009	Boyer et al.	D26/152
7,712,719	B2	5/2010	Derry et al.	
7,762,519	B2	7/2010	Kunii et al.	
7,861,995	B2	1/2011	Lion	
7,980,737	B2	7/2011	Hu	
8,056,871	B2 *	11/2011	Matias	248/176.1
2010/0116952	A1	5/2010	Nielsen	
2010/0243850	A1	9/2010	Derry	
2010/0294909	A1	11/2010	Hauser et al.	
2011/0180682	A1	7/2011	Tarnutzer et al.	

* cited by examiner

Primary Examiner — Philip S Hyder
Assistant Examiner — Sydney Buffalow
(74) *Attorney, Agent, or Firm* — Price Heneveld LLP

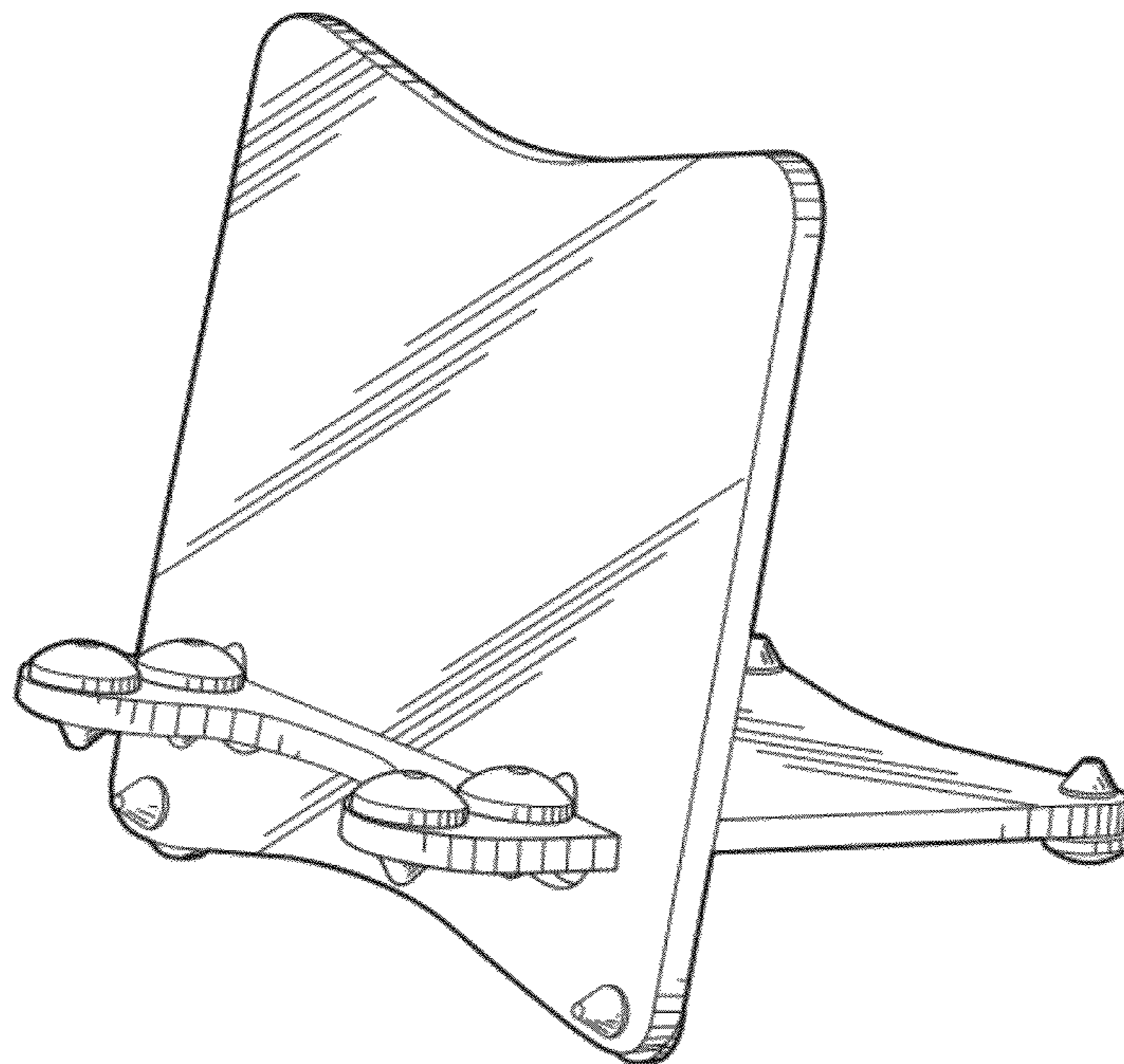
(57) **CLAIM**

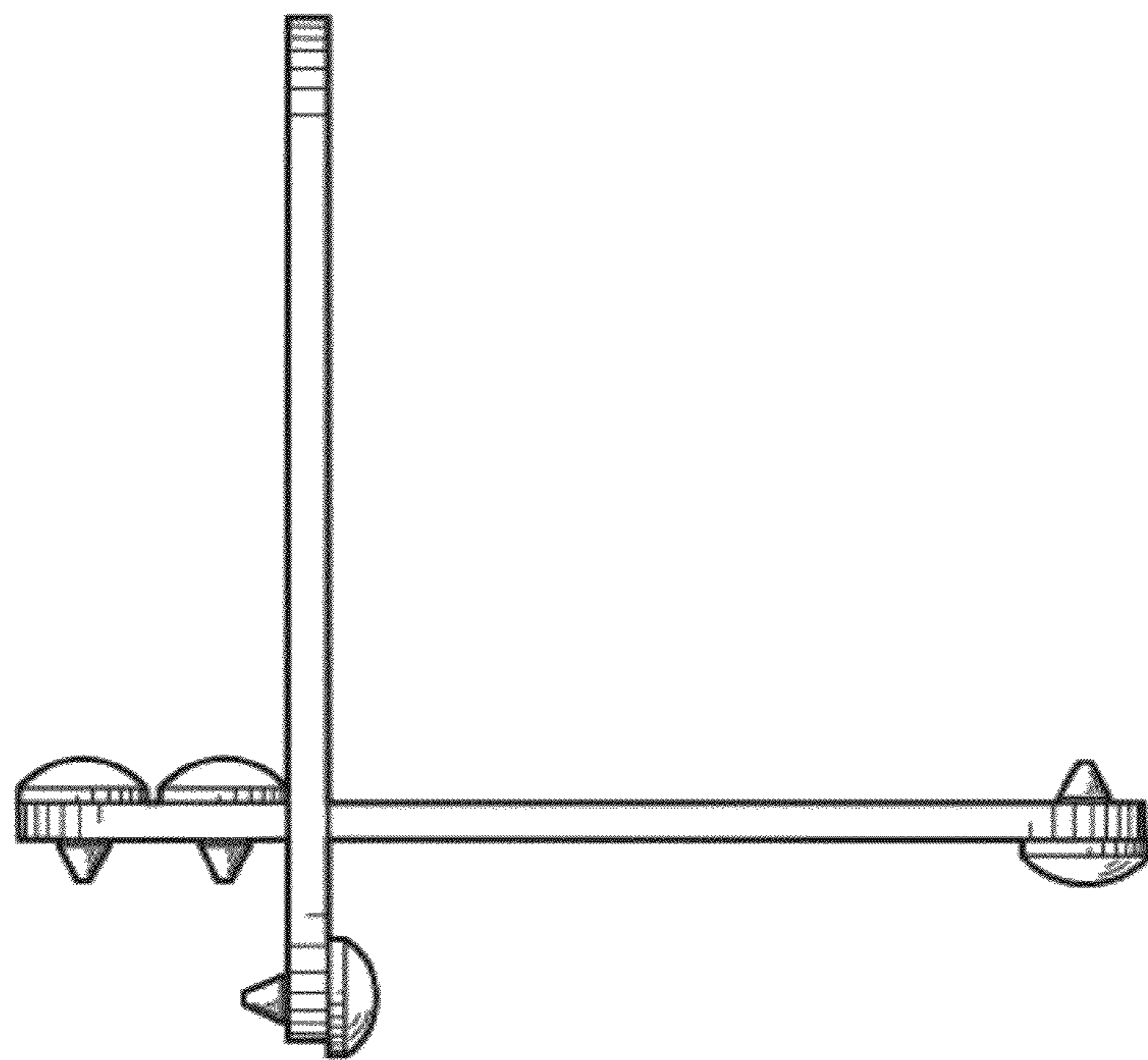
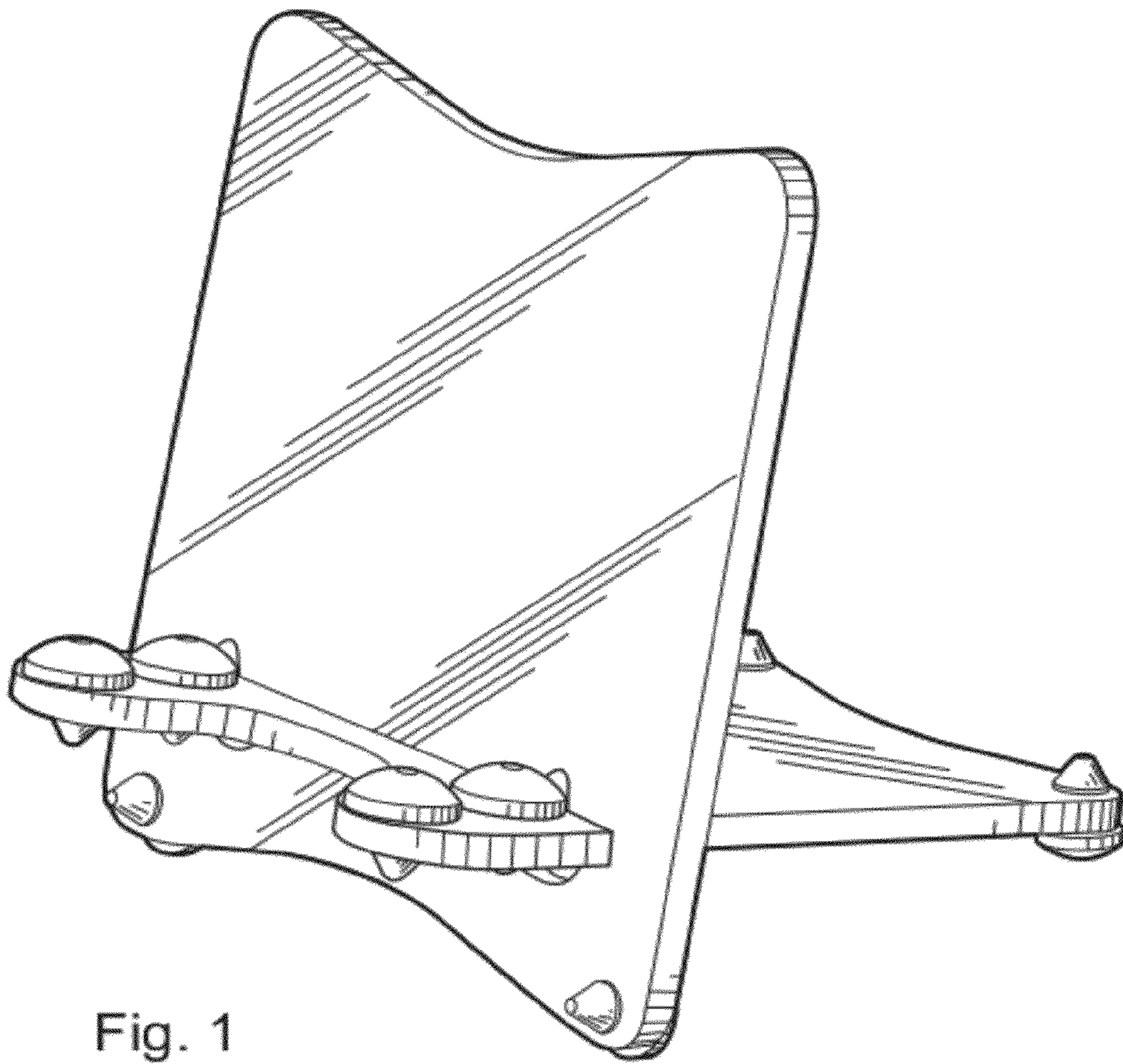
I claim the ornamental design for display holder, as shown and described.

DESCRIPTION

FIG. 1 is a perspective view of a display holder showing the present invention.
FIG. 2 is a right side view of FIG. 1, the left side being a mirror image.
FIG. 3 is a front view of FIG. 1.
FIG. 4 is a top view of FIG. 1.
FIG. 5 is a rear view of FIG. 1.
FIG. 6 is a bottom view of FIG. 1.
FIG. 7 is an exploded perspective of FIG. 1; and,
FIG. 8 is a side view similar to FIG. 2 but with a cell phone thereon to show environment.
The dashed lines represent environment and do not form a part of the present invention.

1 Claim, 4 Drawing Sheets





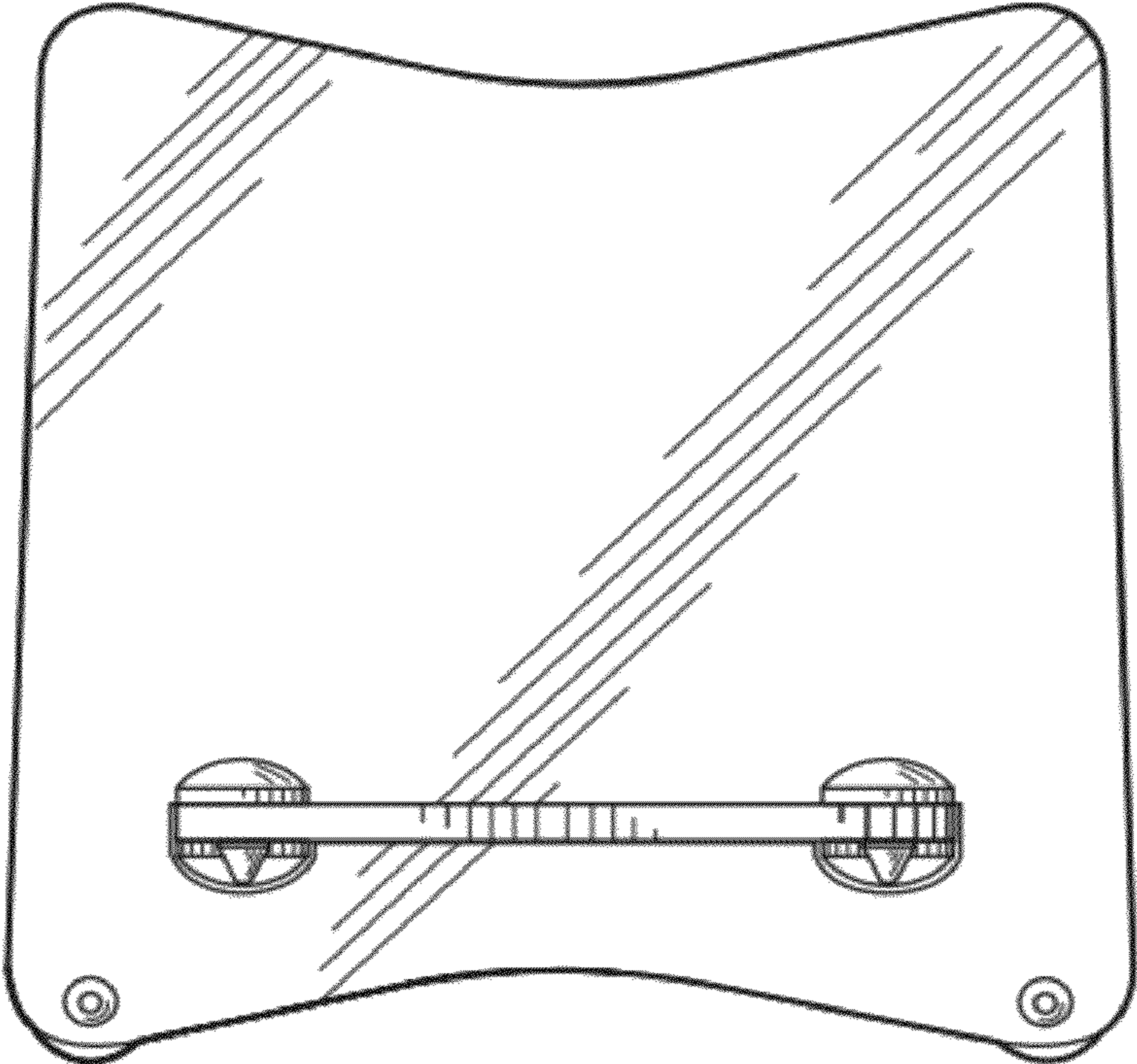


Fig. 3

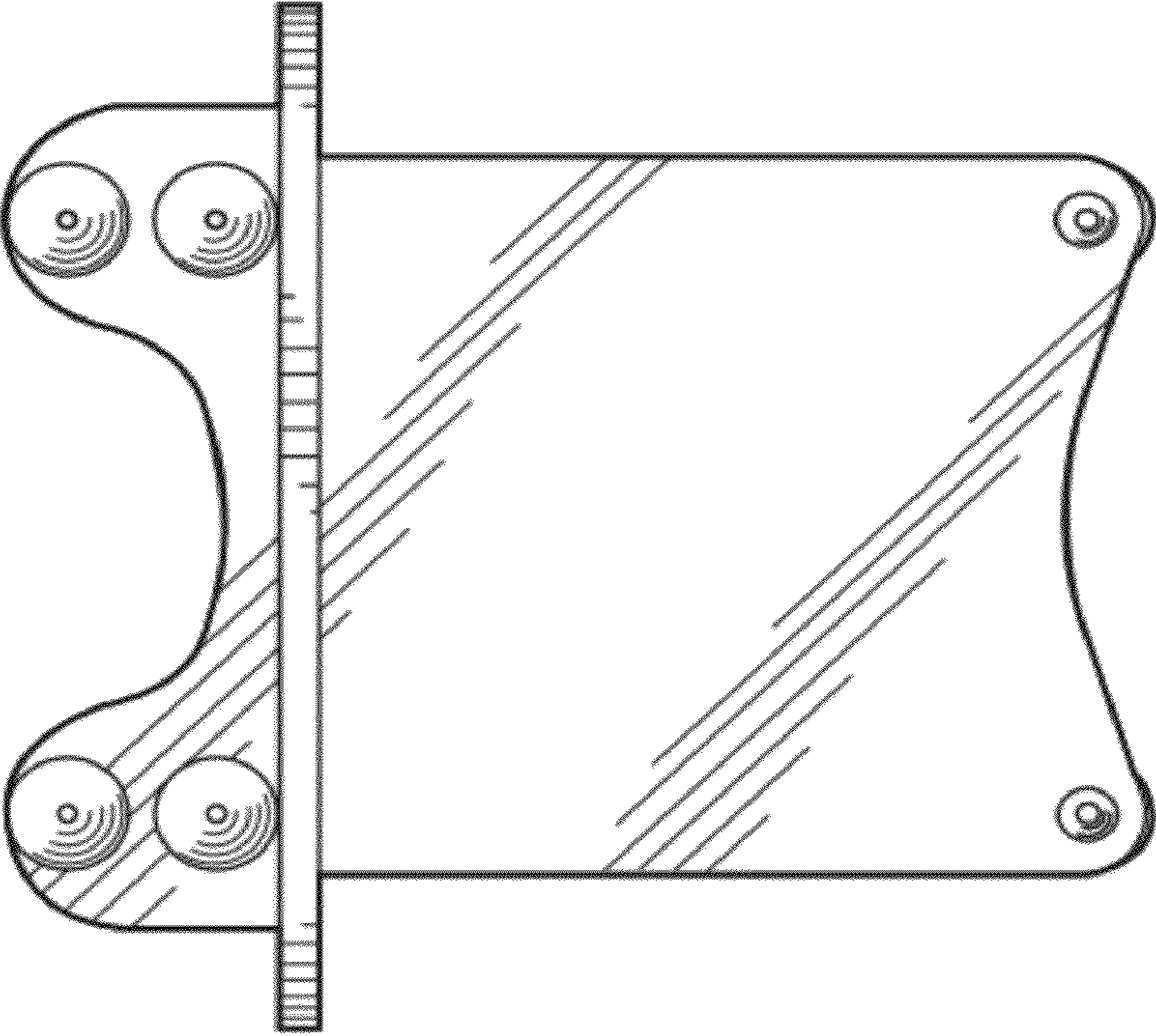


Fig. 4

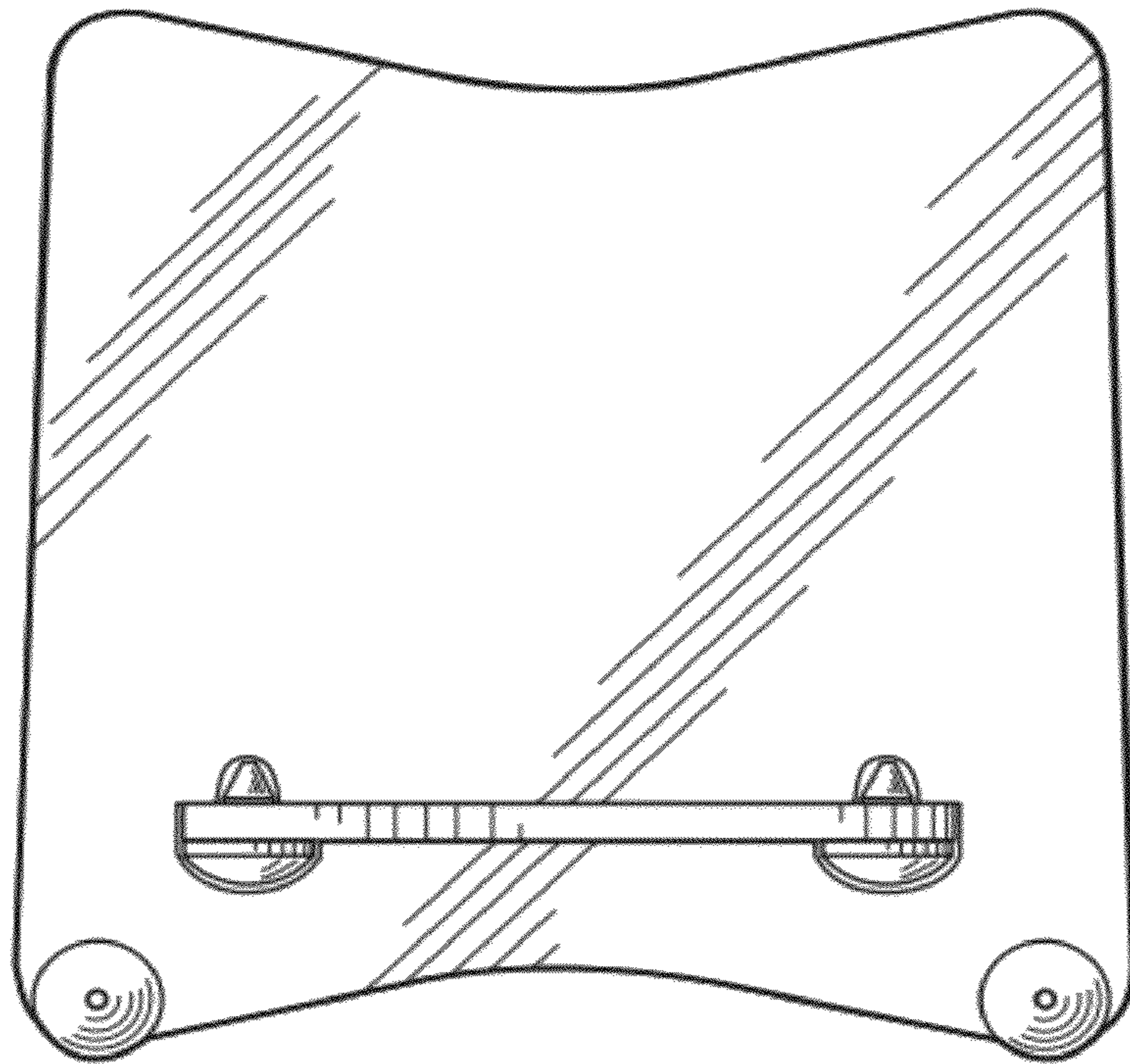


Fig. 5

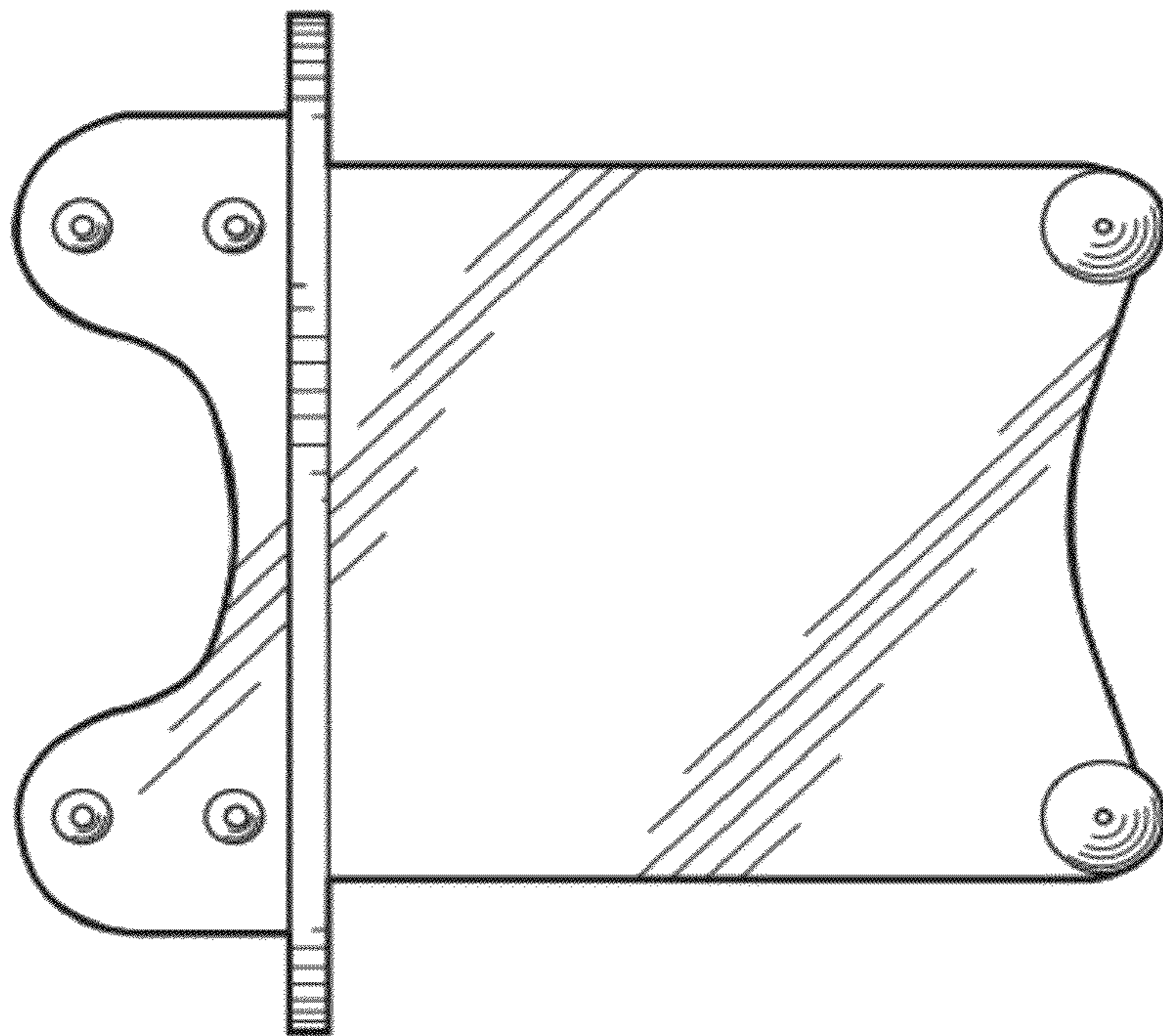


Fig. 6

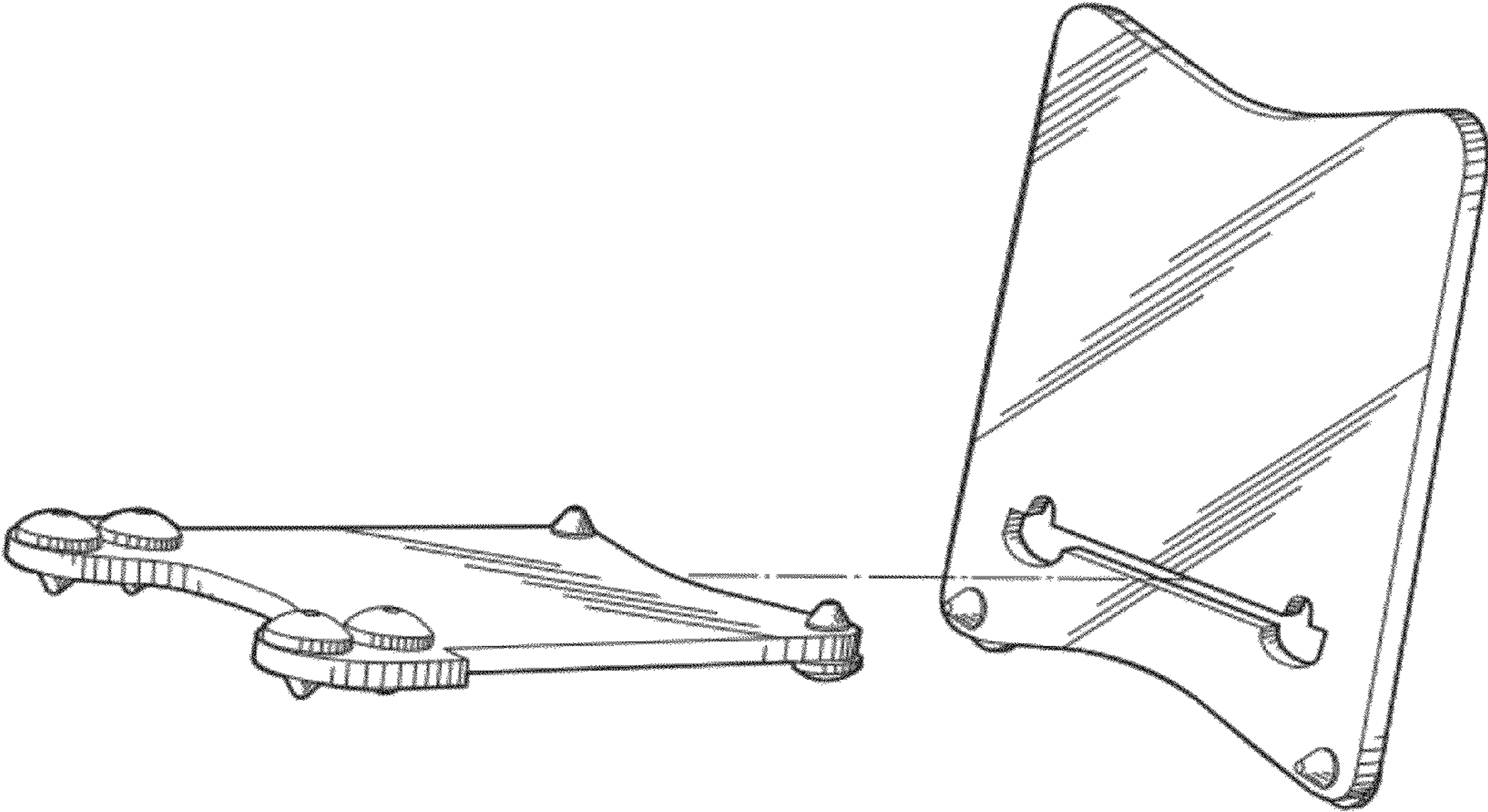


Fig. 7

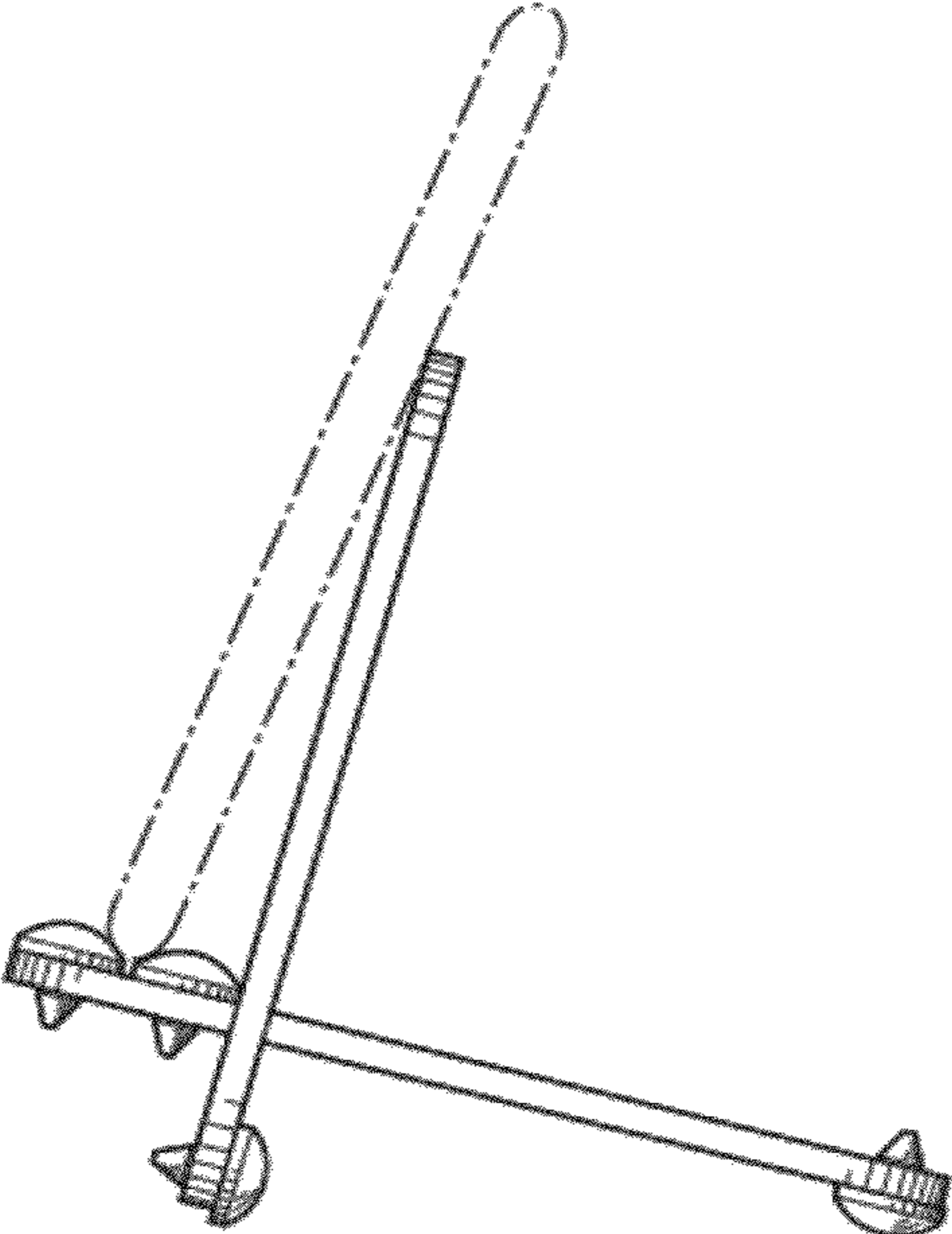


Fig. 8