

US00D664369S

(12) **United States Design Patent**
Duma

(10) **Patent No.:** **US D664,369 S**

(45) **Date of Patent:** **** Jul. 31, 2012**

(54) **MIRROR**

(76) Inventor: **Radu Duma**, Vancouver, WA (US)

(**) Term: **14 Years**

(21) Appl. No.: **29/365,355**

(22) Filed: **Jul. 8, 2010**

(51) **LOC (9) Cl.** **06-07**

(52) **U.S. Cl.** **D6/309**

(58) **Field of Classification Search** D6/309,
D6/308, 300; D26/85-87, 123; 40/757,
40/718, 700; 362/157; 264/129; D28/64.1;
359/840

See application file for complete search history.

(56) **References Cited**

U.S. PATENT DOCUMENTS

D636,611 S * 4/2011 Duma D6/309
D650,760 S * 12/2011 Hussell et al. D13/180
D653,860 S * 2/2012 Duma D6/303

D658,603 S * 5/2012 Egawa et al. D13/180
* cited by examiner

Primary Examiner — Philip S Hyder

Assistant Examiner — Sydney Buffalow

(74) *Attorney, Agent, or Firm* — Peter A Haas Esquire LLC

(57) **CLAIM**

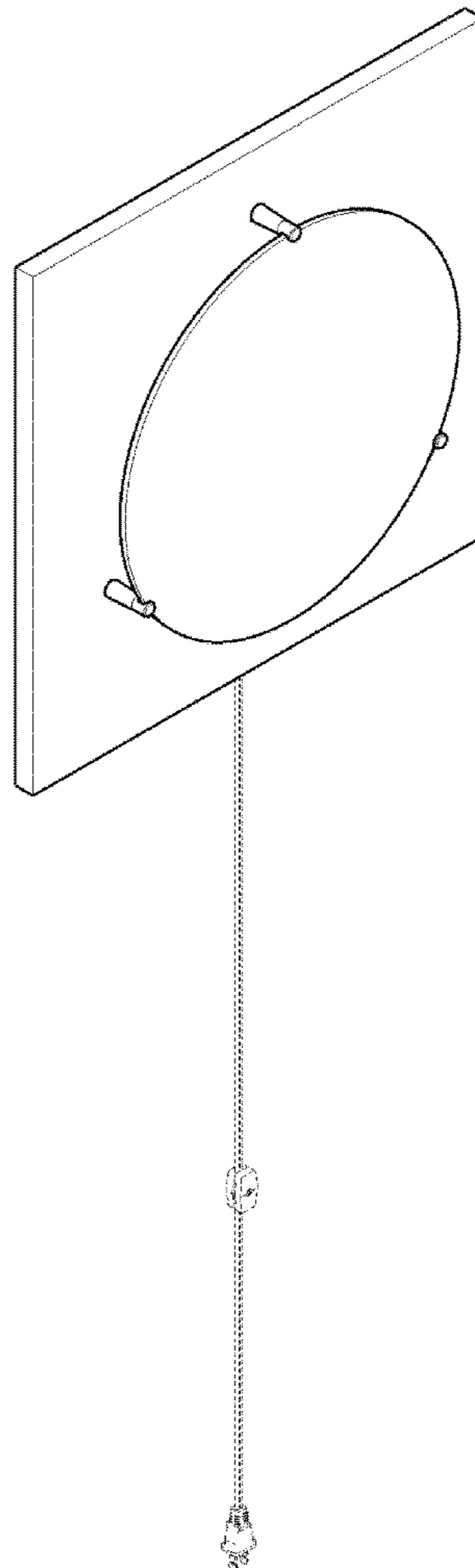
The ornamental design for a mirror, as shown and described.

DESCRIPTION

FIG. 1 is an perspective frontal view of the invention;
FIG. 2 is a front view of the invention;
FIG. 3 is a right side view of the invention, the left side being
a mirror image thereof, invention is symmetric left to right;
FIG. 4 is a top view of the invention;
FIG. 5 is bottom view of the invention;
FIG. 6 is a rear view of the invention; and,
FIG. 7 is an perspective rear view of the invention.

The broken lines shown in the drawings are directed to
unclaimed structure that forms no part of the claimed design.

1 Claim, 3 Drawing Sheets



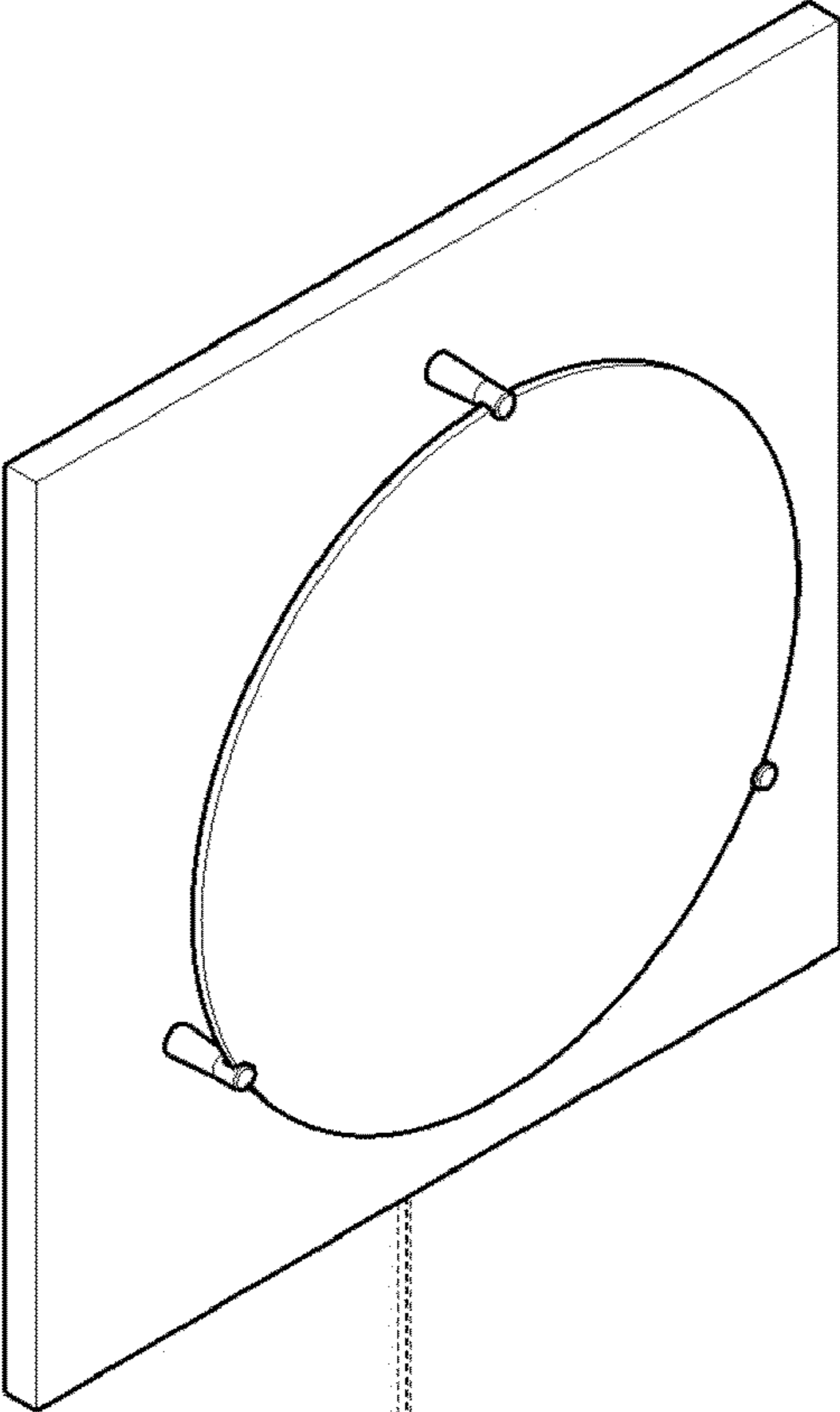
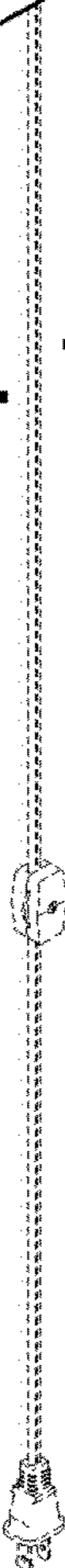


FIG. 1



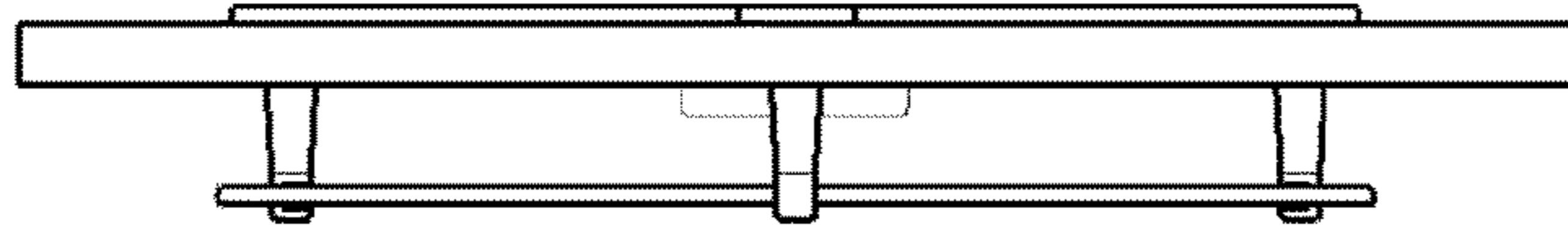


FIG. 4

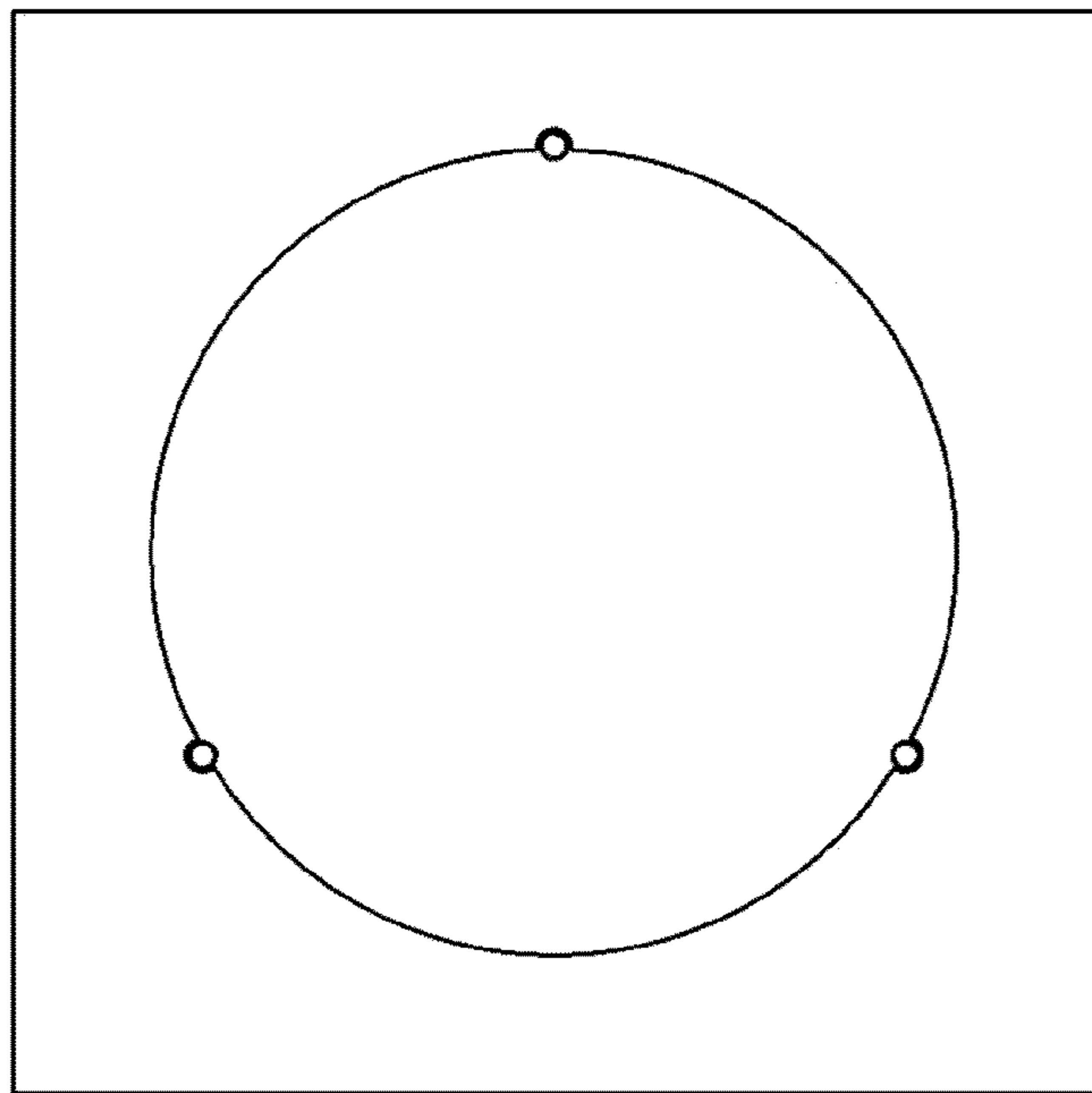


FIG. 2

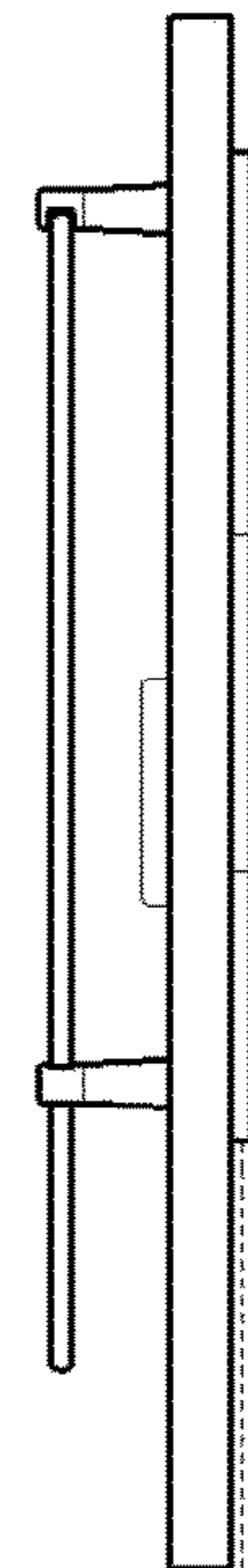


FIG. 3

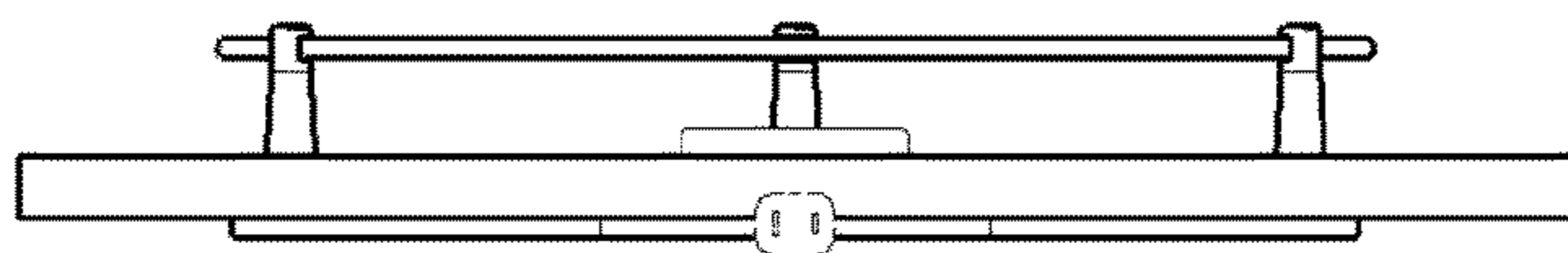


FIG. 5

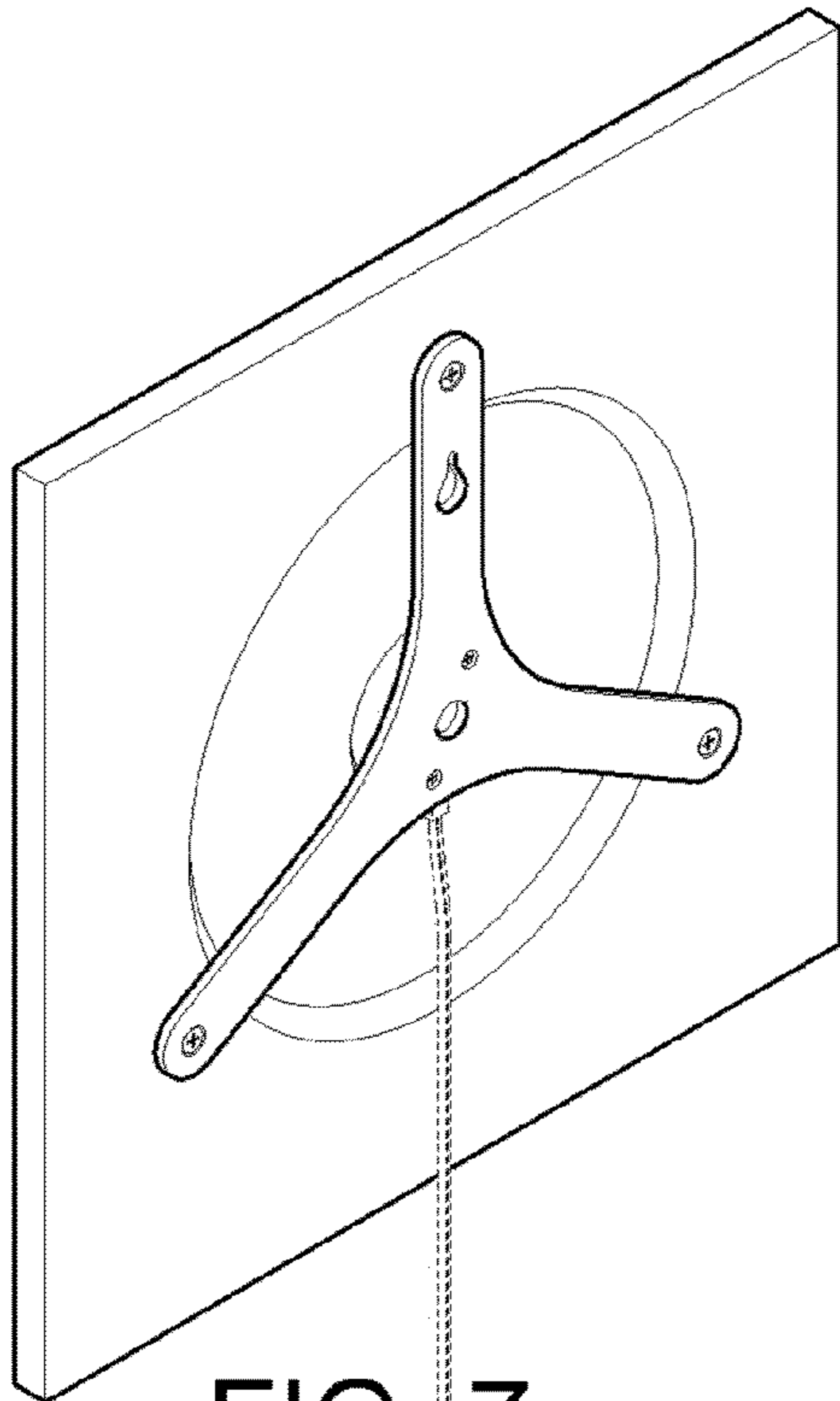


FIG. 7

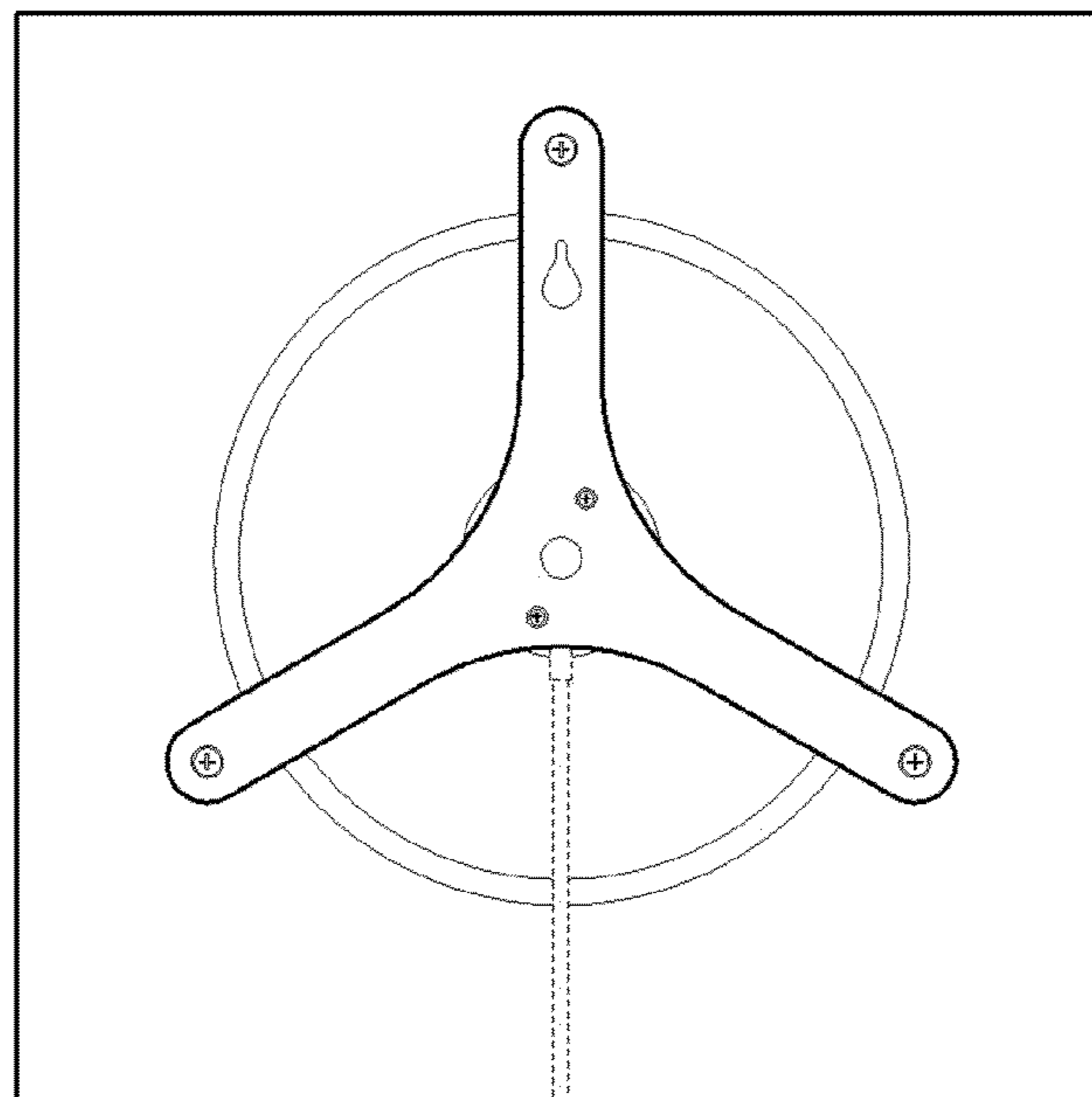


FIG. 6

