



US00D664364S

(12) **United States Design Patent**
Gold et al.

(10) **Patent No.:** **US D664,364 S**
(45) **Date of Patent:** **** Jul. 31, 2012**

- (54) **HEAD OF A CLEANING DEVICE**
 - (75) Inventors: **Jason B. Gold**, Scottsdale, AZ (US);
Matthew David Marhefka,
Doylestown, PA (US)
 - (73) Assignee: **Quickie Manufacturing Corporation**,
Cinnaminson, NJ (US)
 - (**) Term: **14 Years**
 - (21) Appl. No.: **29/363,014**
 - (22) Filed: **Jun. 3, 2010**
 - (51) **LOC (9) Cl.** **04-99**
 - (52) **U.S. Cl.** **D4/199; D4/119**
 - (58) **Field of Classification Search** D4/119,
D4/120, 132, 135, 199; D32/40, 50-52;
15/106, 114, 115, 146, 159.1, 160, 171, 176.1,
15/228
- See application file for complete search history.

- 6,108,854 A 8/2000 Dingert
 - 6,199,241 B1 3/2001 Anumah
 - D472,716 S 4/2003 Hay
 - 6,760,949 B2 7/2004 Kaminstein et al.
 - 6,821,043 B2 11/2004 Teh
 - D572,013 S 7/2008 Weis et al.
 - D572,014 S 7/2008 Weis
 - 2004/0060129 A1 4/2004 Juett
 - 2005/0251941 A1 11/2005 Berhoff
 - 2005/0273959 A1 12/2005 Dillon
 - 2007/0199169 A1 8/2007 Vosbikian et al.
- * cited by examiner

Primary Examiner — Cathron Brooks
Assistant Examiner — Lavone D Tabor
 (74) *Attorney, Agent, or Firm* — John F. Letchford; Archer & Greiner, P.C.

(57) **CLAIM**
 We claim the ornamental design for a head of a cleaning device, as shown and described.

DESCRIPTION

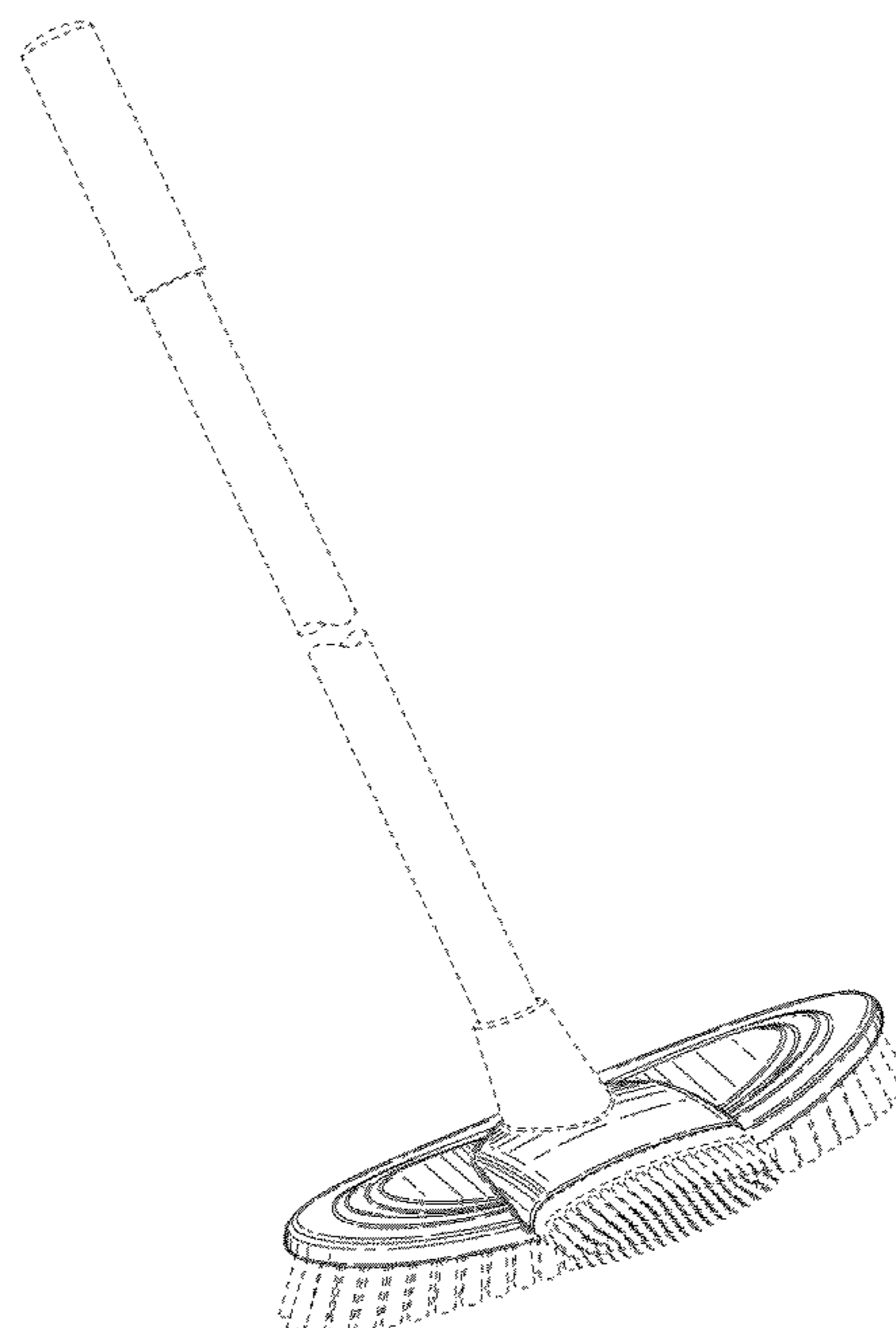
FIG. 1 is a top front perspective view of a head of a cleaning device in an exemplary environment.
 FIG. 2 is a top front perspective view of the head shown in FIG. 1.
 FIG. 3 is a front view of the head shown in FIG. 1.
 FIG. 4 is a rear view of the head shown in FIG. 1.
 FIG. 5 is a top view of the head shown in FIG. 1.
 FIG. 6 is a bottom view of the head shown in FIG. 1 with a portion of the environment removed.
 FIG. 7 is a right side view of the head shown in FIG. 1; and,
 FIG. 8 is a left side view of the head shown in FIG. 1.
 The portions of the head and environment shown in broken lines are for illustrative purposes only and form no part of the claimed design.

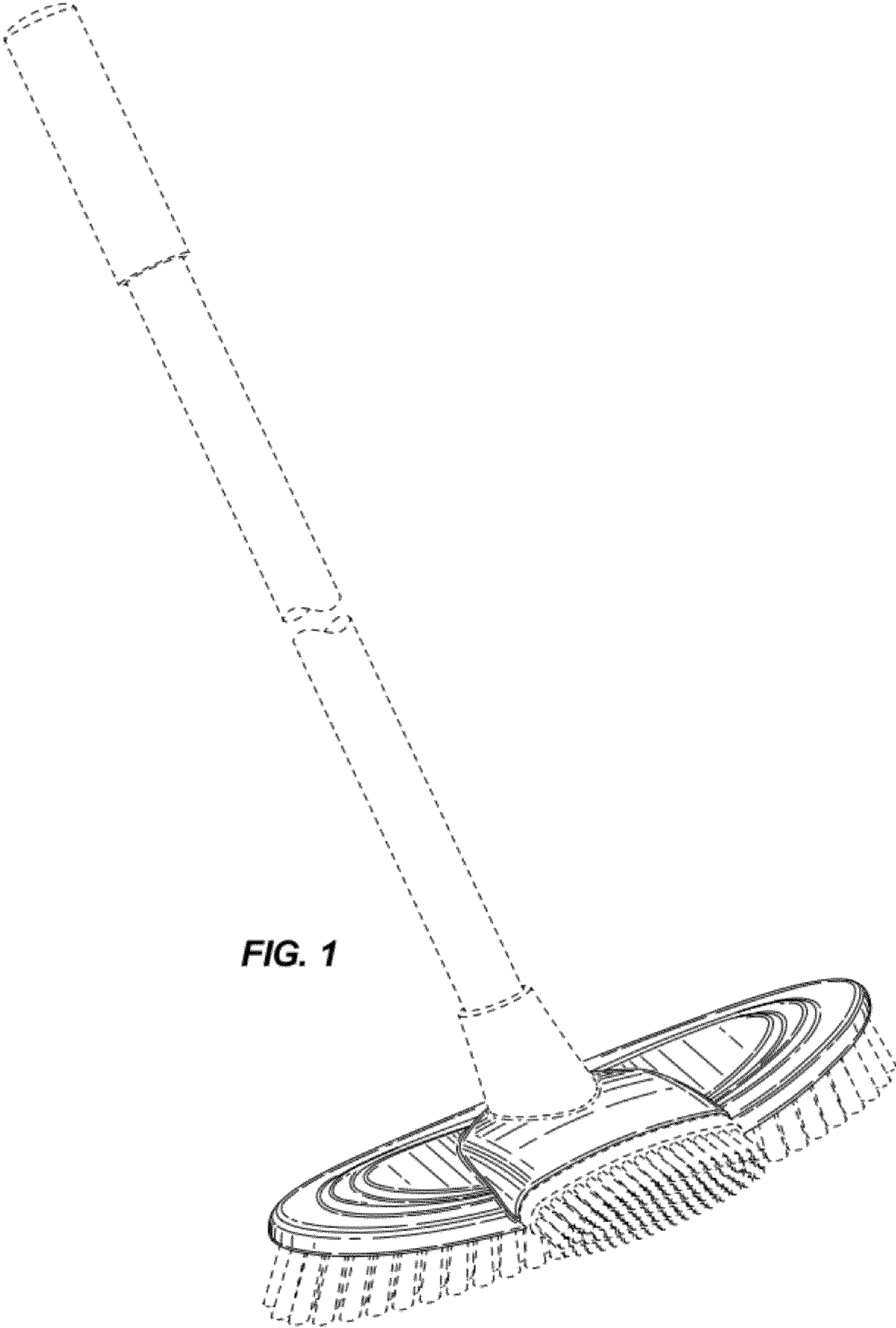
1 Claim, 7 Drawing Sheets

(56) **References Cited**

U.S. PATENT DOCUMENTS

68,513 A	9/1867	Jones	
608,365 A	8/1898	Goehring	
622,621 A	4/1899	Ham	
702,136 A	6/1902	Isaacs	
D52,807 S *	12/1918	Partridge	D4/119
1,742,929 A	1/1930	Ovtshenikoff	
3,315,296 A	4/1967	Richardson	
D269,649 S	7/1983	Jones et al.	
4,796,324 A	1/1989	Sartori	
D346,499 S	5/1994	Berti	
D348,827 S	7/1994	Berti et al.	
D349,635 S	8/1994	Berti et al.	
D374,352 S	10/1996	Sartori	
D414,342 S *	9/1999	Ancona et al.	D4/119
6,073,298 A	6/2000	O'Brien	





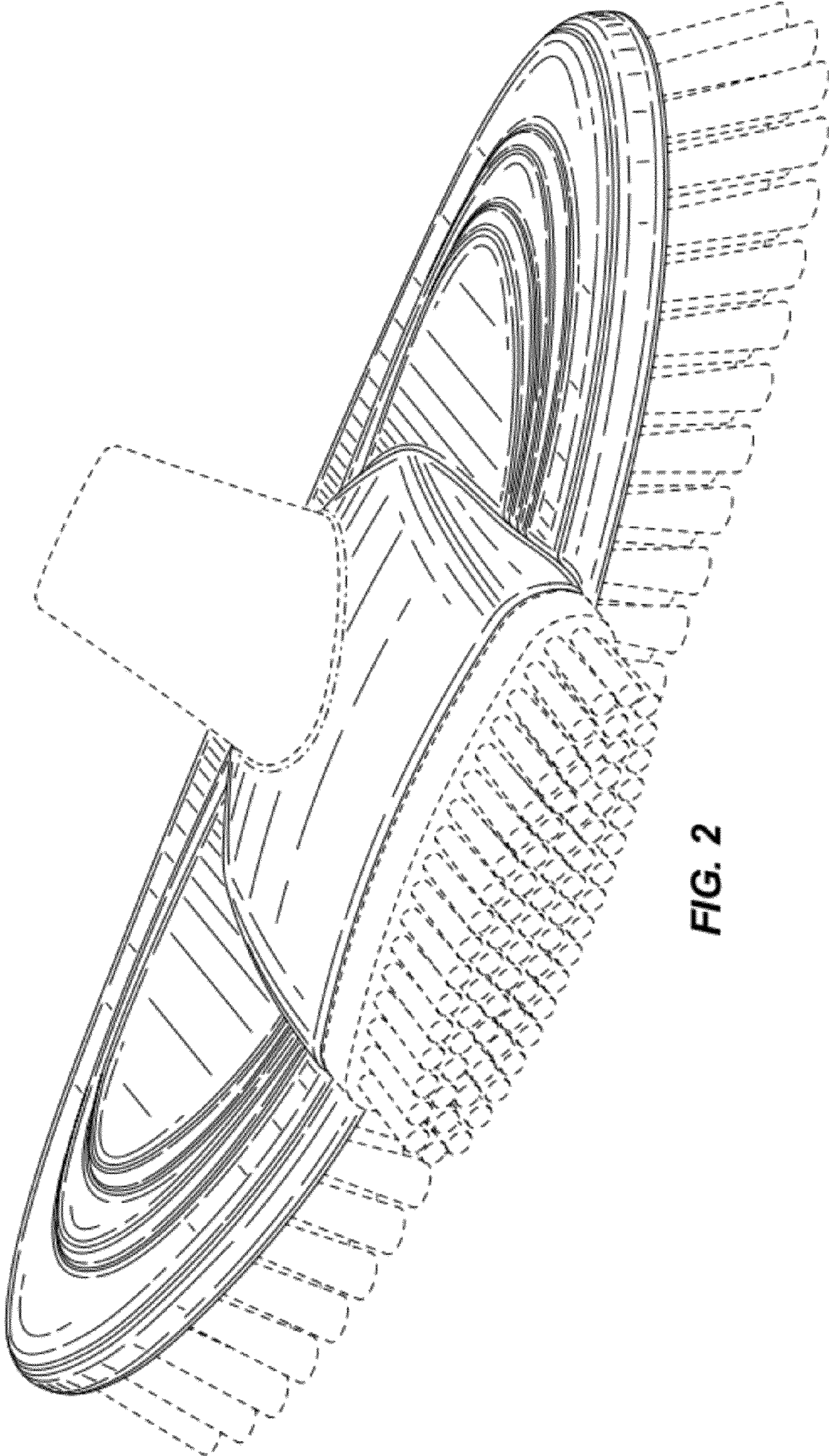


FIG. 2

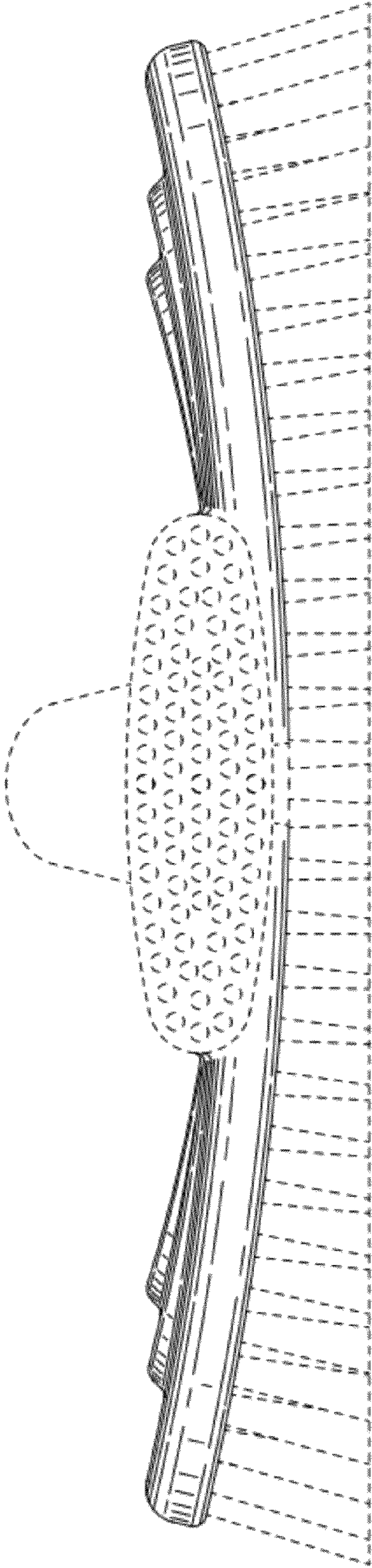


FIG. 3

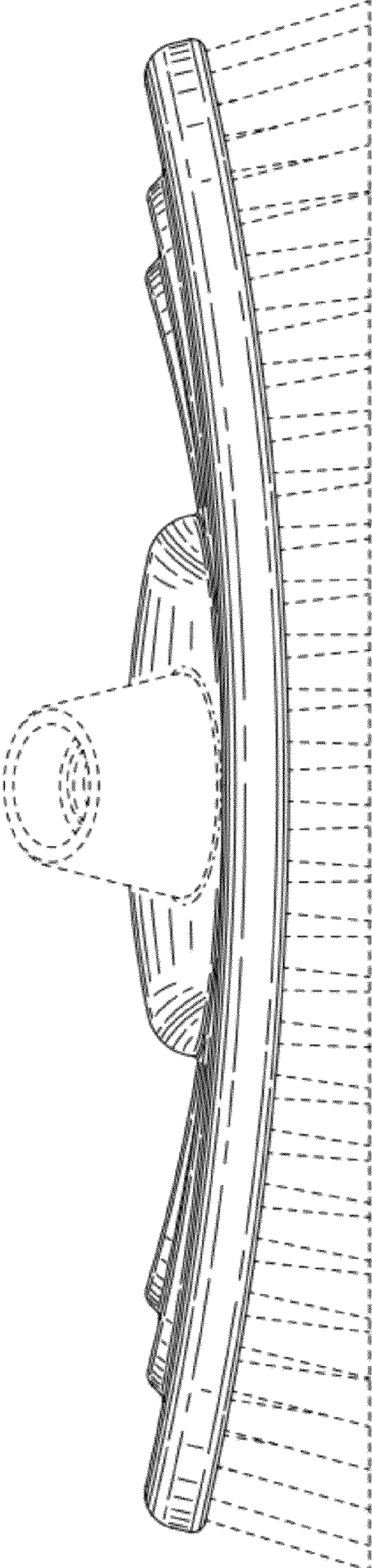


FIG. 4

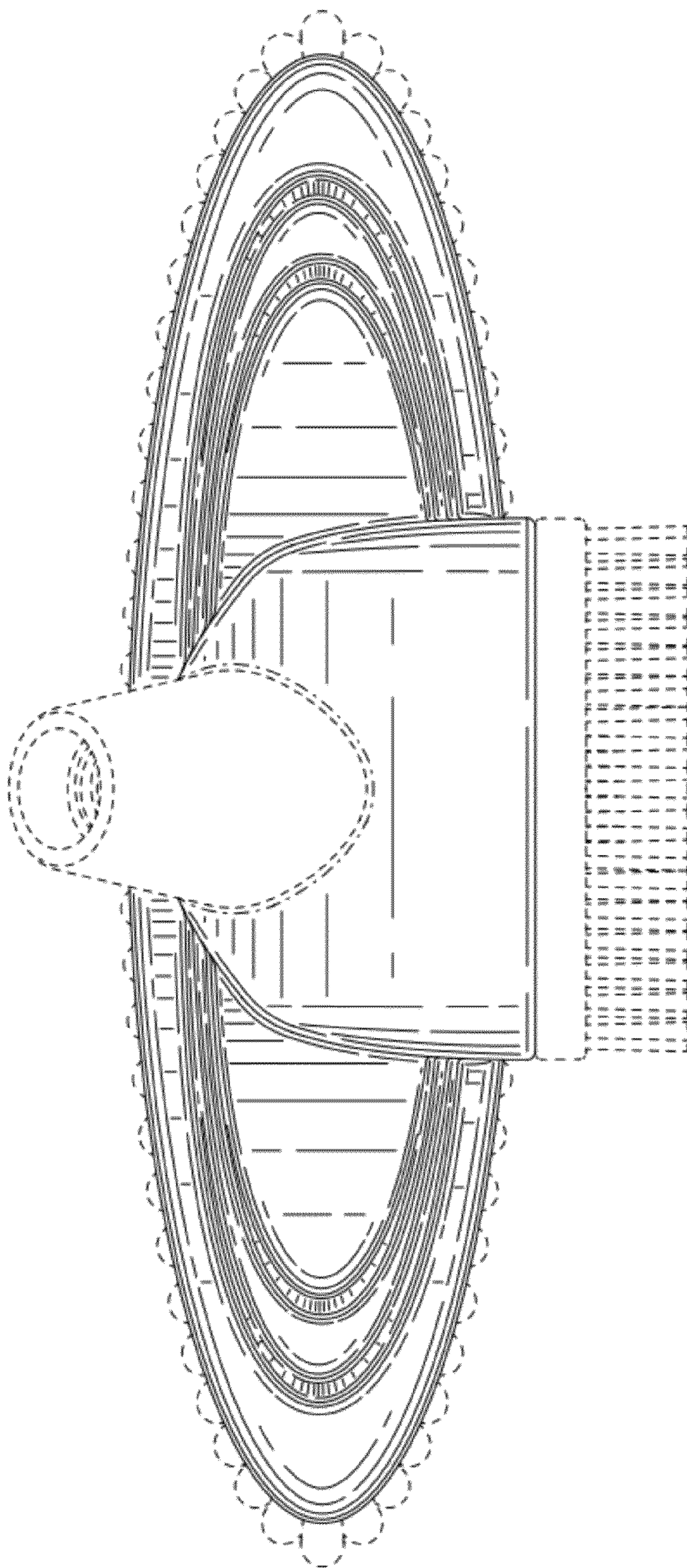


FIG. 5

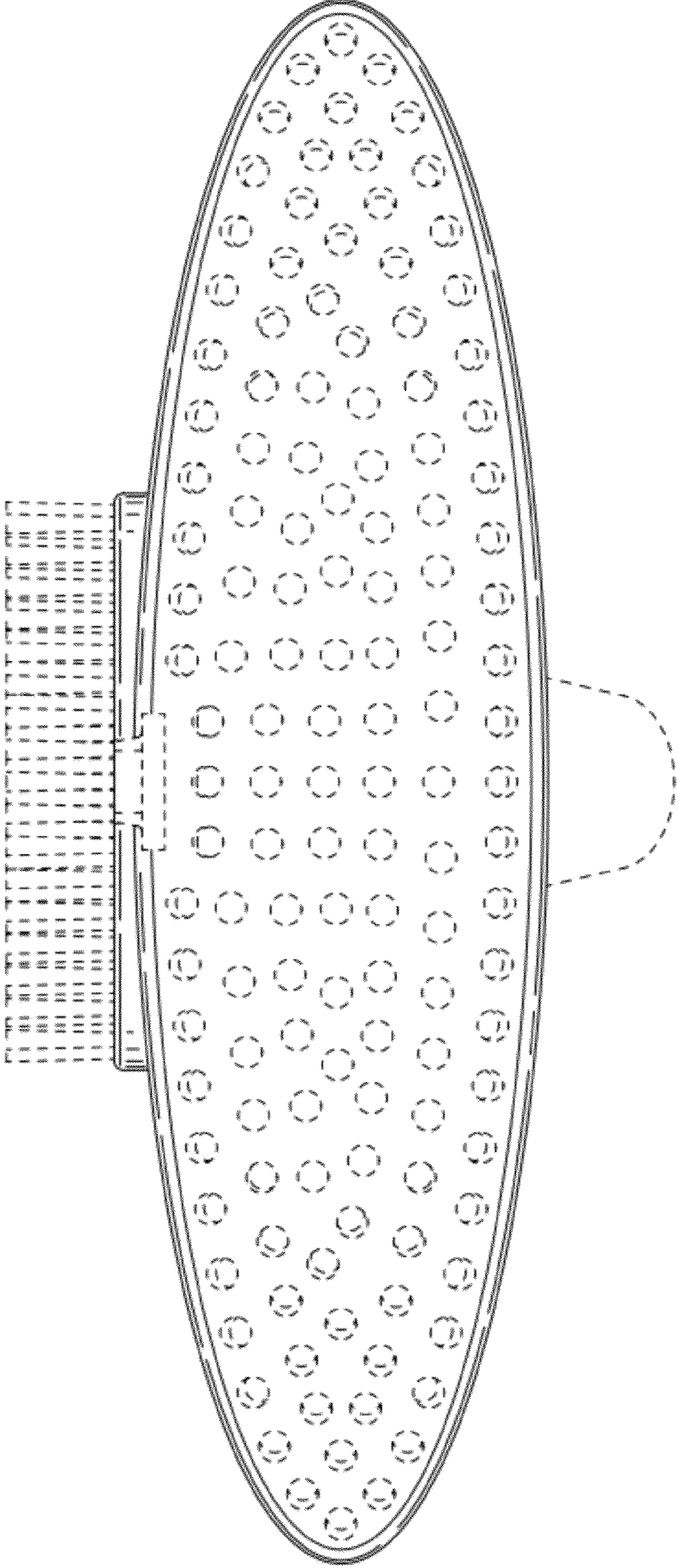


FIG. 6

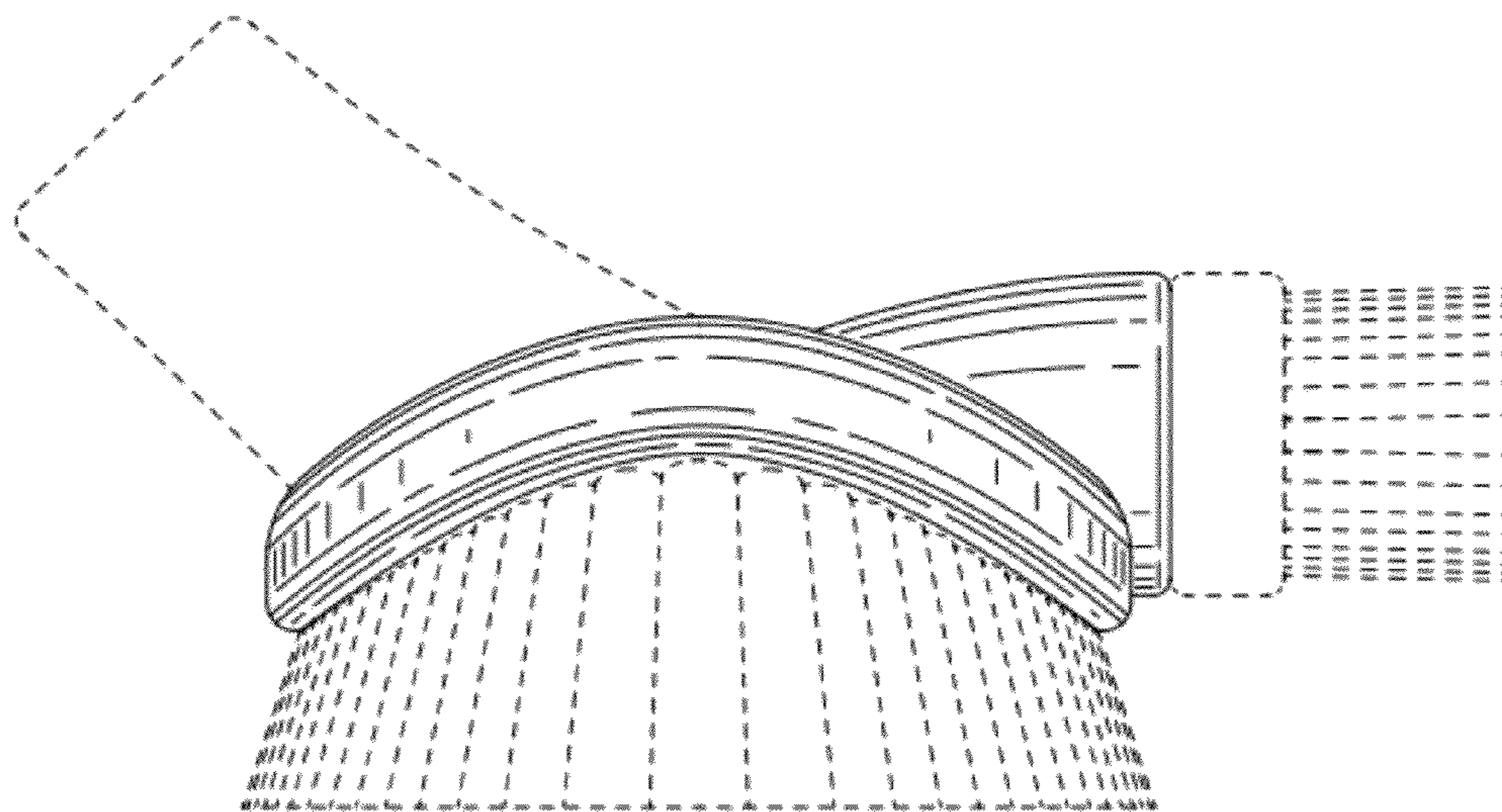


FIG. 7

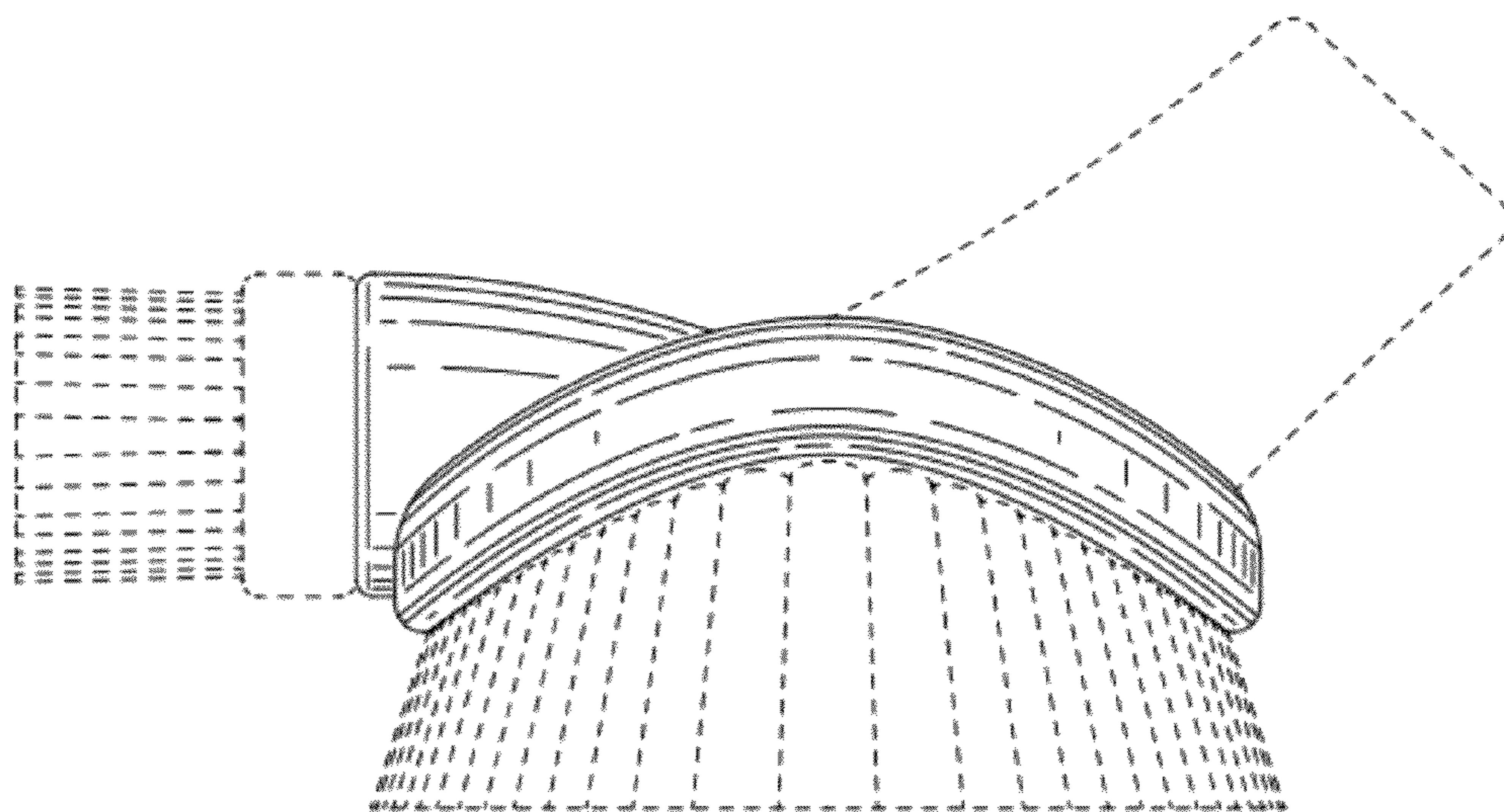


FIG. 8