



US00D664357S

(12) **United States Design Patent**
Kinsky et al.

(10) **Patent No.:** **US D664,357 S**

(45) **Date of Patent:** **** Jul. 31, 2012**

(54) **MULTI-ROW SCREWDRIVER HOLDER**

(75) Inventors: **Terrence P. Kinsky**, Alpharetta, GA
(US); **Matthew G. Williams**, Lighthouse
Point, FL (US)

(73) Assignee: **LF Centennial Limited**, Tortola (VG)

(**) Term: **14 Years**

(21) Appl. No.: **29/396,903**

(22) Filed: **Jul. 8, 2011**

(51) **LOC (9) Cl.** **03-01**

(52) **U.S. Cl.** **D3/315**

(58) **Field of Classification Search** D3/204,
D3/218, 226, 230, 232, 243, 245, 246, 247,
D3/249, 272, 273, 275, 276, 283–285, 289,
D3/290, 299, 303, 315, 294–296, 903; 206/6.1,
206/235, 457, 349, 373, 5, 38, 380, 579,
206/581; 224/607, 682; D6/632

See application file for complete search history.

(56) **References Cited**

U.S. PATENT DOCUMENTS

D383,302 S *	9/1997	Broussard	D3/201
D396,912 S *	8/1998	Maire et al.	D32/53
D417,079 S *	11/1999	Heltzel	D3/315
D474,022 S *	5/2003	Leighton	D3/315
6,571,998 B2 *	6/2003	Godshaw et al.	224/607
D530,917 S *	10/2006	Conforti	D3/299

7,311,200 B2 *	12/2007	Godshaw et al.	206/373
D564,219 S *	3/2008	Bagus	D3/205
D613,507 S *	4/2010	Brouard	D3/315
D635,769 S *	4/2011	Sosnovsky	D3/304
2005/0189388 A1 *	9/2005	Godshaw et al.	224/607

* cited by examiner

Primary Examiner — Ian Simmons

Assistant Examiner — Charles Hanson

(74) *Attorney, Agent, or Firm* — Duane Morris LLP; J. Rodman Steele, Jr.; Karen C. Kline

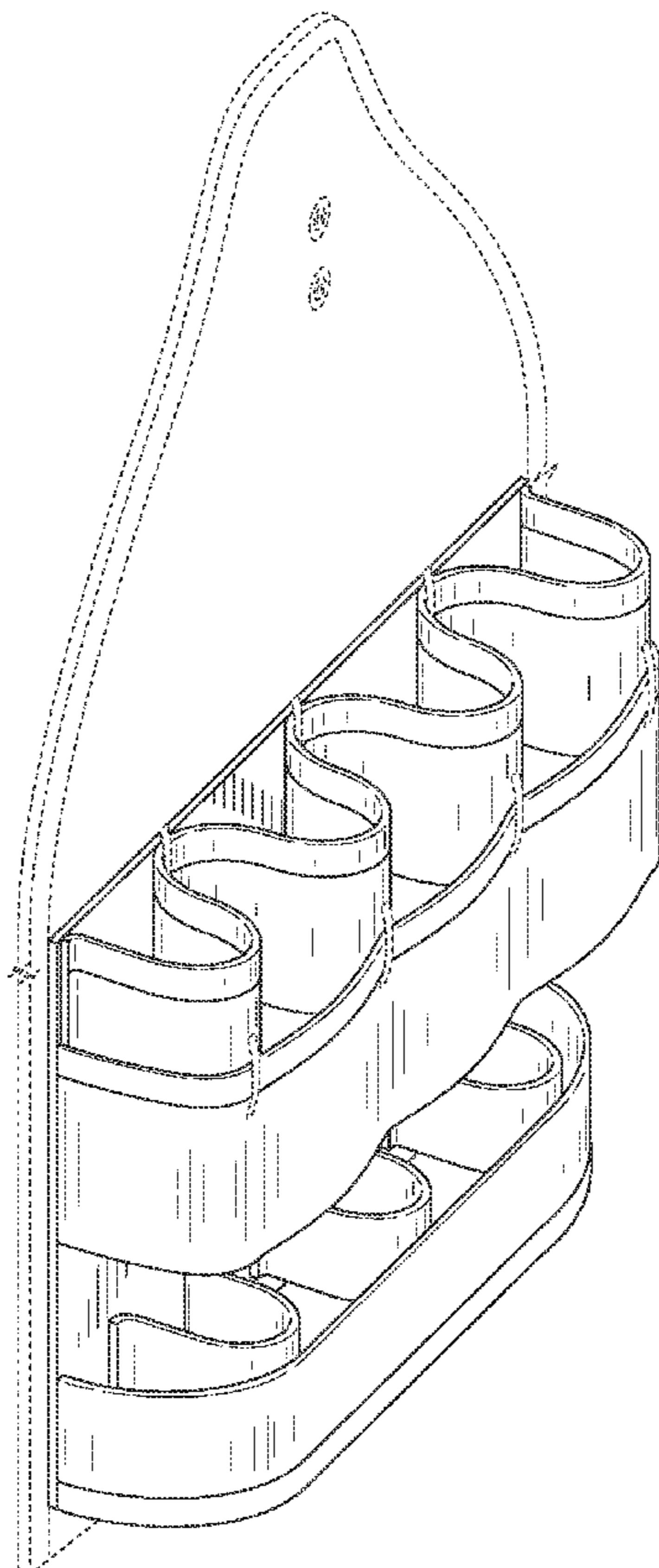
(57) **CLAIM**

The ornamental design for a multi-row screwdriver holder, as shown and described.

DESCRIPTION

FIG. 1 is a perspective view of our ornamental design; FIG. 2 is a front elevation view of the ornamental design of FIG. 1; FIG. 3 is a top view of the ornamental design of FIG. 1; FIG. 4 is a bottom view of the ornamental design of FIG. 1; FIG. 5 is a right side view of the ornamental design of FIG. 1; FIG. 6 is a left side view of the ornamental design of FIG. 1; and, FIG. 7 is a front environmental view of the ornamental design. The broken lines are included for purposes of illustrating environment and form no part of the claimed design.

1 Claim, 7 Drawing Sheets



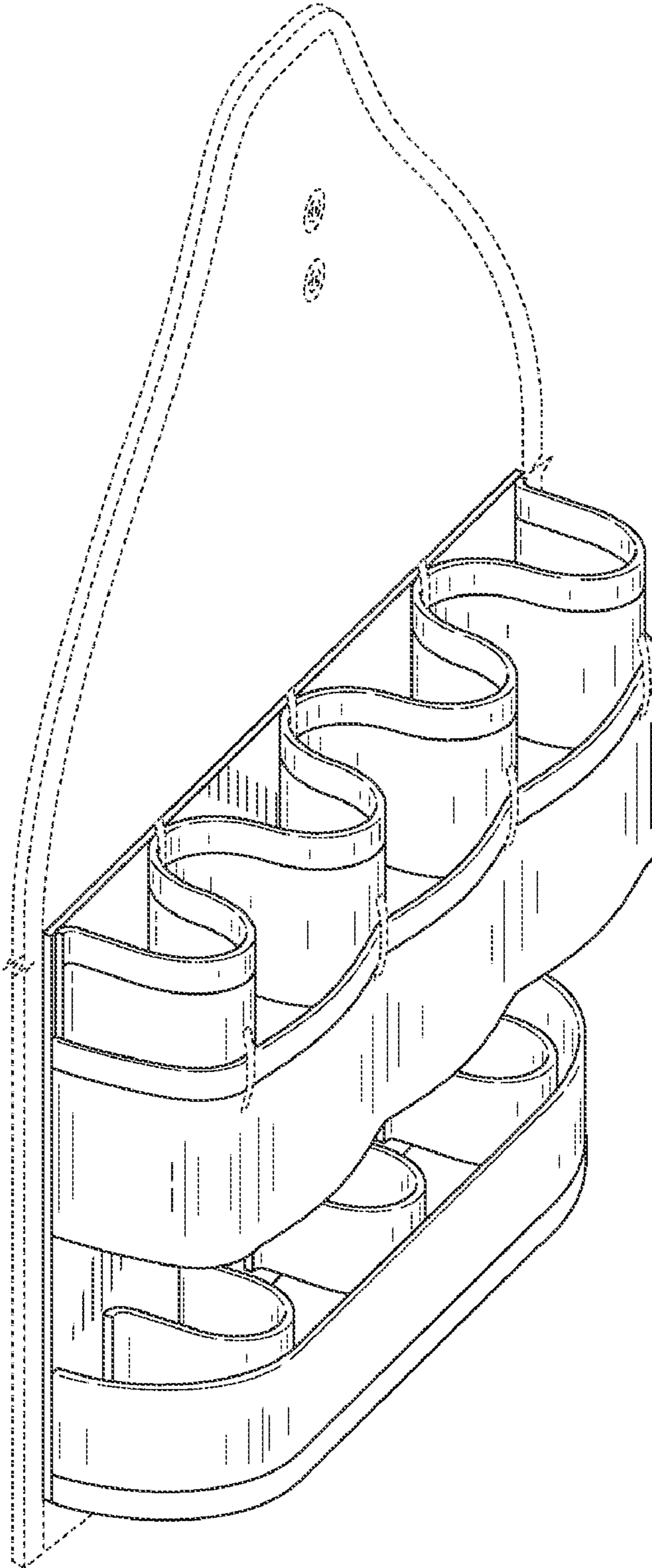


FIG. 1

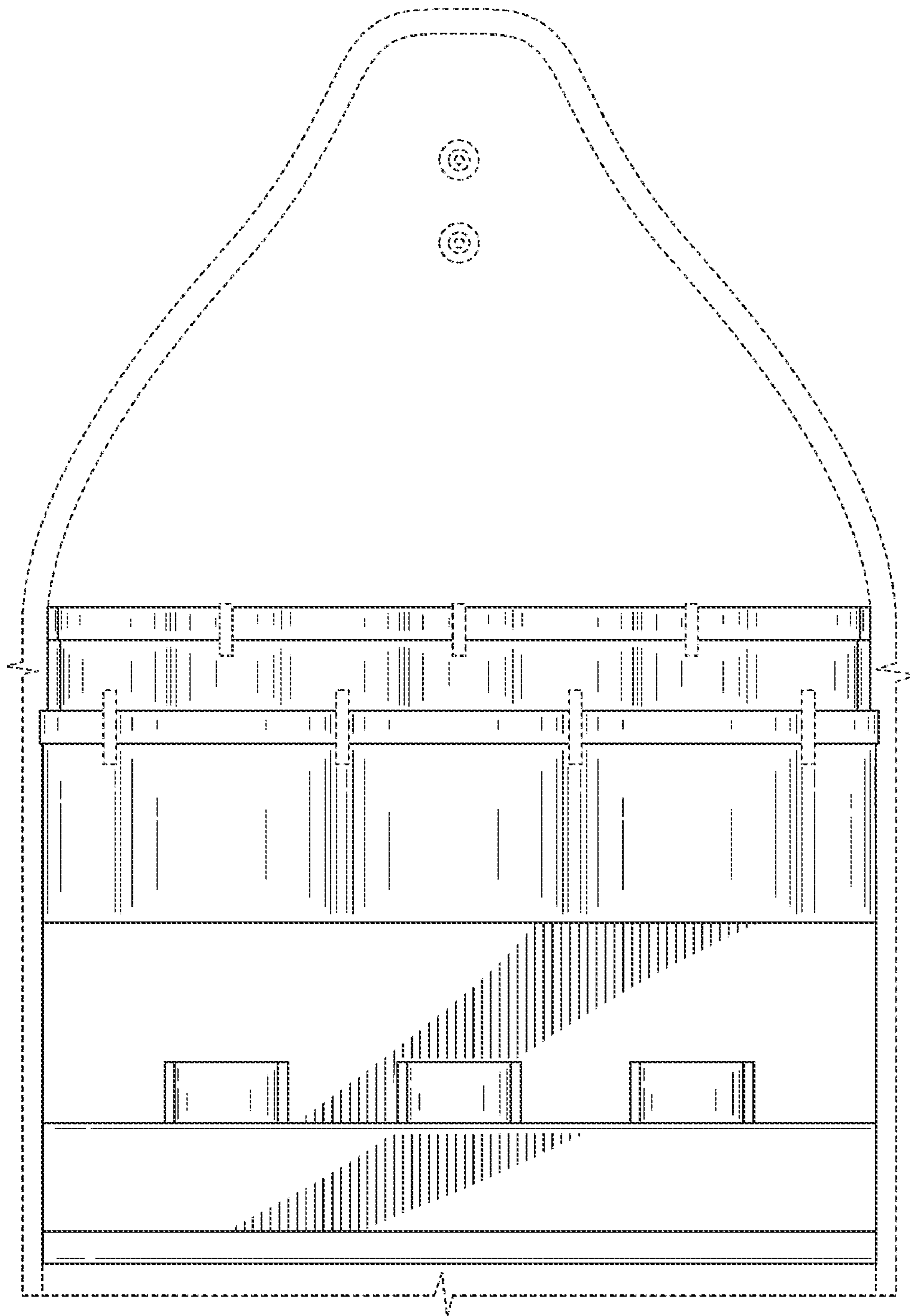


FIG. 2

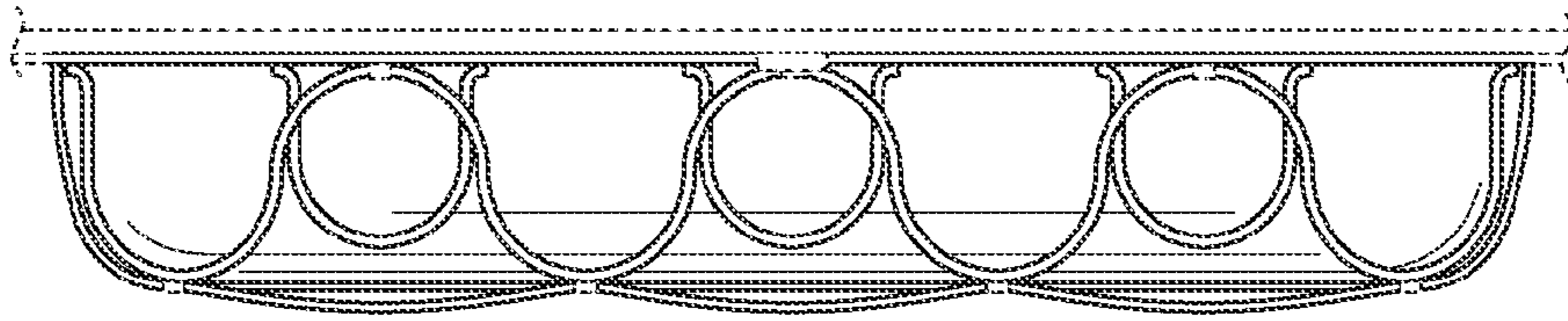


FIG. 3

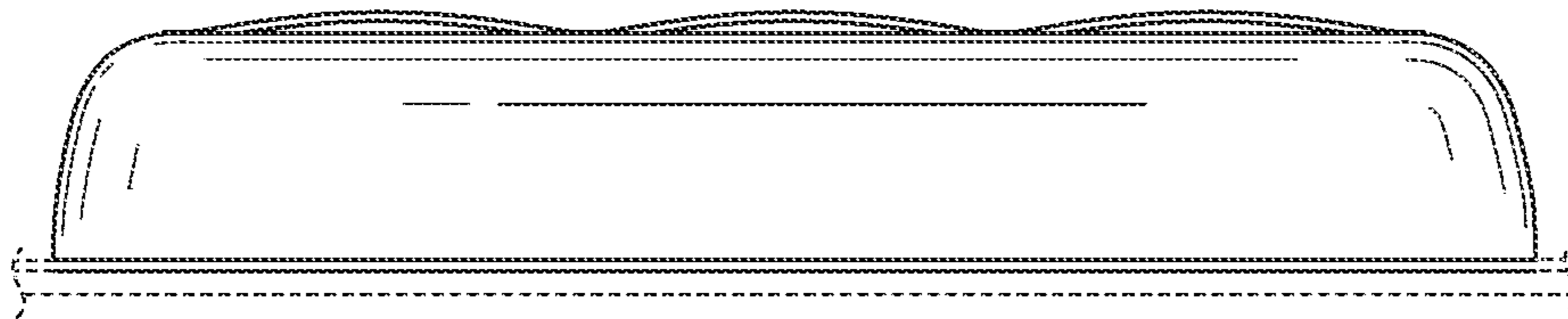


FIG. 4

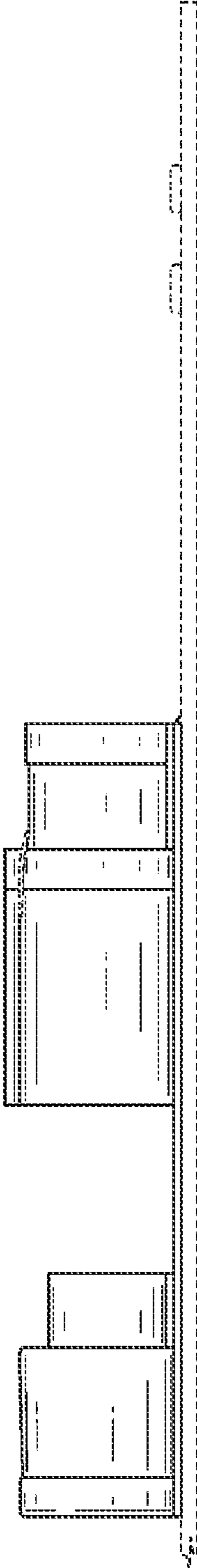


FIG. 5

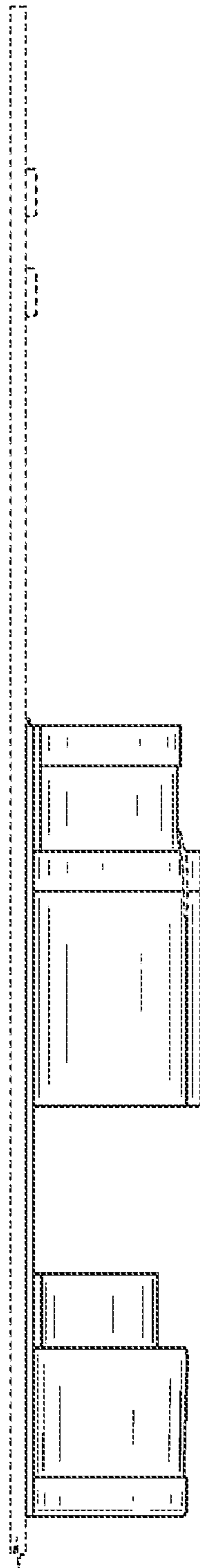


FIG. 6

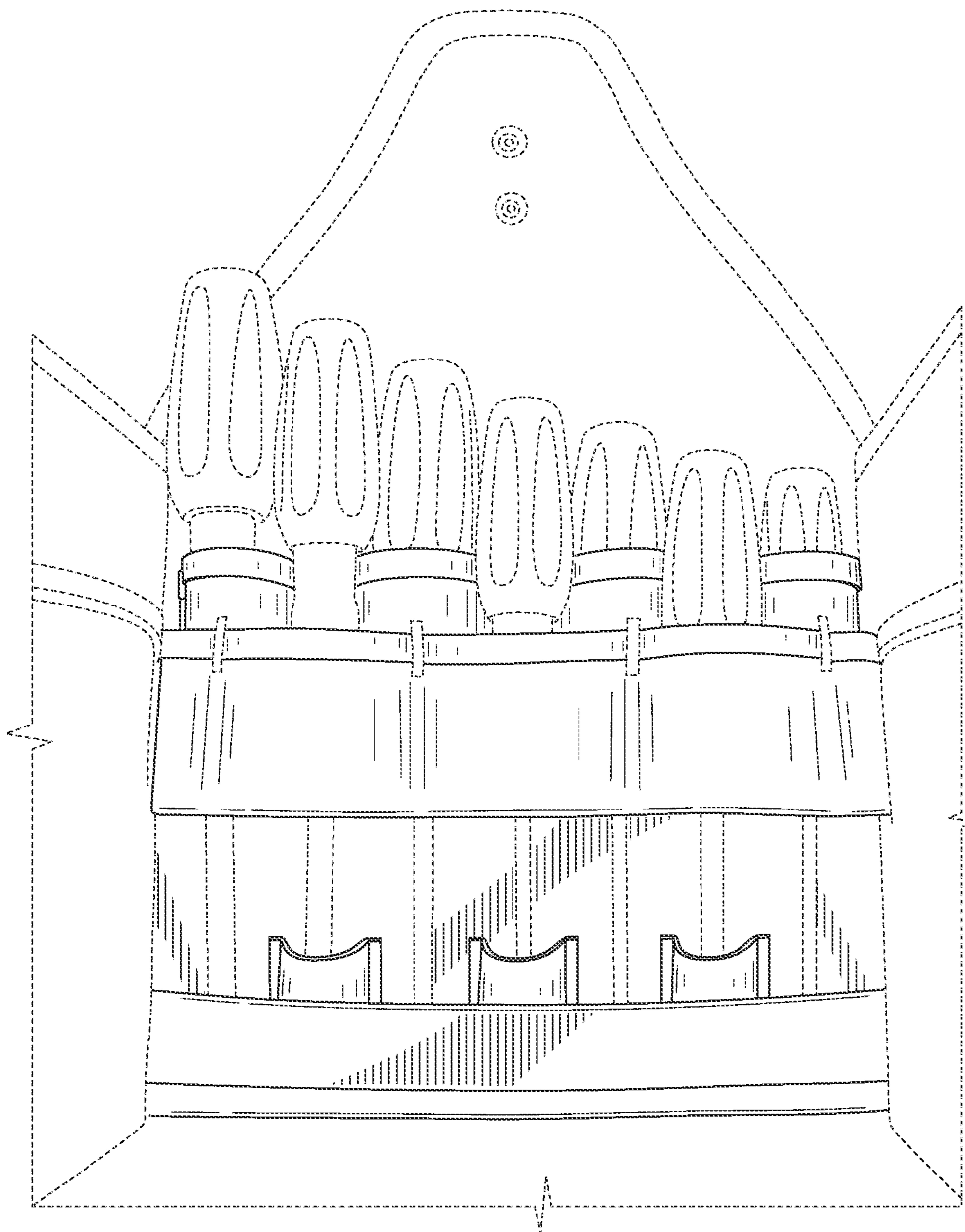


FIG. 7