

US00D664356S

(12) **United States Design Patent**
Liao

(10) **Patent No.:** **US D664,356 S**

(45) **Date of Patent:** **** Jul. 31, 2012**

(54) **TOOL BOX**

(75) Inventor: **Po Lin Liao**, Taichung (TW)

(73) Assignee: **Lih Yann Industrial Co., Ltd.**,
Taichung (TW)

(**) Term: **14 Years**

(21) Appl. No.: **29/409,715**

(22) Filed: **Dec. 28, 2011**

(51) **LOC (9) Cl.** **03-01**

(52) **U.S. Cl.** **D3/282; D3/284; D3/905**

(58) **Field of Classification Search** D3/254,
D3/260, 273, 276, 280, 283, 291, 302, 301,
D3/303, 905; 220/523, 524, 527; 206/349,
206/372-379; 190/109, 111, 115, 107, 126,
190/903; D7/605

See application file for complete search history.

(56) **References Cited**

U.S. PATENT DOCUMENTS

5,394,966	A	*	3/1995	Chow	190/119
D413,440	S	*	9/1999	Schurman	D3/282
D472,384	S	*	4/2003	Richardson	D3/273
D478,209	S	*	8/2003	Chen	D3/282

D481,868	S	*	11/2003	Cunningham et al.	D3/273
D516,311	S	*	3/2006	Lai	D3/282
D602,692	S	*	10/2009	Wu	D3/282
D608,094	S	*	1/2010	Concari et al.	D3/282
D650,585	S	*	12/2011	Jamison et al.	D3/294

* cited by examiner

Primary Examiner — Jennifer Rivard

(74) *Attorney, Agent, or Firm* — Muncy, Geissler, Olds & Lowe, PLLC

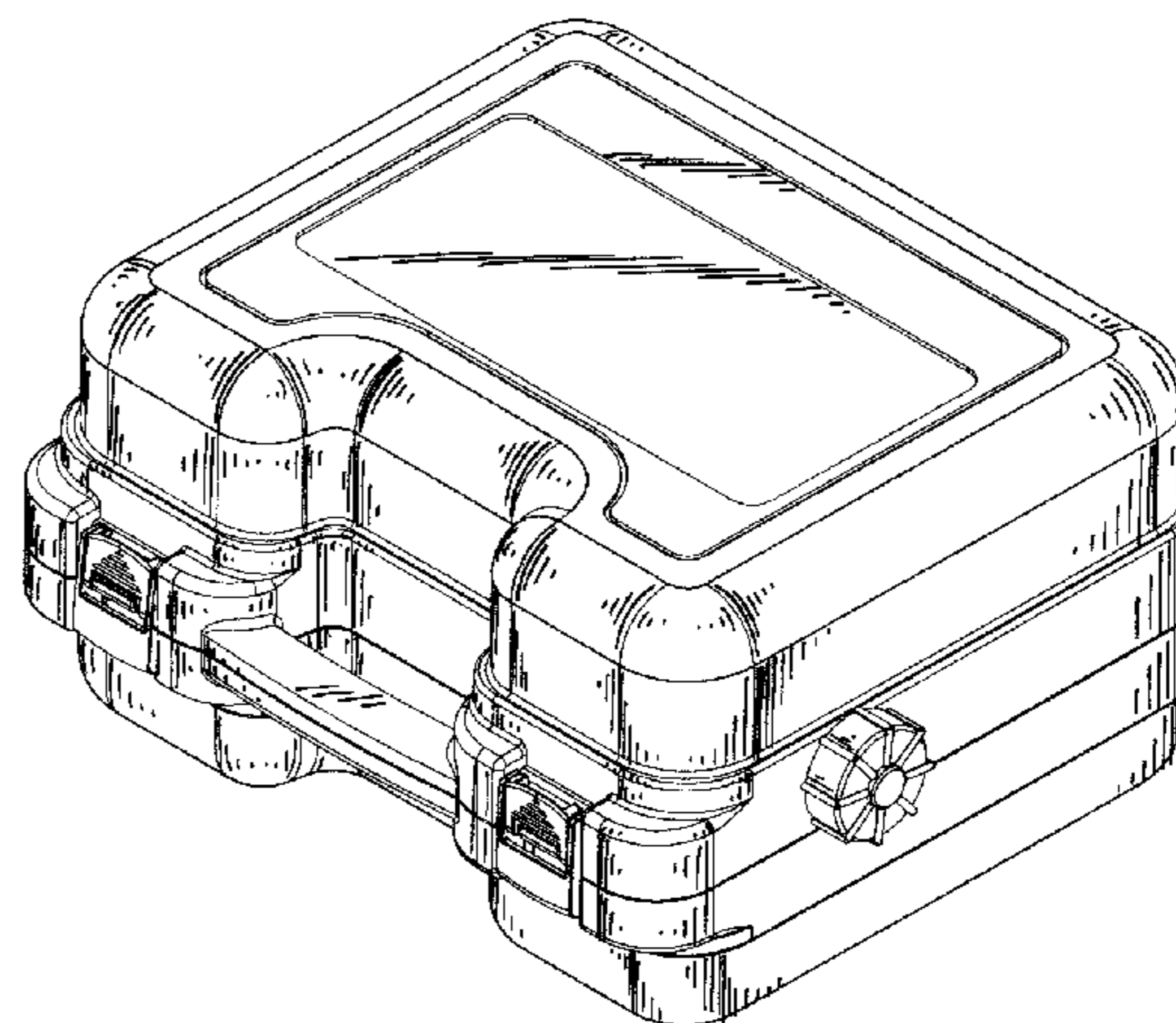
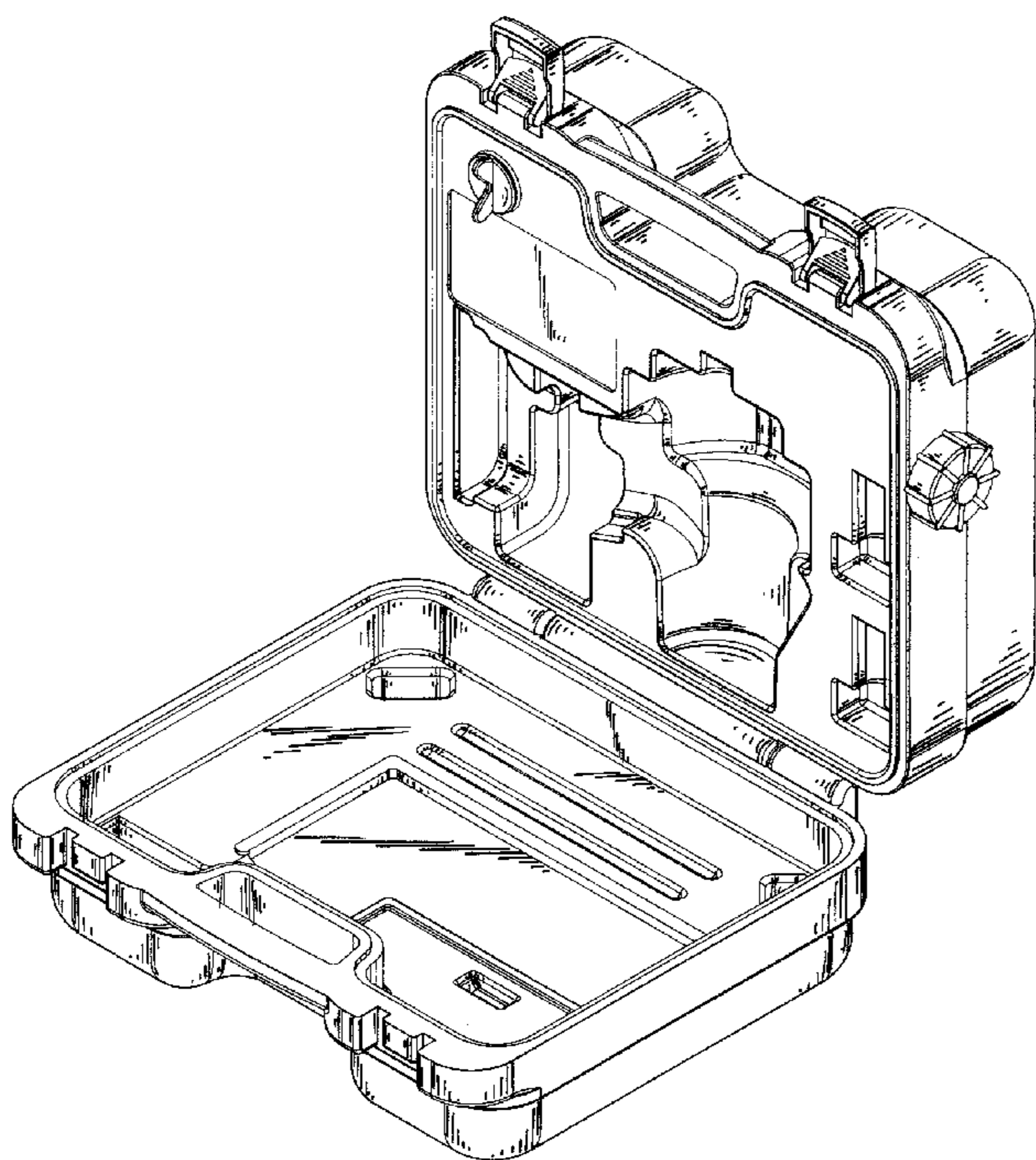
(57) **CLAIM**

The ornamental design for a tool box, as shown and described.

DESCRIPTION

FIG. 1 is a perspective view for a tool box of my new design; FIG. 2 is a front elevational view thereof; FIG. 3 is a rear elevational view thereof; FIG. 4 is a left elevational view thereof; FIG. 5 is a right elevational view thereof; FIG. 6 is a top plan view thereof; FIG. 7 is a bottom plan view thereof; FIG. 8 is a perspective view showing the tool box in vertical view thereof; and, FIG. 9 is a perspective view showing the tool box closed.

1 Claim, 9 Drawing Sheets



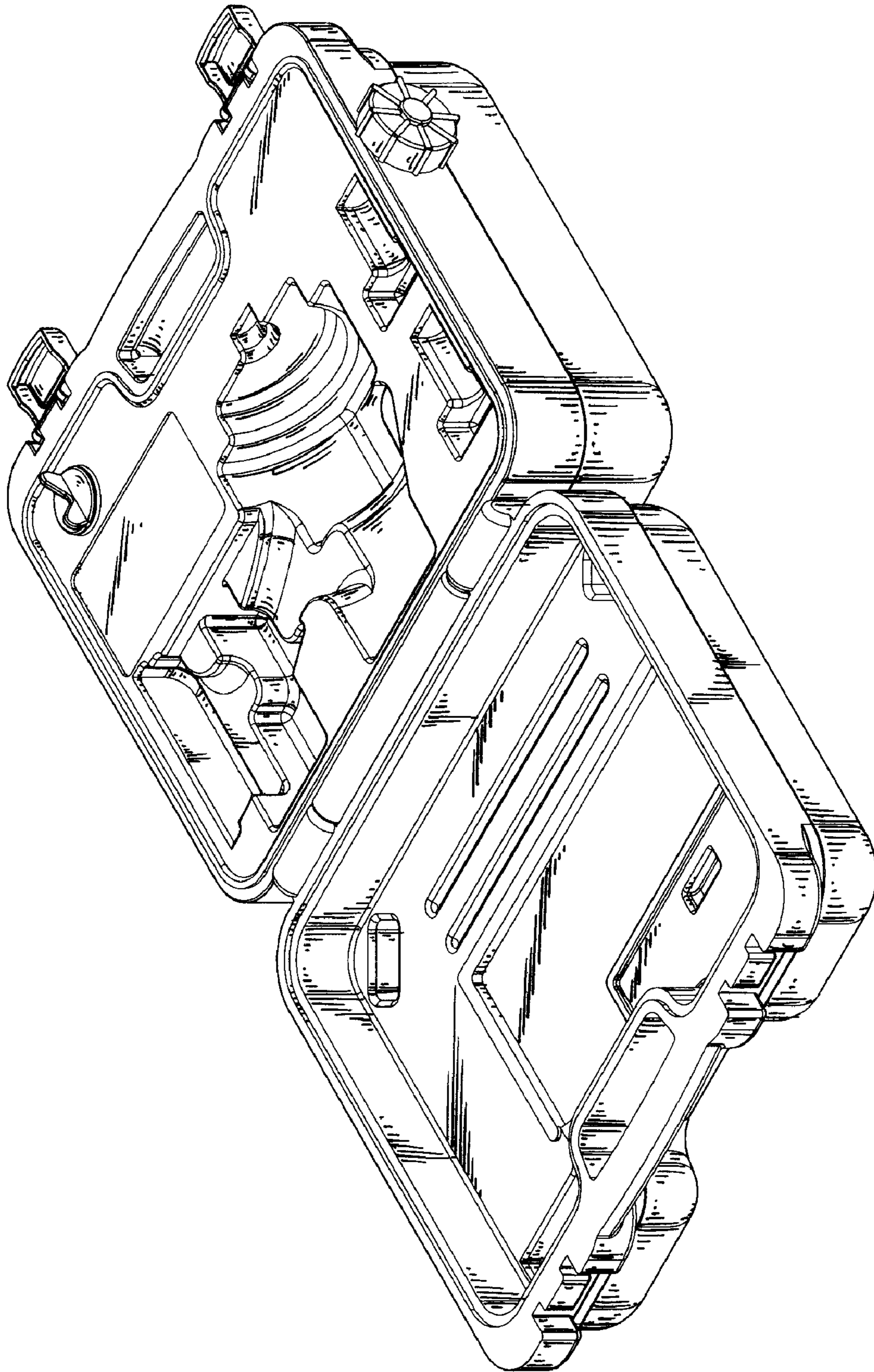


Fig. 1

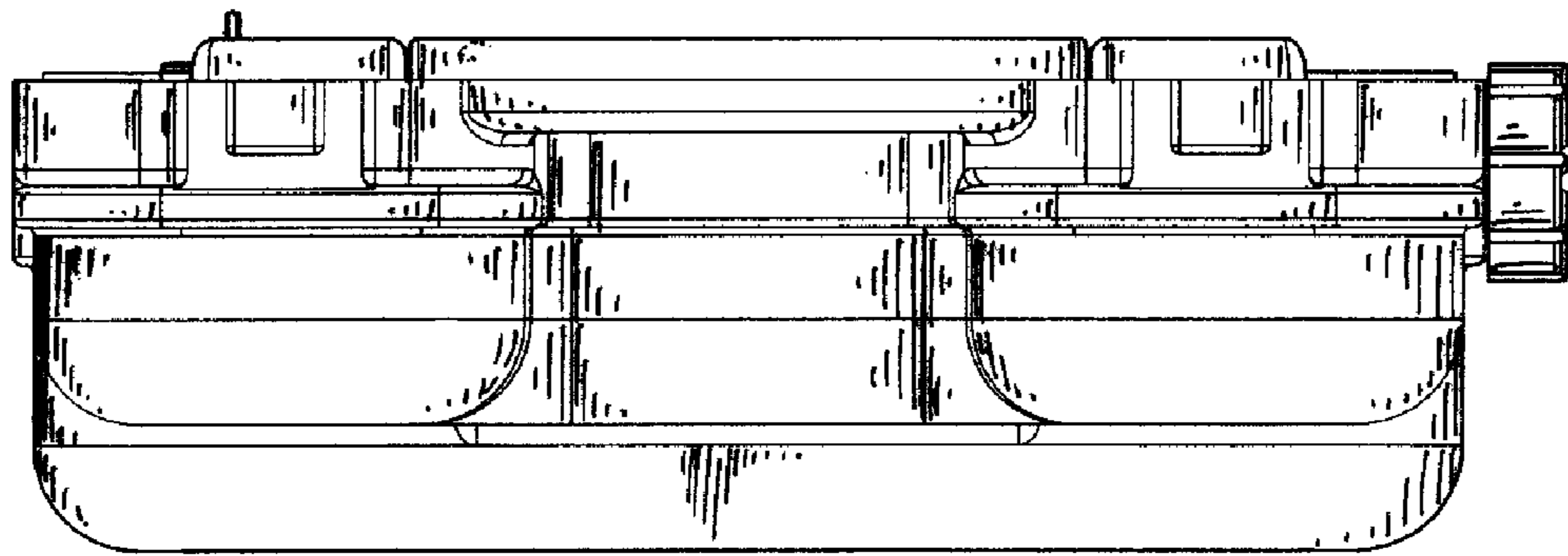


Fig. 2

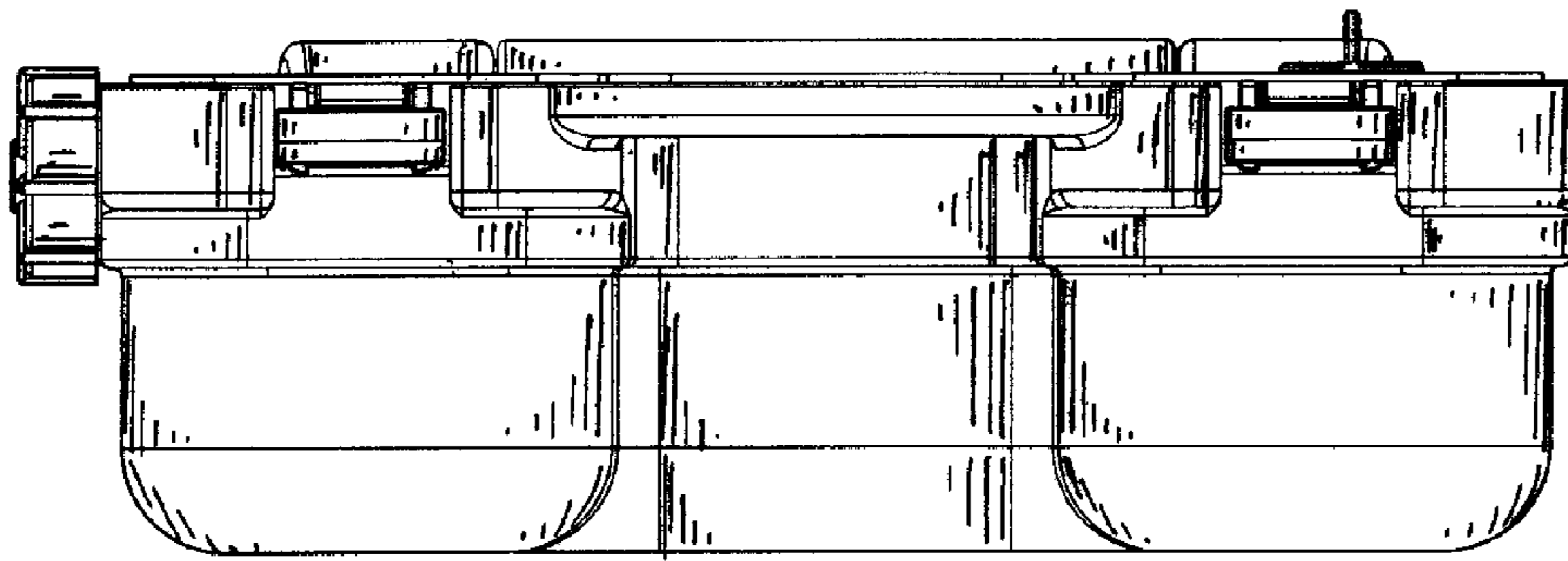


Fig. 3

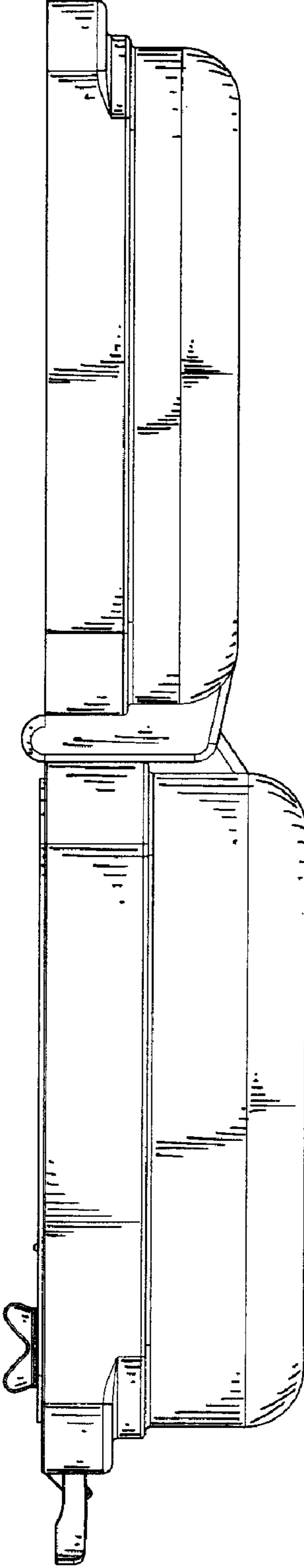


Fig. 4

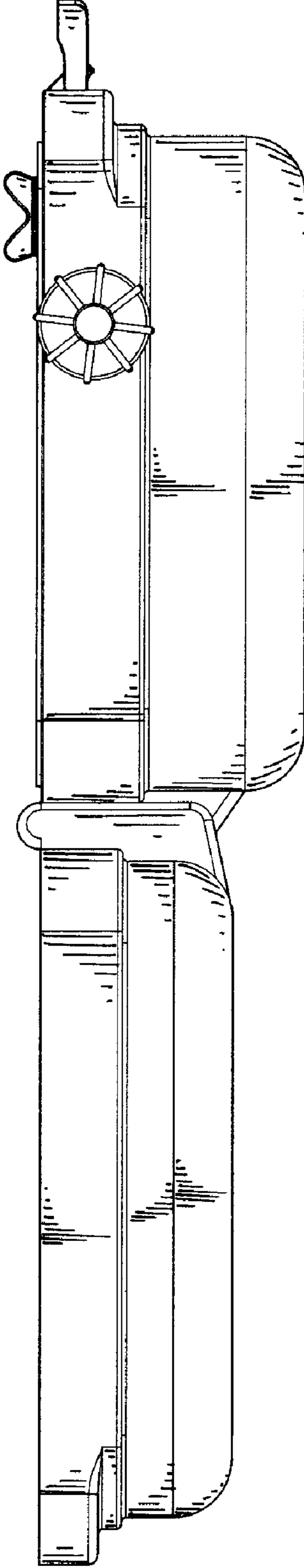


Fig. 5

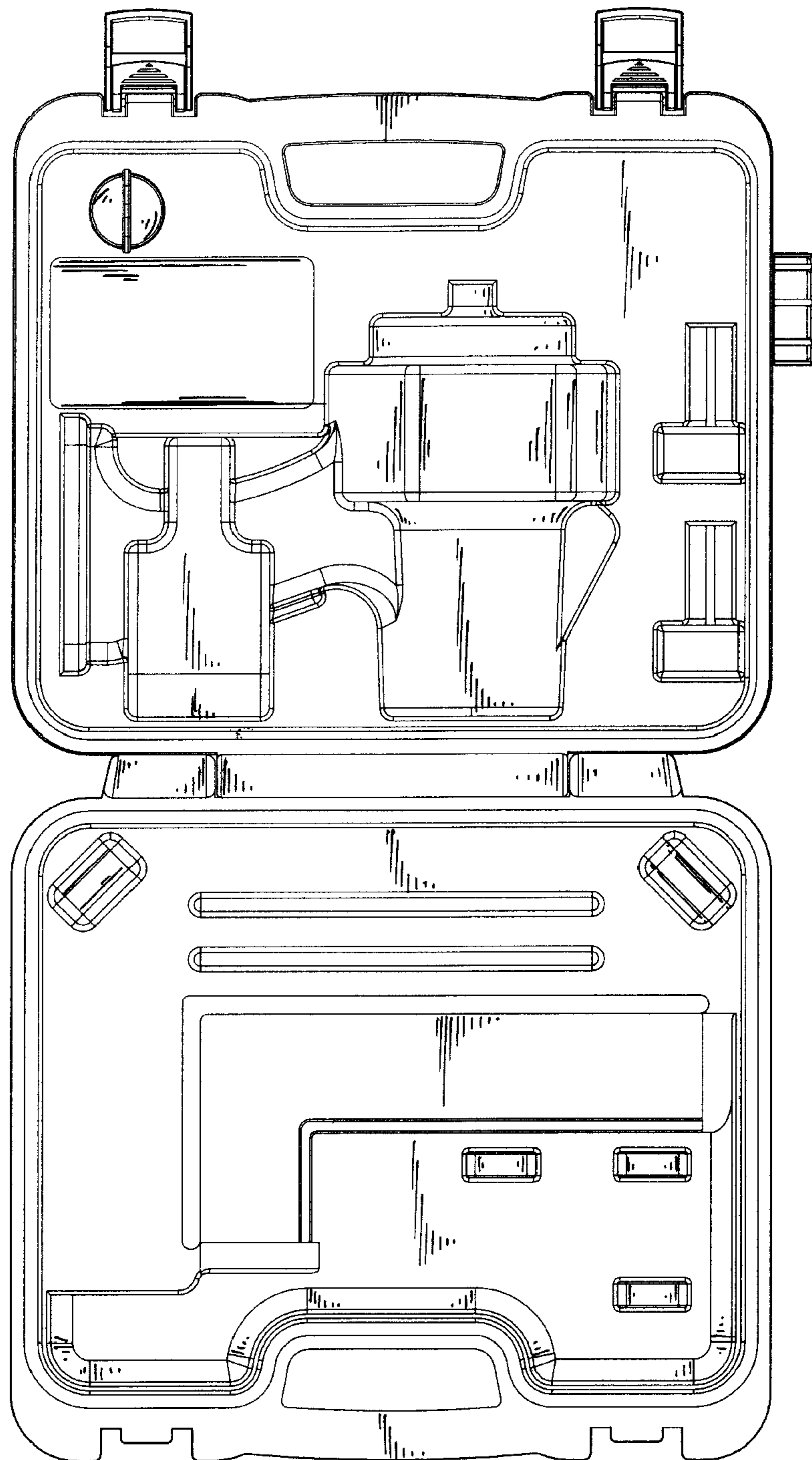


Fig. 6

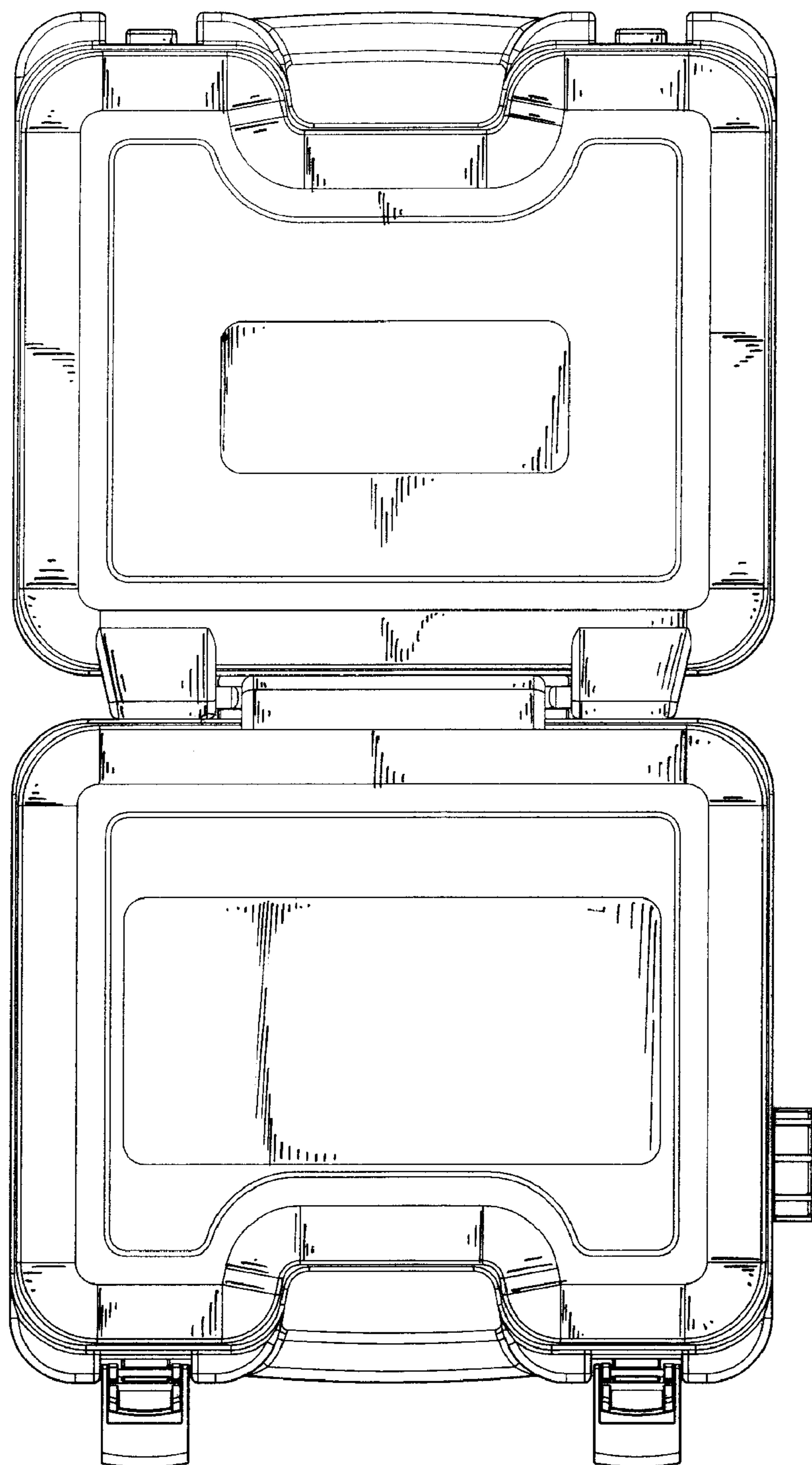


Fig. 7

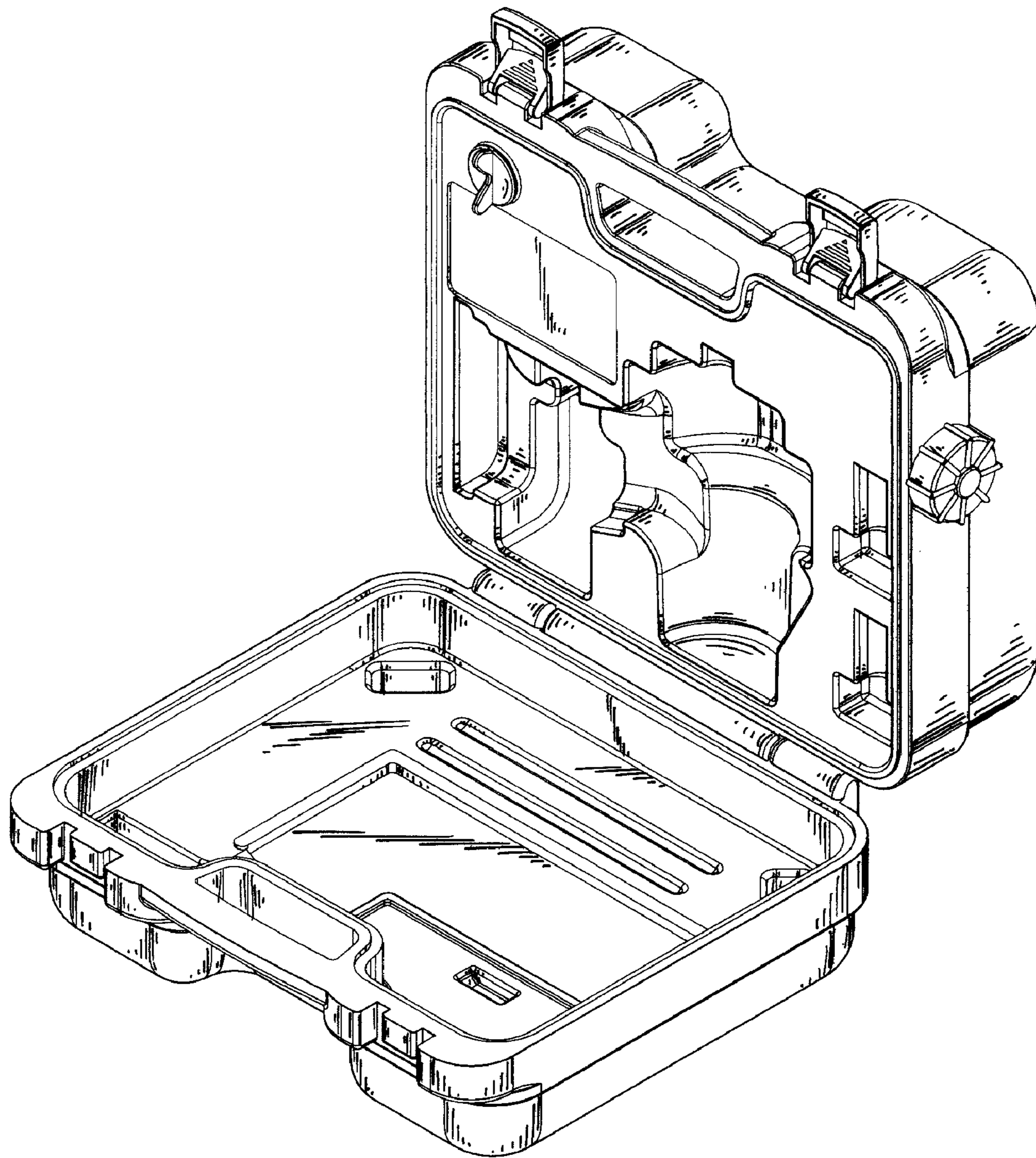


Fig. 8

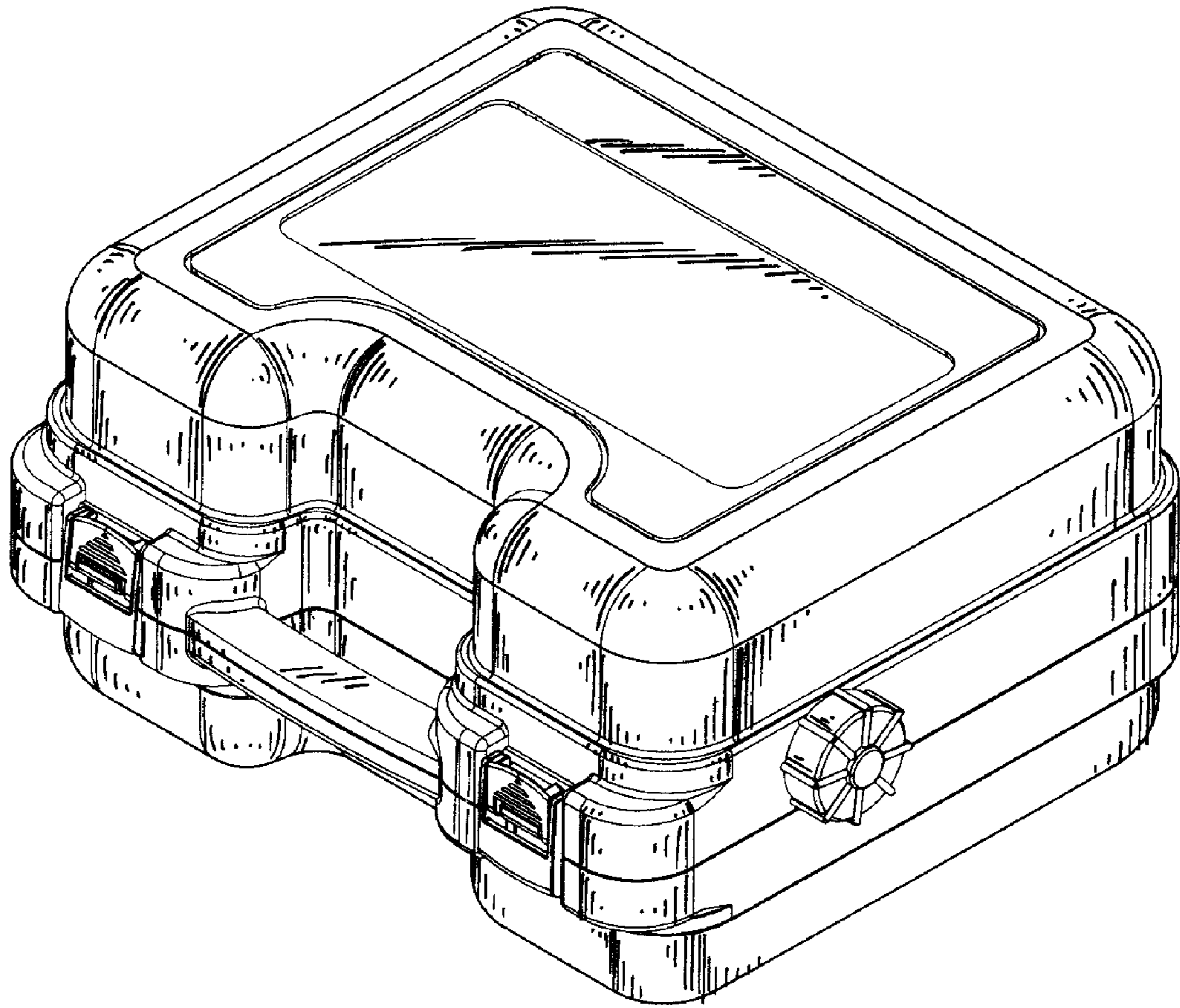


Fig. 9