



US00D664354S

(12) **United States Design Patent**
Crevling, Jr. et al.

(10) **Patent No.:** **US D664,354 S**
(45) **Date of Patent:** **** Jul. 31, 2012**

(54) **COMBINED TOOLBOX AND VACUUM CLEANER**

(75) Inventors: **Robert Lent Crevling, Jr.**, Cogan Station, PA (US); **Jason Gottschall**, South Williamsport, PA (US); **Craig A. Seasholtz**, Avis, PA (US); **John Griffin**, Phoenix, AZ (US)

(73) Assignee: **Shop Vac Corporation**, Williamsport, PA (US)

(**) Term: **14 Years**

(21) Appl. No.: **29/380,071**

(22) Filed: **Nov. 30, 2010**

(51) **LOC (9) Cl.** **03-01**

(52) **U.S. Cl.** **D3/274; D32/21; D3/279; D3/284**

(58) **Field of Classification Search** **D3/273, D3/274, 276, 279, 281, 283-284, 294, 295, D3/905; D32/21, 18, 24; 206/349, 372-379, 206/1.5; 55/DIG. 3, 345, 357, 429, 271**
See application file for complete search history.

(56) **References Cited**

U.S. PATENT DOCUMENTS

D206,574 S *	1/1967	Cook	D32/24
D261,267 S *	10/1981	Hug	D32/21
D329,747 S *	9/1992	Embree	D3/294
D369,022 S *	4/1996	Sun	D3/271.12
D378,874 S *	4/1997	Dickinson et al.	D3/281
5,799,362 A *	9/1998	Huffman	15/321
D467,426 S *	12/2002	Hardigg et al.	D3/279
7,284,763 B1 *	10/2007	King	280/47.26
D558,410 S *	12/2007	Hill et al.	D32/21
7,306,099 B2 *	12/2007	Chen	206/379
D609,911 S *	2/2010	Twig	D3/279
D613,560 S *	4/2010	Robichaud et al.	D7/605

D630,851 S *	1/2011	Landau et al.	D3/279
D636,547 S *	4/2011	Moore, Jr.	D32/24
2010/0000893 A1 *	1/2010	Twig et al.	206/373

FOREIGN PATENT DOCUMENTS

GB 2406331 A * 3/2005

* cited by examiner

Primary Examiner — Jennifer Rivard

(74) *Attorney, Agent, or Firm* — Marshall, Gerstein & Borun LLP; Robert M. Gerstein; Richard M. LaBarge

(57) **CLAIM**

The ornamental design for a combined toolbox and vacuum cleaner, as shown and described.

DESCRIPTION

FIG. 1 is a front, top, and side view of a combined toolbox and vacuum cleaner that has the design.

FIG. 2 is a view of the same product with the handles in raised positions.

FIG. 3 is a view of the same product with the toolbox lid opened.

FIG. 4 is a view of the same product with the toolbox lid opened and the interior tray removed.

FIG. 5 is an elevation view of the front of the product.

FIG. 6 is an elevation view of the vacuum end of the product.

FIG. 7 is an elevation view of the toolbox end of the product.

FIG. 8 is an elevation view of the rear of the product.

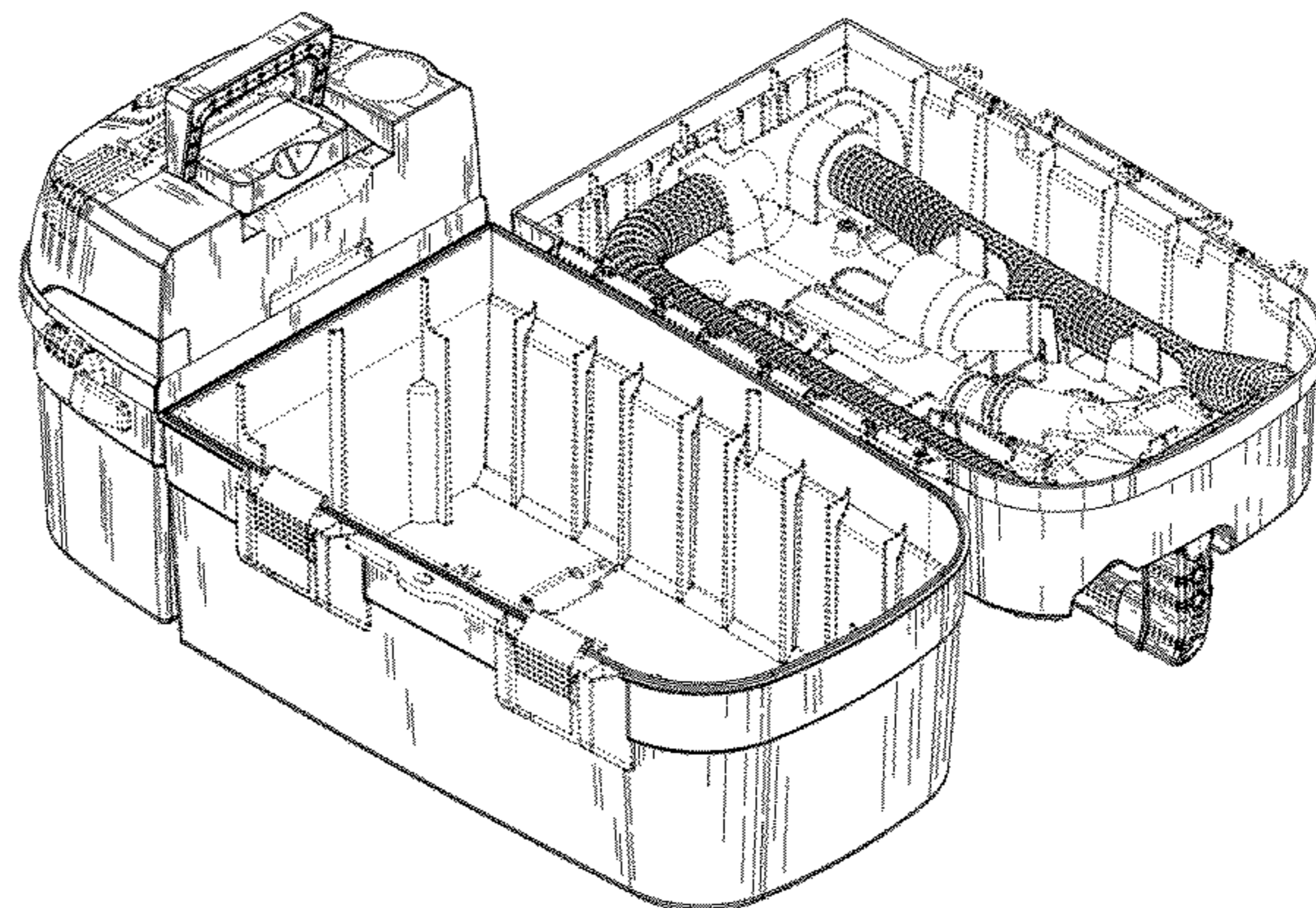
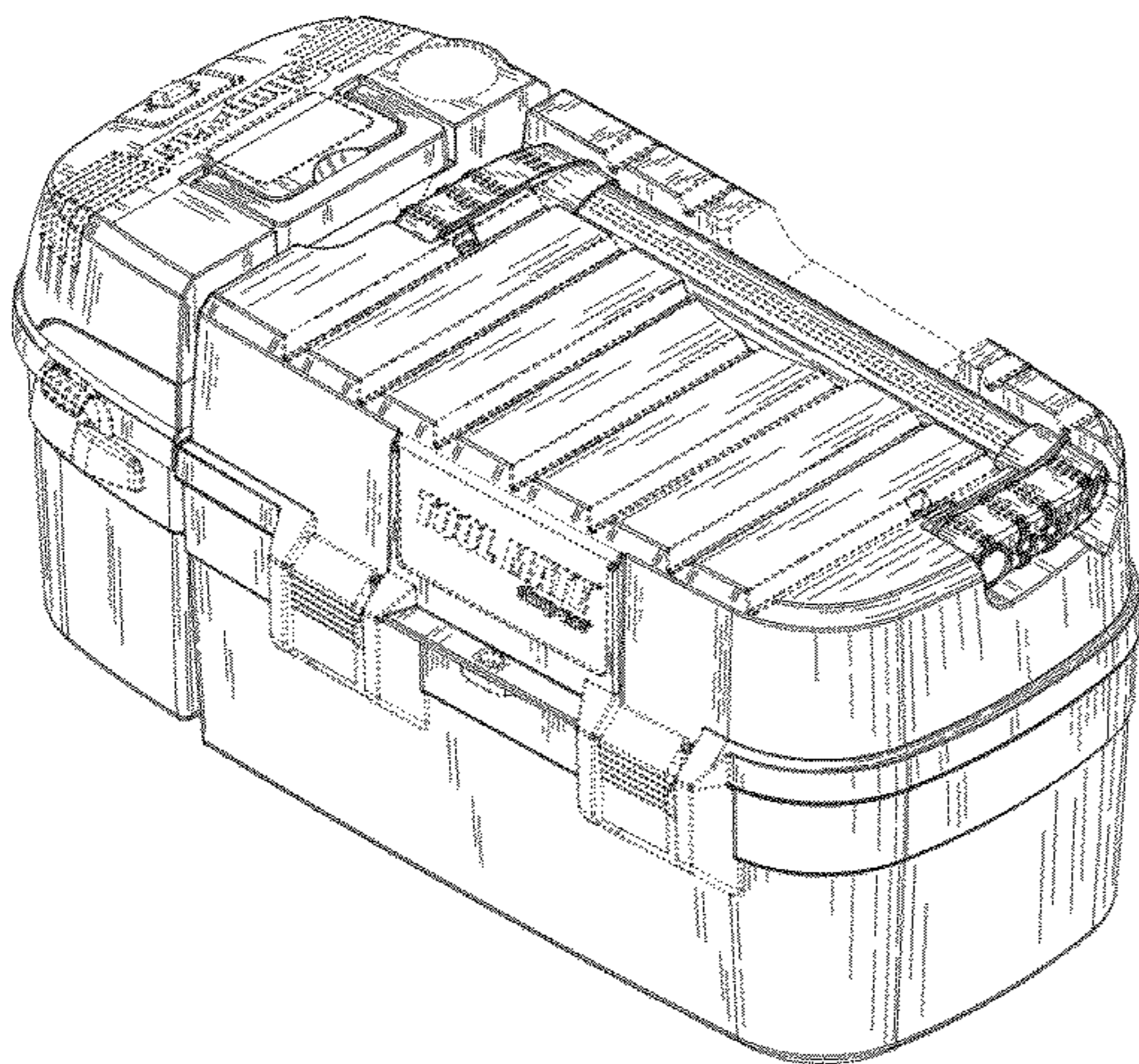
FIG. 9 is an elevation view of the mating end of the vacuum part of the product; and,

FIG. 10 is a side elevation of the mating end of the toolbox part of the product.

The trademarks that appear on the product form no part of the claimed design.

The broken lines represent unclaimed elements of the combined toolbox and vacuum cleaner, and form no part of the claimed design.

1 Claim, 9 Drawing Sheets



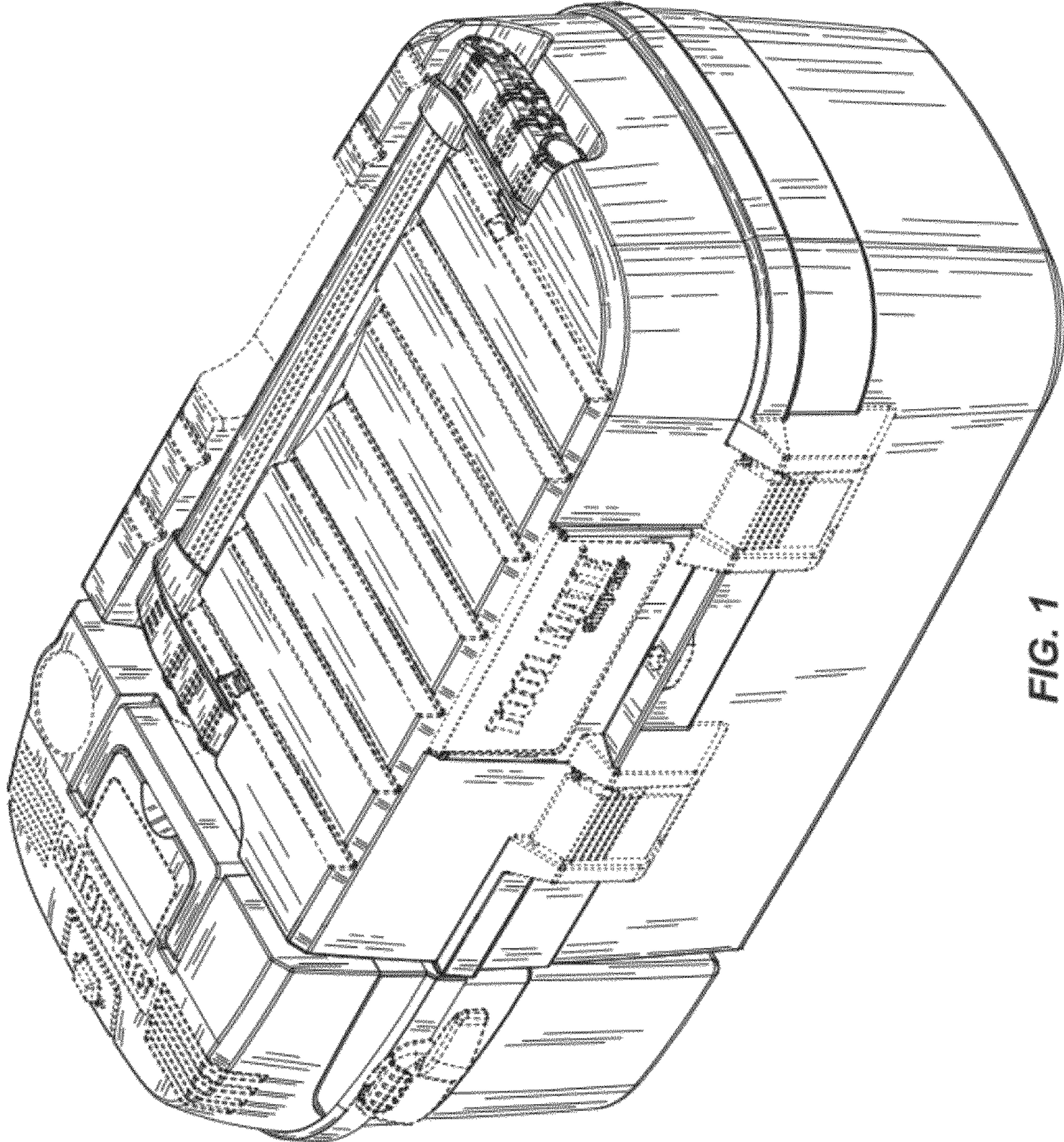


FIG. 1

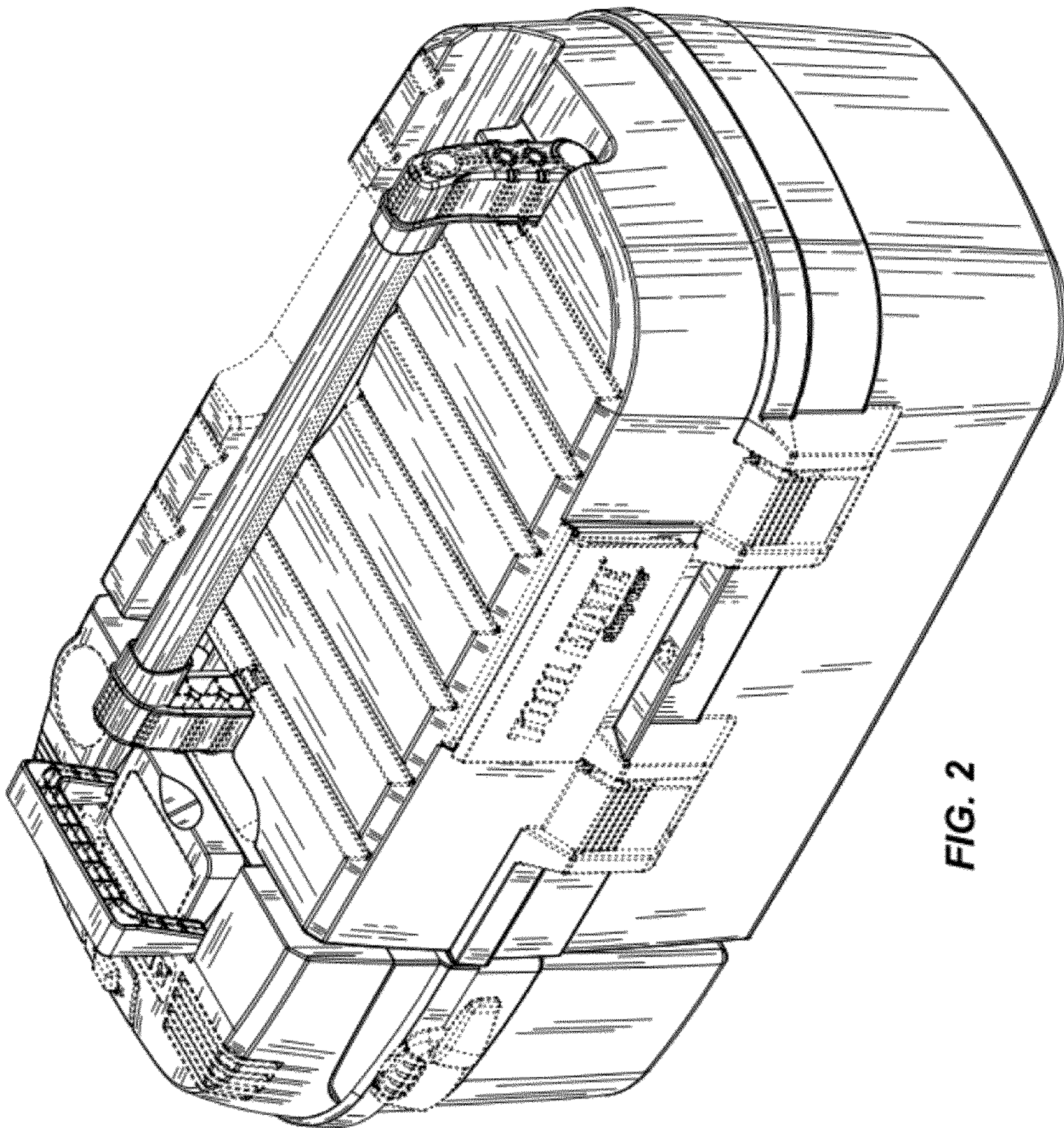


FIG. 2

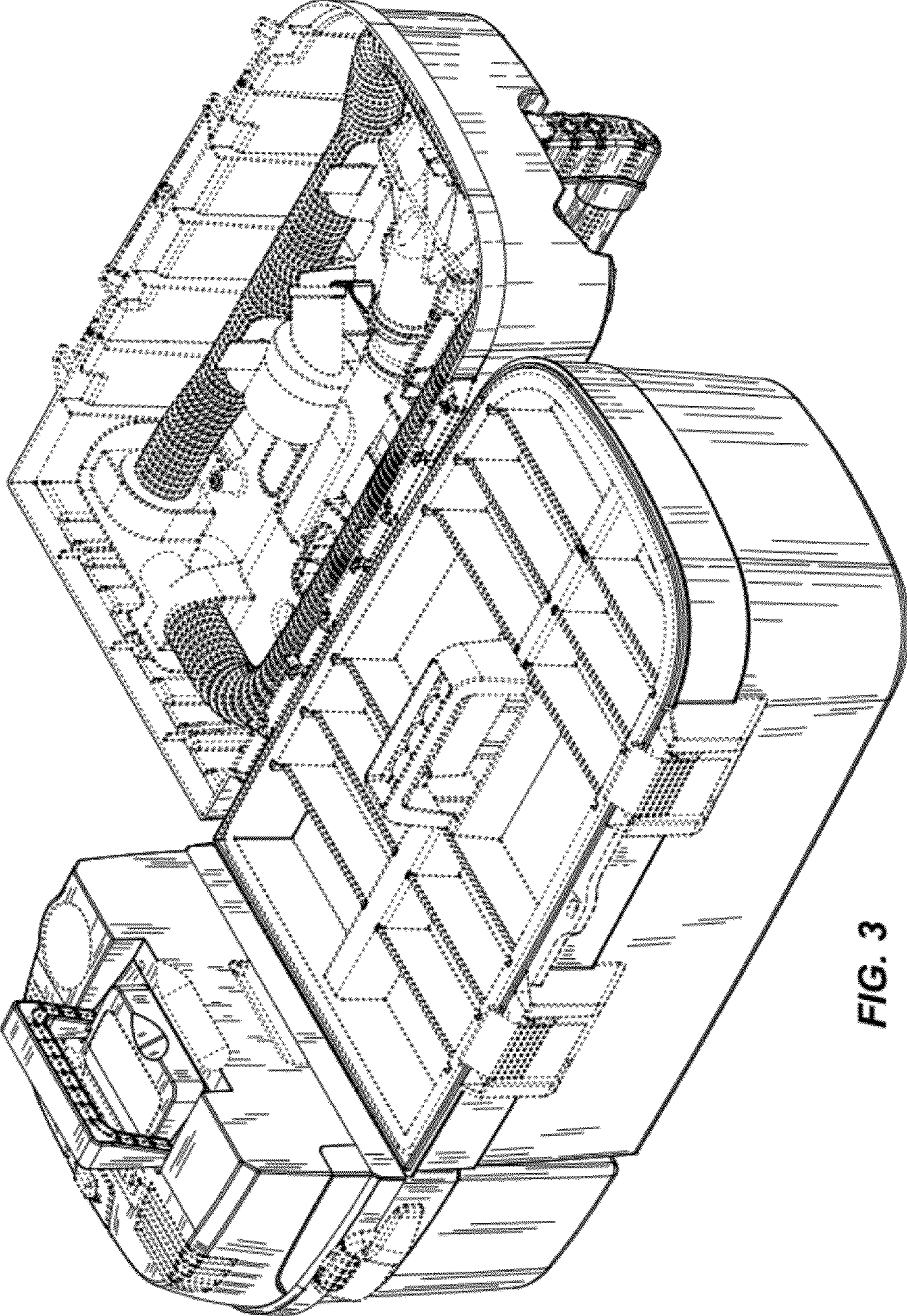


FIG. 3

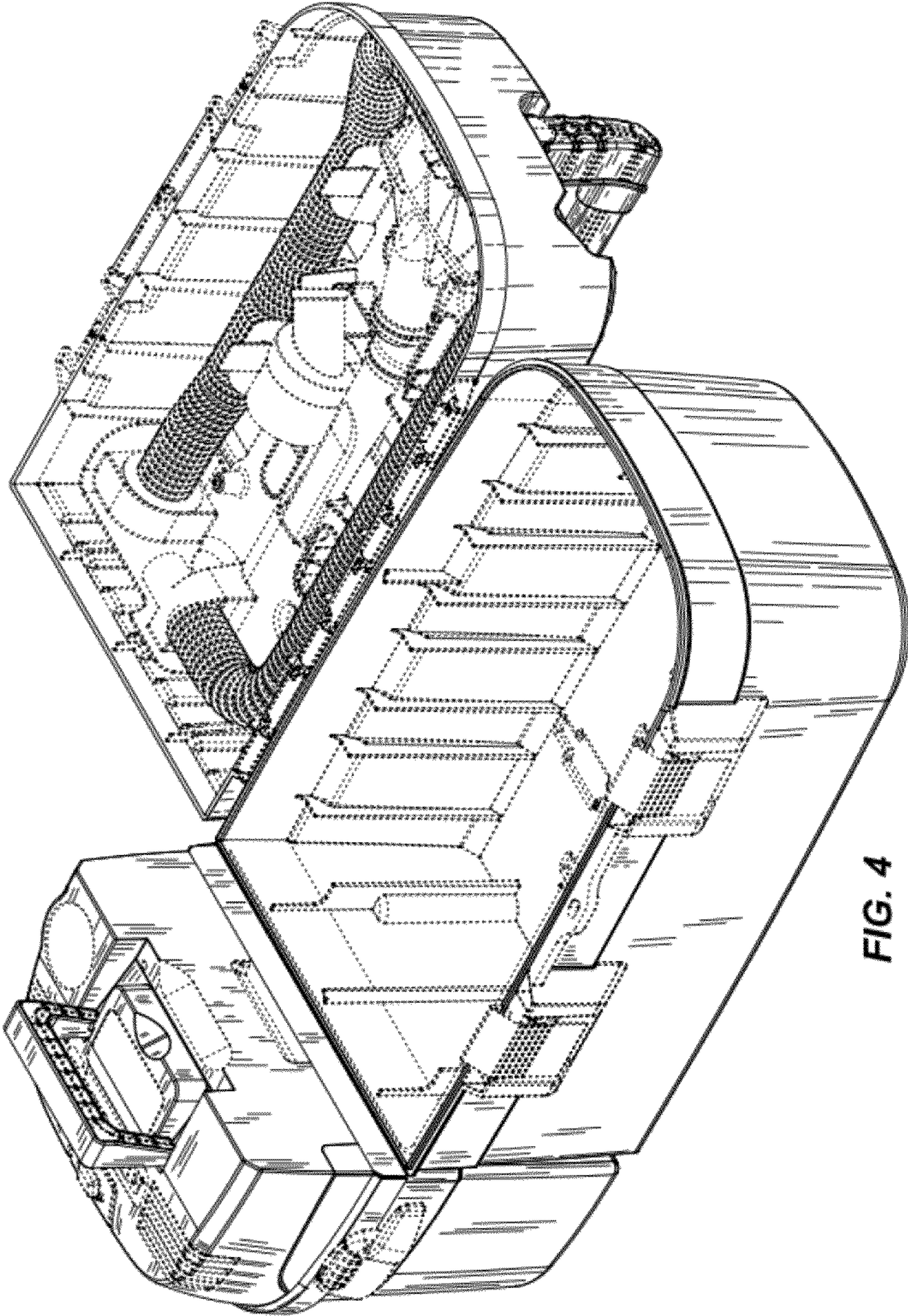


FIG. 4

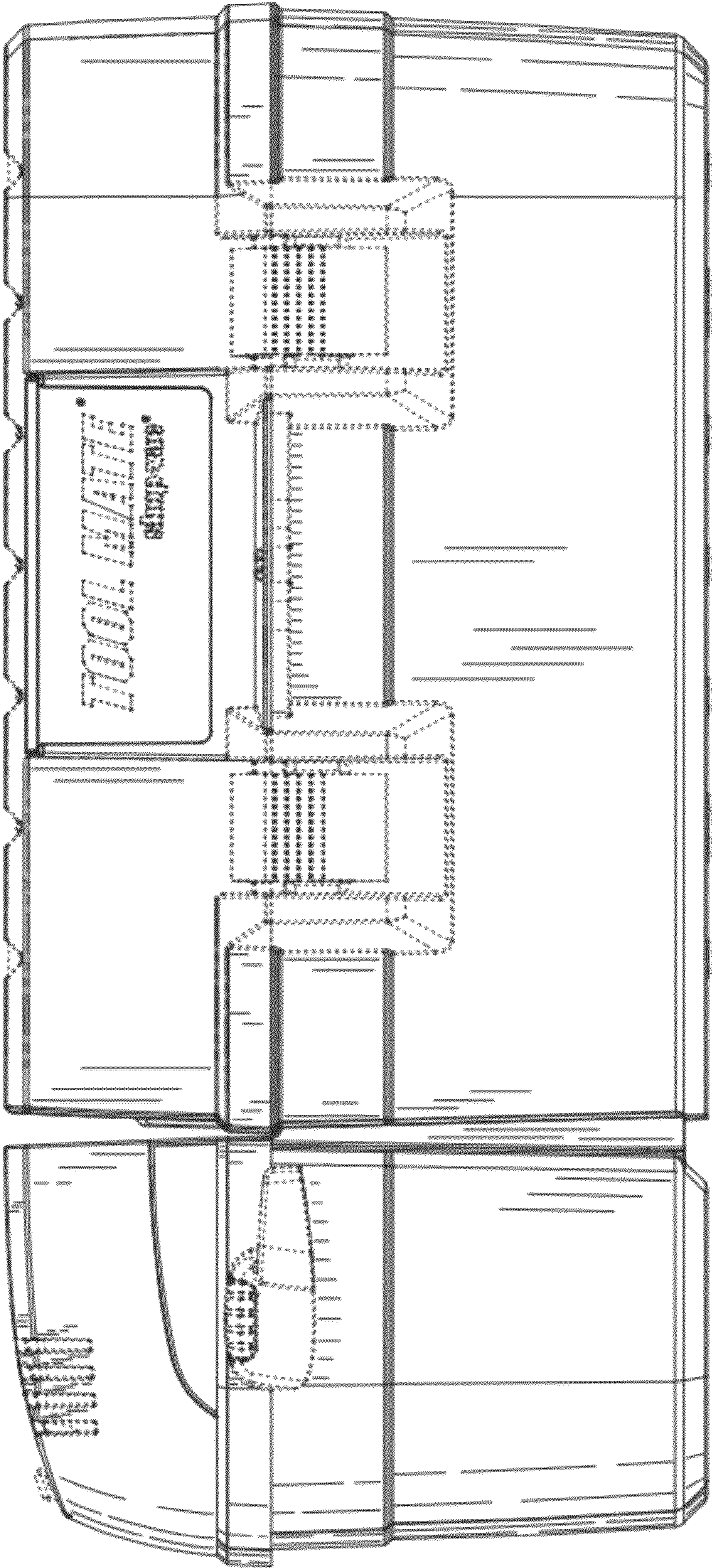


FIG. 5

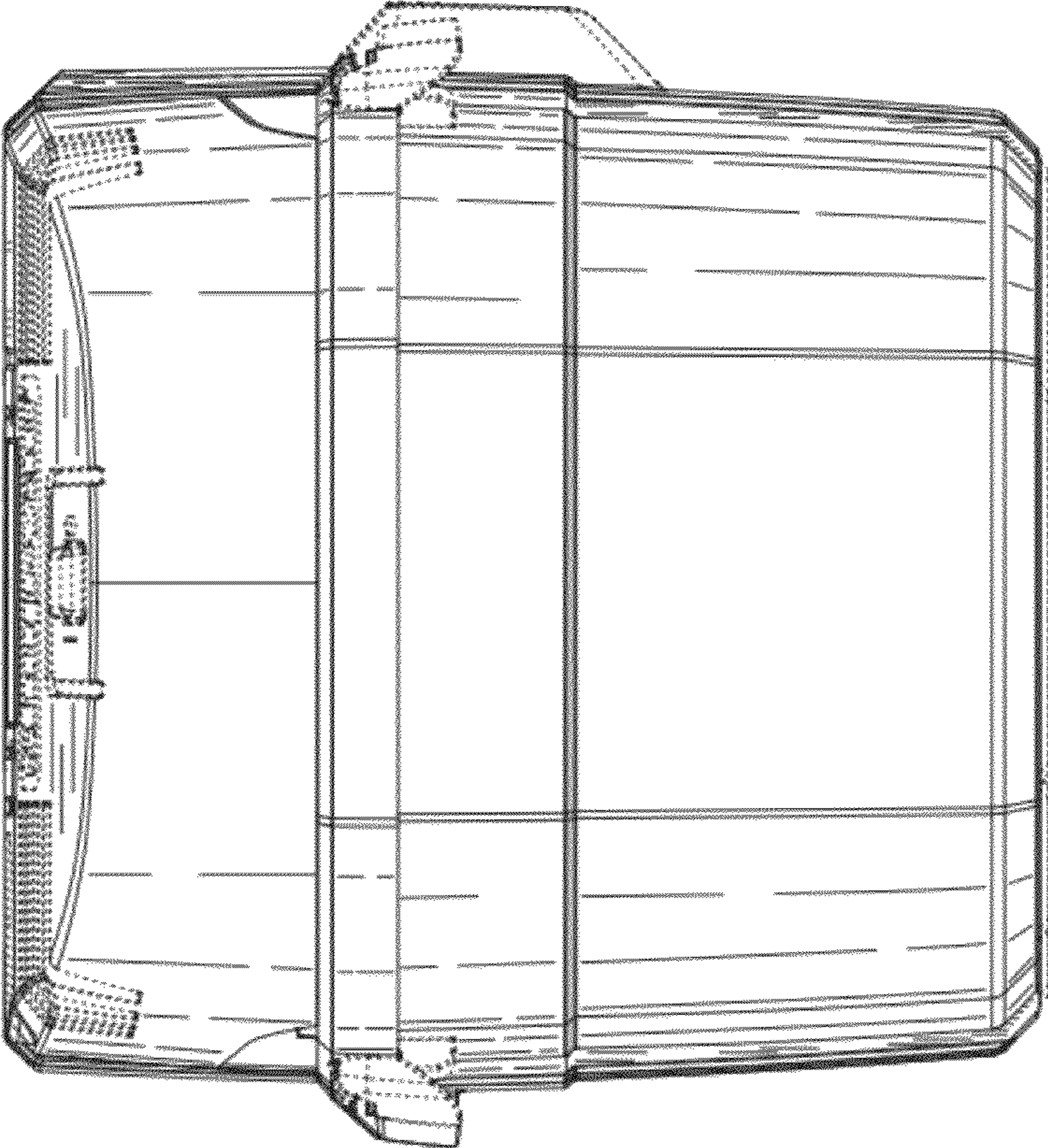


FIG. 6

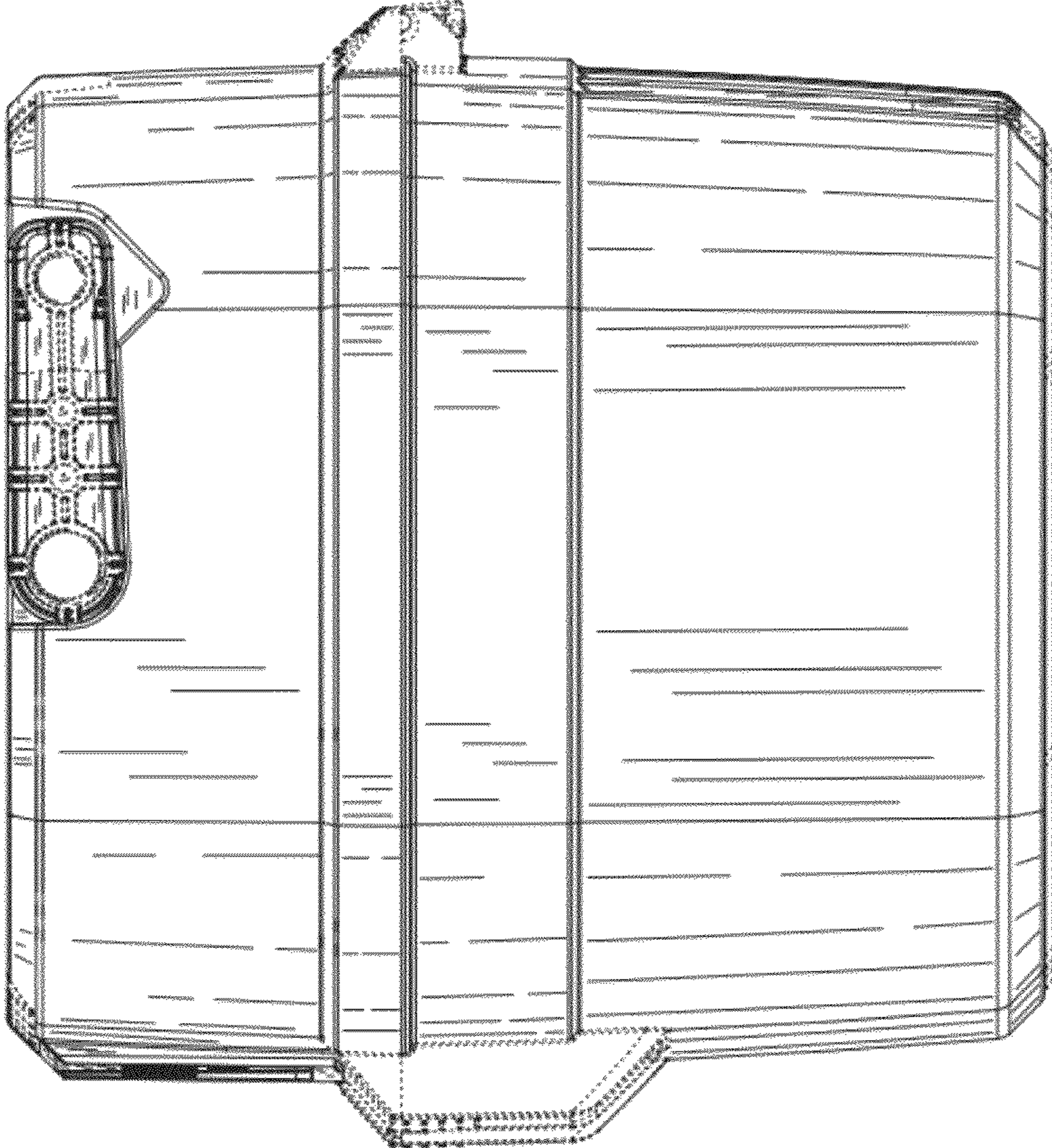


FIG. 7

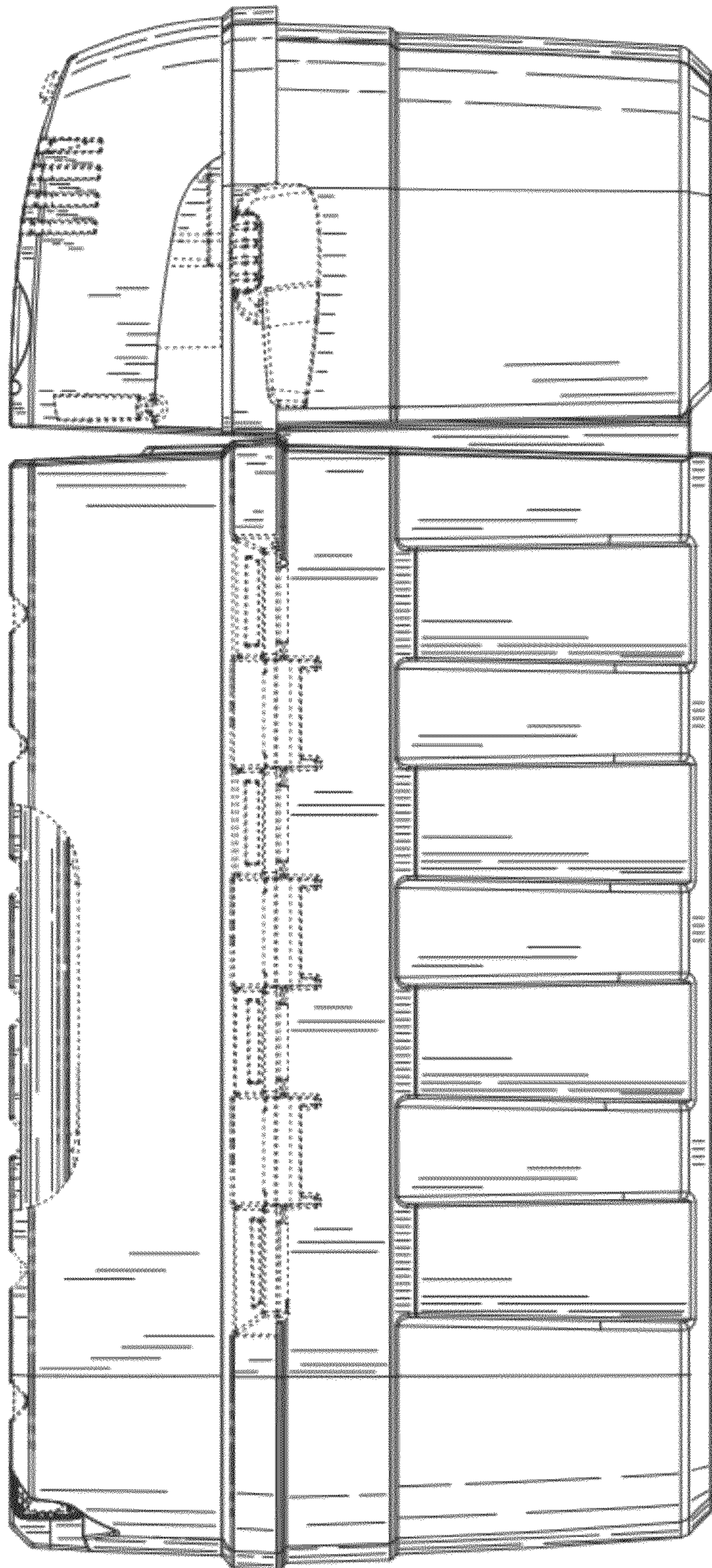


FIG. 8

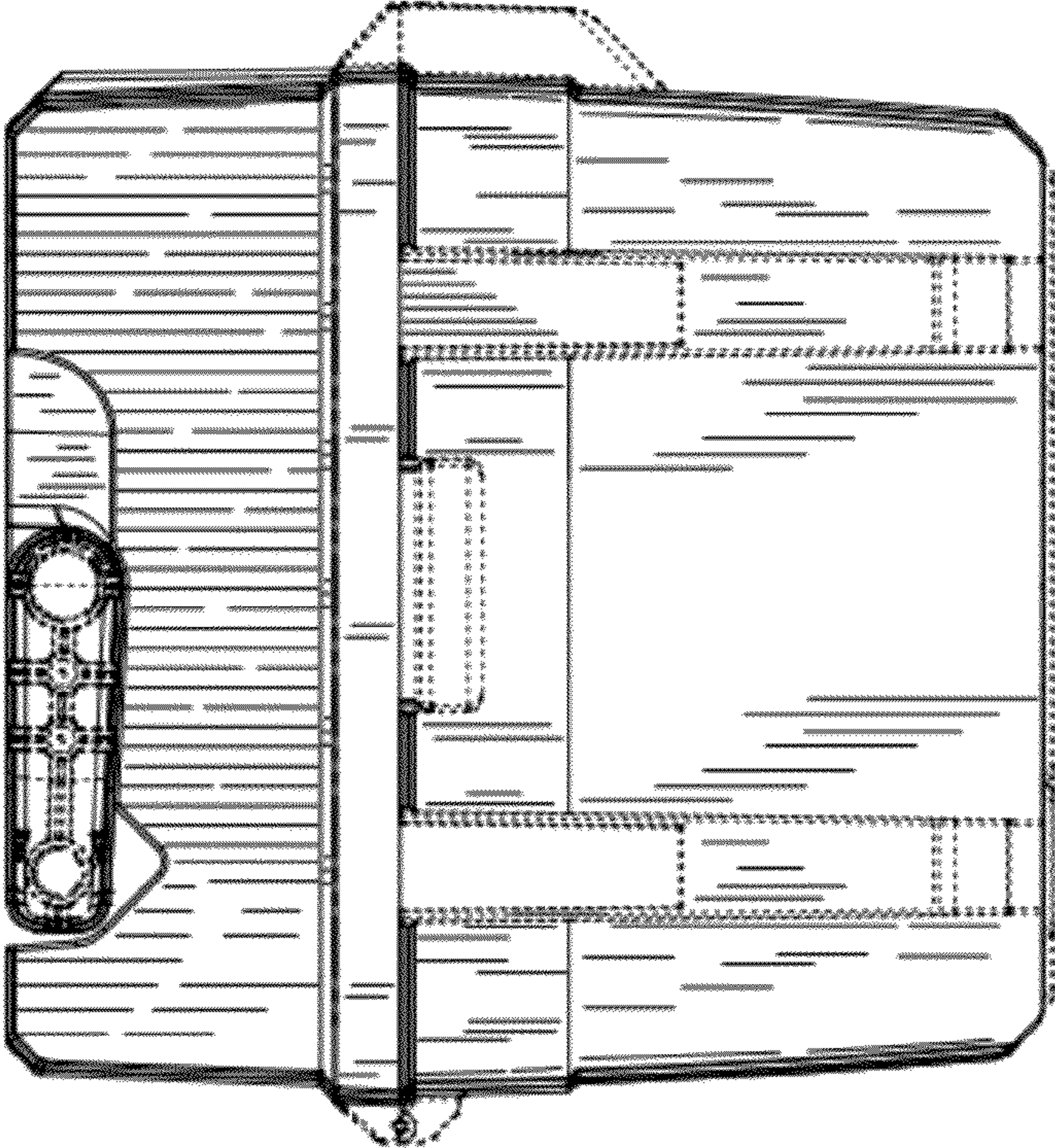


FIG. 10

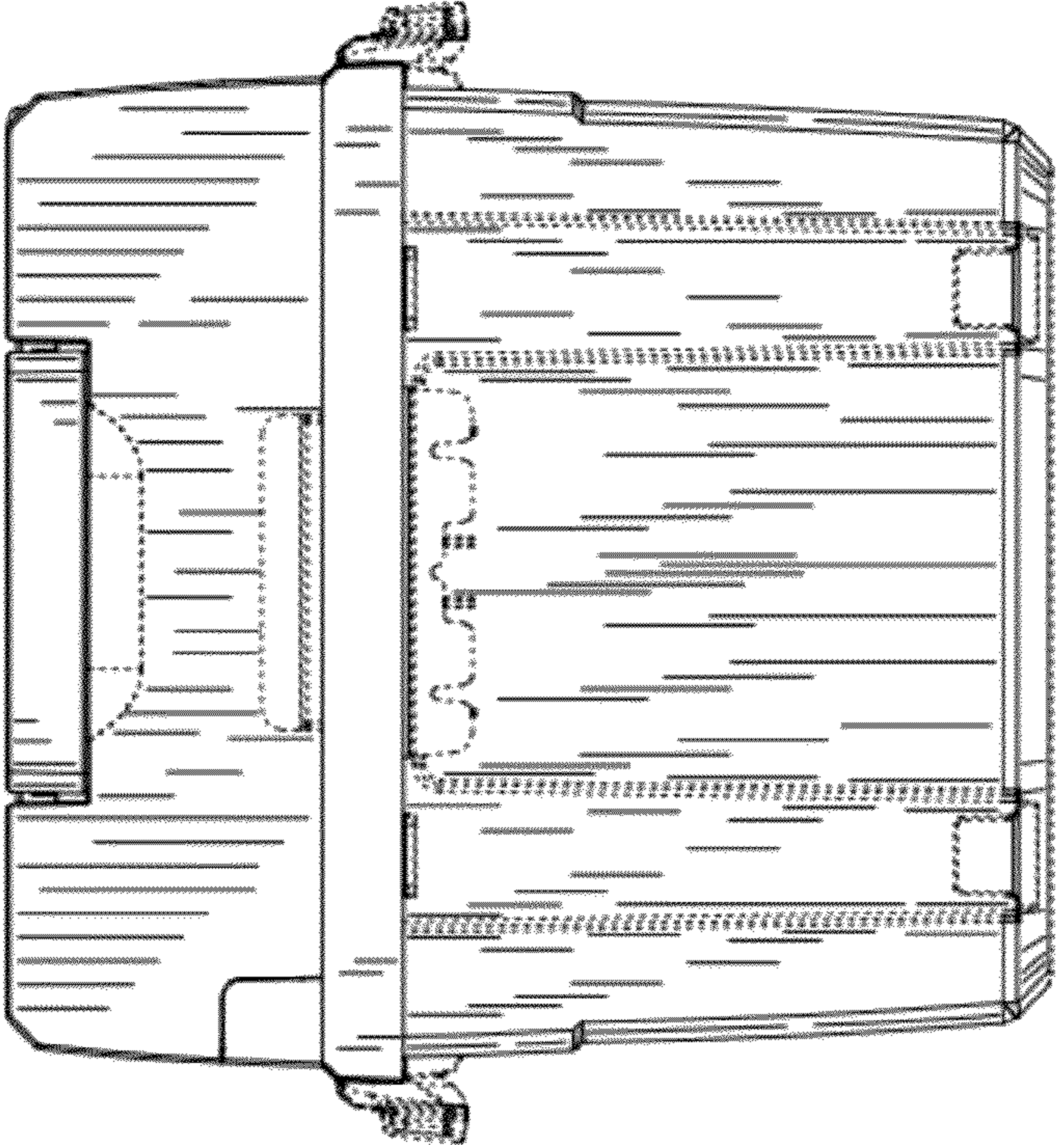


FIG. 9