

US00D664352S

(12) **United States Design Patent**
Shamoon

(10) **Patent No.:** **US D664,352 S**

(45) **Date of Patent:** **** Jul. 31, 2012**

(54) **TREAT POUCH**

(76) Inventor: **Ellis N. Shamoon**, Dallas, TX (US)

(**) Term: **14 Years**

(21) Appl. No.: **29/375,093**

(22) Filed: **Sep. 17, 2010**

(51) **LOC (9) Cl.** **03-01**

(52) **U.S. Cl.** **D3/226**

(58) **Field of Classification Search** D3/215,
D3/226, 225, 230, 271.1, 271.2; D30/161-162,
D30/199; 294/1.3; 224/236, 240, 245, 674-676,
224/825

See application file for complete search history.

(56) **References Cited**

U.S. PATENT DOCUMENTS

5,890,637 A * 4/1999 Furneaux 224/191
6,199,737 B1 * 3/2001 Ringelstetter 224/675
D453,067 S * 1/2002 Cody D3/215

D538,038 S * 3/2007 Iacchetti D3/271.1
D617,550 S * 6/2010 Rudolph D3/226
D649,346 S * 11/2011 Davidson D3/215

* cited by examiner

Primary Examiner — Catheri Oliver

(74) *Attorney, Agent, or Firm* — Daniel V. Thompson

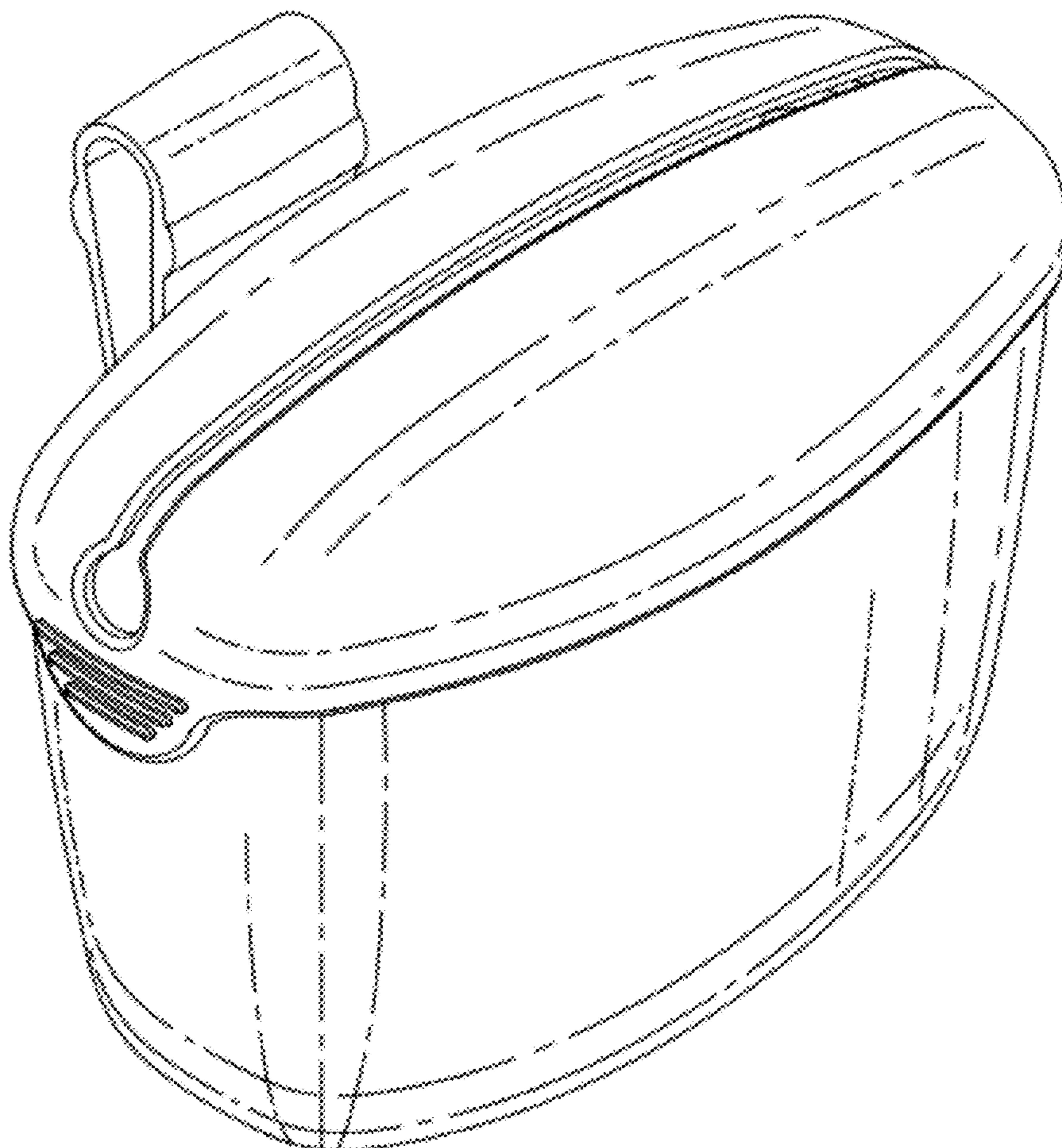
(57) **CLAIM**

The ornamental design for a treat pouch, as shown and described.

DESCRIPTION

FIG. 1 is a perspective view of the treat pouch showing my new design;
FIG. 2 is a front elevational view thereof;
FIG. 3 is a rear elevational view thereof;
FIG. 4 is a right side elevational view thereof;
FIG. 5 is a left side elevational view thereof;
FIG. 6 is a top plan view thereof; and,
FIG. 7 is a bottom plan view thereof.

1 Claim, 5 Drawing Sheets



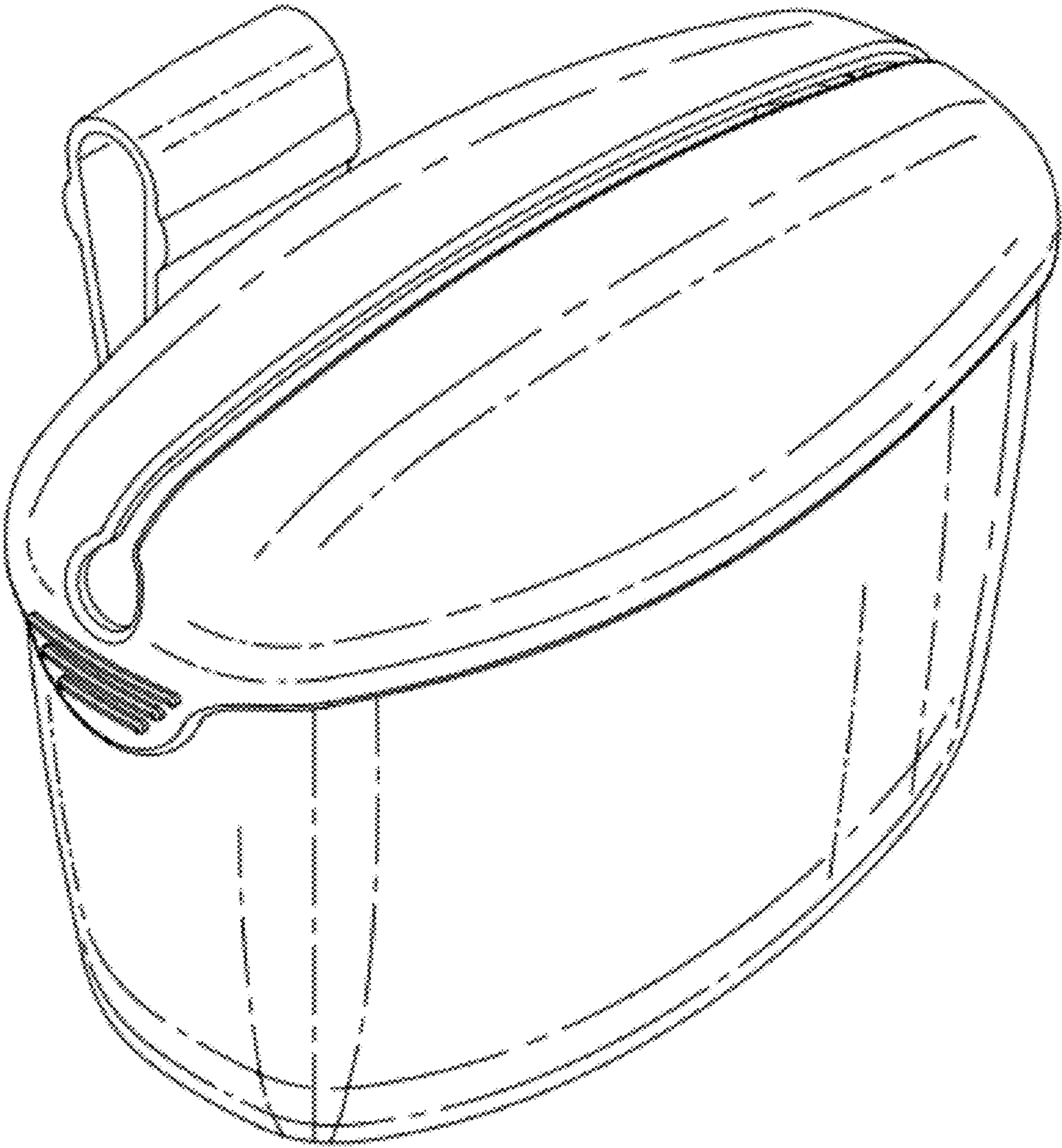


Fig. 1

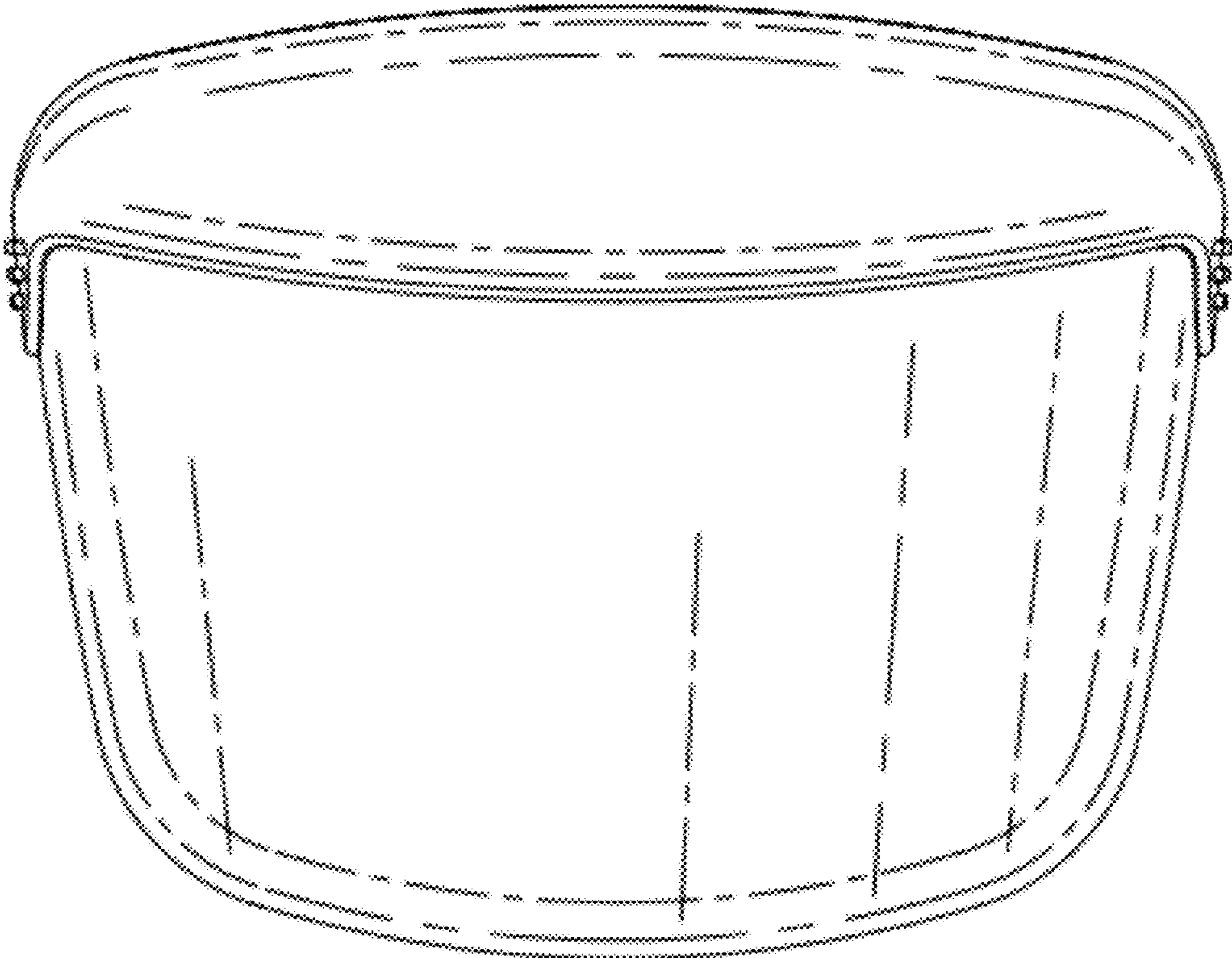


Fig. 2

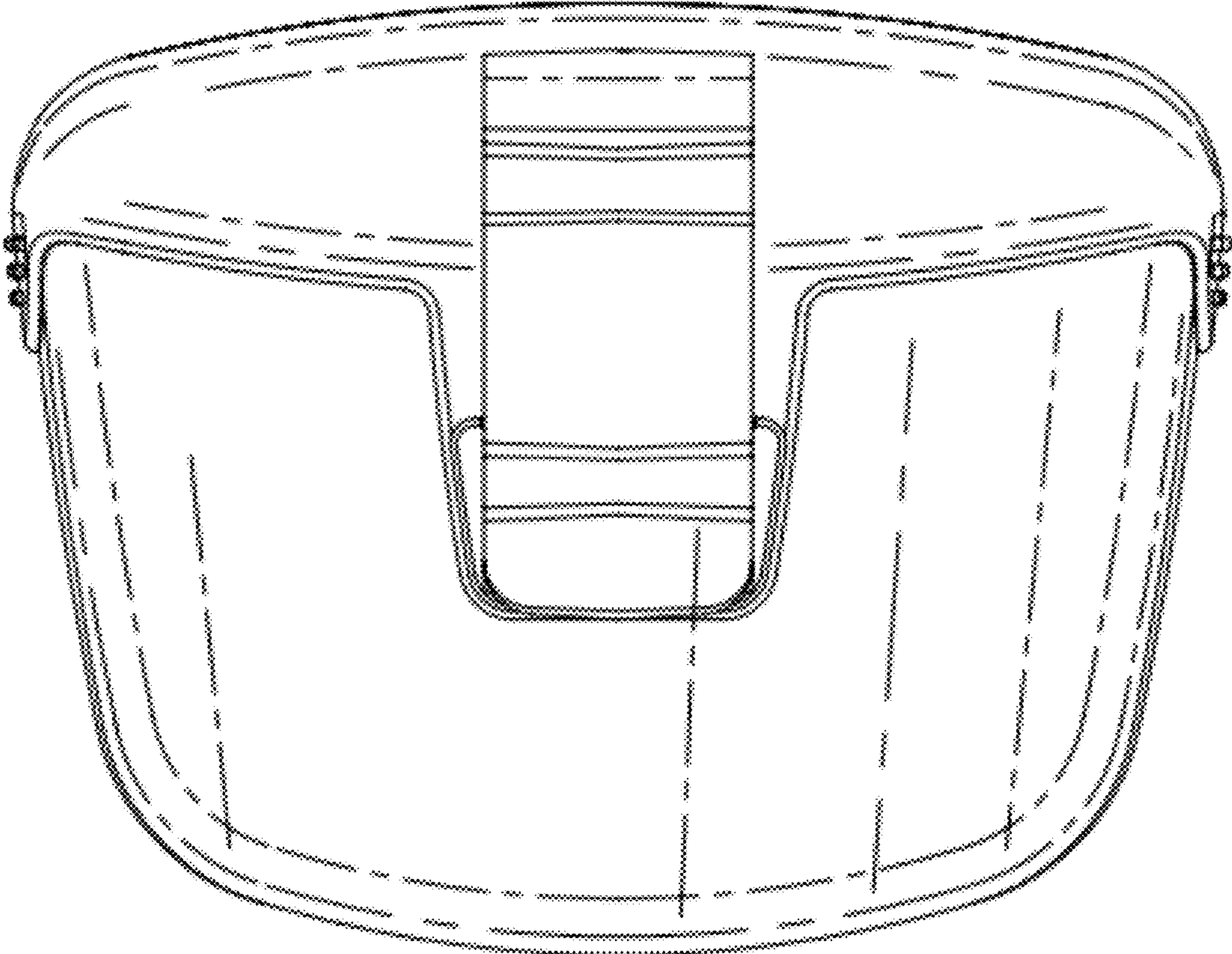


Fig. 3

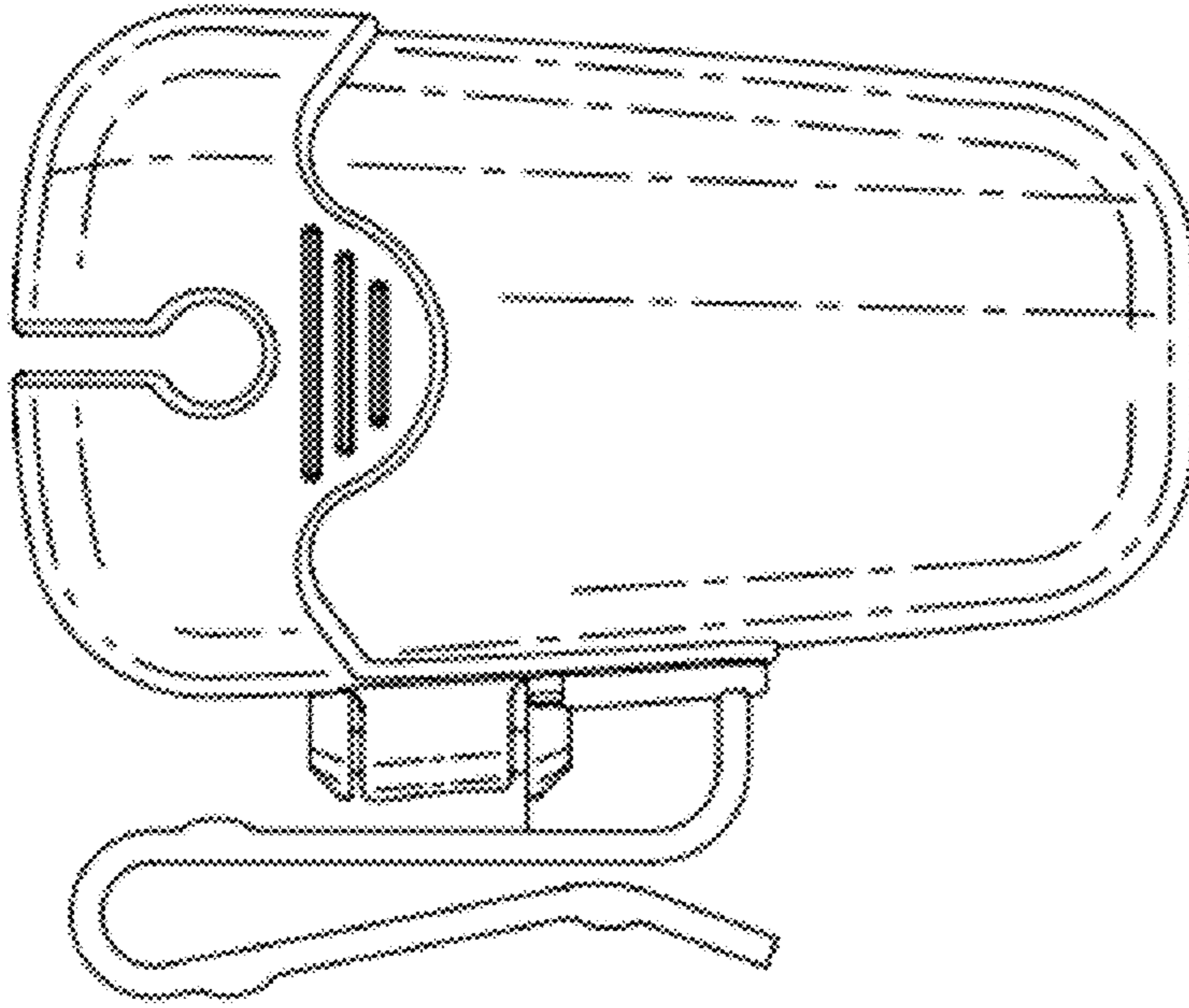


Fig. 5

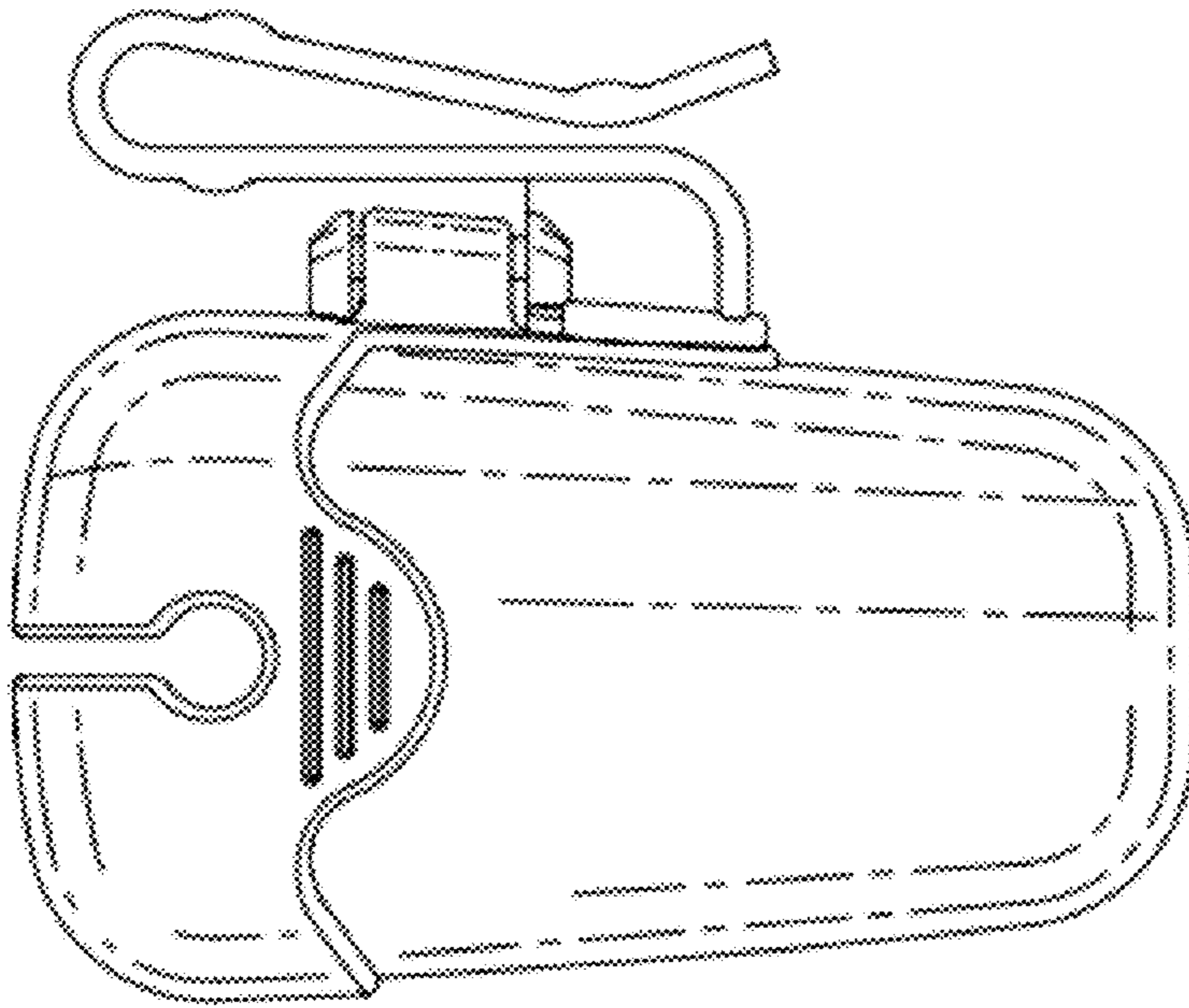


Fig. 4

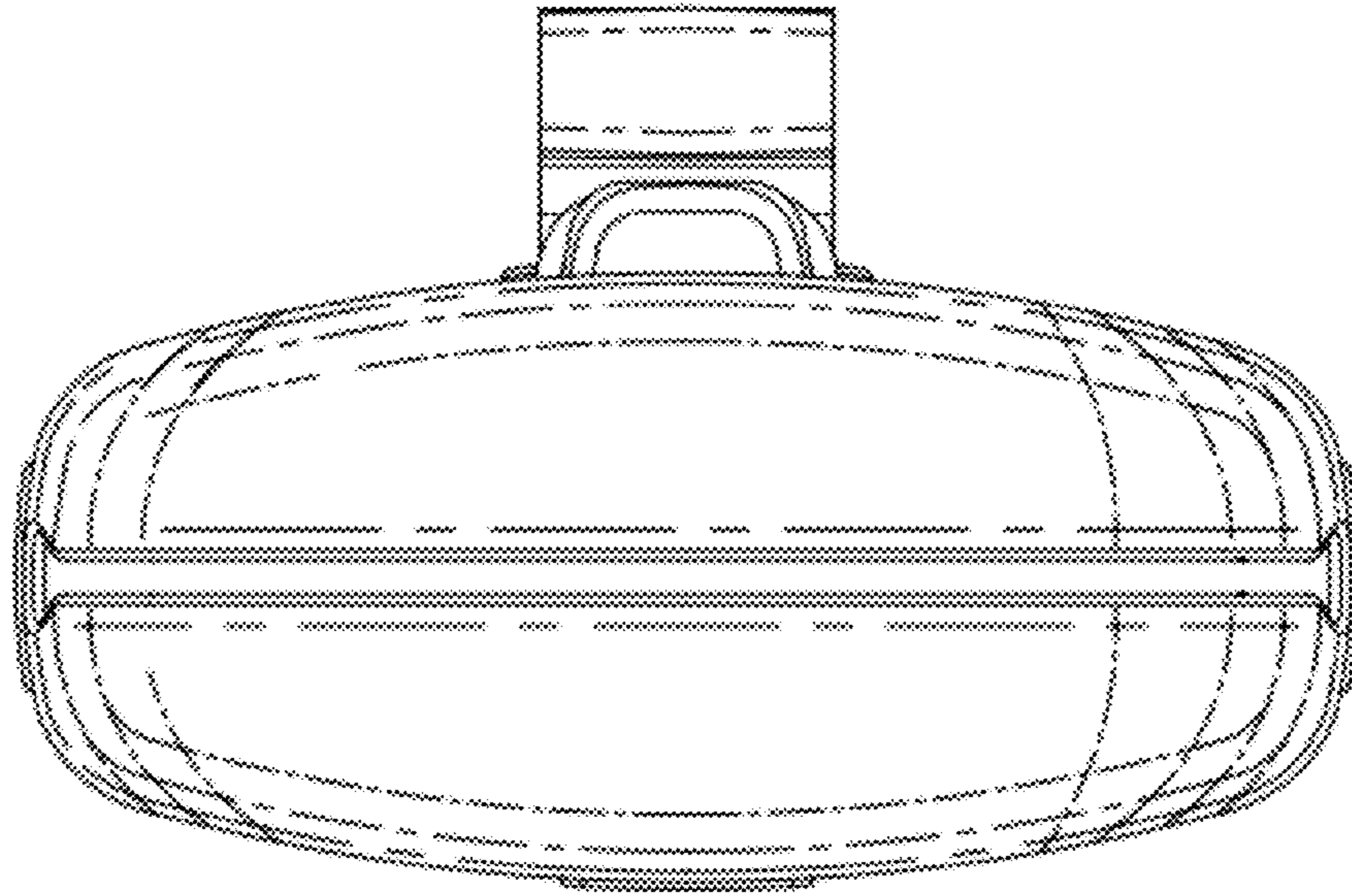


Fig. 6

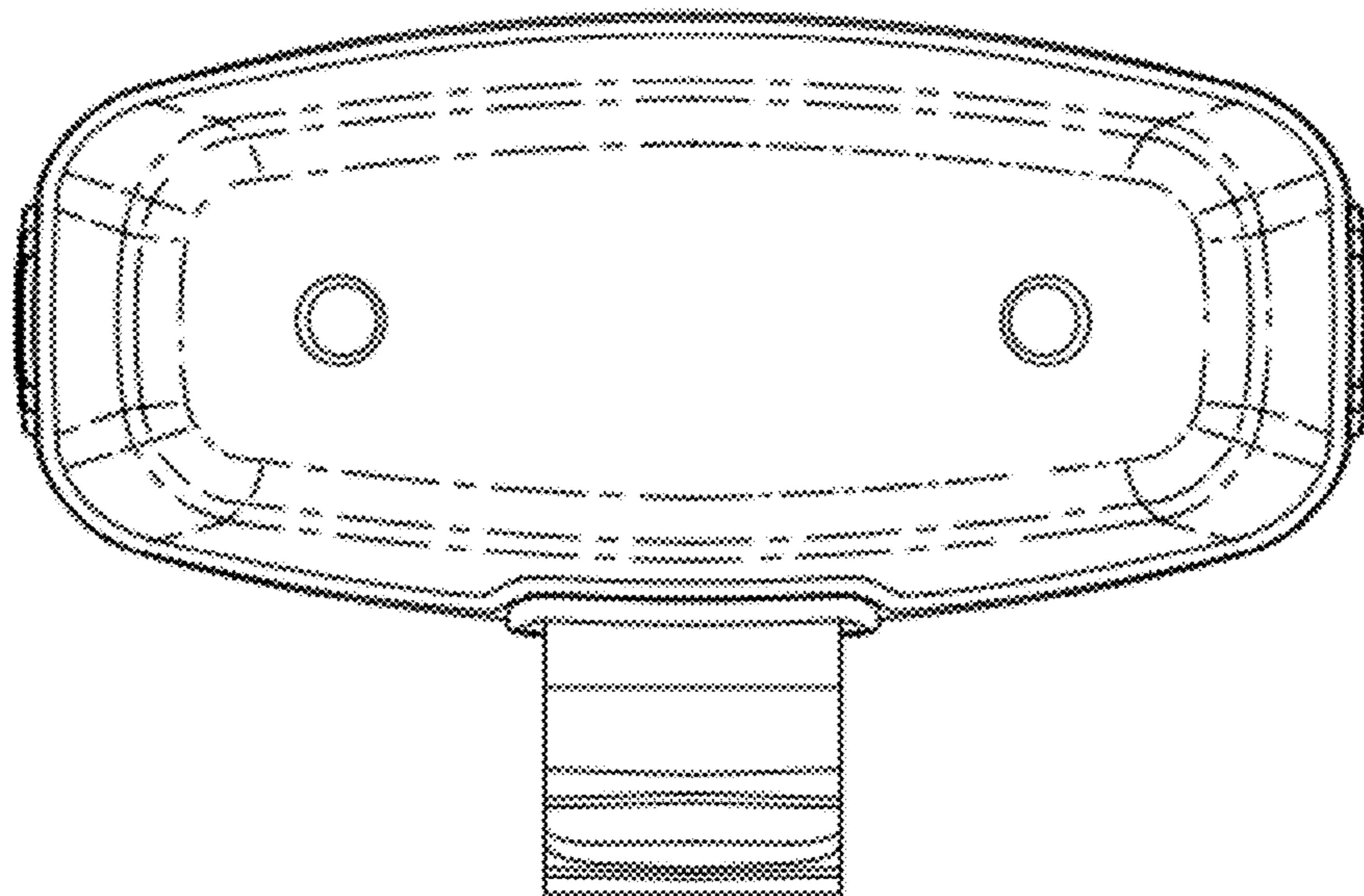


Fig. 7