



US00D664339S

(12) **United States Design Patent**
McClaskie

(10) **Patent No.:** **US D664,339 S**
(45) **Date of Patent:** **** Jul. 31, 2012**

- (54) **SHOE**
 - (75) Inventor: **Thomas E. McClaskie**, Bethlehem, PA (US)
 - (73) Assignee: **Columbia Insurance Company**, Omaha, NE (US)
 - (**) Term: **14 Years**
 - (21) Appl. No.: **29/407,218**
 - (22) Filed: **Nov. 23, 2011**
 - (51) **LOC (9) Cl.** **02-04**
 - (52) **U.S. Cl.** **D2/951; D2/950**
 - (58) **Field of Classification Search** D2/902, D2/906, 908, 916, 918, 925, 946-962, 977; 36/3 B, 22 R, 24.5, 25 R, 28, 32 R, 34 R, 36/59 C, 67 A, 103
- See application file for complete search history.

D610,787 S *	3/2010	McClaskie	D2/952
D611,235 S *	3/2010	McClaskie	D2/952
D618,891 S	7/2010	McClaskie	
D619,342 S *	7/2010	McClaskie	D2/953
D622,492 S *	8/2010	McClaskie	D2/952
D623,836 S *	9/2010	McClaskie	D2/952
D624,292 S *	9/2010	McClaskie	D2/952
D624,738 S *	10/2010	McClaskie	D2/952
D627,548 S	11/2010	McClaskie	
D645,237 S *	9/2011	McClaskie	D2/951
D653,434 S *	2/2012	McClaskie	D2/952

* cited by examiner

Primary Examiner — T. Chase Nelson

(74) *Attorney, Agent, or Firm* — St. Onge Steward Johnston & Reens LLC

(57) **CLAIM**

The ornamental design for a shoe, as shown and described.

DESCRIPTION

FIG. 1 is a bottom perspective view of a shoe in accordance with the new design;
 FIG. 2 is a bottom view thereof;
 FIG. 3 is a top view thereof;
 FIG. 4 is a left side view thereof;
 FIG. 5 is a right side view thereof;
 FIG. 6 is a front view thereof; and,
 FIG. 7 is a rear view thereof.

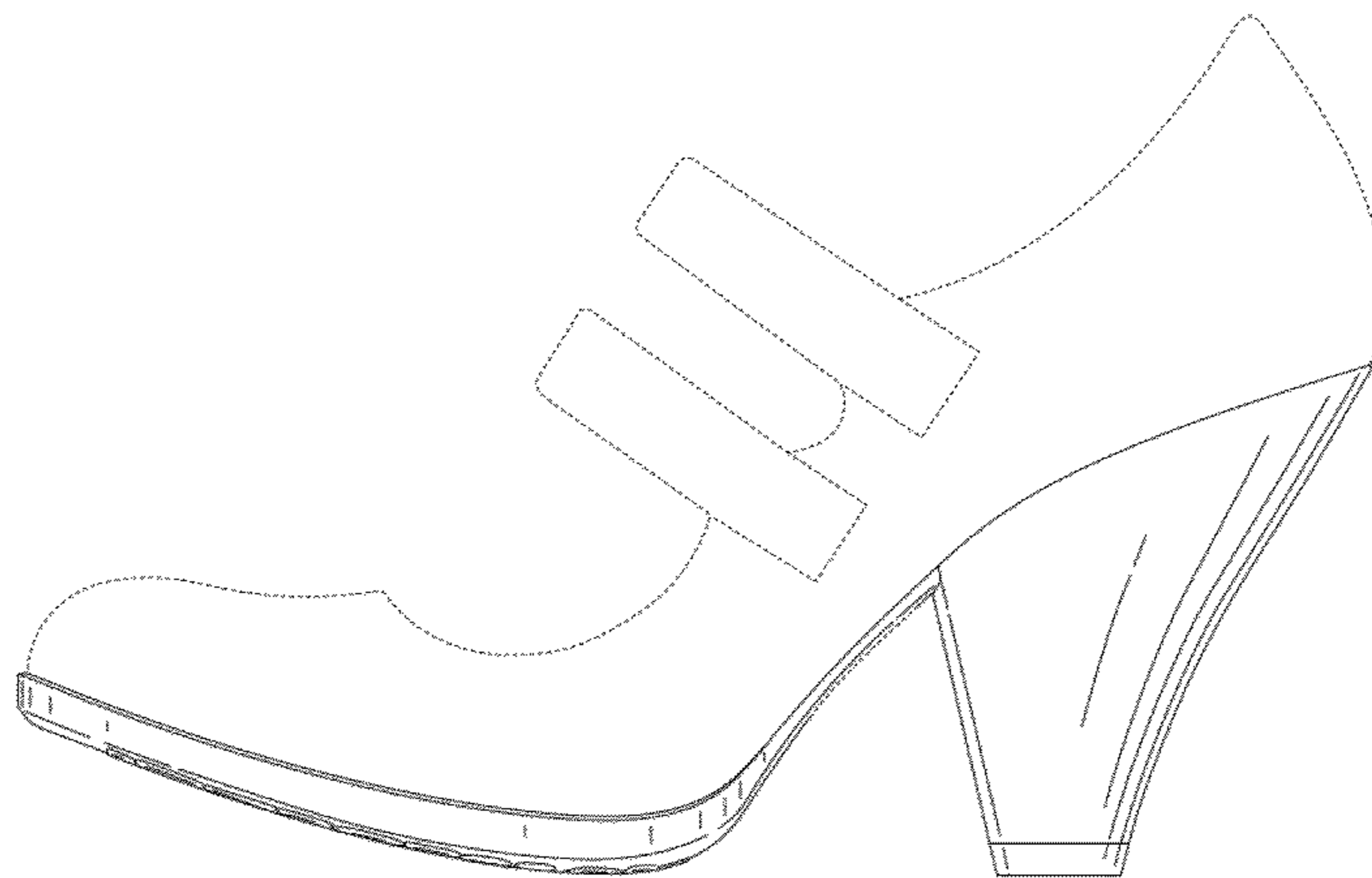
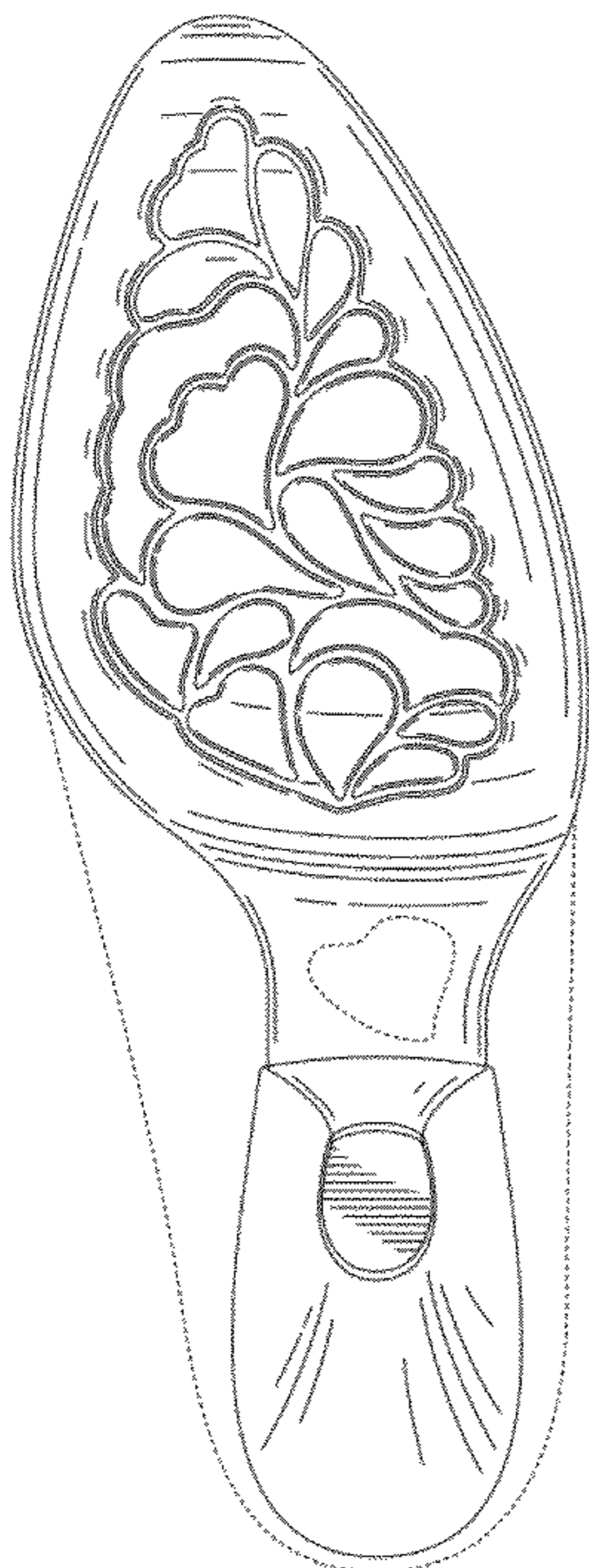
The shoe upper shown in broken lines in FIGS. 1-7 is for environmental purposes only and forms no part of the claimed design. The broken lines shown in each arch area of FIGS. 1, 2, 4 and 5 represent boundaries of the design with the lines themselves and the areas within them forming no part of the claimed design.

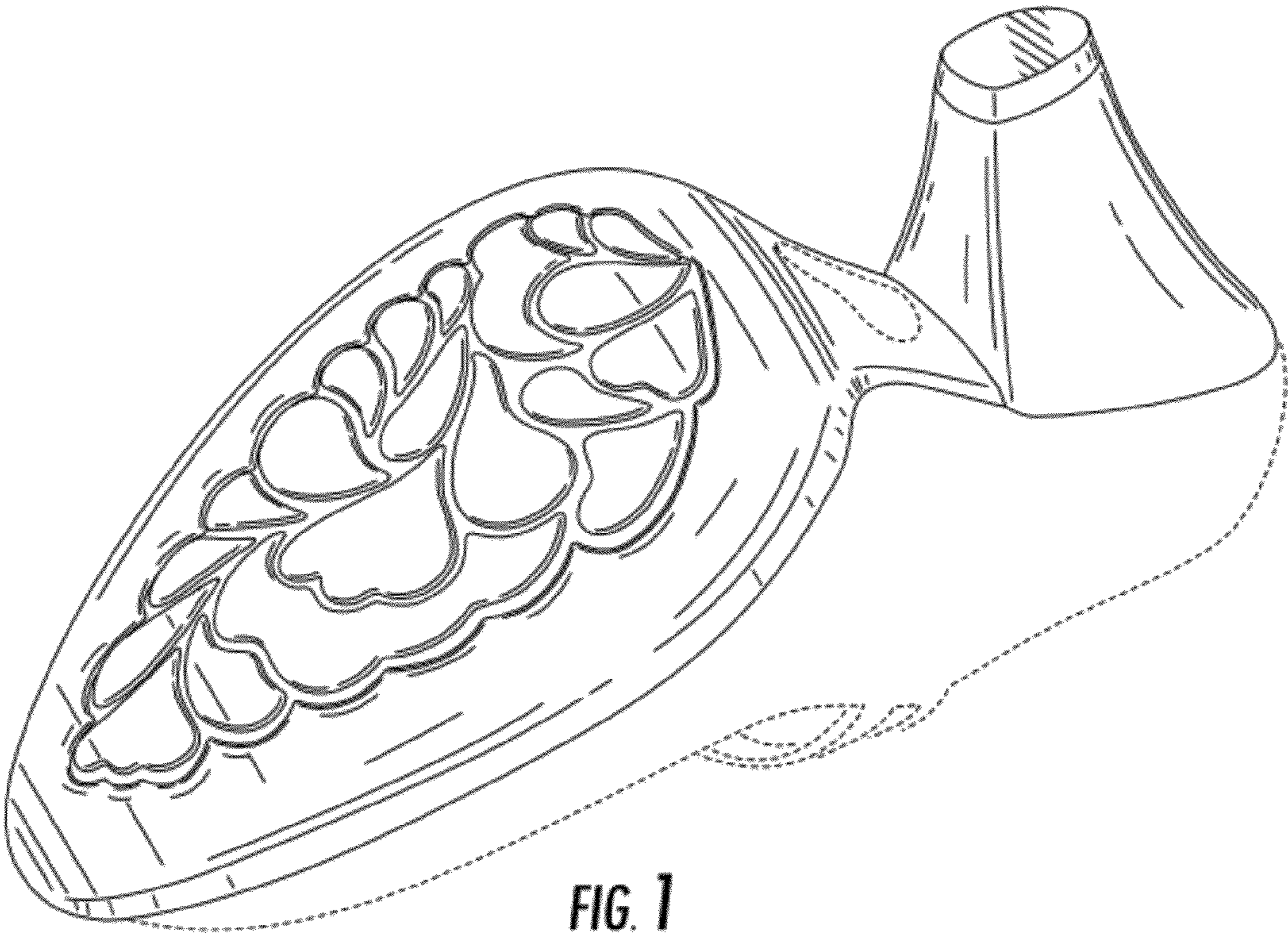
1 Claim, 7 Drawing Sheets

(56) **References Cited**

U.S. PATENT DOCUMENTS

D489,520 S	5/2004	Matis et al.	
D497,704 S *	11/2004	Wu D2/953
D542,015 S *	5/2007	McClaskie D2/952
D545,534 S *	7/2007	McClaskie D2/959
D561,433 S *	2/2008	McClaskie D2/952
D571,088 S *	6/2008	St-Louis et al. D2/953
D572,446 S	7/2008	Schoenborn et al.	
D587,438 S	3/2009	McClaskie	
D600,433 S *	9/2009	Issler D2/952
D601,333 S *	10/2009	McClaskie D2/952
D604,487 S *	11/2009	McClaskie D2/952
D608,996 S	2/2010	McClaskie	
D609,887 S *	2/2010	McClaskie D2/952
D609,889 S *	2/2010	McClaskie D2/952





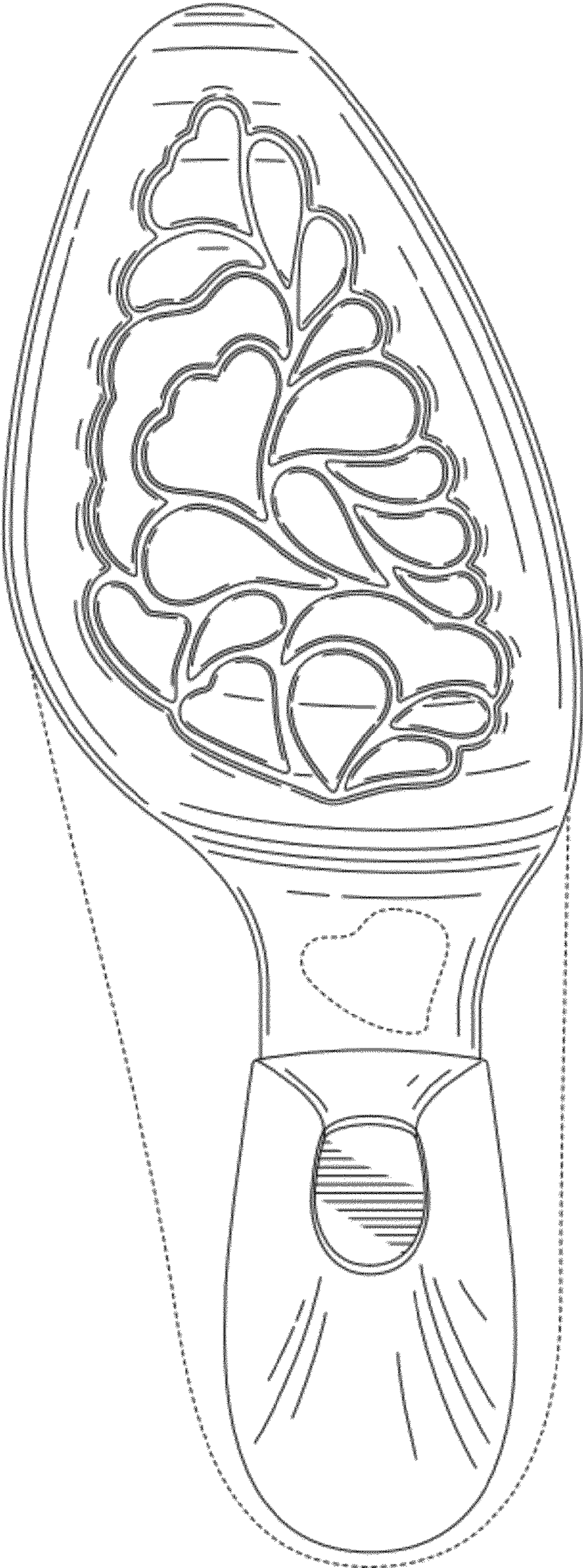


FIG. 2

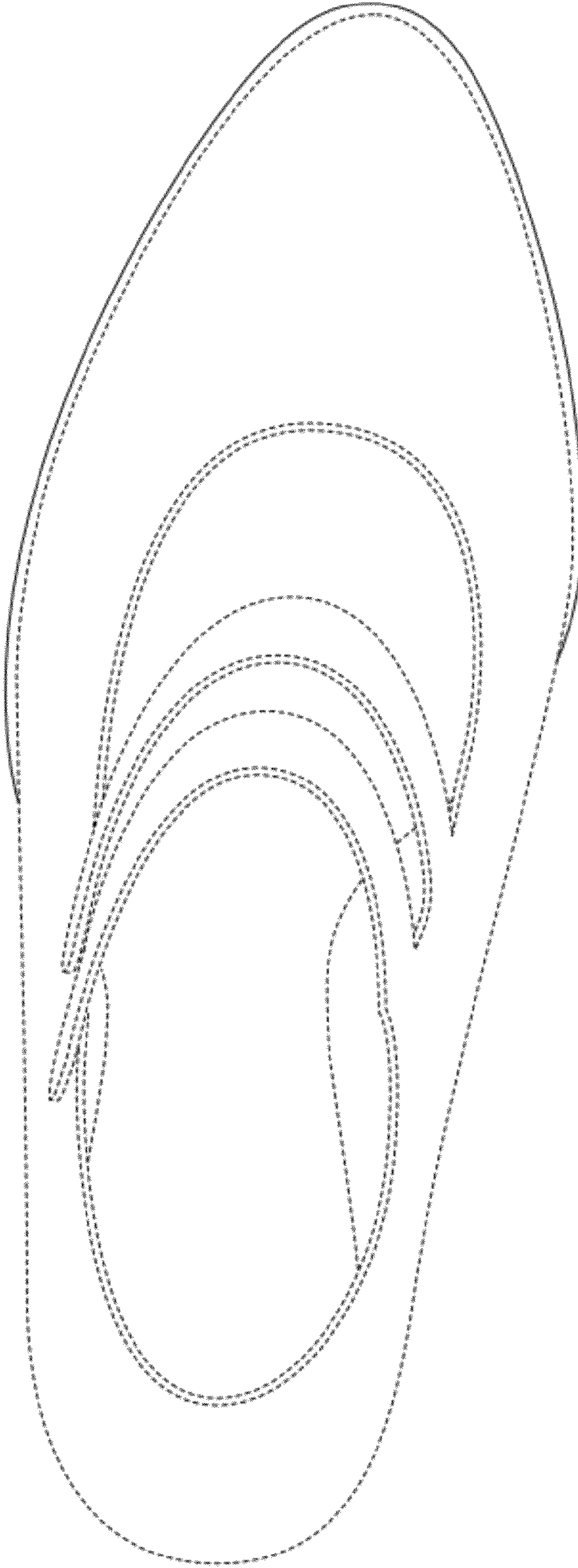


FIG. 3

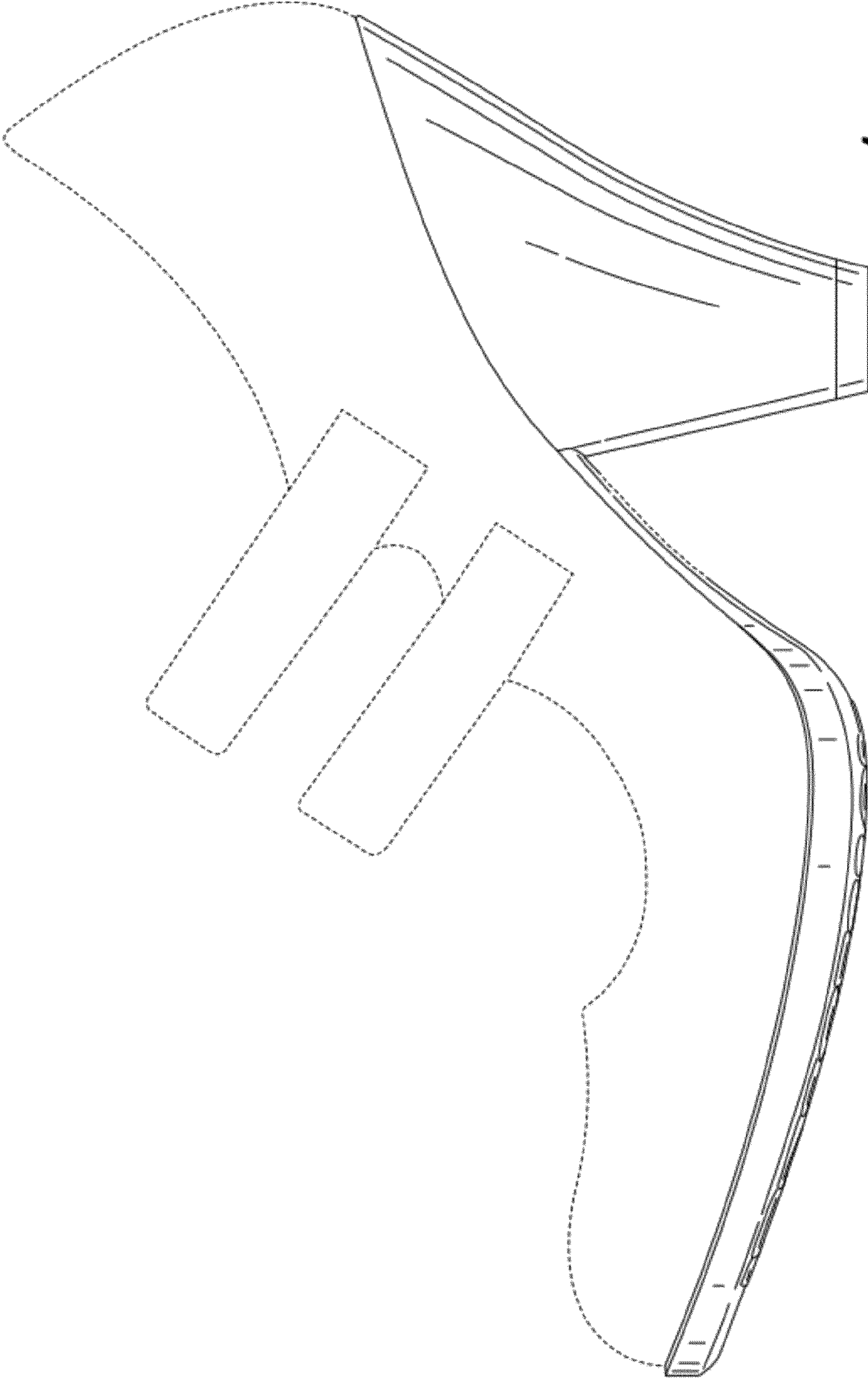


FIG. 4

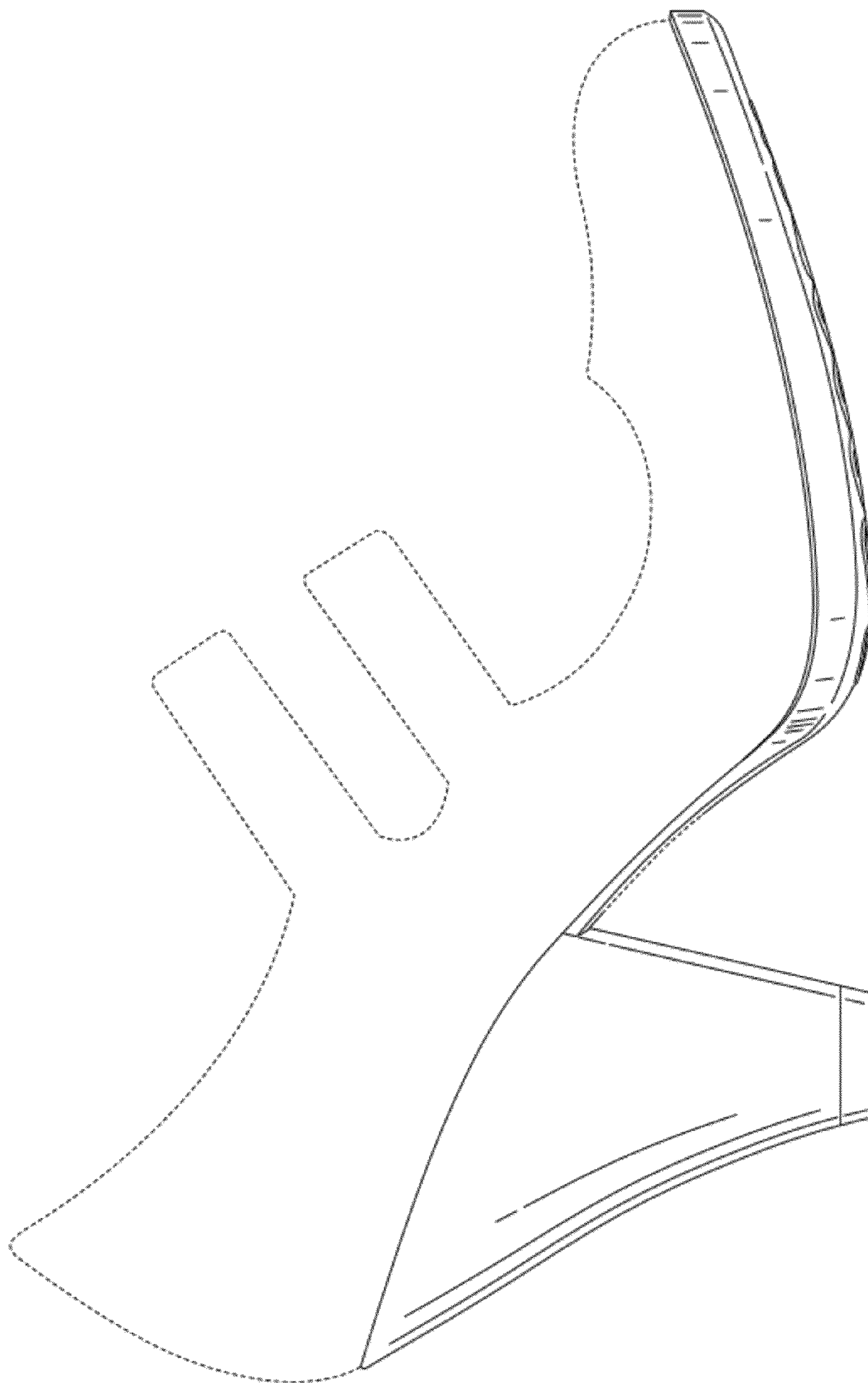


FIG. 5

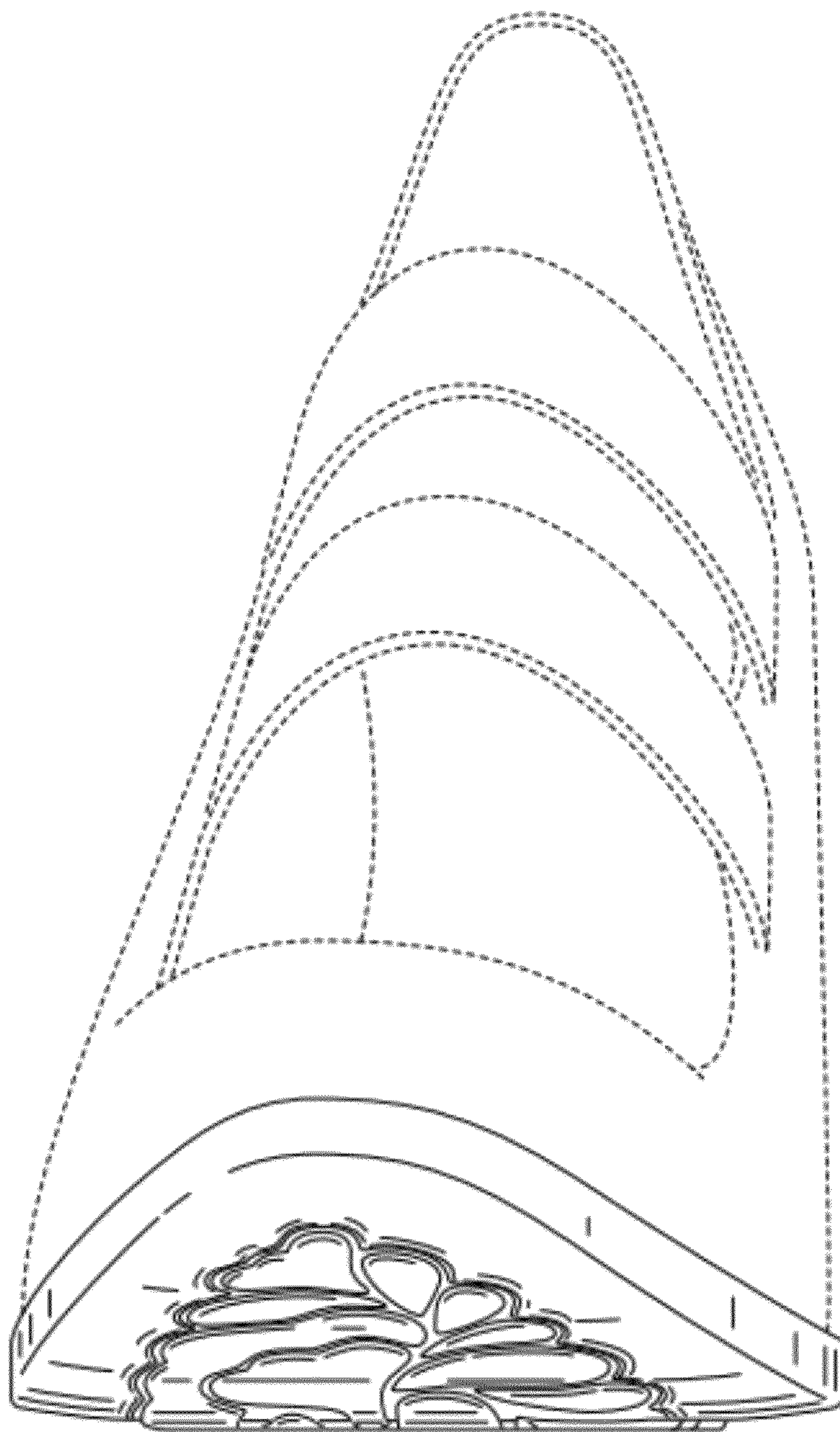


FIG. 6

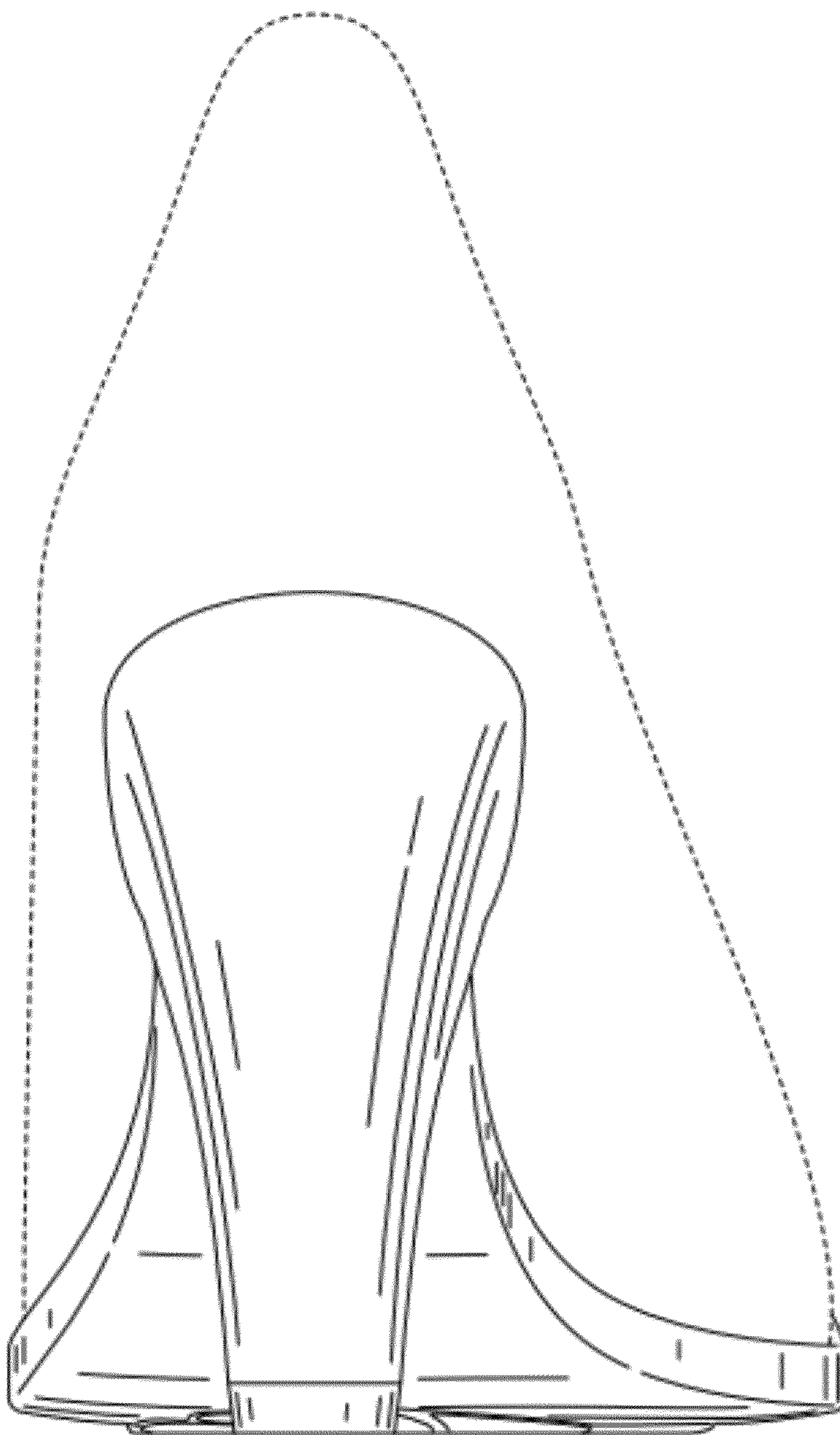


FIG. 7