

US00D664331S

(12) **United States Design Patent**
Weis

(10) **Patent No.:** **US D664,331 S**

(45) **Date of Patent:** **** Jul. 31, 2012**

(54) **SPIKED FOOTWEAR**

(76) Inventor: **Kathryn Weis**, Danbury, WI (US)

(**) Term: **14 Years**

(21) Appl. No.: **29/383,744**

(22) Filed: **Jan. 21, 2011**

(51) **LOC (9) Cl.** **02-04**

(52) **U.S. Cl.** **D2/906**

(58) **Field of Classification Search** D2/896,
D2/902, 904–912, 916, 917, 918, 919, 923,
D2/925, 929, 930, 935, 939, 943, 946, 947,
D2/951, 954, 955, 956, 962, 963, 969, 972,
D2/973, 974, 978; 36/83, 113, 114, 115,
36/116, 126–130, 132, 133, 134, 135, 136,
36/3 A, 7.7, 7.3, 7.5, 7.6, 11.5, 4, 45, 77 R,
36/77 M, 59 R, 61, 62, 64, 65, 66, 67 A,
36/67 B, 67 C, 67 D, 59 A, 59 B, 59 C, 59 D,
36/72 R, 72 A, 74, 75 R

See application file for complete search history.

6,154,982 A	12/2000	Bell	
6,161,315 A *	12/2000	Dalton	36/134
6,223,456 B1 *	5/2001	Hawkins	36/113
6,742,286 B2	6/2004	Giovale	
6,766,597 B1	7/2004	Perrod et al.	
D493,953 S *	8/2004	Chang	D2/962
D502,798 S *	3/2005	Belley et al.	D2/969
7,089,688 B2	8/2006	Giovale	
D532,962 S *	12/2006	Teteriatnikov	D2/971
D538,022 S *	3/2007	Belley et al.	D2/969
D571,094 S *	6/2008	Wolf	D2/971
D576,782 S *	9/2008	Teteriatnikov	D2/969
D631,644 S *	2/2011	Simms	D2/906
D651,386 S *	1/2012	Wilken et al.	D2/962
D654,667 S *	2/2012	Jennings	D2/906

* cited by examiner

Primary Examiner — Elizabeth J Oswecki

(74) *Attorney, Agent, or Firm* — Dale J. Ream

(57) **CLAIM**

The ornamental design for a spiked footwear, as shown and described.

DESCRIPTION

FIG. 1 is a perspective view of a spiked footwear showing my new design;

FIG. 2 is a right side view thereof;

FIG. 3 is a left side view thereof;

FIG. 4 is a front view thereof;

FIG. 5 is a back view thereof;

FIG. 6 is a top view thereof; and,

FIG. 7 is a bottom view thereof.

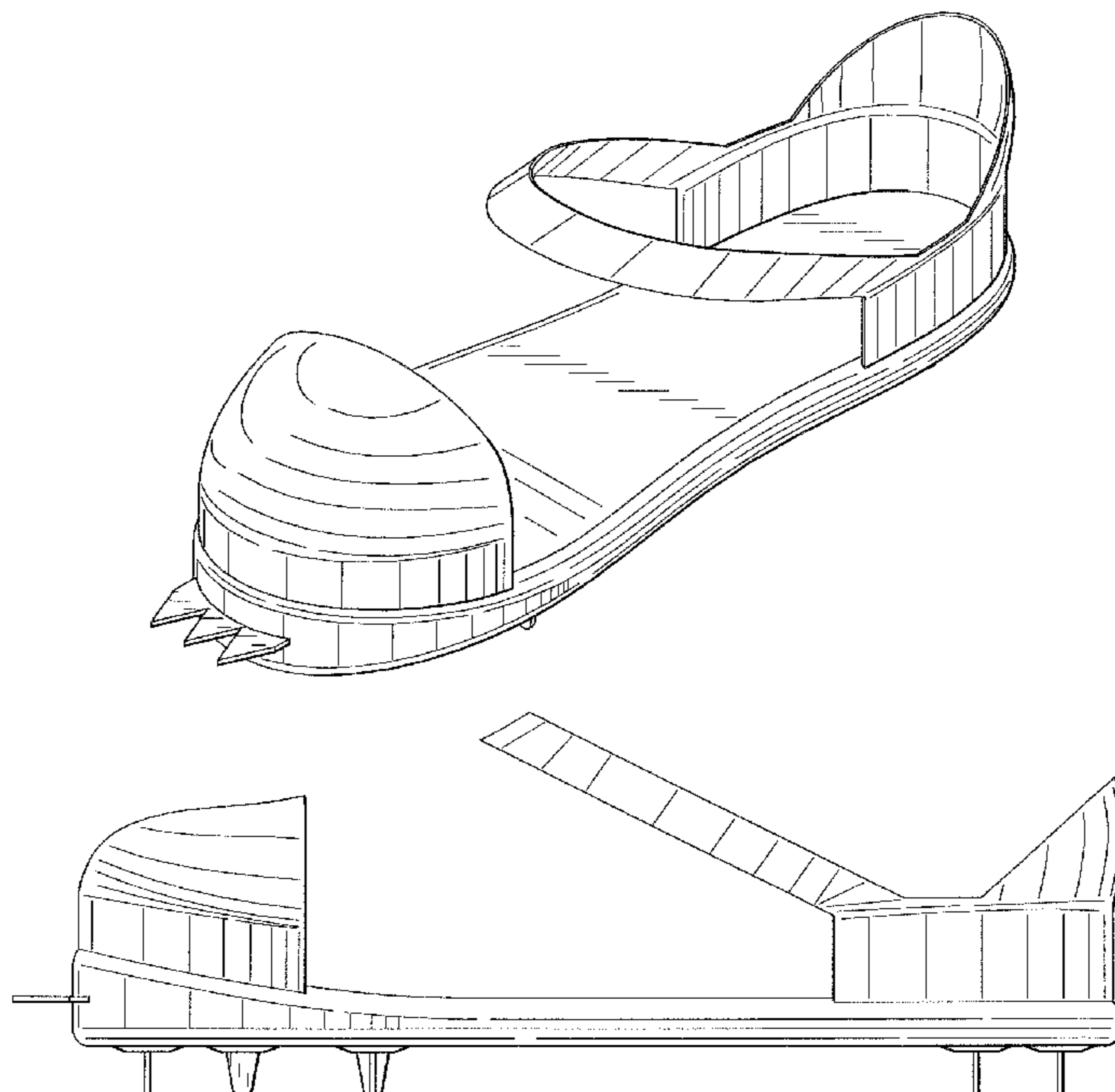
The broken lines in the drawing view of FIG. 7 represent portions of the spiked footwear that form no part of the claimed design.

1 Claim, 4 Drawing Sheets

(56) **References Cited**

U.S. PATENT DOCUMENTS

D85,954 S *	1/1932	Noble	D2/903
D250,857 S *	1/1979	Procter et al.	D2/906
4,338,733 A	7/1982	Frechin	
4,693,022 A	9/1987	Terhune	
4,885,851 A *	12/1989	Peterson	36/127
4,910,883 A	3/1990	Zock, Jr.	
5,042,778 A	8/1991	Szazy	
D335,947 S *	6/1993	Shelley	D2/906
5,359,789 A	11/1994	Bell	
D366,755 S *	2/1996	Abbey	D2/962
D368,157 S *	3/1996	Erickson	D2/962
D393,537 S *	4/1998	Johnson	D2/906
5,950,334 A	9/1999	Gerhardt	



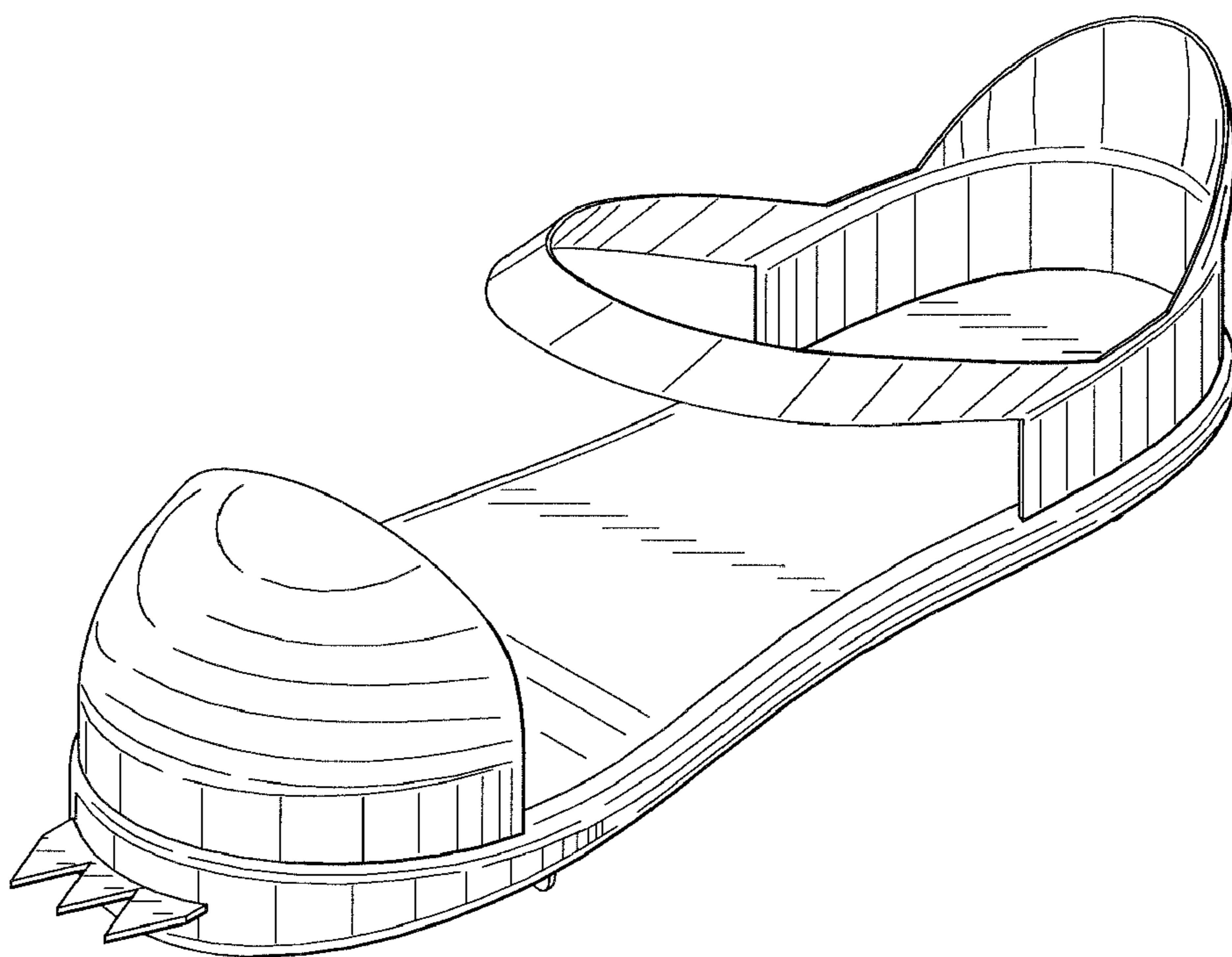


Fig. 1

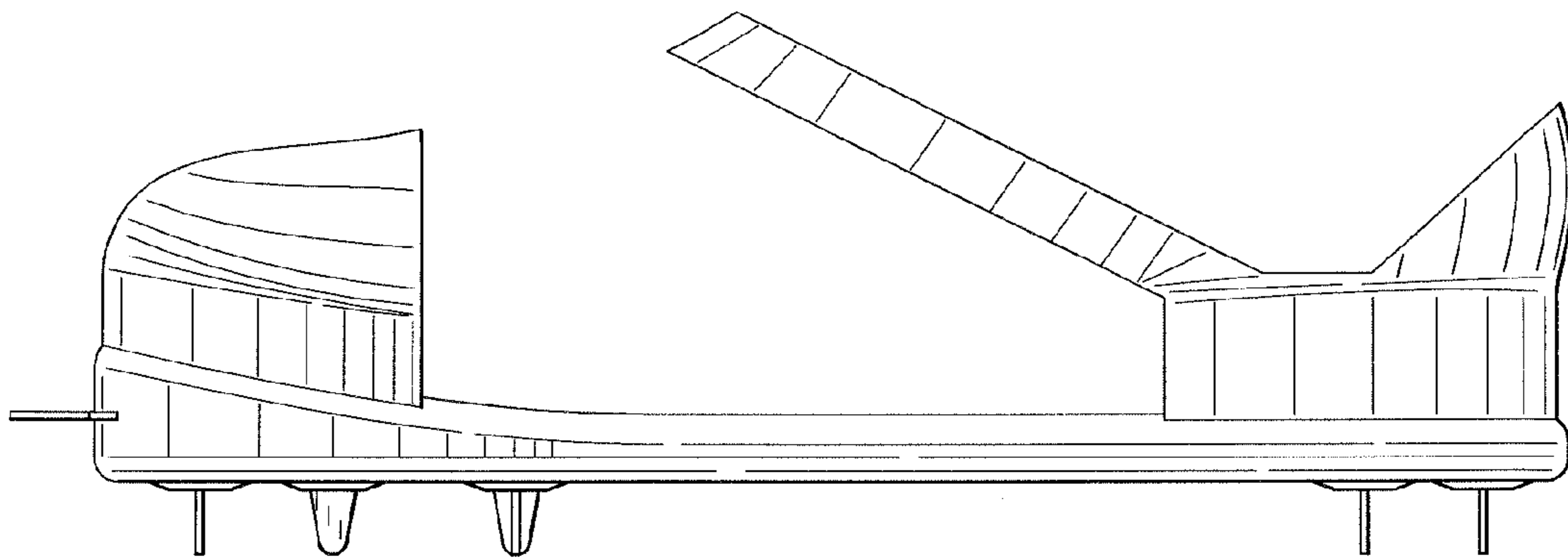


Fig. 2

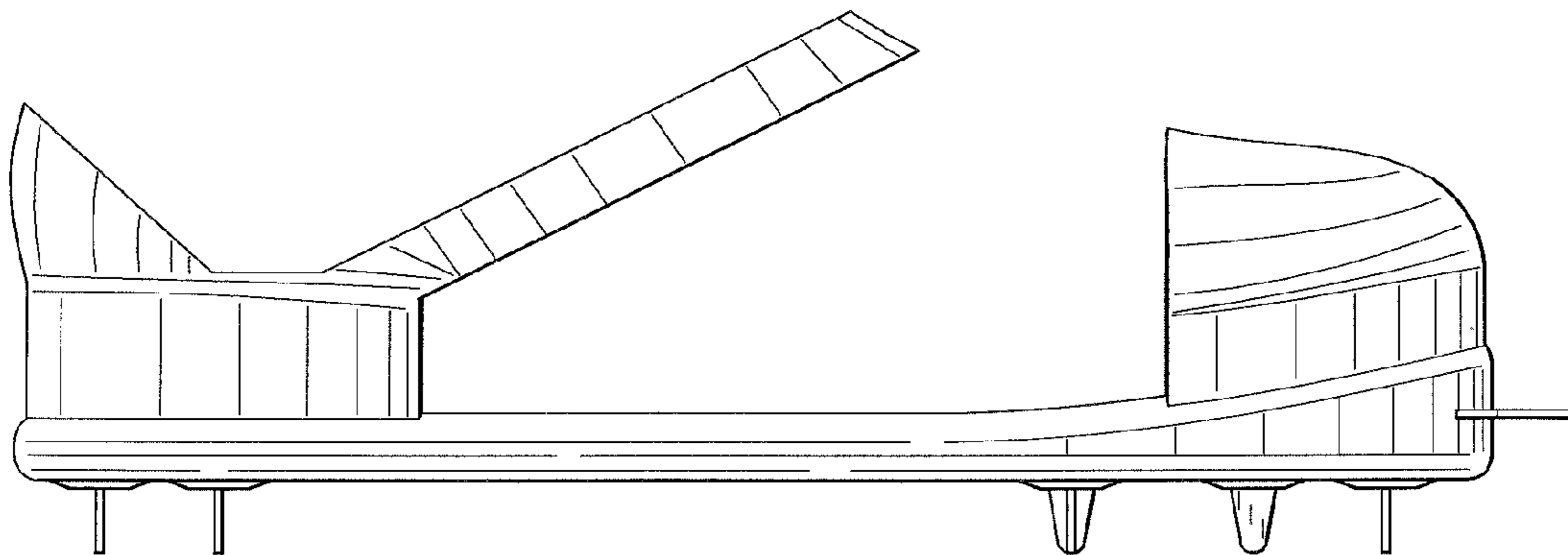


Fig. 3

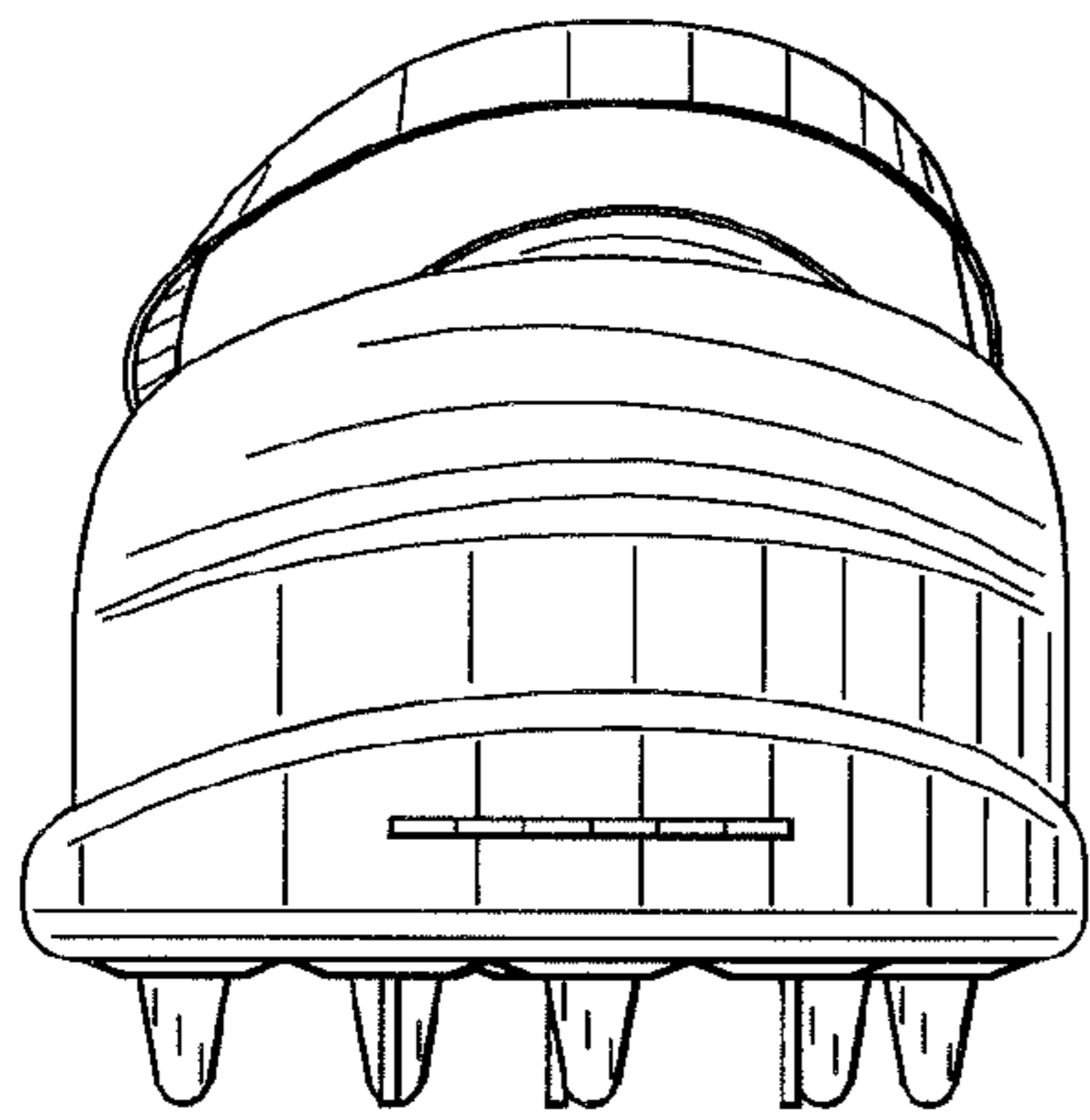


Fig. 4

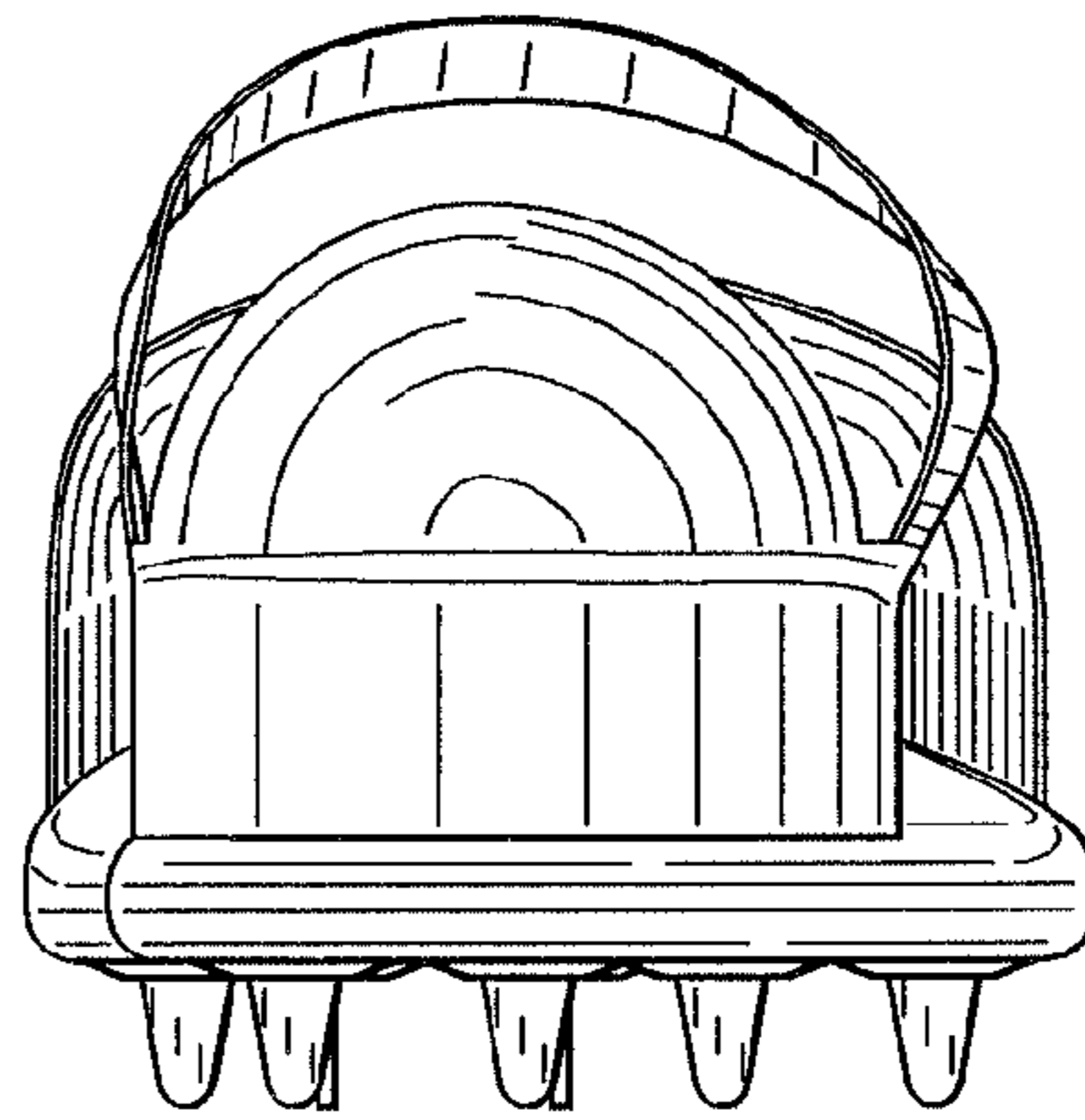


Fig. 5

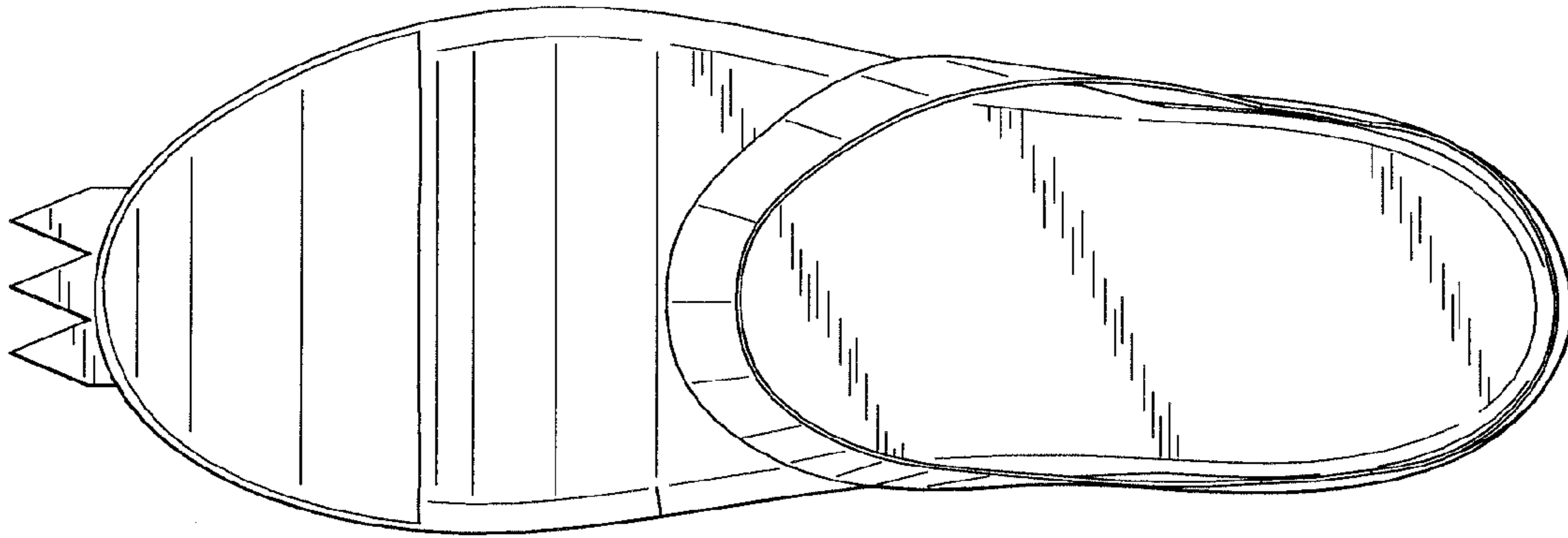


Fig. 6

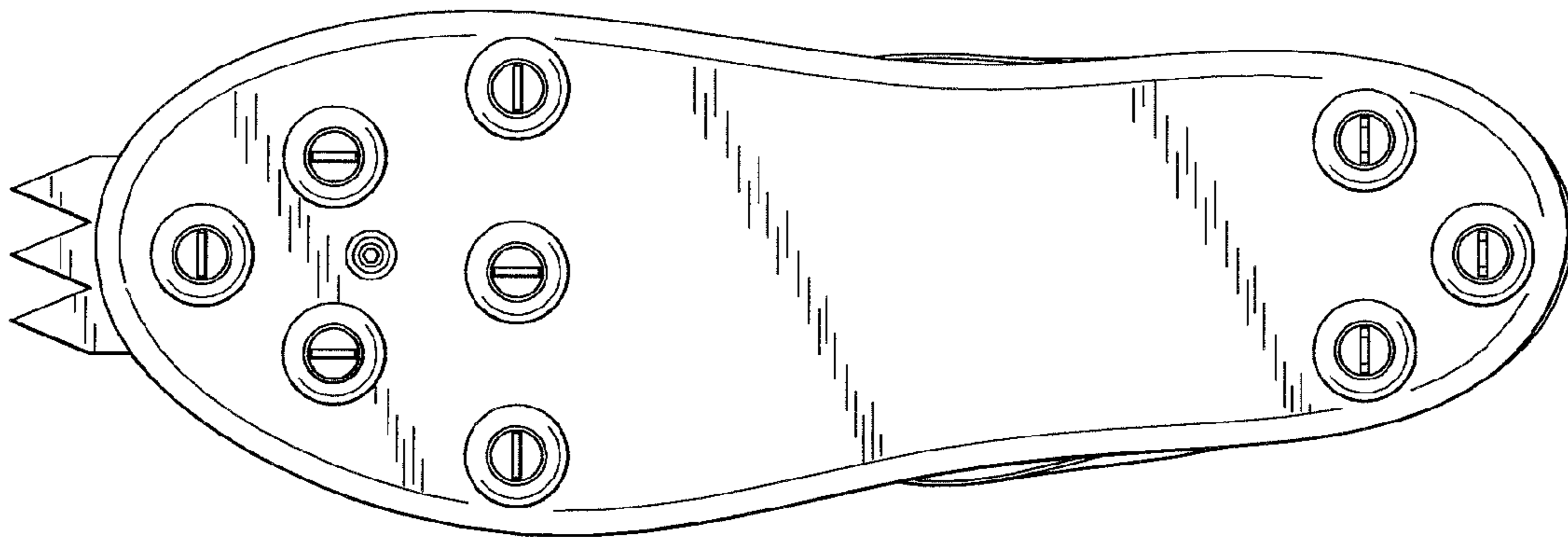


Fig. 7