



US00D664325S

(12) **United States Design Patent**  
**Hunt et al.**

(10) **Patent No.:** **US D664,325 S**  
(45) **Date of Patent:** **\*\* Jul. 24, 2012**

(54) **SAFE DOOR**

(75) Inventors: **Paul Richard Hunt**, Lake Zurich, IL (US); **Mark S. Coulter**, Wauconda, IL (US)

(73) Assignee: **Stack-On Products Company**, Wauconda, IL (US)

(\*\*) Term: **14 Years**

(21) Appl. No.: **29/383,008**

(22) Filed: **Jan. 11, 2011**

(51) **LOC (9) Cl.** ..... **99-00**

(52) **U.S. Cl.** ..... **D99/43**

(58) **Field of Classification Search** ..... D99/28, D99/34, 35, 36, 43, 99; 109/44, 1 V, 2, 45, 109/1 R, 58, 59 R, 60; 902/9, 30; 312/297, 312/298, 302, 303, 304, 305, 400, 409; 217/47, 217/69

See application file for complete search history.

(56) **References Cited**

**U.S. PATENT DOCUMENTS**

D103,629 S *	3/1937	Davis	.....	D99/28
2,088,459 A *	7/1937	Bennett et al.	.....	70/77
D118,366 S *	1/1940	Davis	.....	D99/28
D273,052 S *	3/1984	Snodgrass	.....	D99/28
D380,793 S *	7/1997	Conwell	.....	D21/519
D485,042 S *	1/2004	Paris et al.	.....	D99/28
D485,419 S *	1/2004	Paris et al.	.....	D99/43
D485,960 S *	1/2004	Paris et al.	.....	D99/43
D487,179 S *	2/2004	Traversie et al.	.....	D99/28

D493,270 S *	7/2004	Lynch et al.	.....	D99/43
D495,114 S *	8/2004	Washington et al.	.....	D99/43
D495,115 S *	8/2004	Washington et al.	.....	D99/43
D495,850 S *	9/2004	Washington et al.	.....	D99/43
D498,895 S *	11/2004	Lynch et al.	.....	D99/28
D557,875 S *	12/2007	Stuhlberg et al.	.....	D99/28
D619,775 S *	7/2010	Pendleton	.....	D99/28
D620,675 S *	7/2010	Doettling	.....	D99/28
D623,824 S *	9/2010	Pendleton	.....	D99/28
D624,275 S *	9/2010	Min	.....	D99/28
D645,224 S *	9/2011	Hunt et al.	.....	D99/43
D645,225 S *	9/2011	Hunt et al.	.....	D99/43
D654,655 S *	2/2012	Hunt et al.	.....	D99/43

\* cited by examiner

*Primary Examiner* — Elizabeth J Oswecki

(74) *Attorney, Agent, or Firm* — Seyfarth Shaw LLP

(57) **CLAIM**

The ornamental design for a safe door, as shown and described.

**DESCRIPTION**

FIG. 1 is an exploded, perspective view of a safe door showing our new design;

FIG. 2 is a perspective view thereof;

FIG. 3 is an exploded, perspective view thereof;

FIG. 4 is a top view thereof;

FIG. 5 is a left side view thereof;

FIG. 6 is a front view thereof;

FIG. 7 is a right side view thereof; and,

FIG. 8 is a bottom view thereof.

The broken lines illustrate environmental structure which forms no part of the claimed design.

**1 Claim, 8 Drawing Sheets**

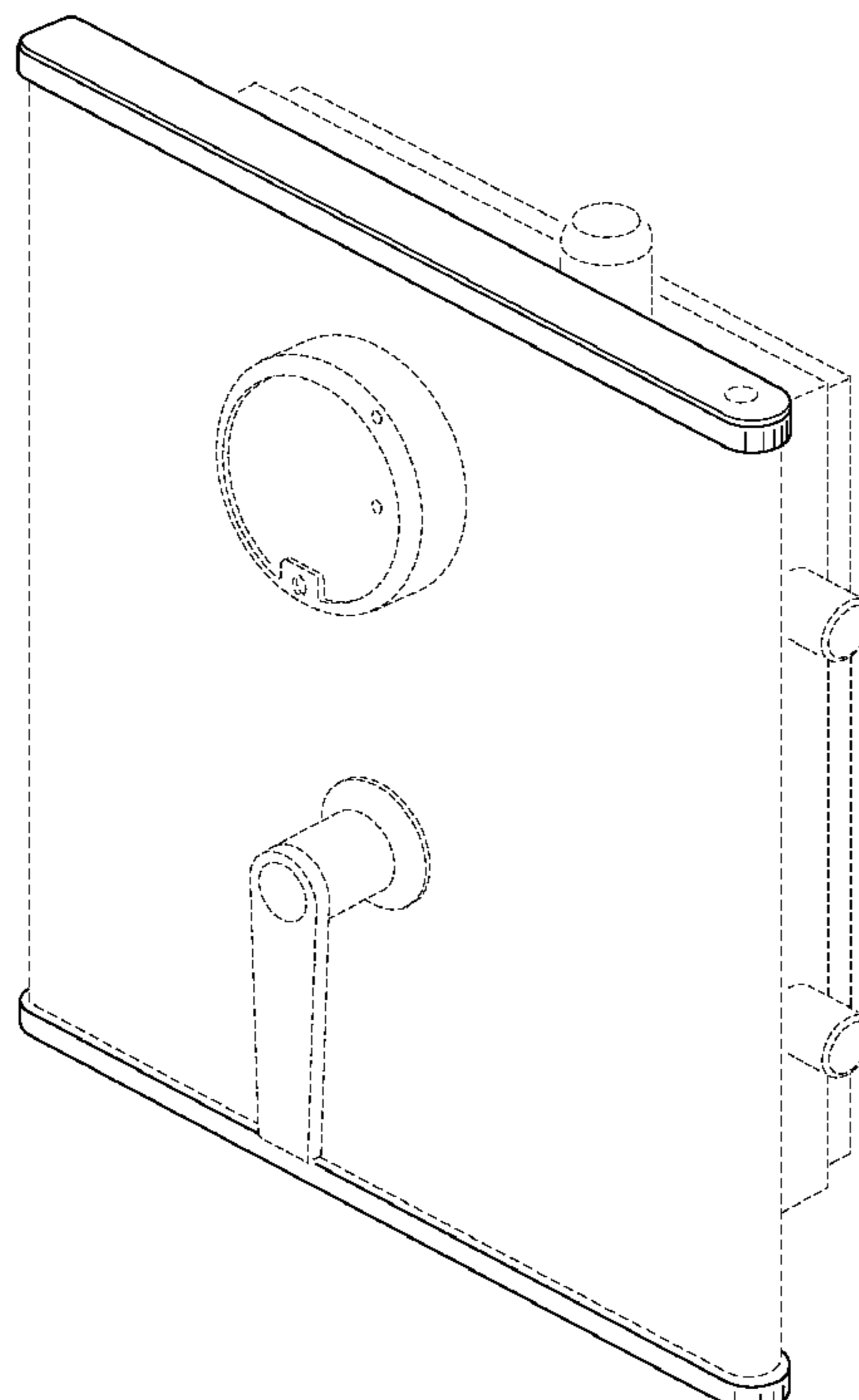


Fig. 1

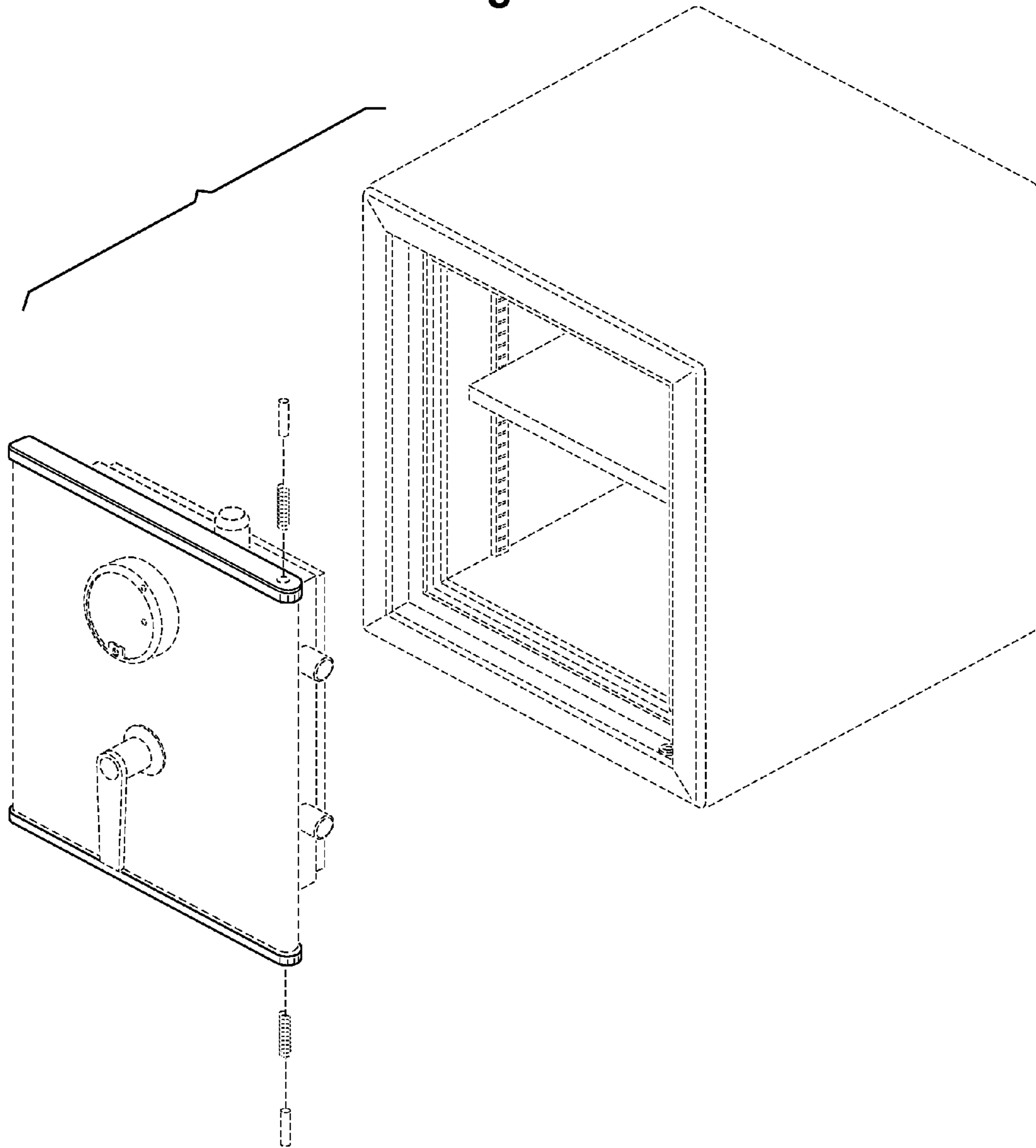


Fig. 2

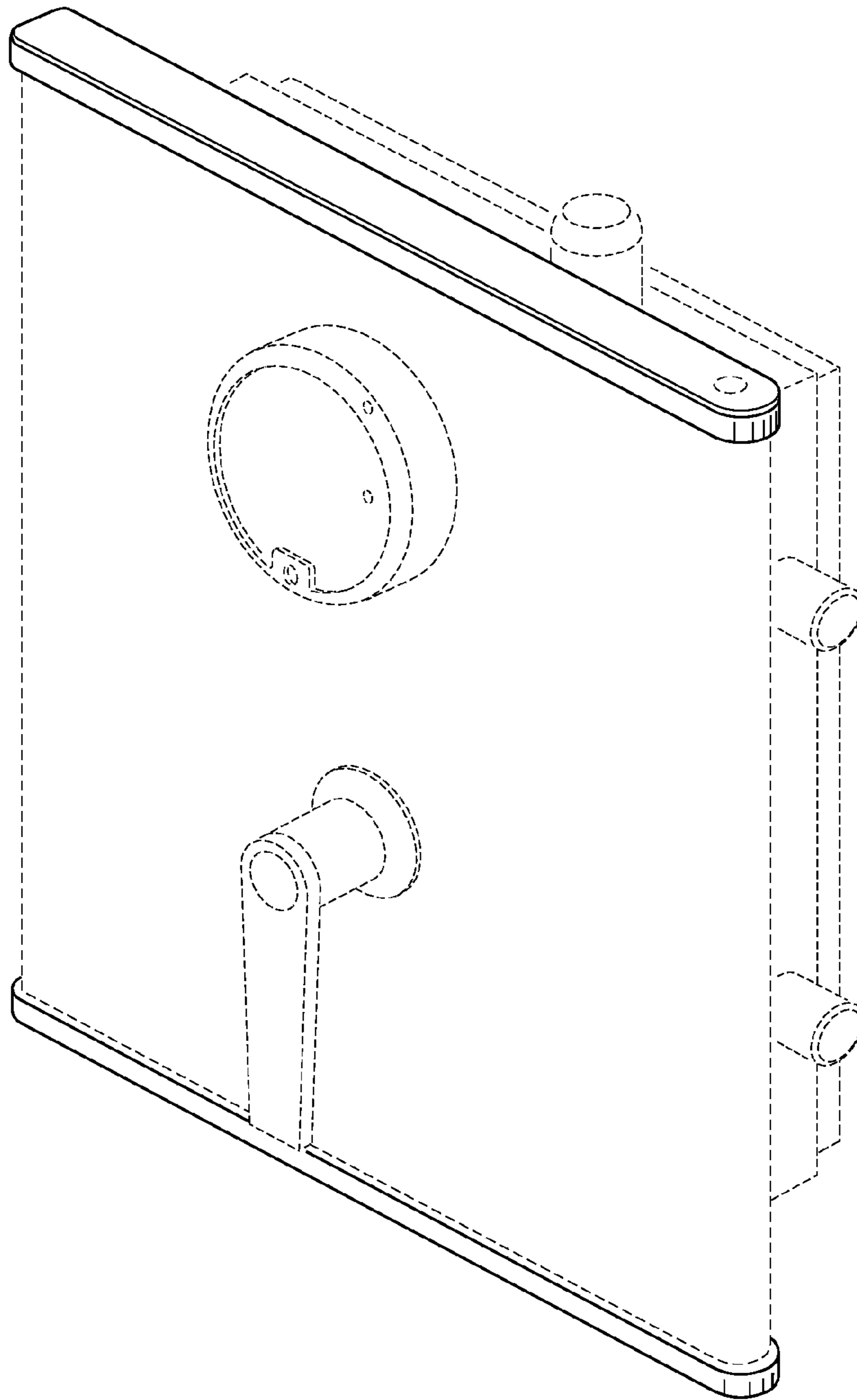


Fig. 3

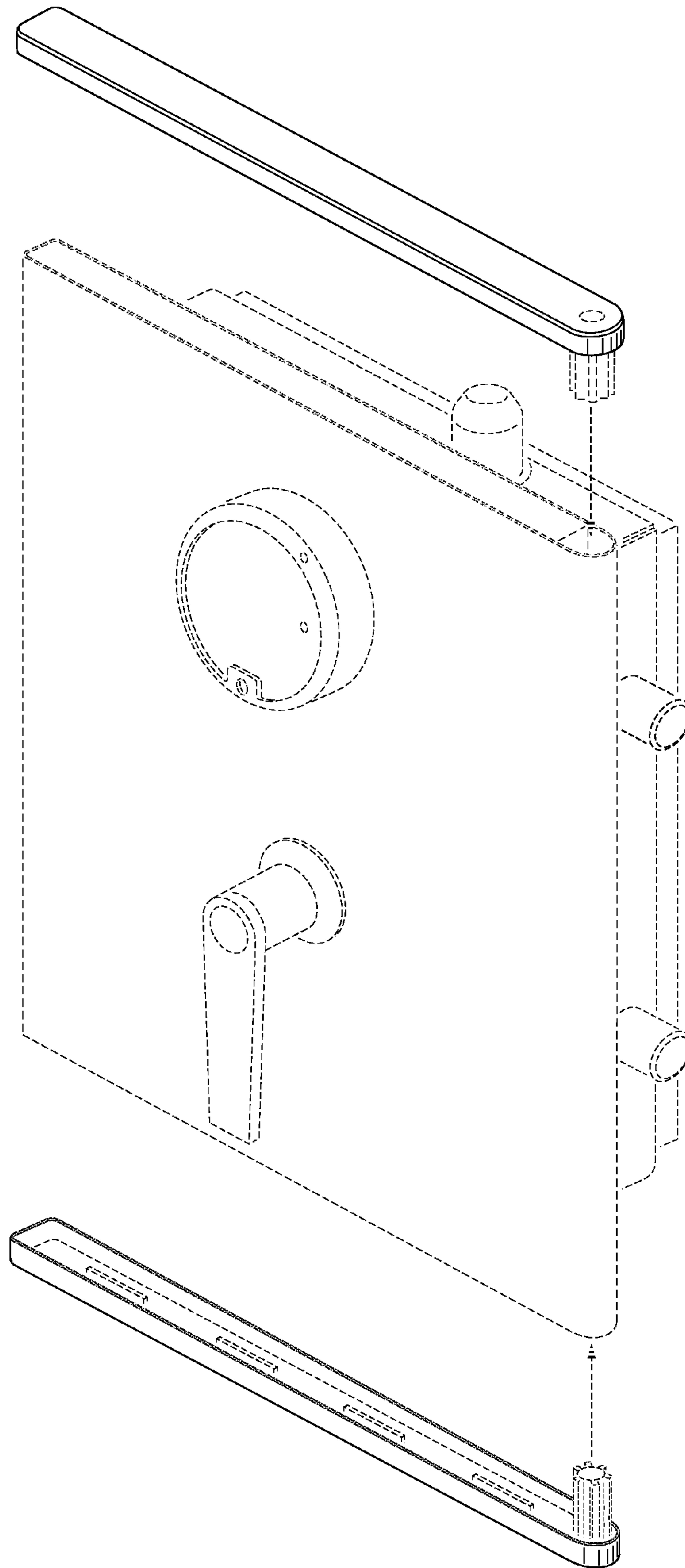


Fig. 4

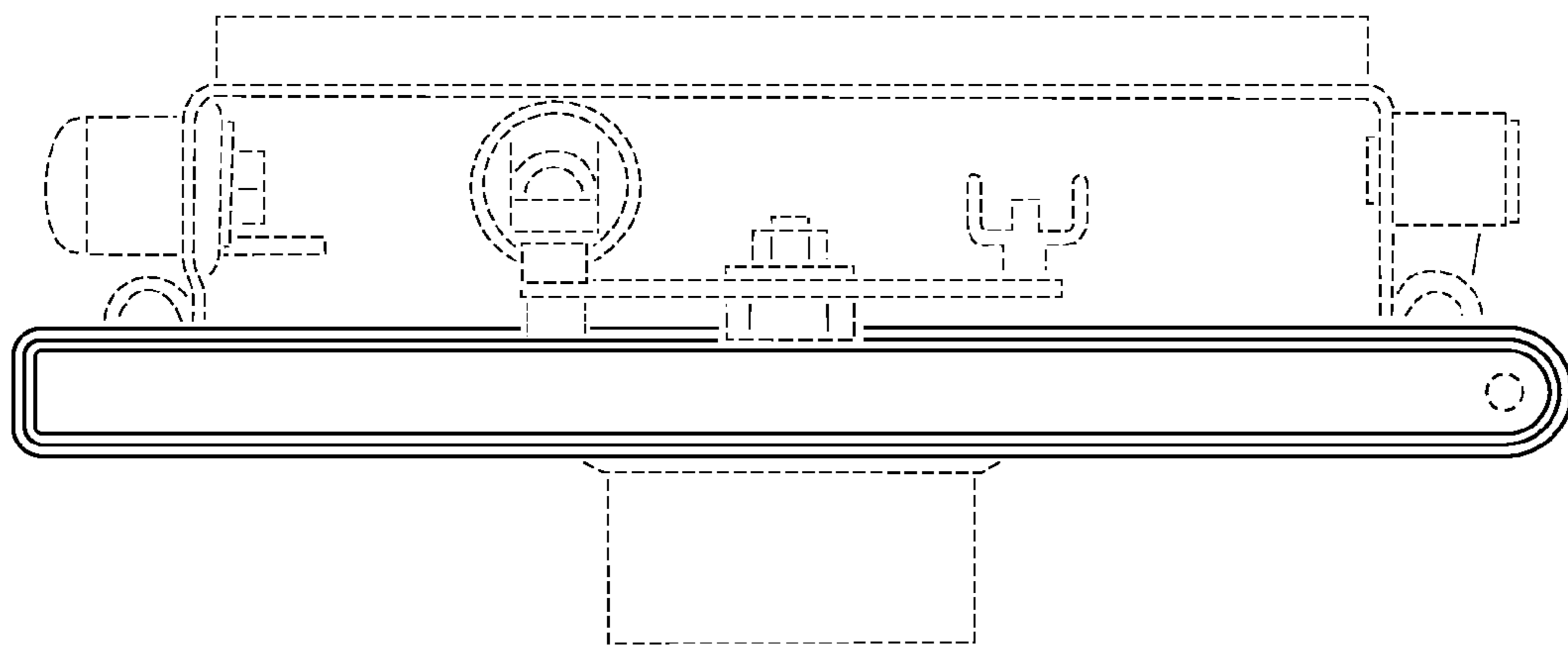


Fig. 5

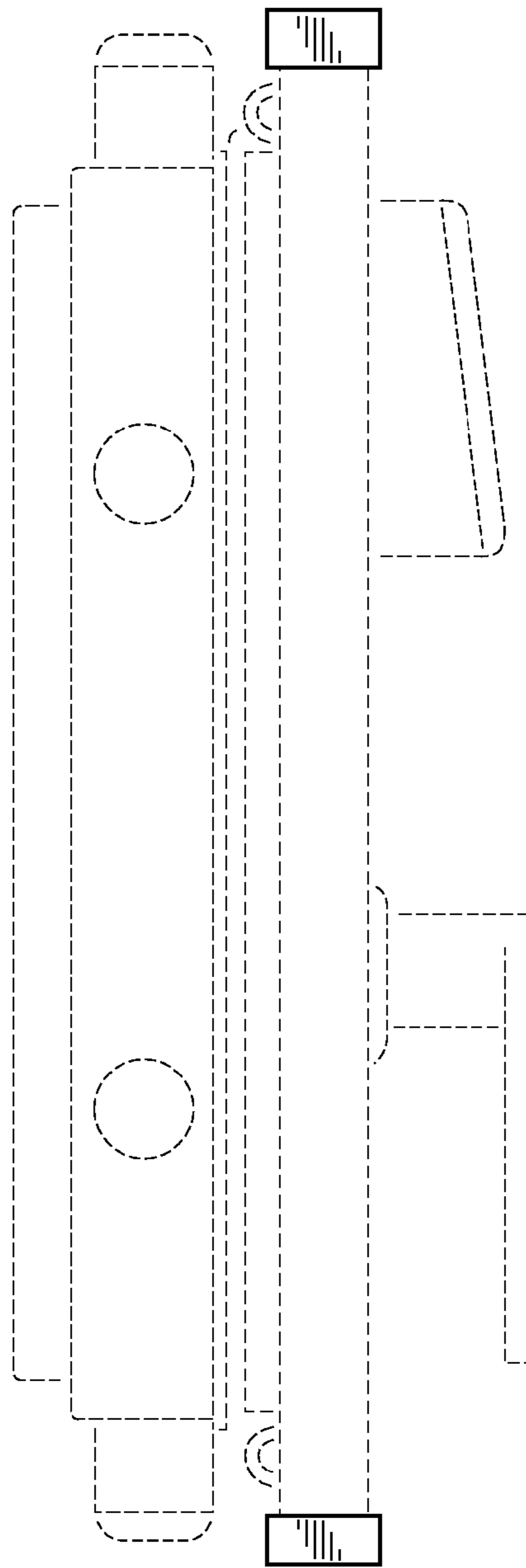


Fig. 6

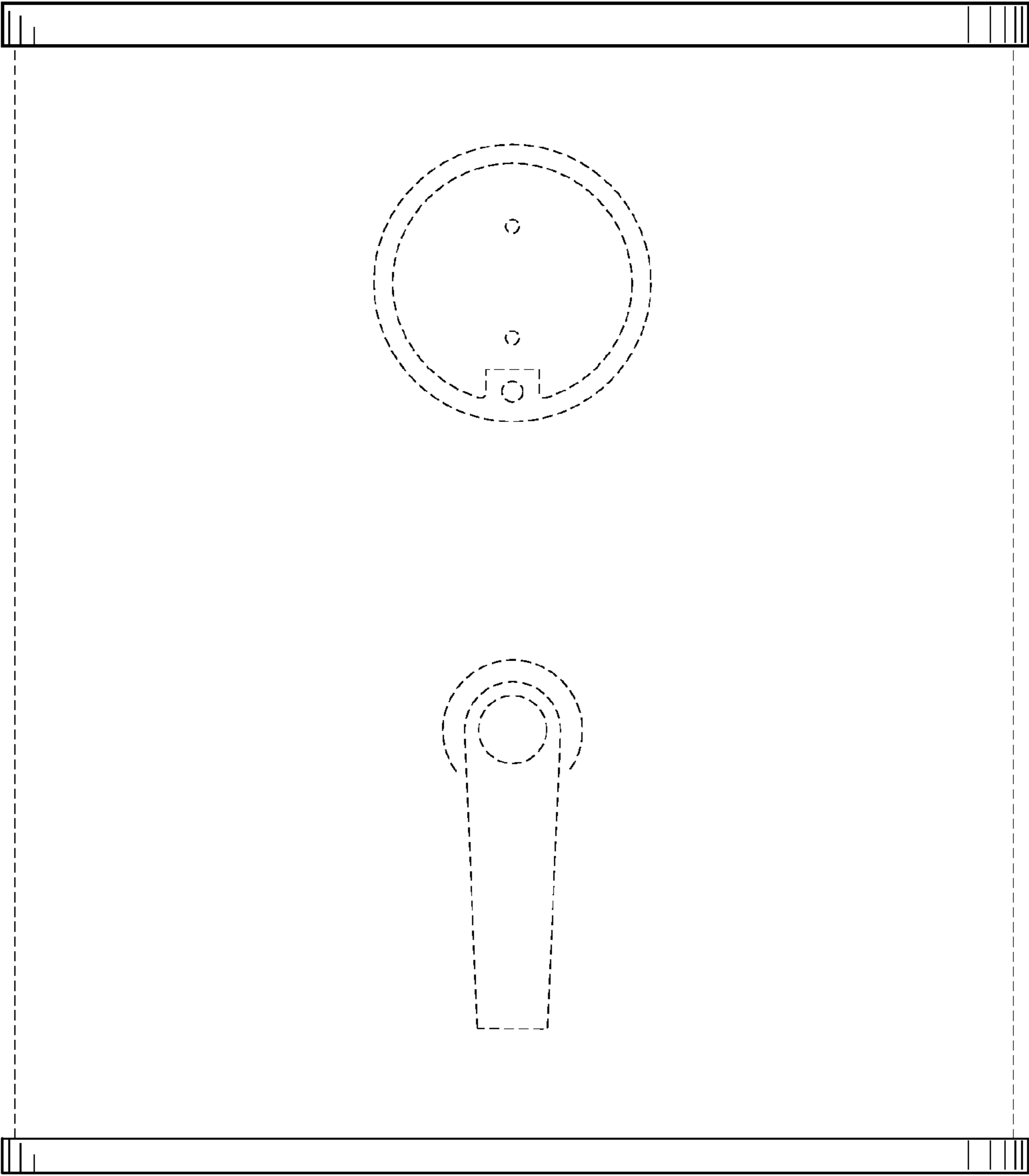


Fig. 7

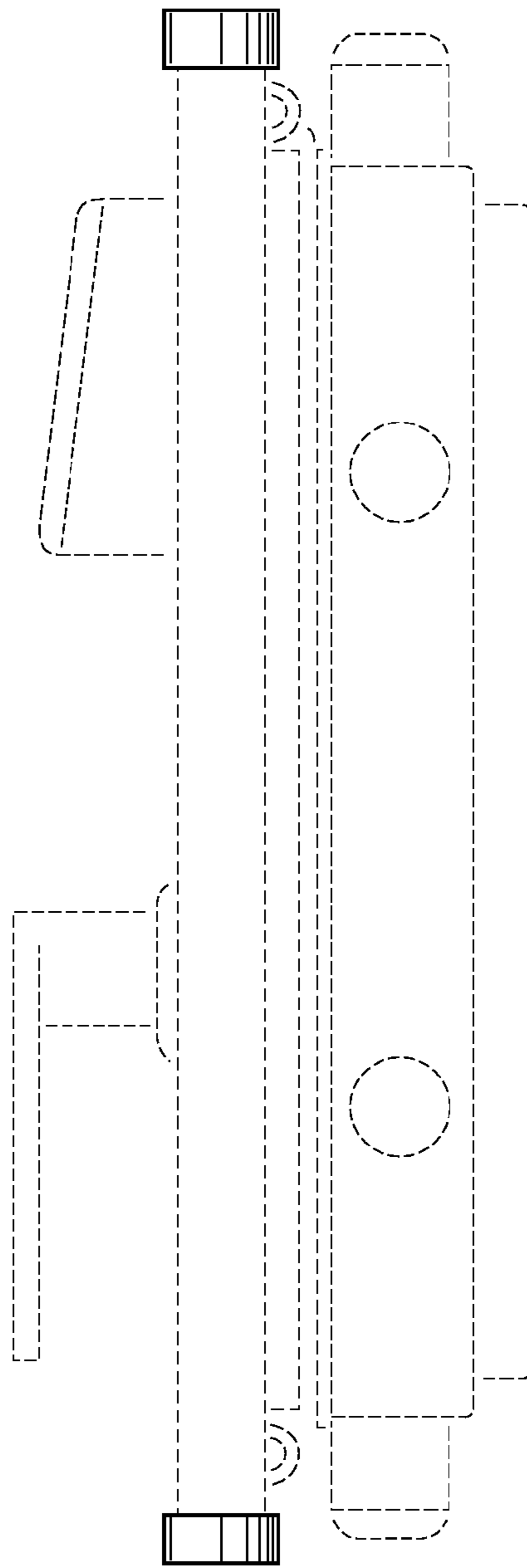




Fig. 8

