

US00D664324S

(12) **United States Design Patent**  
**Finley**

(10) **Patent No.:** **US D664,324 S**  
(45) **Date of Patent:** **\*\* Jul. 24, 2012**

(54) **HEADSTONE FRAME**

(75) Inventor: **Kenneth Finley**, Livermore Falls, ME (US)

(73) Assignee: **Memorial Guard LLC**, Jay, ME (US)

(\*\*) Term: **14 Years**

(21) Appl. No.: **29/399,691**

(22) Filed: **Aug. 17, 2011**

(51) **LOC (9) Cl.** ..... **99-00**

(52) **U.S. Cl.** ..... **D99/17**

(58) **Field of Classification Search** ..... D99/1,  
D99/17, 20, 8, 12; 27/1, 19, 30; 52/102,  
52/103, 104, 38; 40/124.5; 220/359.3  
See application file for complete search history.

3,378,942 A *	4/1968	Diamond et al.	40/124.5
3,490,602 A *	1/1970	Wentzel	211/133.6
D262,104 S *	12/1981	Simpson	D13/119
4,317,309 A *	3/1982	Sheldon	47/32
5,845,436 A *	12/1998	Nota	52/103
6,199,327 B1 *	3/2001	Krawczyk	52/104
D482,764 S *	11/2003	Genslak et al.	D23/293.1
D498,340 S *	11/2004	Parker et al.	D99/8
D565,272 S *	3/2008	Markas	D99/17
D608,975 S *	1/2010	Markas	D99/17

\* cited by examiner

*Primary Examiner* — Paula Greene

(74) *Attorney, Agent, or Firm* — Maine Cernota & Rardin

(57) **CLAIM**

The ornamental design for a headstone frame, as shown and described.

(56) **References Cited**

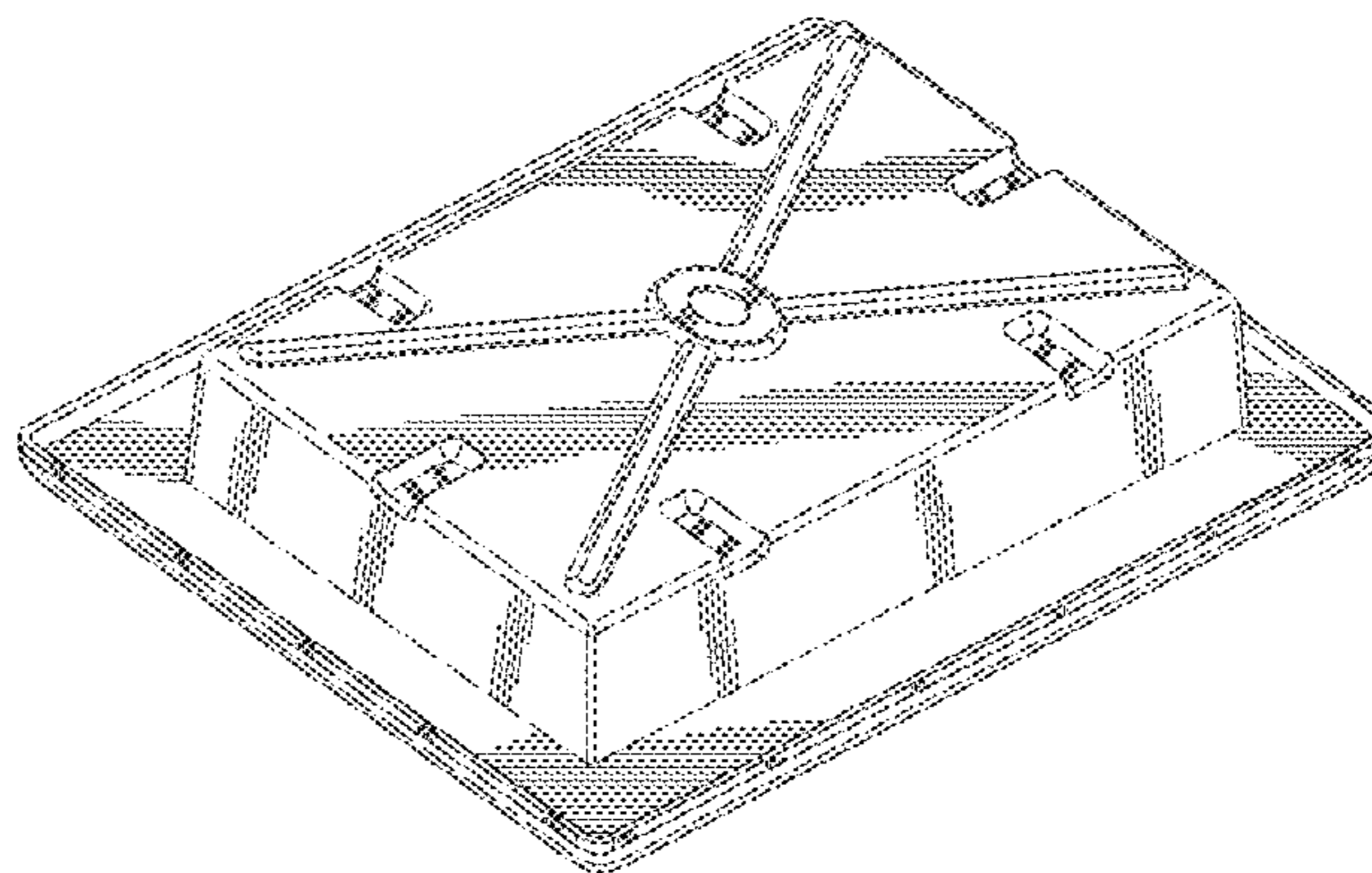
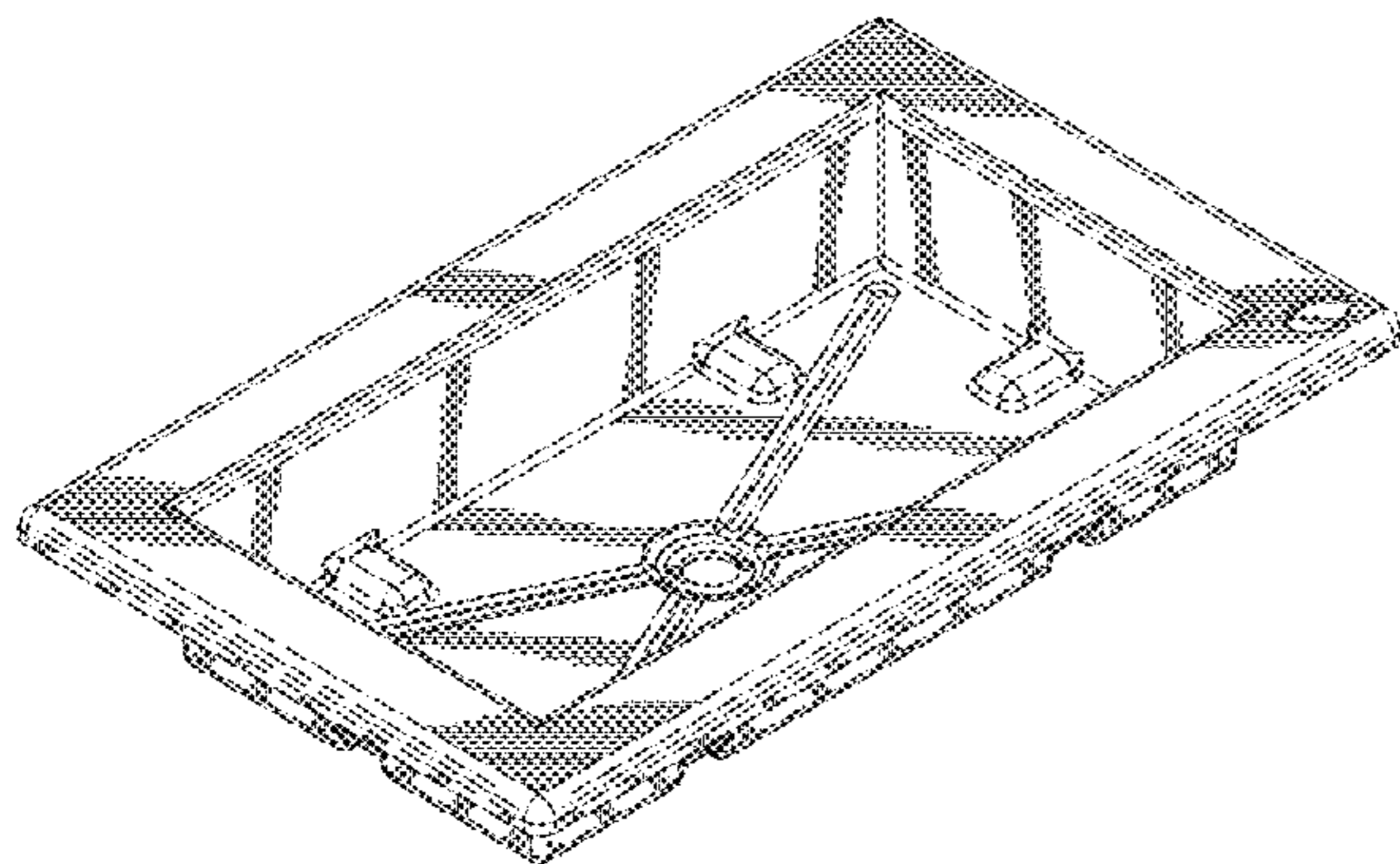
**U.S. PATENT DOCUMENTS**

528,193 A *	10/1894	Amringe	52/103
1,037,607 A *	9/1912	Floto	40/1
1,469,459 A *	10/1923	Quigley	52/103
1,773,391 A *	8/1930	Cooney	27/30
2,046,594 A *	7/1936	Walton	40/124.5
2,095,290 A *	10/1937	Roy	52/38
2,207,012 A *	7/1940	Hopkins	47/41.1
3,082,559 A *	3/1963	Davis	40/124.5

**DESCRIPTION**

FIG. 1 is a top perspective view of the headstone frame;  
FIG. 2 is a bottom perspective view thereof;  
FIG. 3 is a side elevation;  
FIG. 4 is an end elevation thereof;  
FIG. 5 is a top view thereof; and,  
FIG. 6 is a bottom view thereof.

**1 Claim, 5 Drawing Sheets**



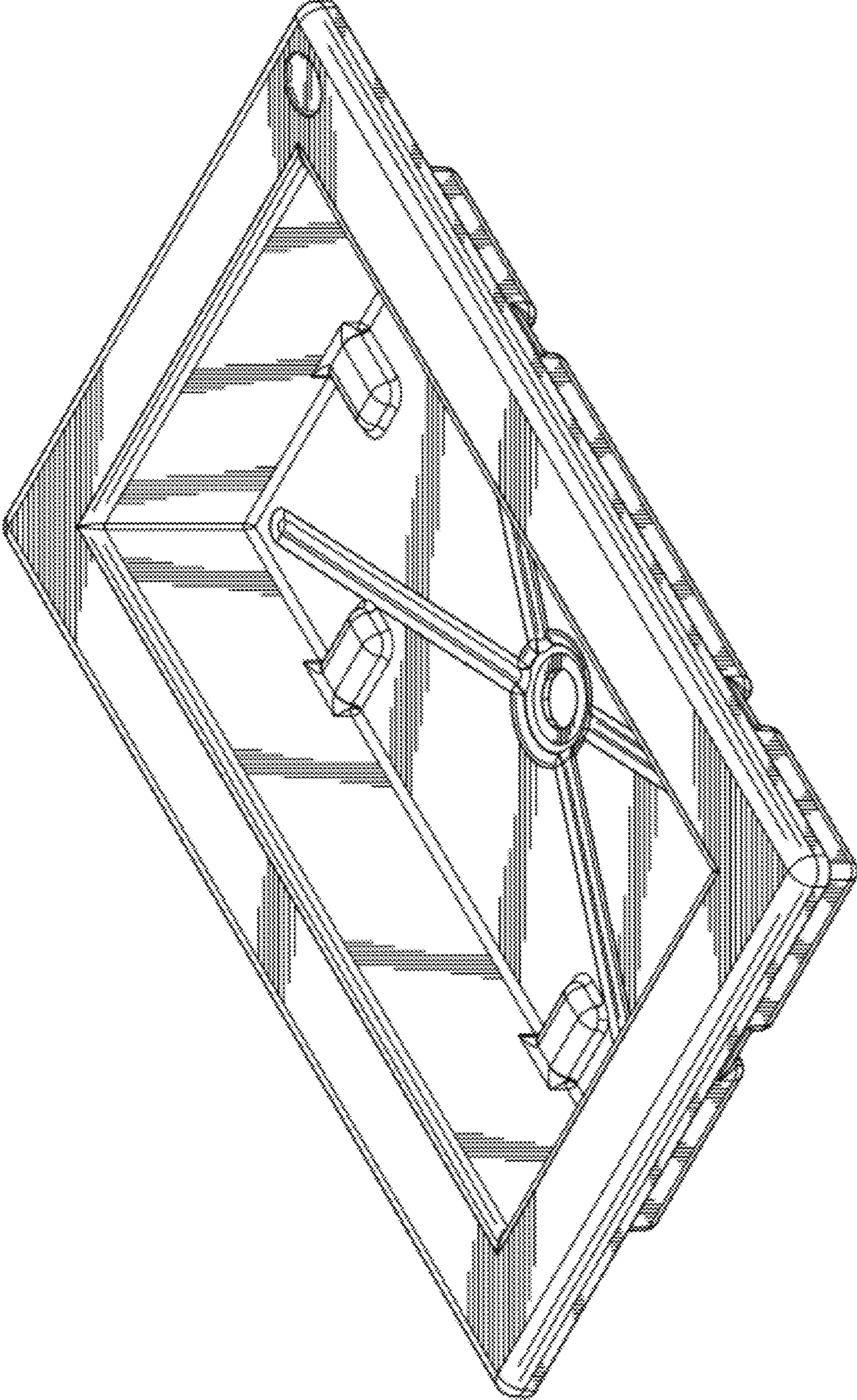


FIG. 1

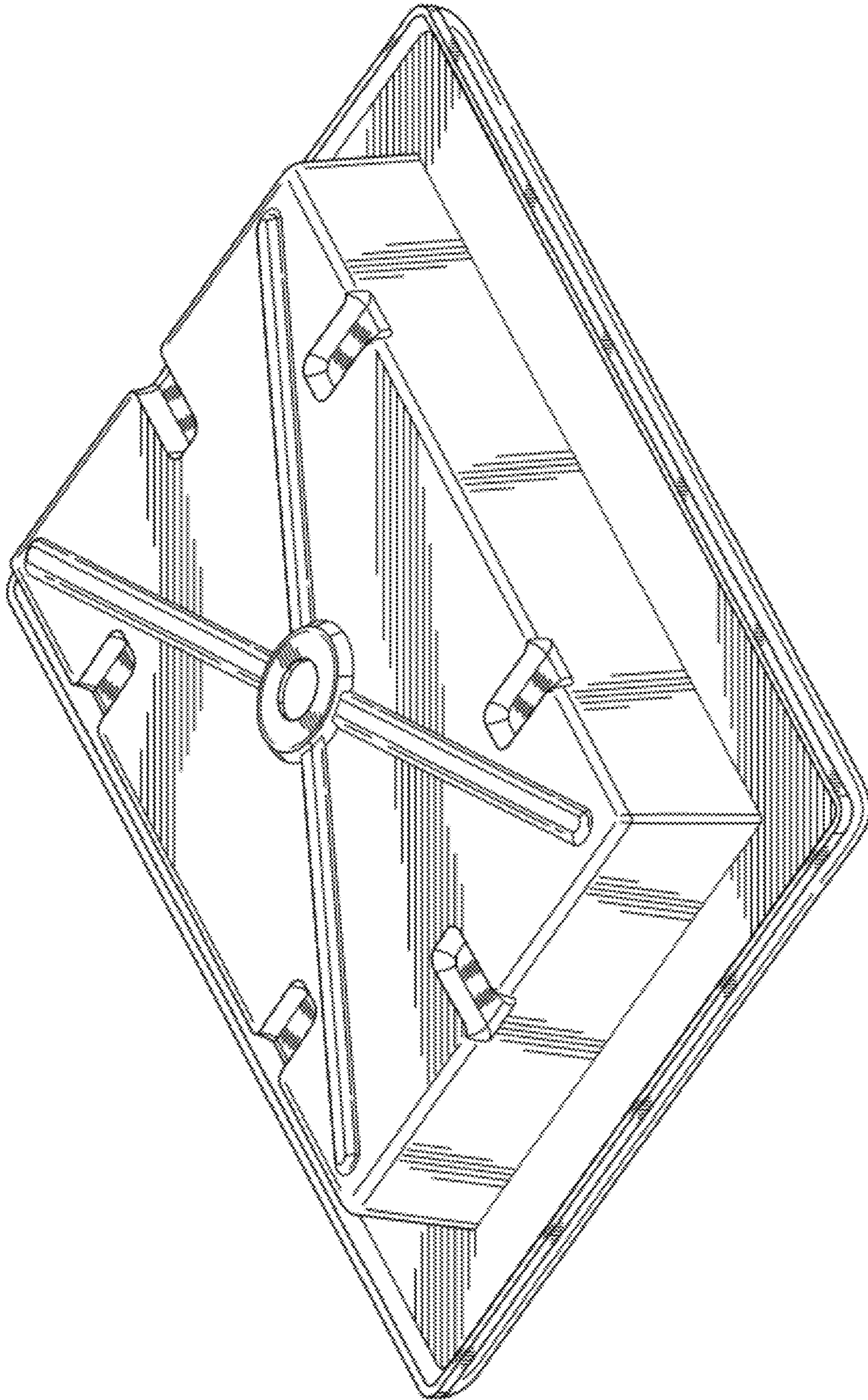


FIG. 2

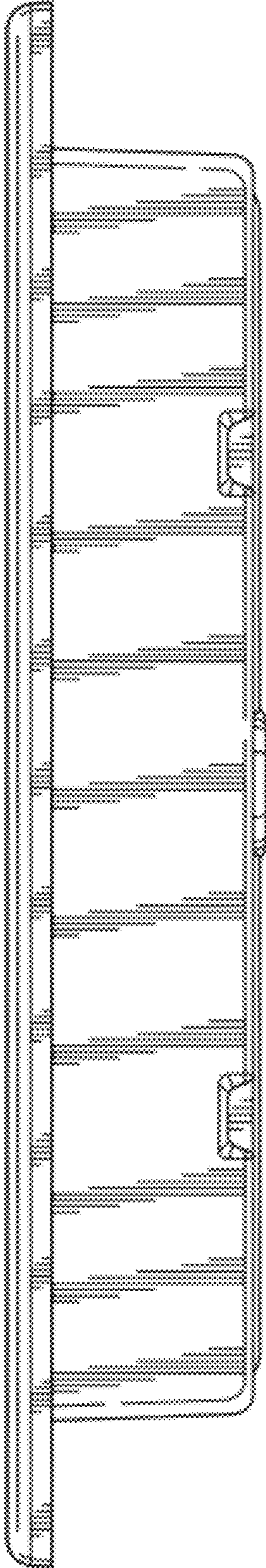


FIG. 3

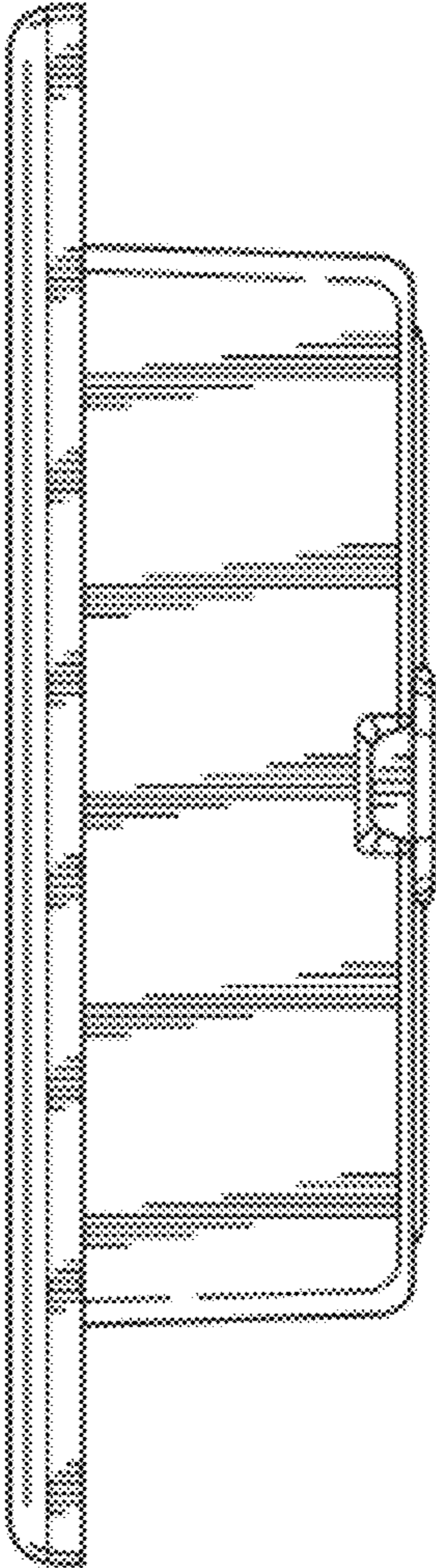


FIG. 4

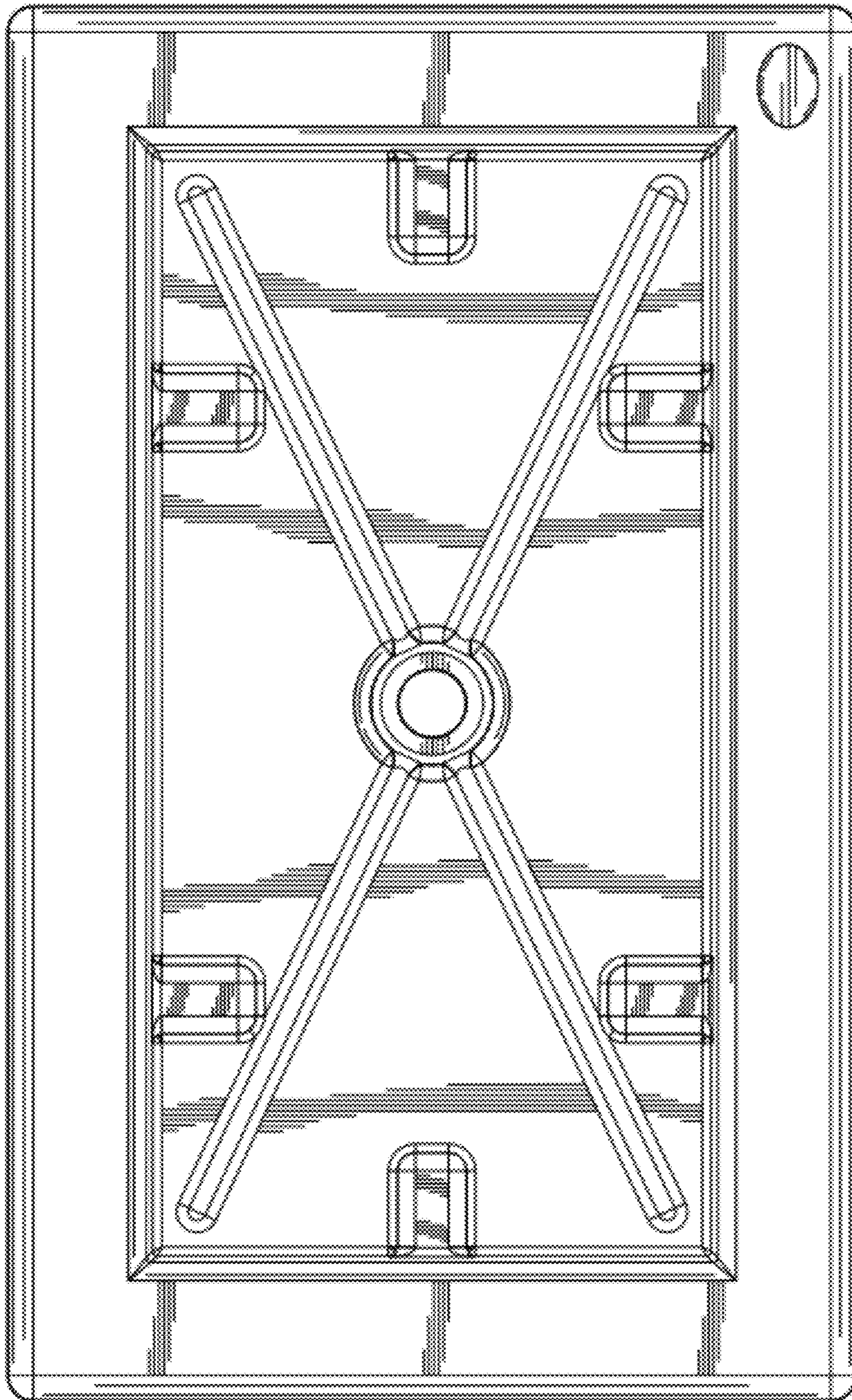


FIG. 5

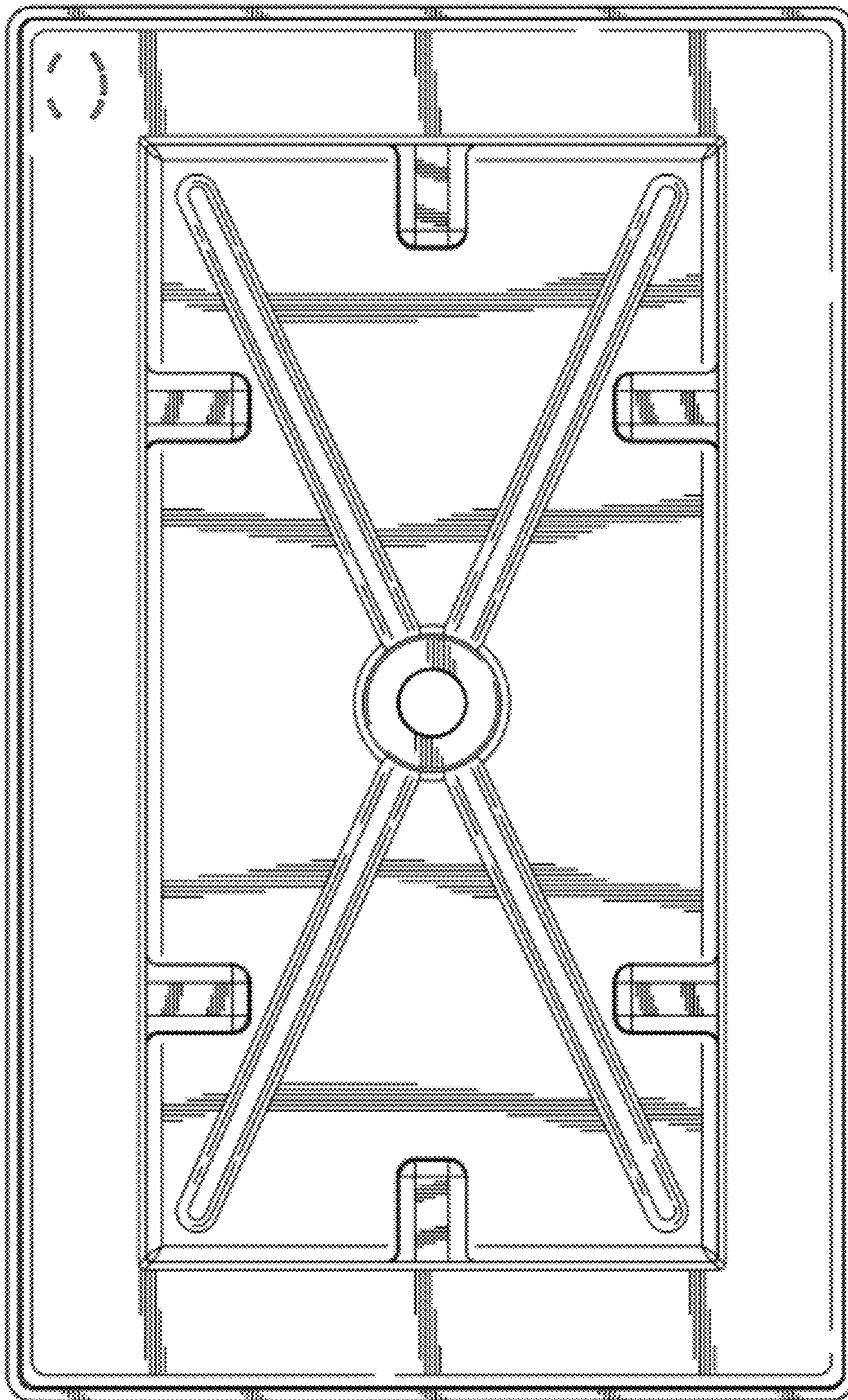


FIG. 6