

US00D664323S

(12) **United States Design Patent**
Lee et al.

(10) **Patent No.:** **US D664,323 S**
(45) **Date of Patent:** **** Jul. 24, 2012**

(54) **FORKLIFT**
(75) Inventors: **Young Jin Lee**, Gyeonggi-do (KR); **Eui Sik Kim**, Seoul (KR)
(73) Assignee: **Doosan Industrial Vehicle Co., Ltd.**, Incheon (KR)
(**) Term: **14 Years**
(21) Appl. No.: **29/393,214**
(22) Filed: **Jun. 1, 2011**
(30) **Foreign Application Priority Data**

Dec. 1, 2010 (KR) 30-2010-0051735

(51) **LOC (9) Cl.** **12-05**
(52) **U.S. Cl.** **D34/34**
(58) **Field of Classification Search** D34/34, D34/35; 187/222, 234, 226, 238; 414/631, 414/575, 592; 180/89.12, 89.13, 89.17
See application file for complete search history.

(56) **References Cited**

U.S. PATENT DOCUMENTS

D348,553 S * 7/1994 Martin, Jr. D34/37
D353,704 S * 12/1994 Bhambra D34/37

D362,099 S * 9/1995 Heiler D34/34
D449,916 S * 10/2001 Salin et al. D34/34
D535,805 S * 1/2007 Stark D34/34
D564,174 S * 3/2008 Iguchi D34/34

* cited by examiner

Primary Examiner — Cynthia Ramirez

(74) *Attorney, Agent, or Firm* — John D. Veldhuis-Krocze; Westman, Champlin & Kelly, P.A.

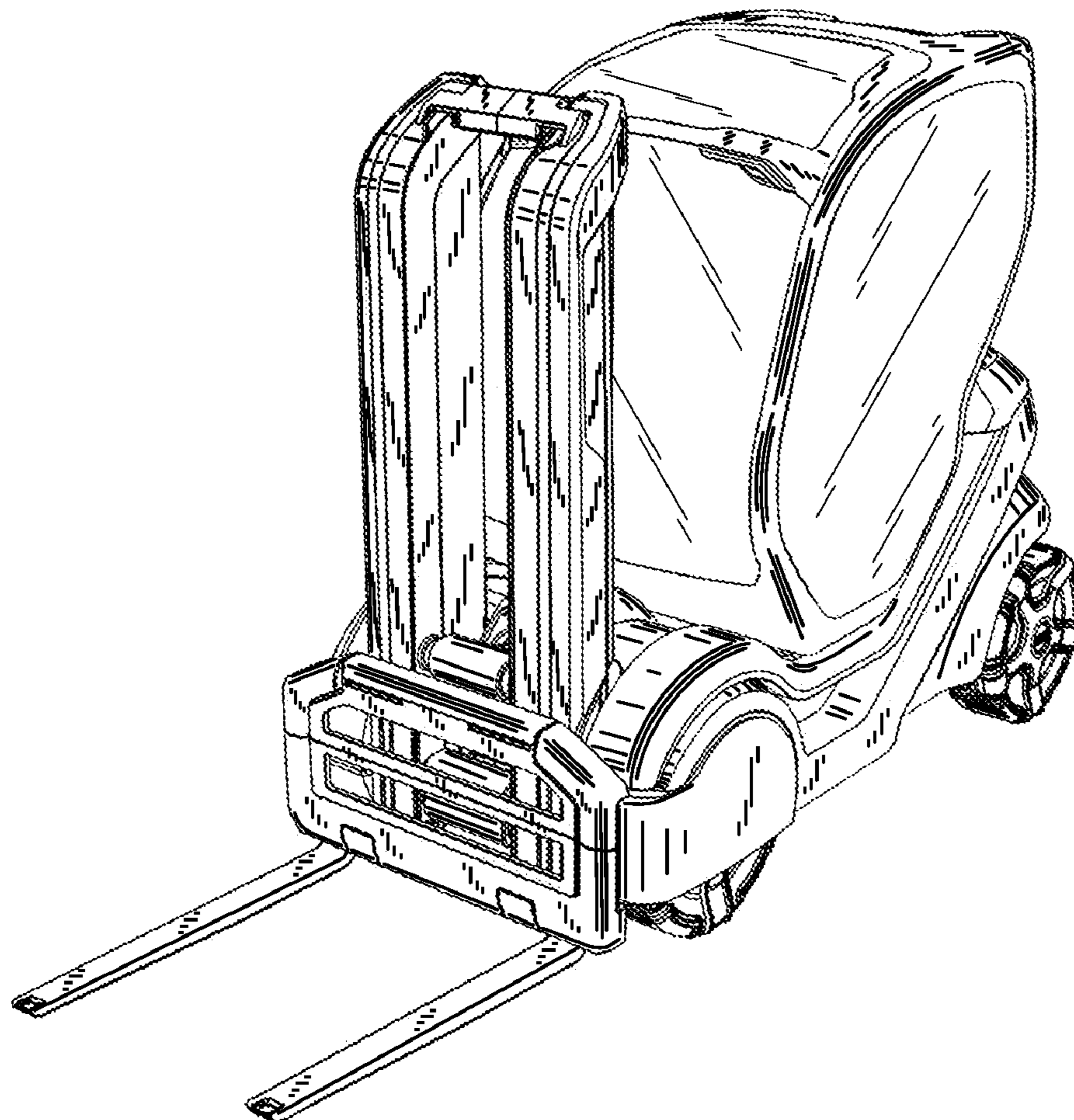
(57) **CLAIM**

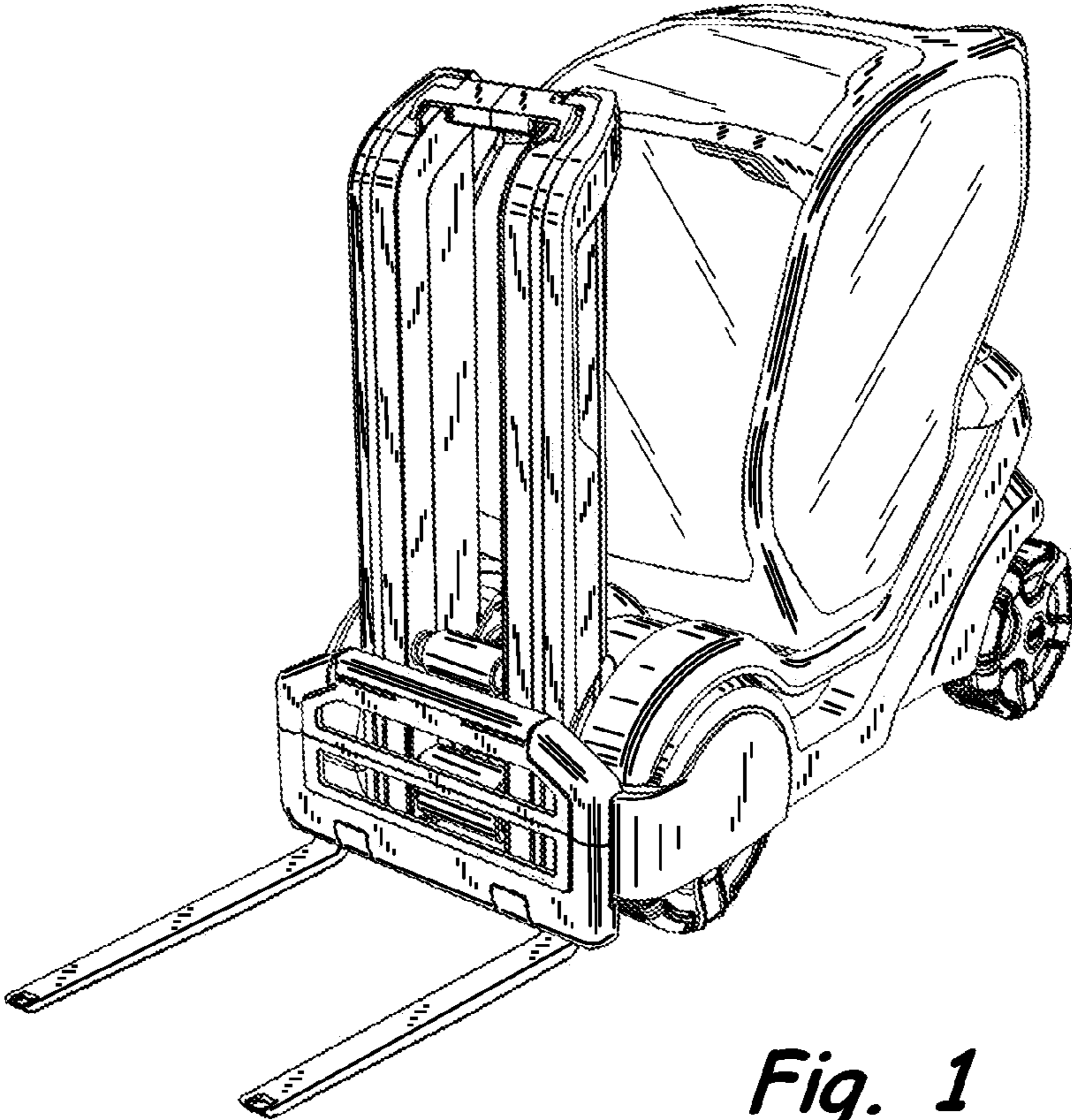
The ornamental design for a forklift, as shown and described.

DESCRIPTION

FIG. 1 is a perspective view of a forklift showing our new design.
FIG. 2 is a front elevational view of the forklift.
FIG. 3 is a rear elevational view of the forklift.
FIG. 4 is a left side view of the forklift.
FIG. 5 is a right side view of the forklift.
FIG. 6 is a top plan view of the forklift; and,
FIG. 7 is a bottom view of the forklift.

1 Claim, 4 Drawing Sheets





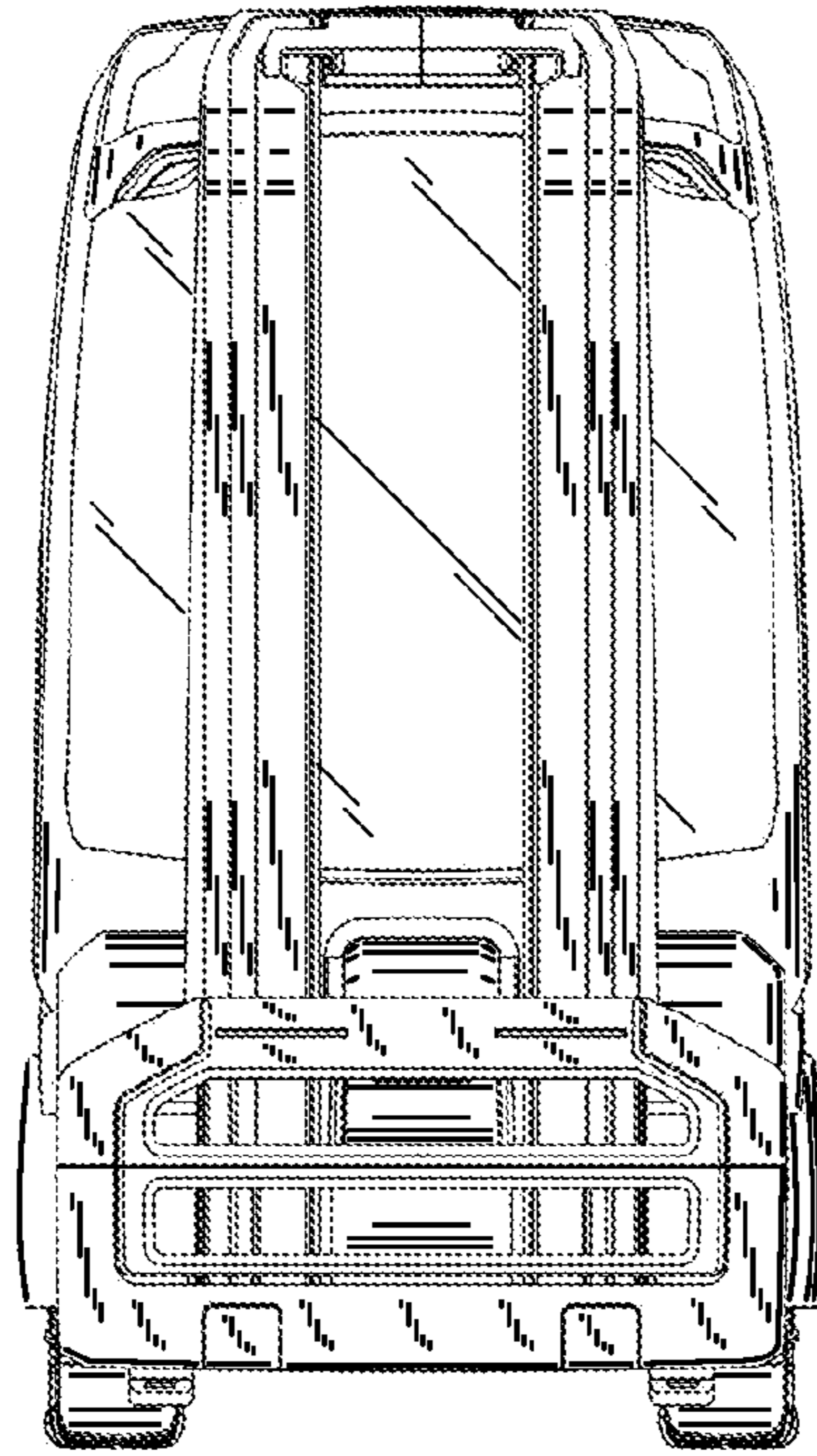


Fig. 2

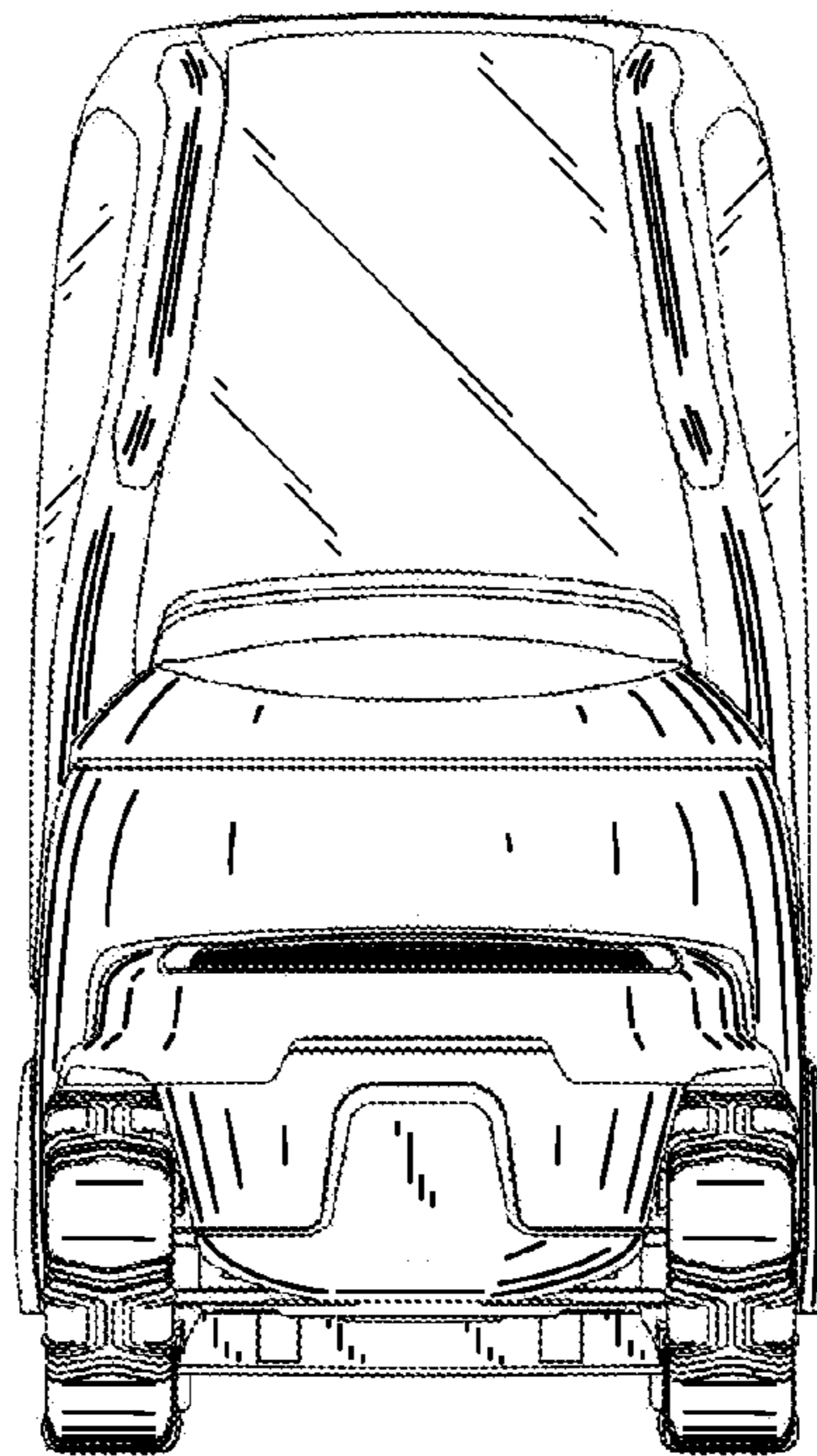


Fig. 3

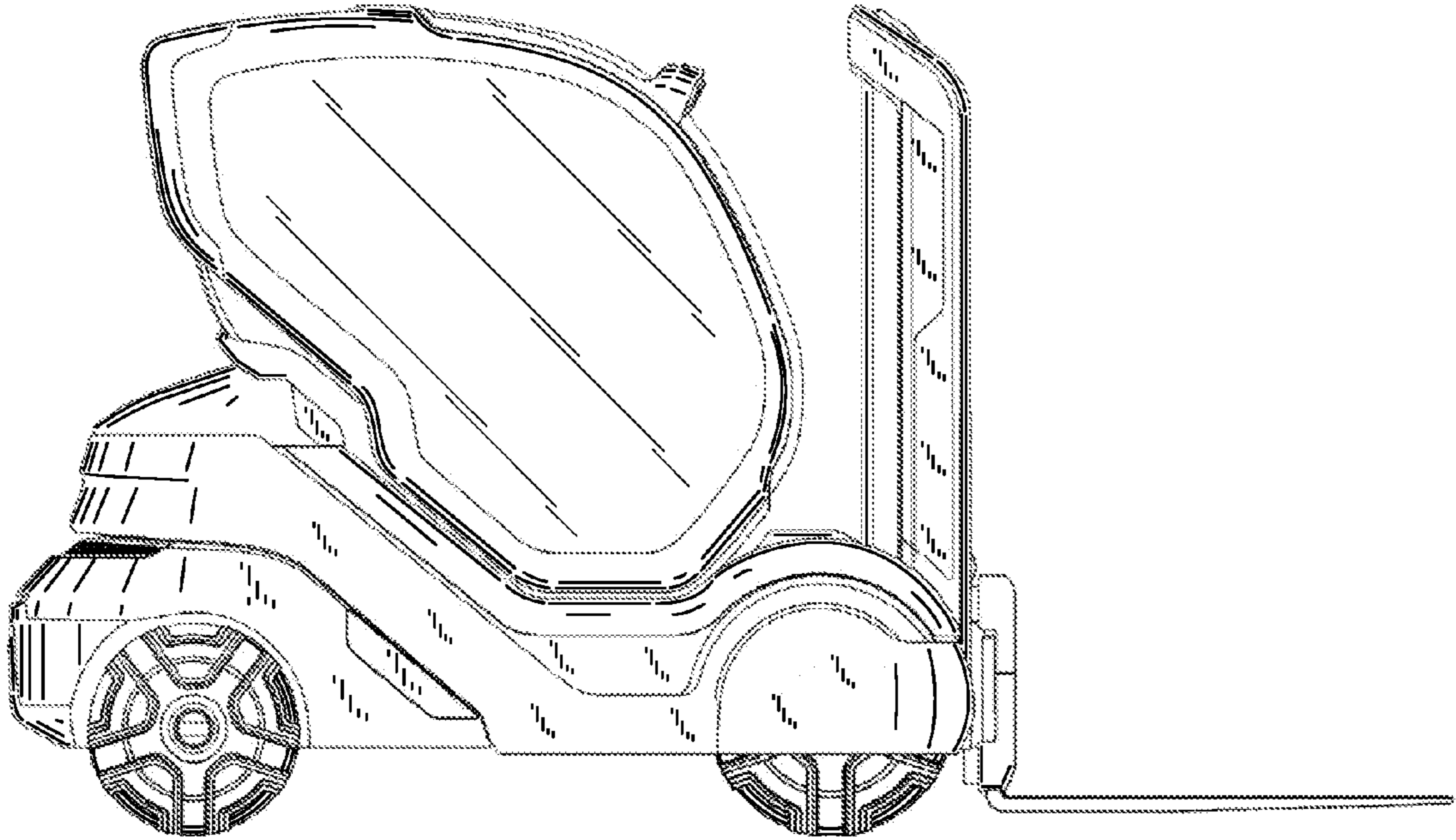


Fig. 4

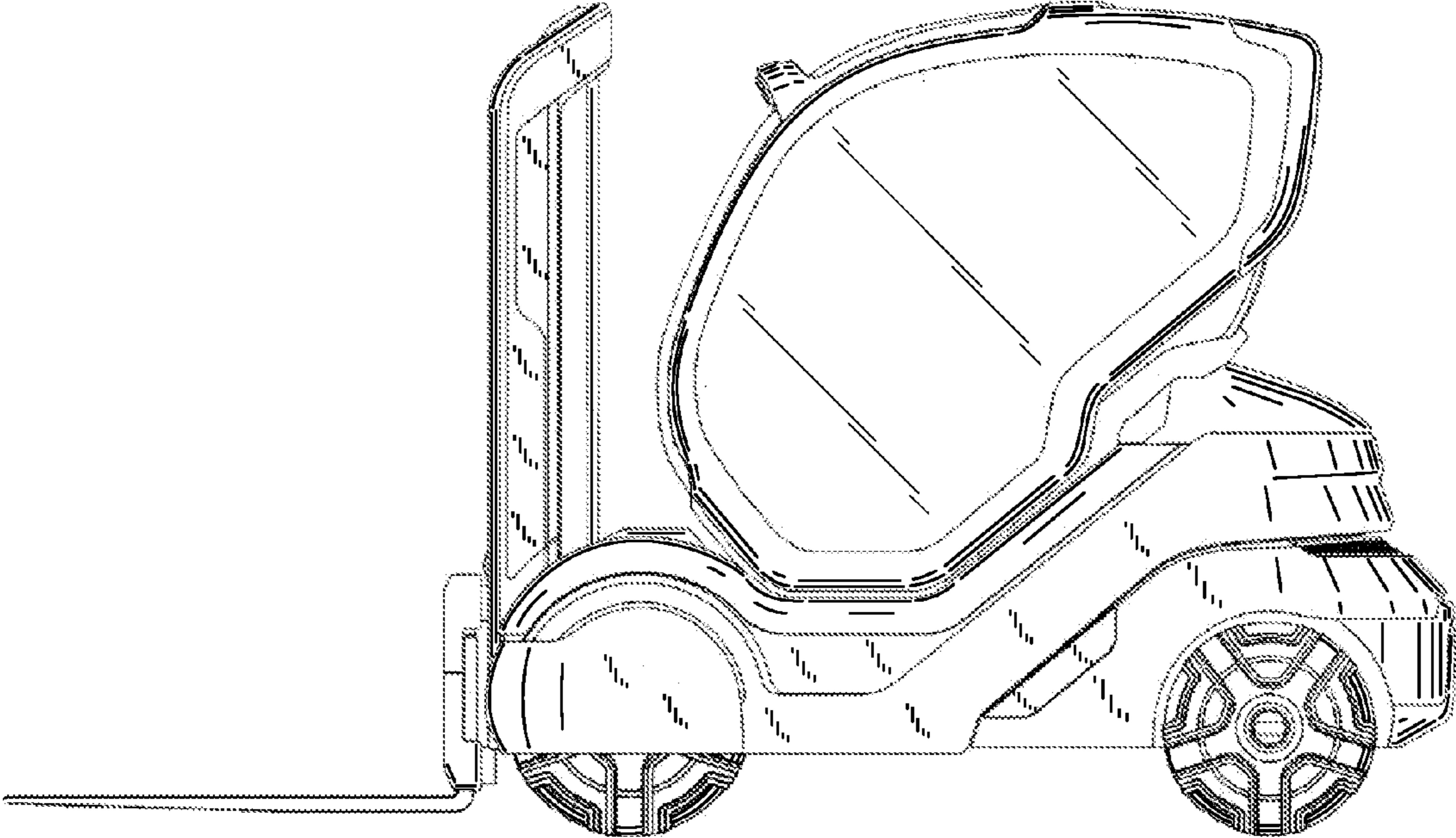


Fig. 5

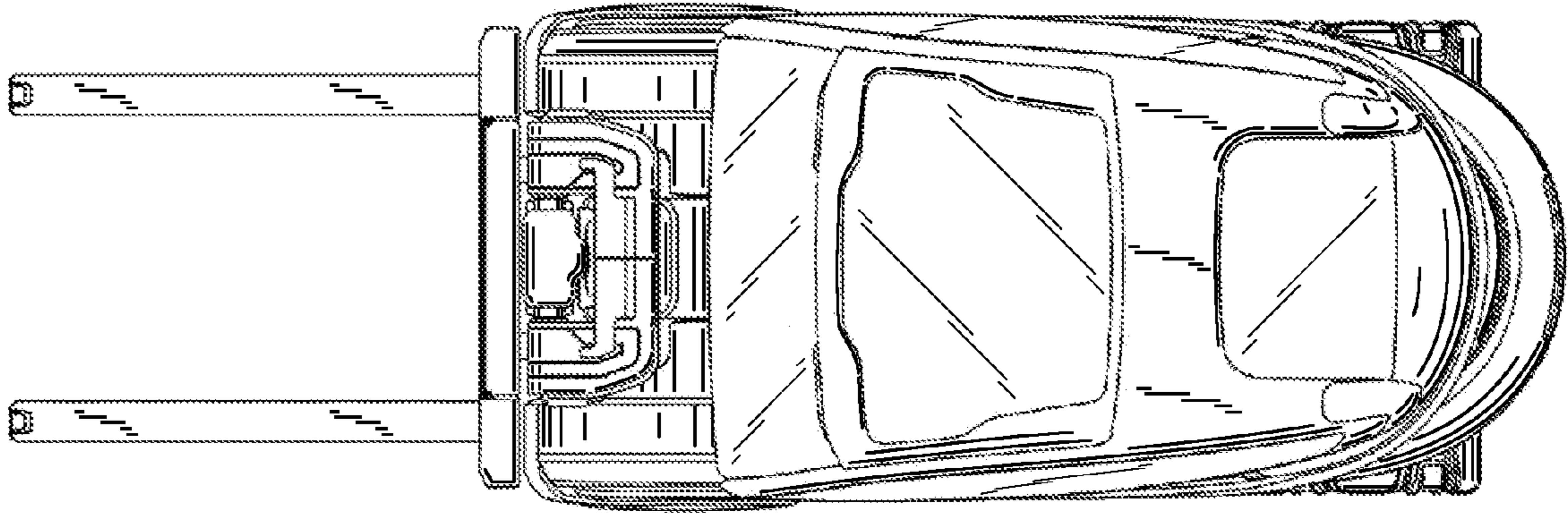


Fig. 6

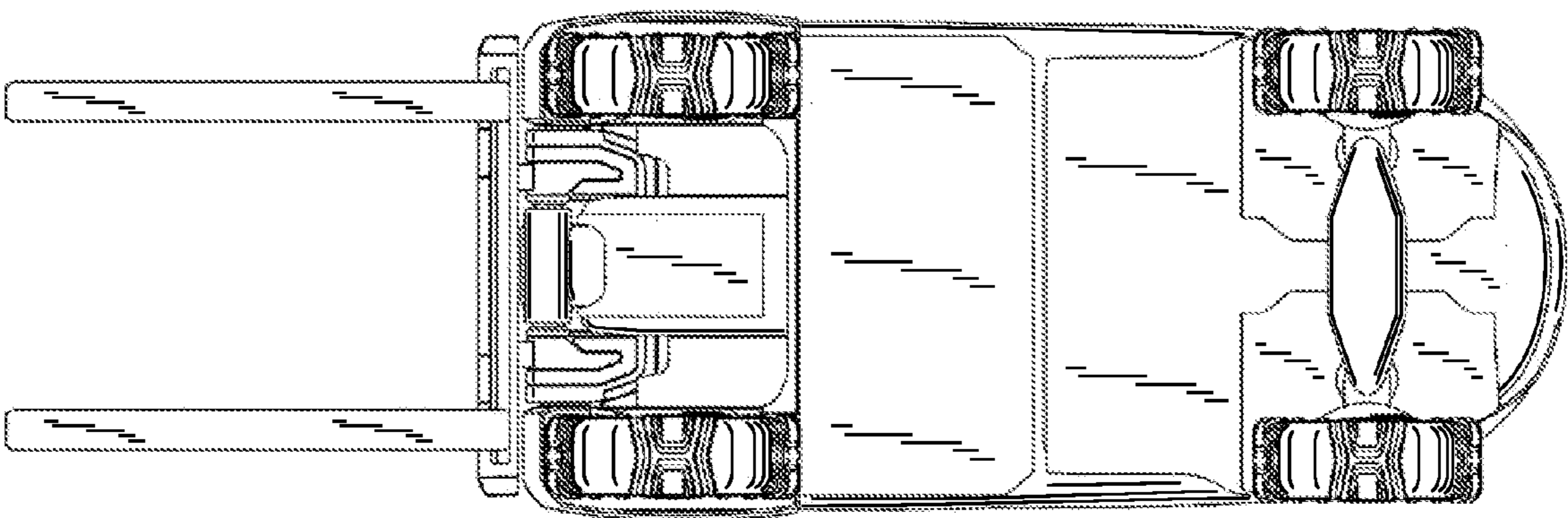


Fig. 7