

US00D664322S

(12) **United States Design Patent**  
**Peng**

(10) **Patent No.:** **US D664,322 S**

(45) **Date of Patent:** **\*\* Jul. 24, 2012**

(54) **ALUMINUM WINCH**

(76) Inventor: **I-Sin Peng**, Taichung (TW)

(\*\*) Term: **14 Years**

(21) Appl. No.: **29/409,665**

(22) Filed: **Dec. 27, 2011**

(51) **LOC (9) Cl.** ..... **12-05**

(52) **U.S. Cl.** ..... **D34/33**

(58) **Field of Classification Search** ..... D34/28,  
D34/33, 35; 254/266, 374, 371, 372, 362,  
254/265, 264, 323

See application file for complete search history.

(56) **References Cited**

**U.S. PATENT DOCUMENTS**

5,607,143	A *	3/1997	Regal	.....	254/342
6,041,676	A *	3/2000	Bettenhausen	.....	74/545
D434,892	S *	12/2000	Roll	.....	D34/33
D595,921	S *	7/2009	Walstrom et al.	.....	D34/33
D602,674	S *	10/2009	Ebbenga	.....	D34/33

7,837,179	B2 *	11/2010	Steiner et al.	.....	254/323
2007/0267612	A1 *	11/2007	Dueck	.....	254/266
2008/0048162	A1 *	2/2008	Grapes et al.	.....	254/323
2008/0083911	A1 *	4/2008	Tzeng	.....	254/265

\* cited by examiner

*Primary Examiner* — Cynthia Ramirez

(74) *Attorney, Agent, or Firm* — Jackson IPG PLLC

(57) **CLAIM**

The ornamental design for an aluminum winch, as shown and described.

**DESCRIPTION**

FIG. 1 is a rear view of an aluminum winch showing my new design;

FIG. 2 is a front elevation view thereof;

FIG. 3 is a left side view thereof;

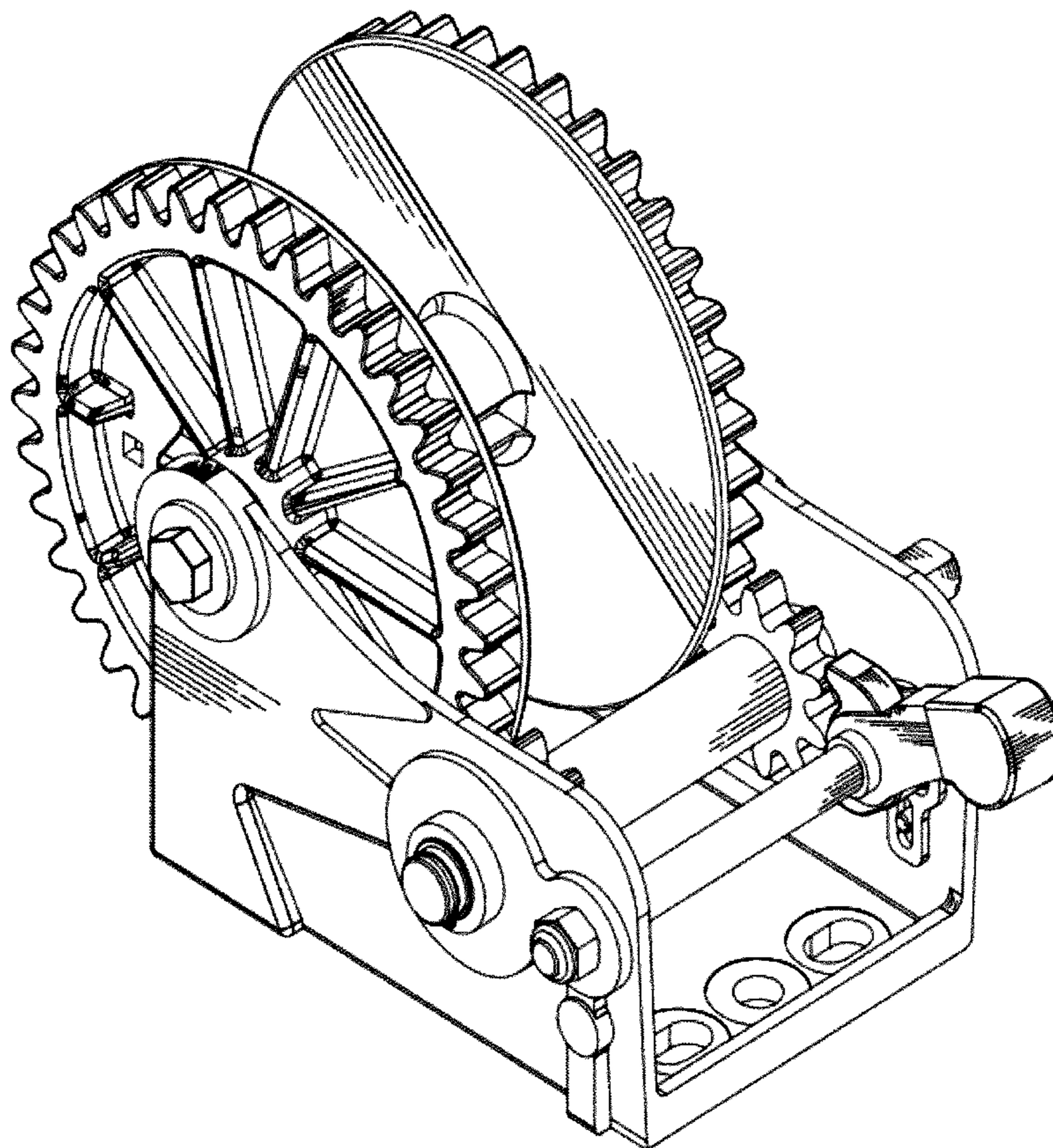
FIG. 4 is a right side view thereof;

FIG. 5 is a top plan view thereof;

FIG. 6 is a bottom plan view thereof; and,

FIG. 7 is a perspective view thereof.

**1 Claim, 4 Drawing Sheets**



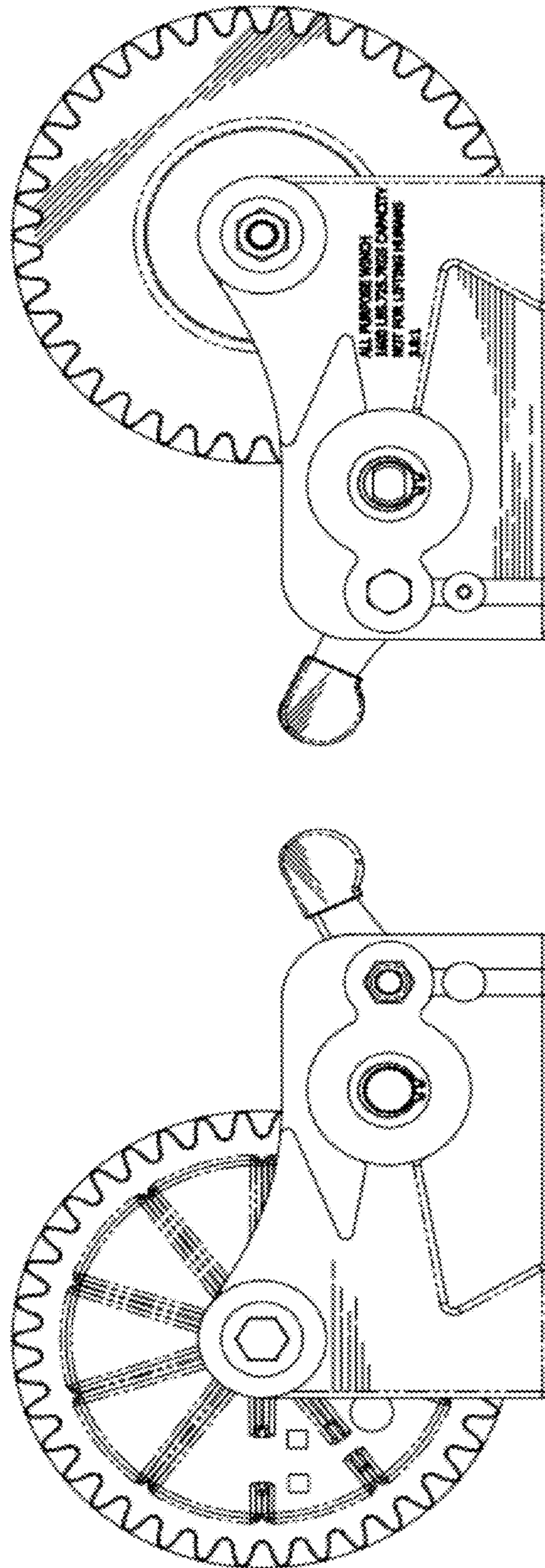


Fig. 2

Fig. 1

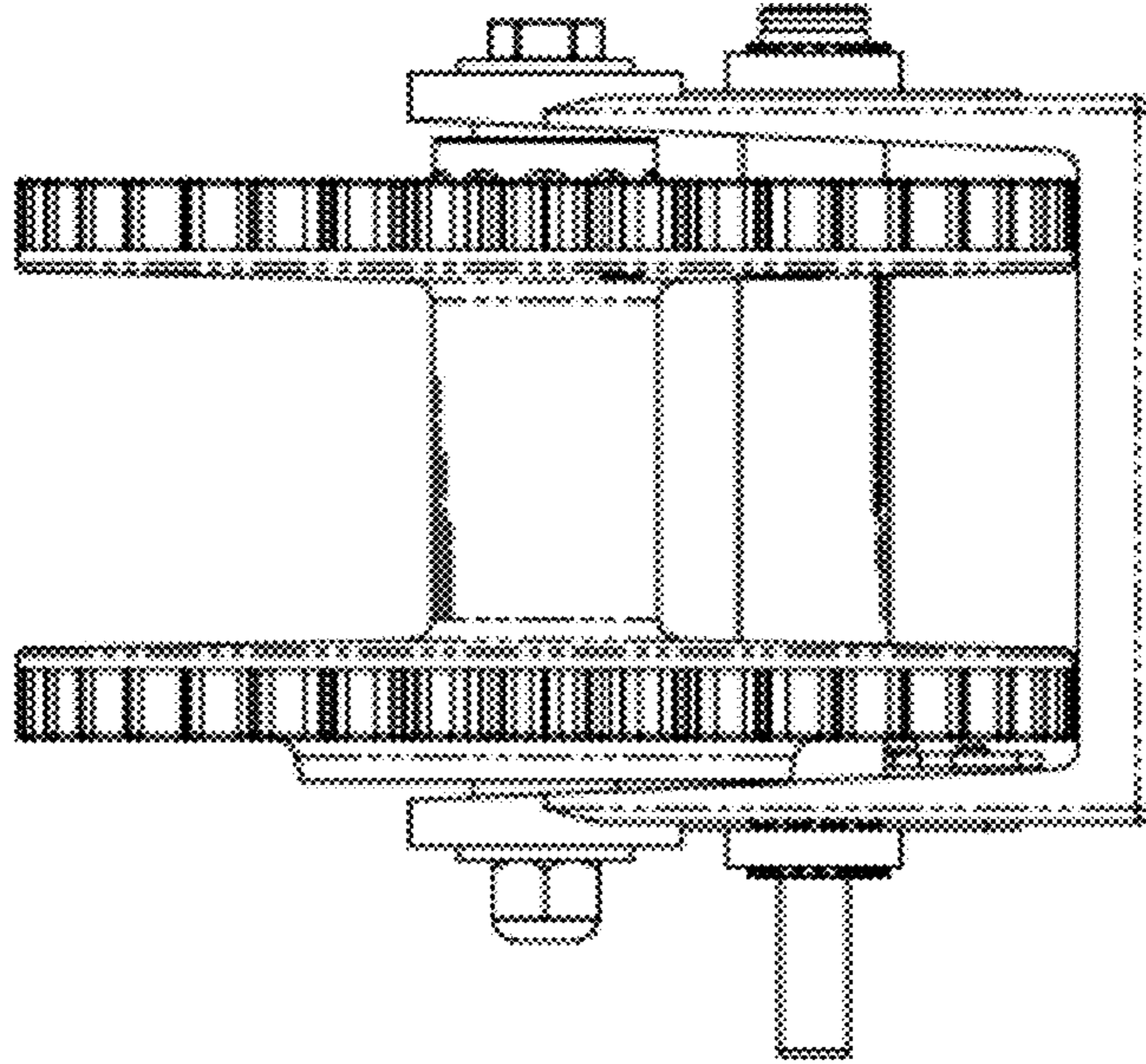


Fig. 4

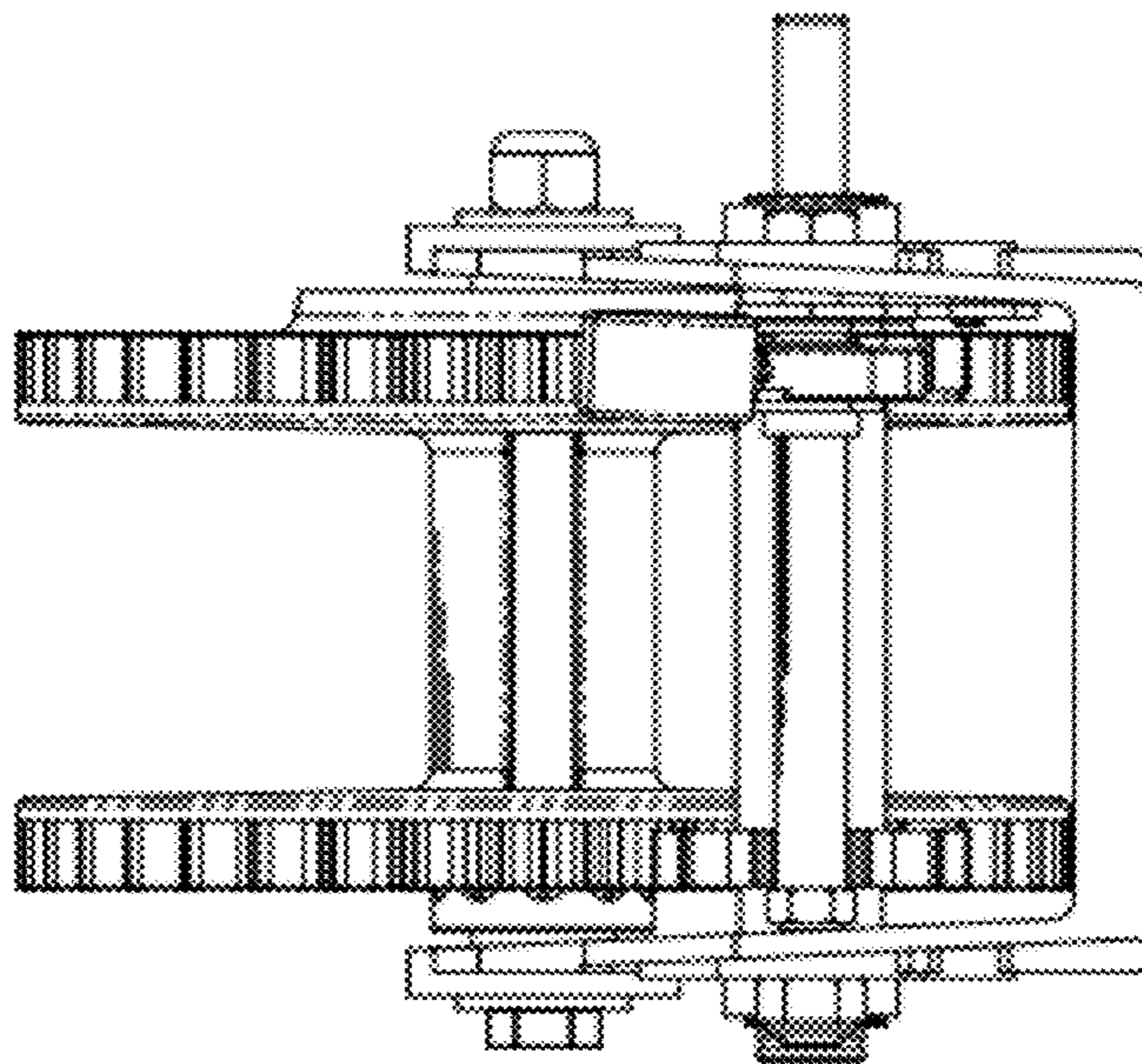


Fig. 3

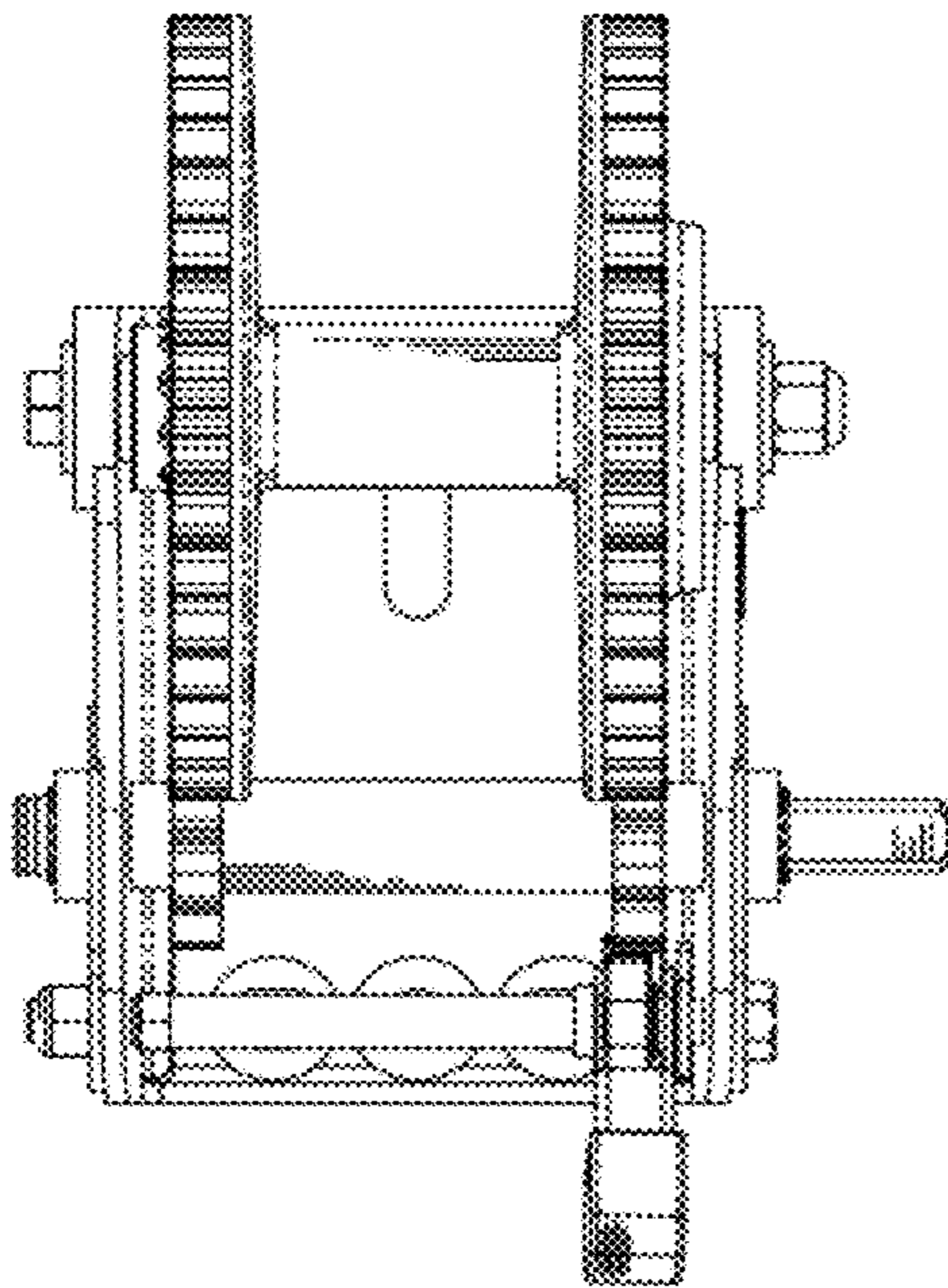


Fig. 5

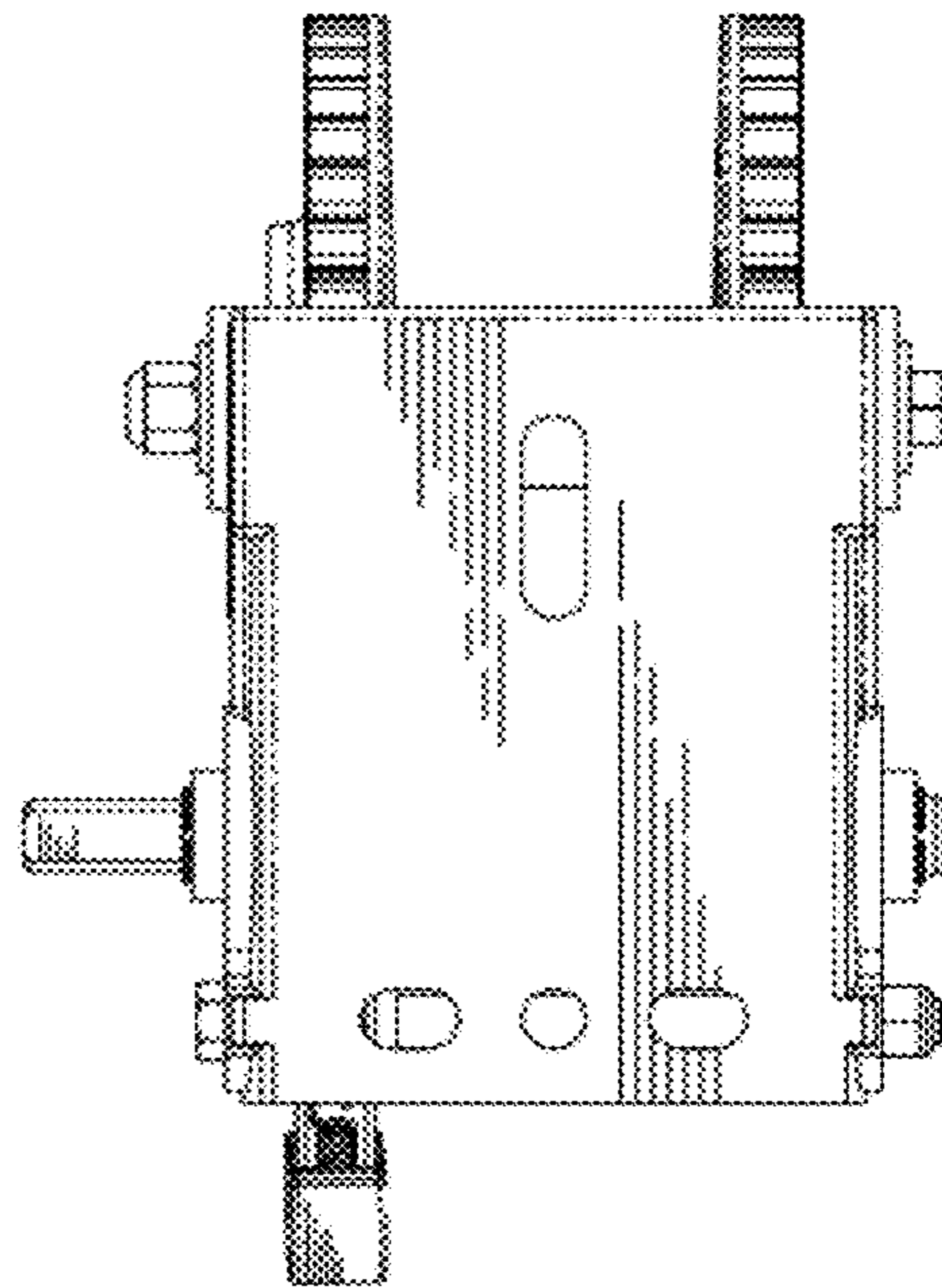


Fig. 6

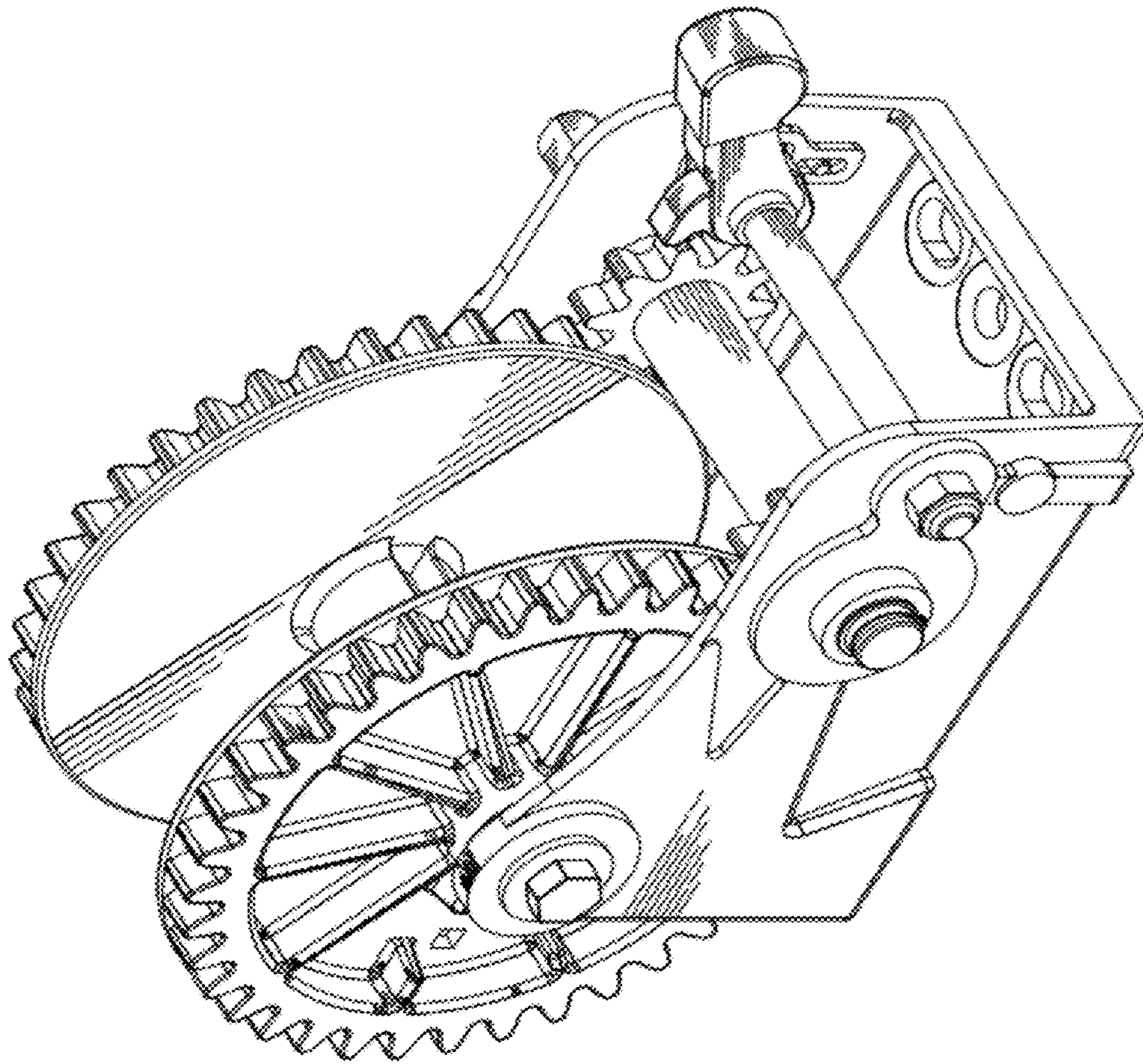


Fig. 7