



US00D664321S

(12) **United States Design Patent**
Williams

(10) **Patent No.:** **US D664,321 S**
(45) **Date of Patent:** **** Jul. 24, 2012**

(54) **PORTABLE SKATE/BOOT/GLOVE DRYER**

(75) Inventor: **Gary Williams**, Langley (CA)

(73) Assignee: **Williams Boot & Glove Dryers Inc.**,
Langley, BC (CA)

(**) Term: **14 Years**

(21) Appl. No.: **29/401,964**

(22) Filed: **Sep. 19, 2011**

(51) **LOC (9) Cl.** **07-05**

(52) **U.S. Cl.** **D32/58; D32/8**

(58) **Field of Classification Search** D32/1,
D32/8-9, 58, 59; 34/104, 105, 106; 392/382;
211/37; D6/462

See application file for complete search history.

(56) **References Cited**

U.S. PATENT DOCUMENTS

D194,512	S	*	2/1963	Donaldson	D32/58
D224,309	S	*	7/1972	Wolff	D32/9
4,145,602	A	*	3/1979	Lee	392/382
D272,644	S	*	2/1984	Warren et al.	D32/1
4,596,078	A	*	6/1986	McCartney	34/103
4,727,656	A	*	3/1988	Jannach et al.	34/104
D310,742	S	*	9/1990	Johnson	D32/58
D322,344	S	*	12/1991	Winkler	D32/58
5,127,529	A	*	7/1992	Martinez et al.	211/37
5,287,636	A	*	2/1994	Lafleur et al.	34/104
D367,382	S	*	2/1996	Tseng	D6/462
D372,346	S	*	7/1996	Marks	D32/8
D373,867	S	*	9/1996	Rask	D32/58
5,566,838	A	*	10/1996	Tseng	211/37

D383,276	S	*	9/1997	Janney	D32/58
5,692,316	A	*	12/1997	Antal	34/106
D412,231	S	*	7/1999	Williams et al.	D32/58
D433,204	S	*	10/2000	Gardner, Jr.	D32/58
6,327,792	B1	*	12/2001	Hebert	34/104
7,103,989	B2	*	9/2006	Rosseau et al.	34/104
D541,493	S	*	4/2007	Peet	D32/8
7,430,816	B1	*	10/2008	Lozenski	34/104
D616,537	S	*	5/2010	Gosko-Sadowski	D23/393

* cited by examiner

Primary Examiner — T. Chase Nelson

Assistant Examiner — Kathleen M Sims

(74) *Attorney, Agent, or Firm* — Fay Sharpe LLP

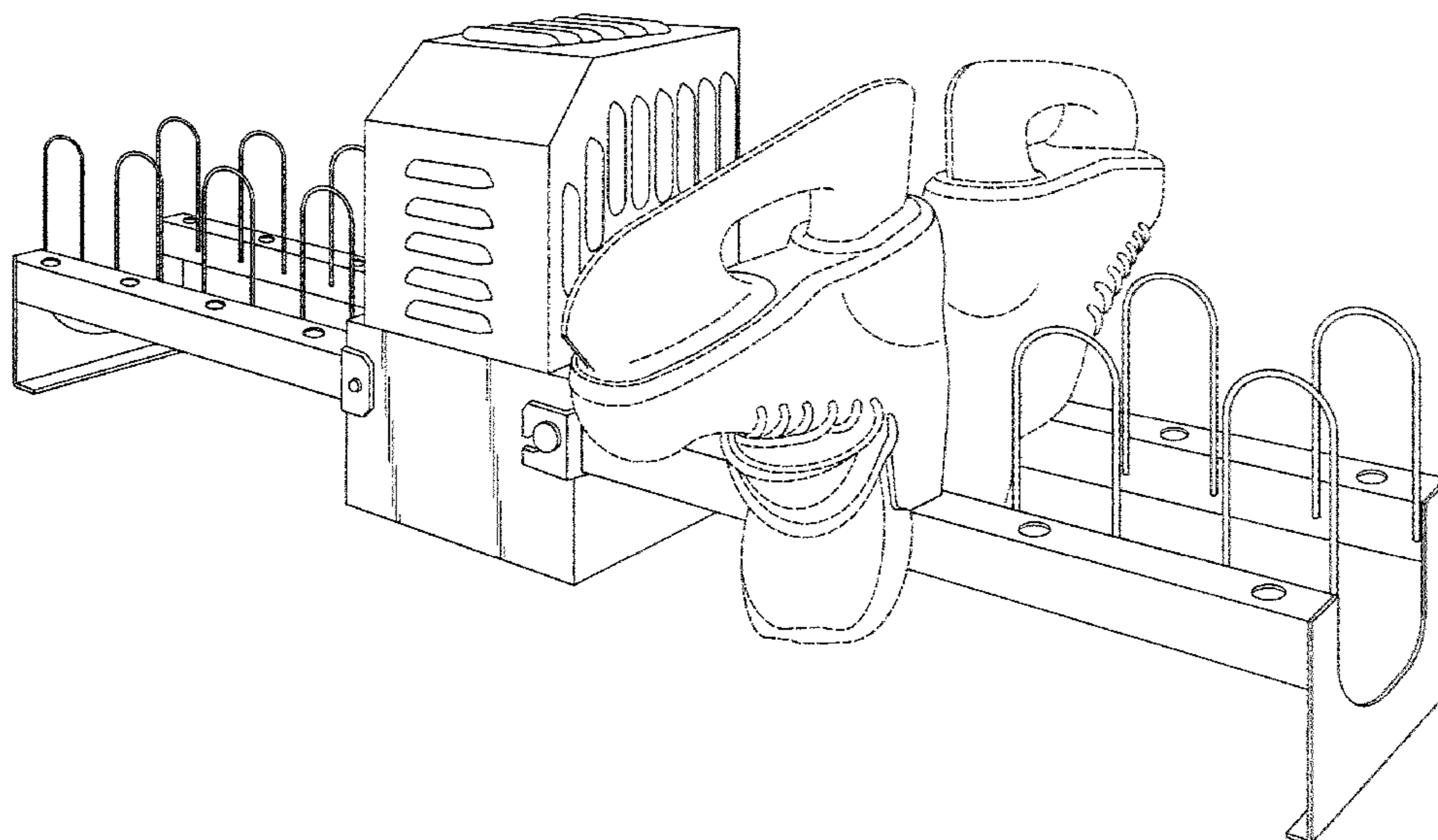
(57) **CLAIM**

The ornamental design for a portable skate/boot/glove dryer, as shown and described.

DESCRIPTION

FIG. 1 is a perspective view of the portable skate/boot/glove dryer in its environment showing my new design; FIG. 2 is a front elevation view of the dryer of FIG. 1; FIG. 3 is a top view of the dryer of FIG. 1; FIG. 4 is a bottom view of the dryer of FIG. 1; FIG. 5 is a left side elevation view of the dryer of FIG. 1; FIG. 6 is a right side elevation view of the dryer of FIG. 1; and, FIG. 7 is a rear elevation view of the dryer of FIG. 1. The broken line showing of footwear in FIG. 1 is included for the purpose of showing environmental portions of the portable skate/boot/glove dryer and forms no part of the claimed design.

1 Claim, 5 Drawing Sheets



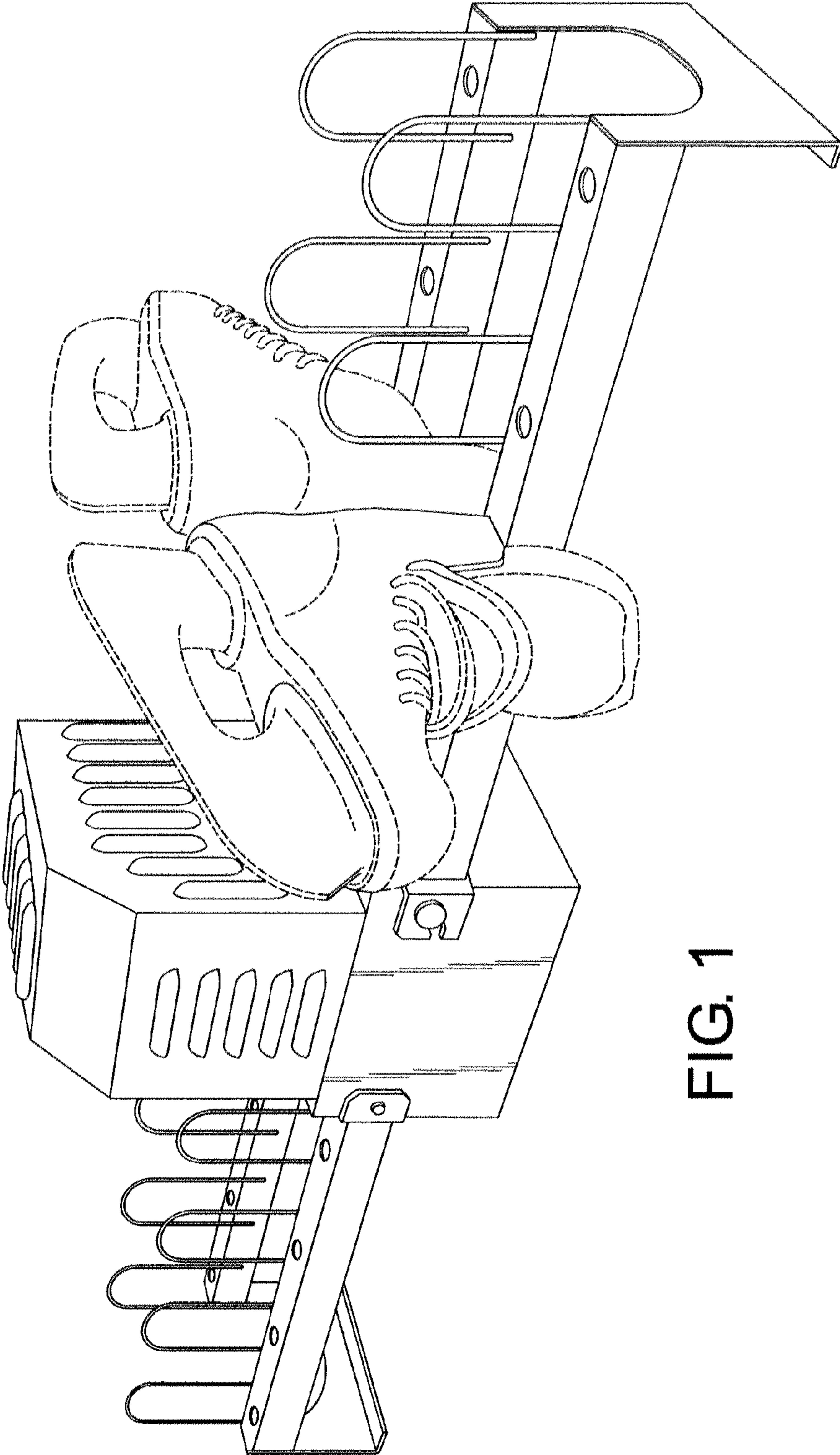


FIG. 1

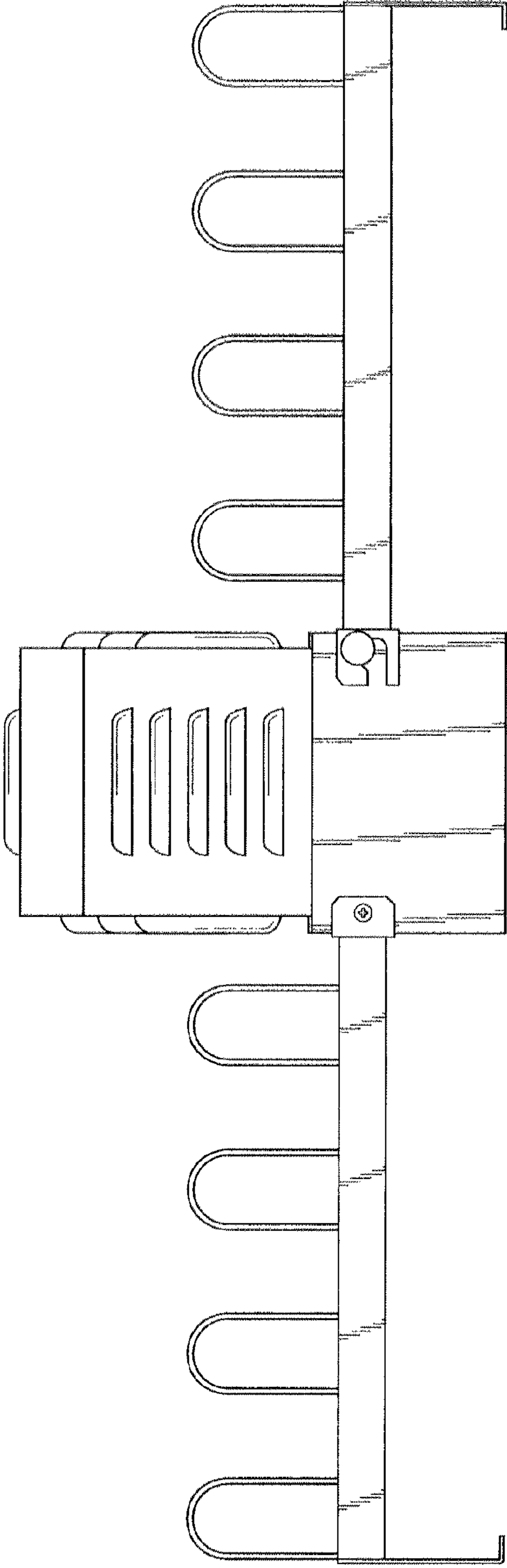


FIG. 2

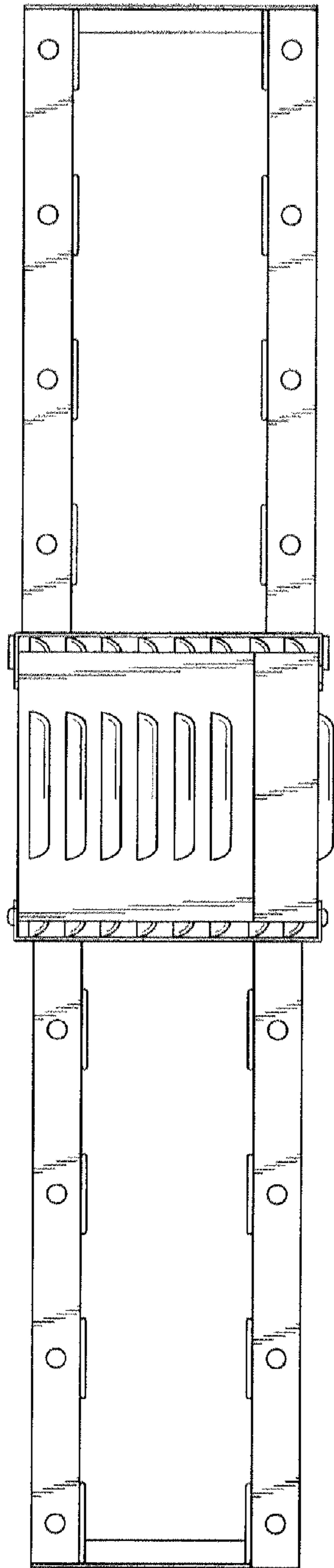


FIG. 3

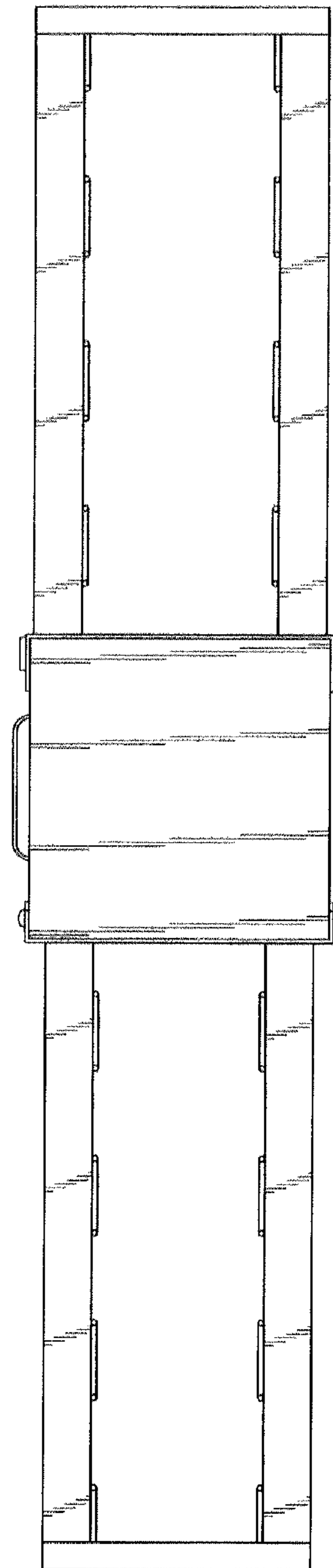


FIG. 4

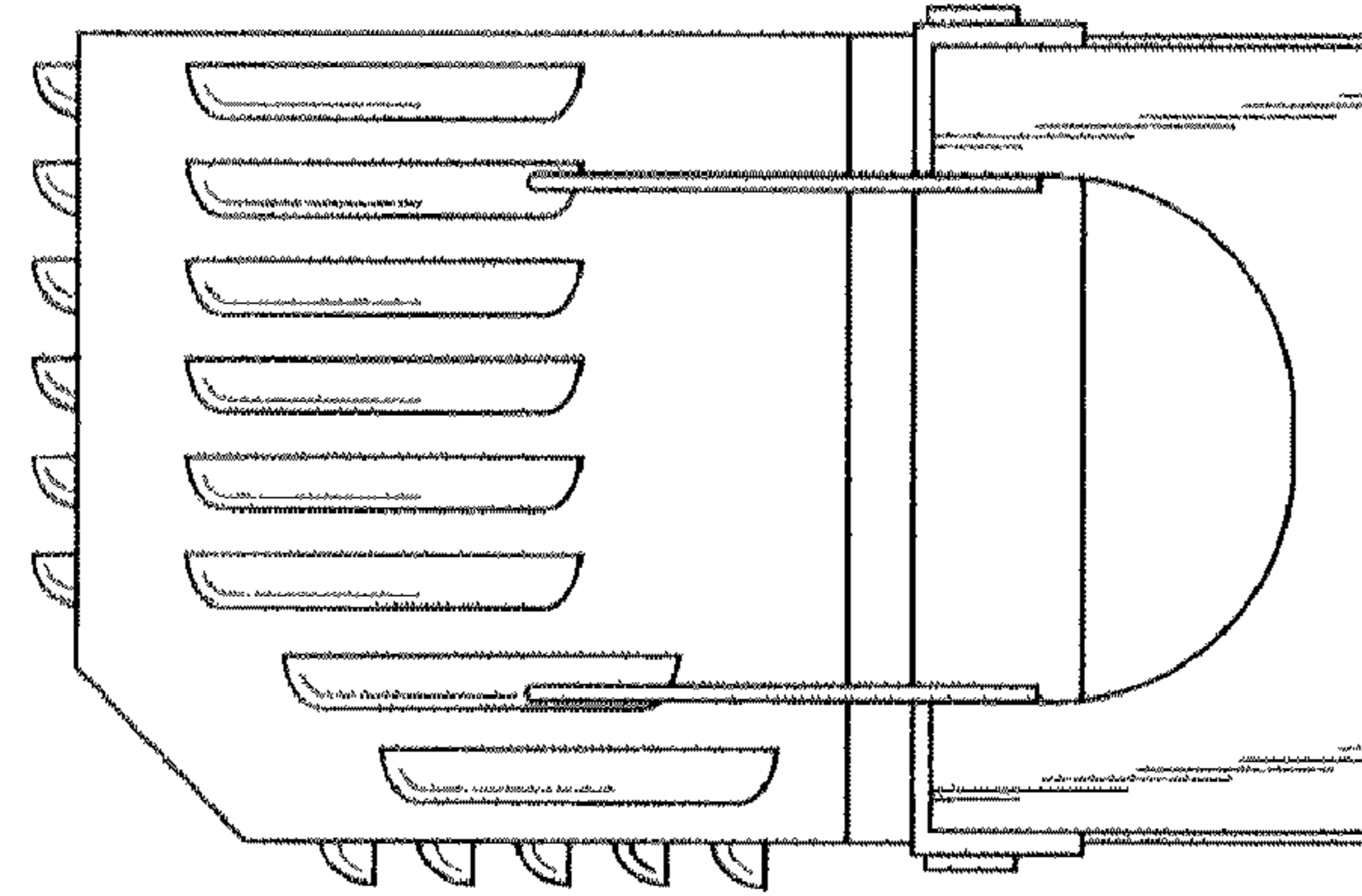


FIG. 5

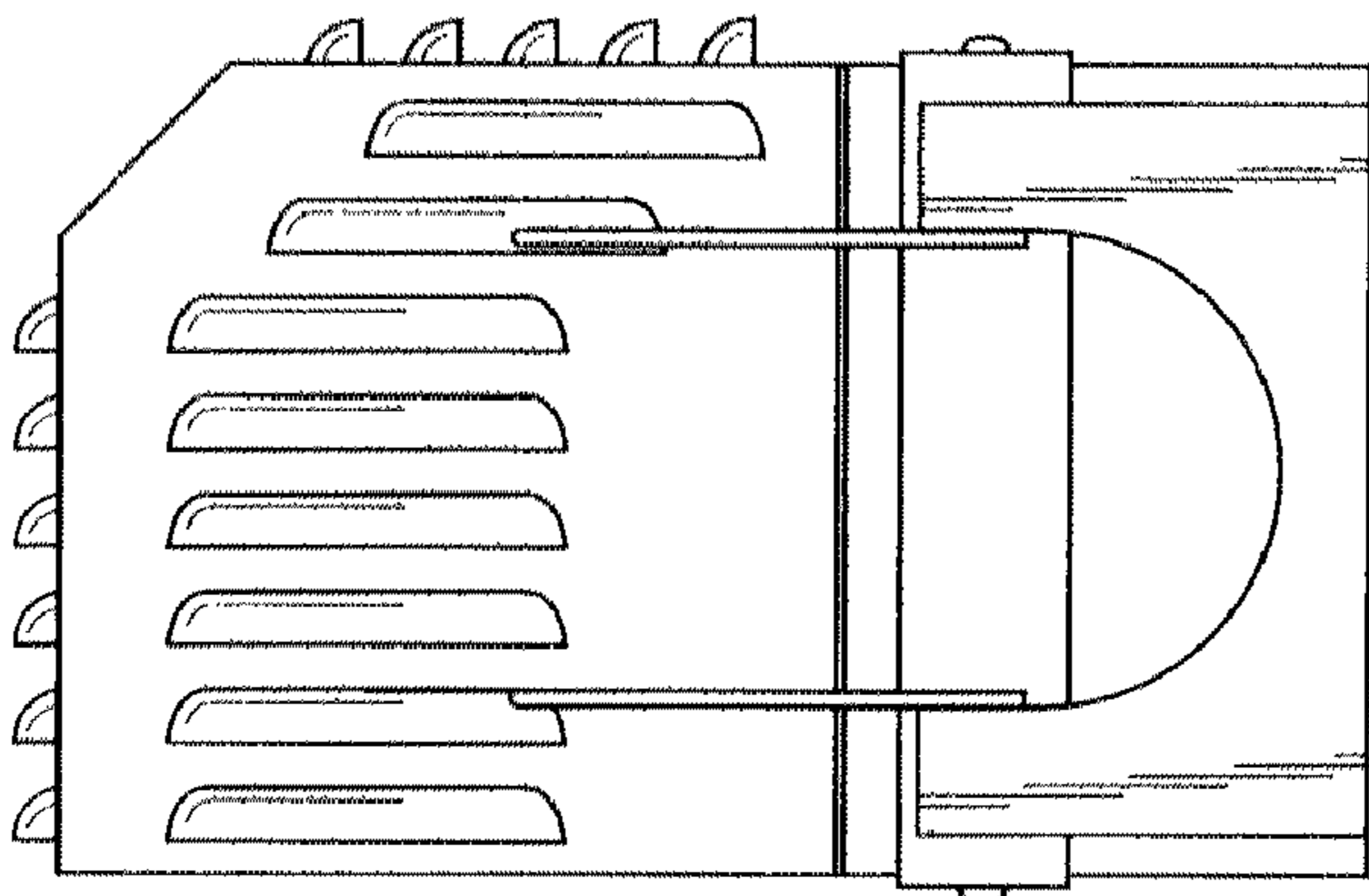


FIG. 6

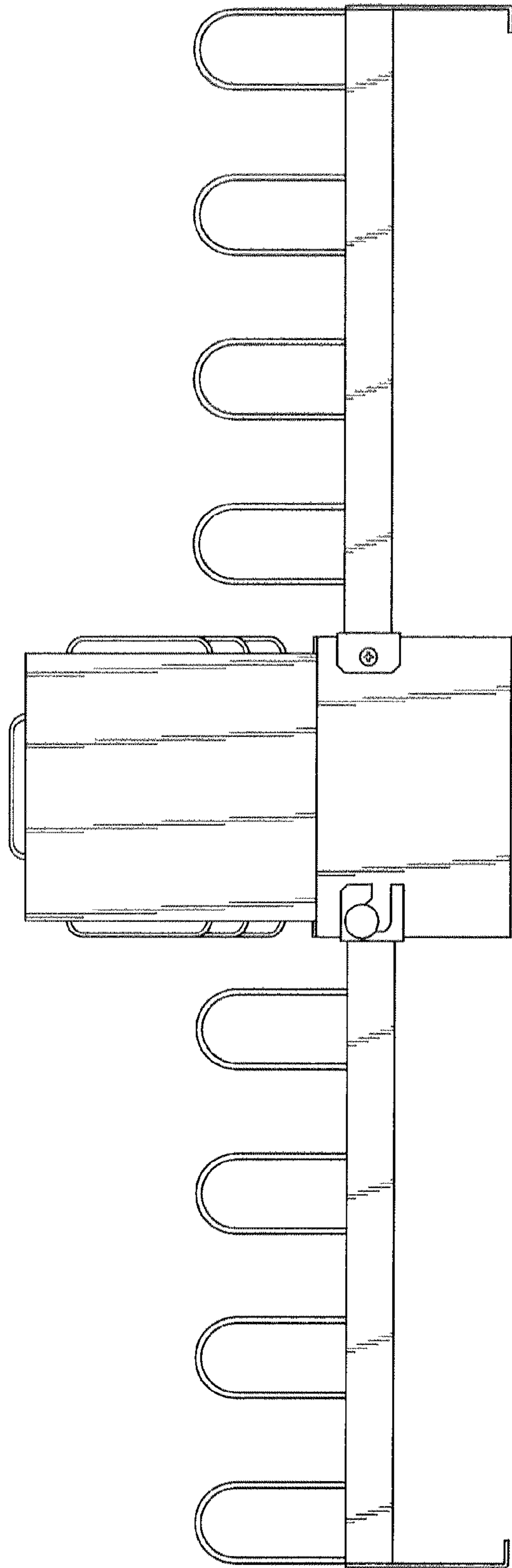


FIG. 7