

US00D664316S

(12) **United States Design Patent**  
**Kim**

(10) **Patent No.:** **US D664,316 S**  
(45) **Date of Patent:** **\*\* Jul. 24, 2012**

(54) **VACUUM CLEANER**

(75) Inventor: **Joo-Hyung Kim**, Seoul (KR)

(73) Assignee: **Samsung Electronics Co., Ltd.**,  
Suwon-si (KR)

(\*\*) Term: **14 Years**

(21) Appl. No.: **29/383,696**

(22) Filed: **Jan. 20, 2011**

(51) **LOC (9) Cl.** ..... **07-02**

(52) **U.S. Cl.** ..... **D32/21**

(58) **Field of Classification Search** ..... D32/21,  
D32/23-24, 30-31; 15/327.1-327, 7, 328,  
15/340.1, 340.2, 353, 347, 301, 336, 320,  
15/314, 352, 412; 55/447, 337, 345, DIG. 3  
See application file for complete search history.

(56) **References Cited**

**U.S. PATENT DOCUMENTS**

D399,617 S	*	10/1998	Fujita	.....	D32/21
D417,046 S	*	11/1999	Tsuruha et al.	.....	D32/21
D506,856 S	*	6/2005	Schroter	.....	D32/21
D523,194 S	*	6/2006	Choi	.....	D32/21

D539,492 S	*	3/2007	Konno	.....	D32/21
D554,308 S	*	10/2007	Shin	.....	D32/21
D582,109 S	*	12/2008	Kim et al.	.....	D32/21
D616,619 S	*	5/2010	Schroeter	.....	D32/21
2011/0209303 A1	*	9/2011	Kim	.....	15/347

\* cited by examiner

*Primary Examiner* — Ruth McInroy  
(74) *Attorney, Agent, or Firm* — Ladas & Parry LLP

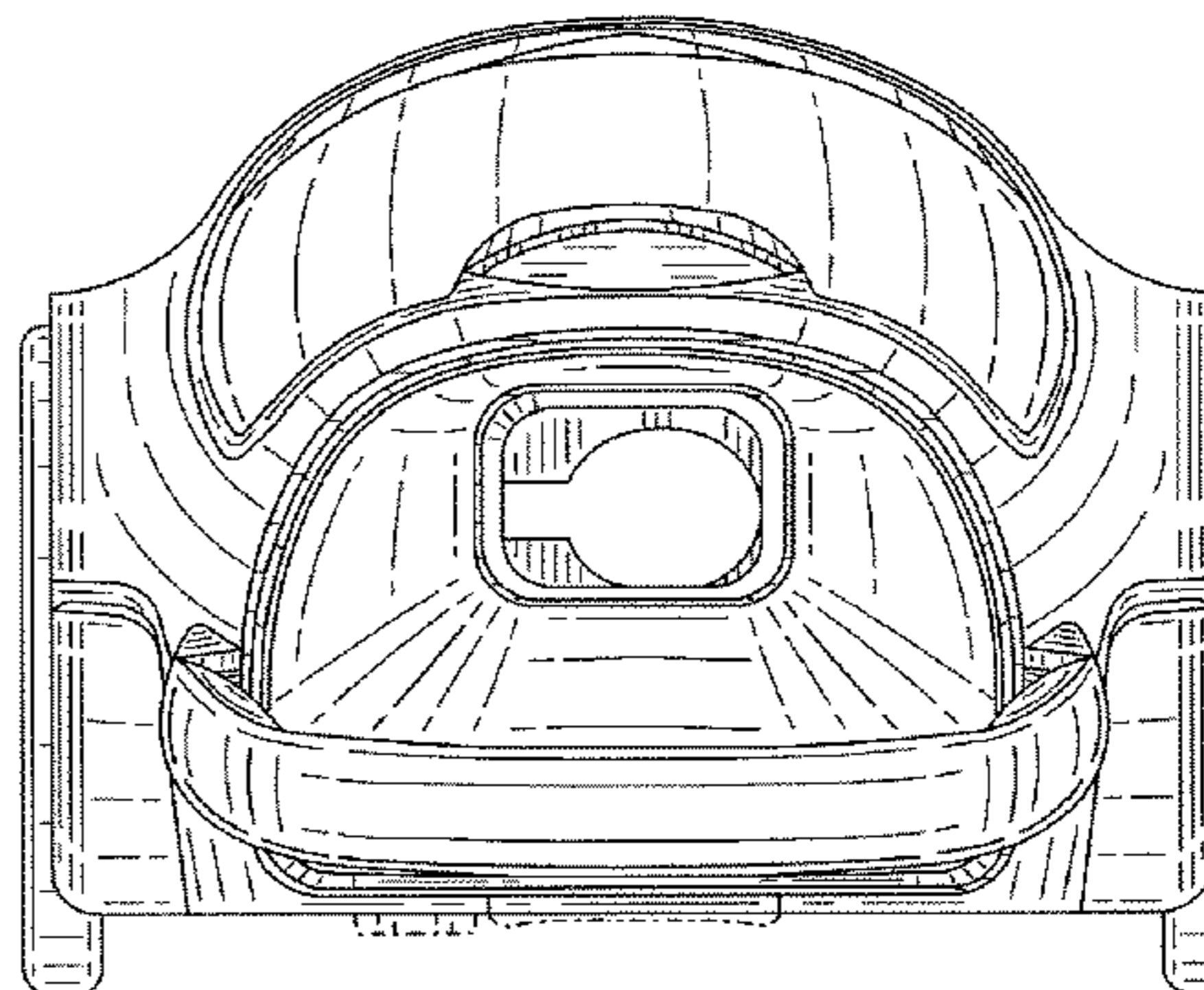
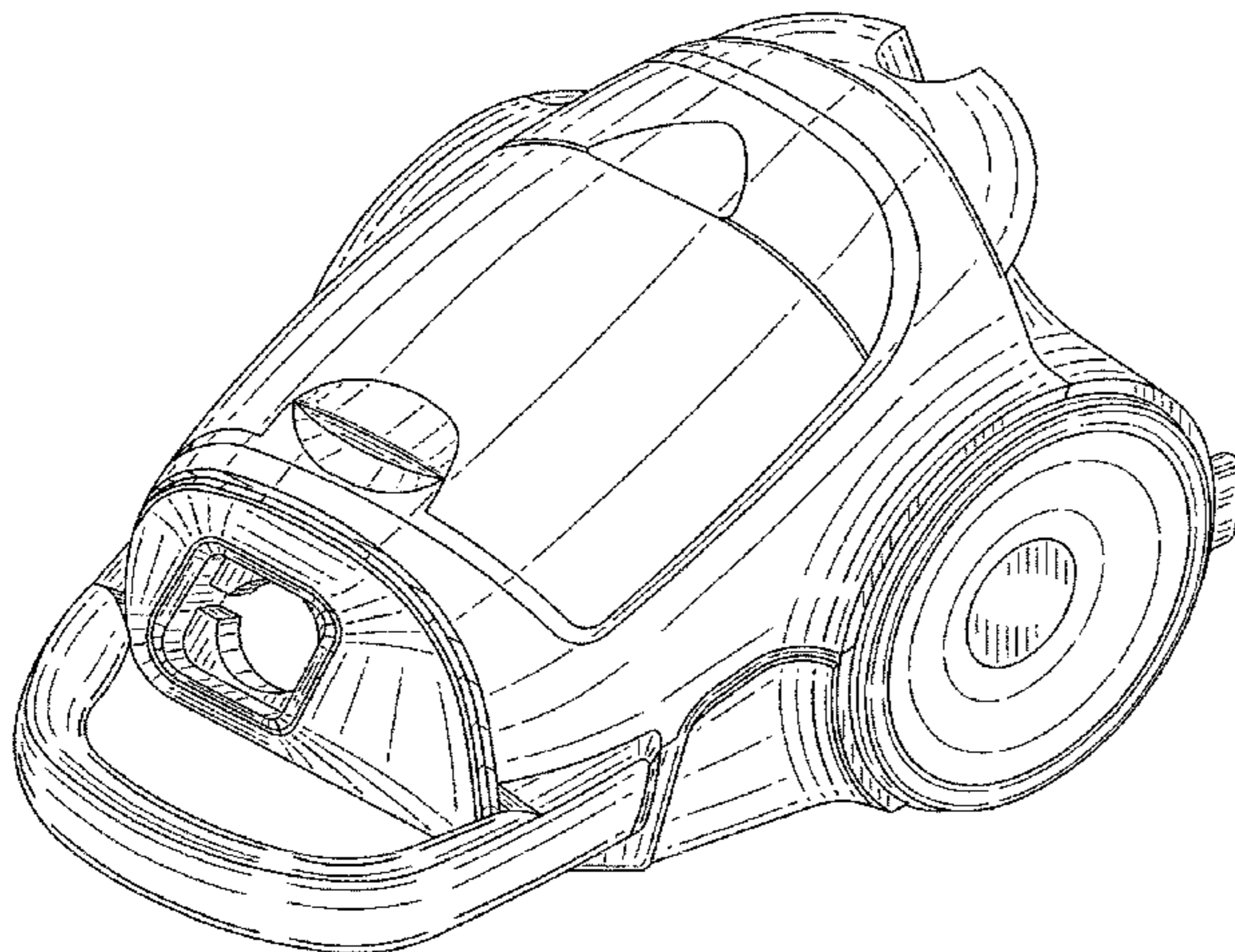
(57) **CLAIM**

I claim the ornamental design for a vacuum cleaner, as shown and described.

**DESCRIPTION**

FIG. 1 is a front, top and right-side perspective view of a vacuum cleaner showing our new design;  
FIG. 2 is a front elevational view thereof;  
FIG. 3 is a rear elevational view thereof;  
FIG. 4 is a left-side elevational view thereof;  
FIG. 5 is a right-side elevational view thereof; and,  
FIG. 6 is a top plan view thereof.  
The details shown in broken lines form no part of the claimed design.

**1 Claim, 4 Drawing Sheets**



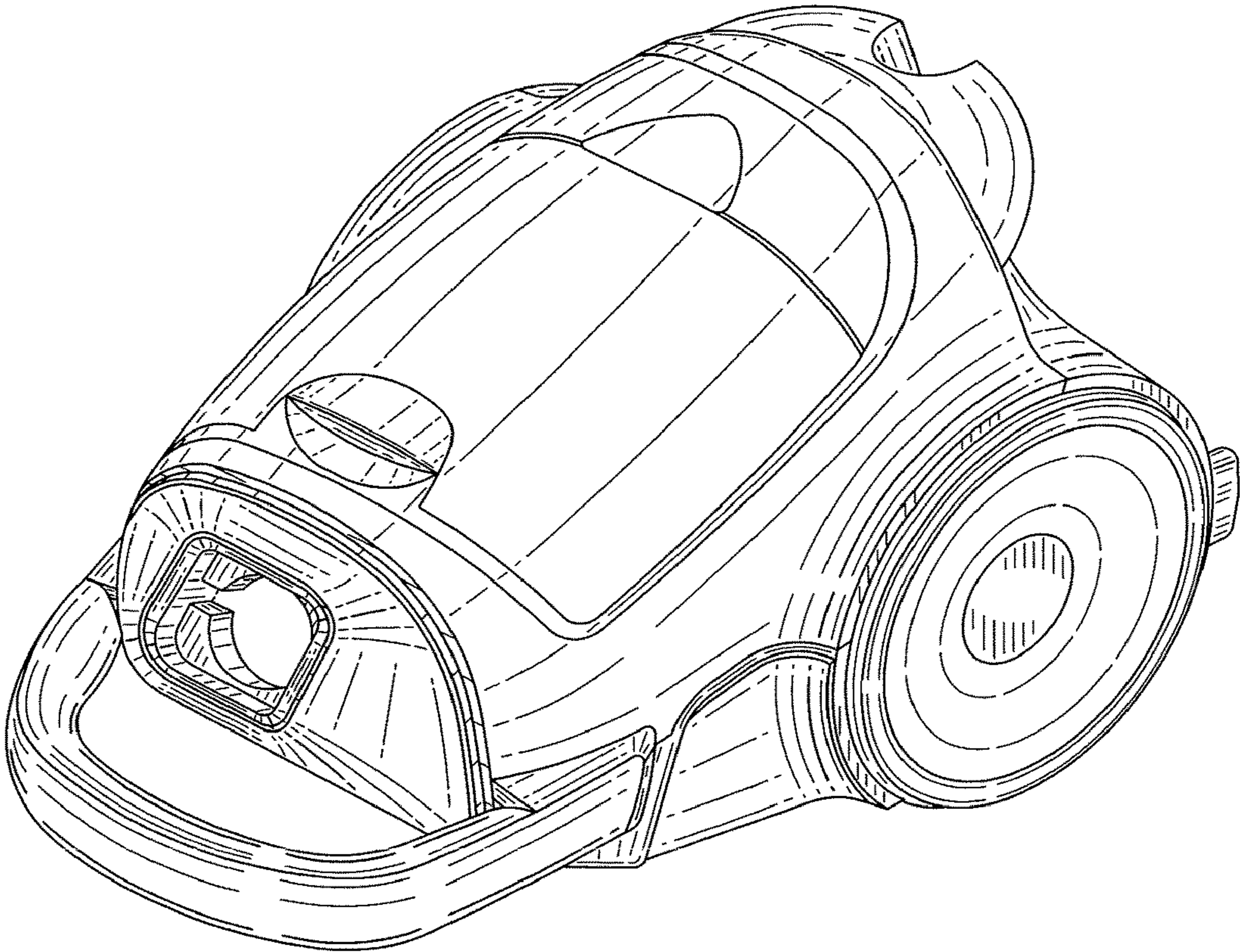


FIG. 1



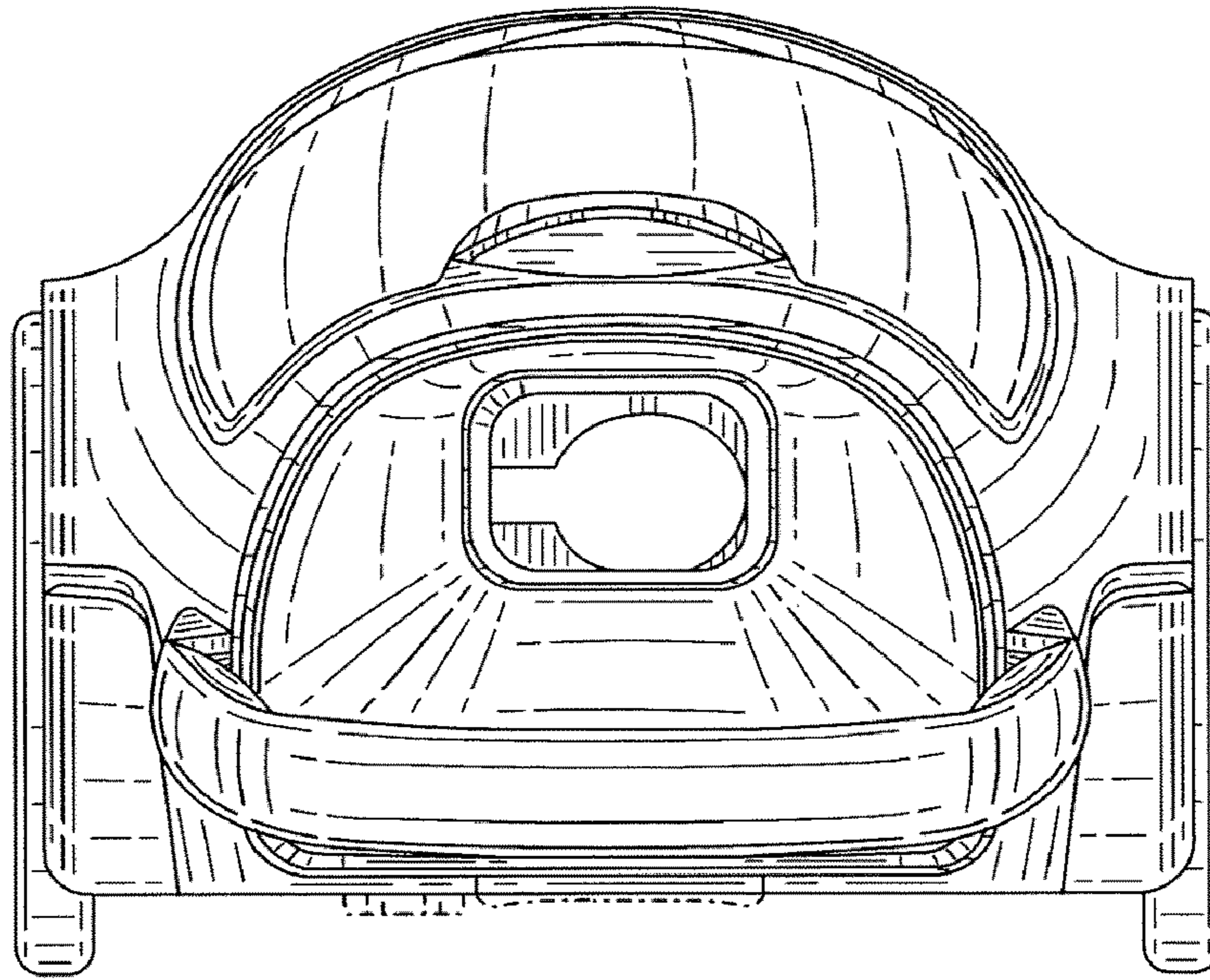


FIG. 2

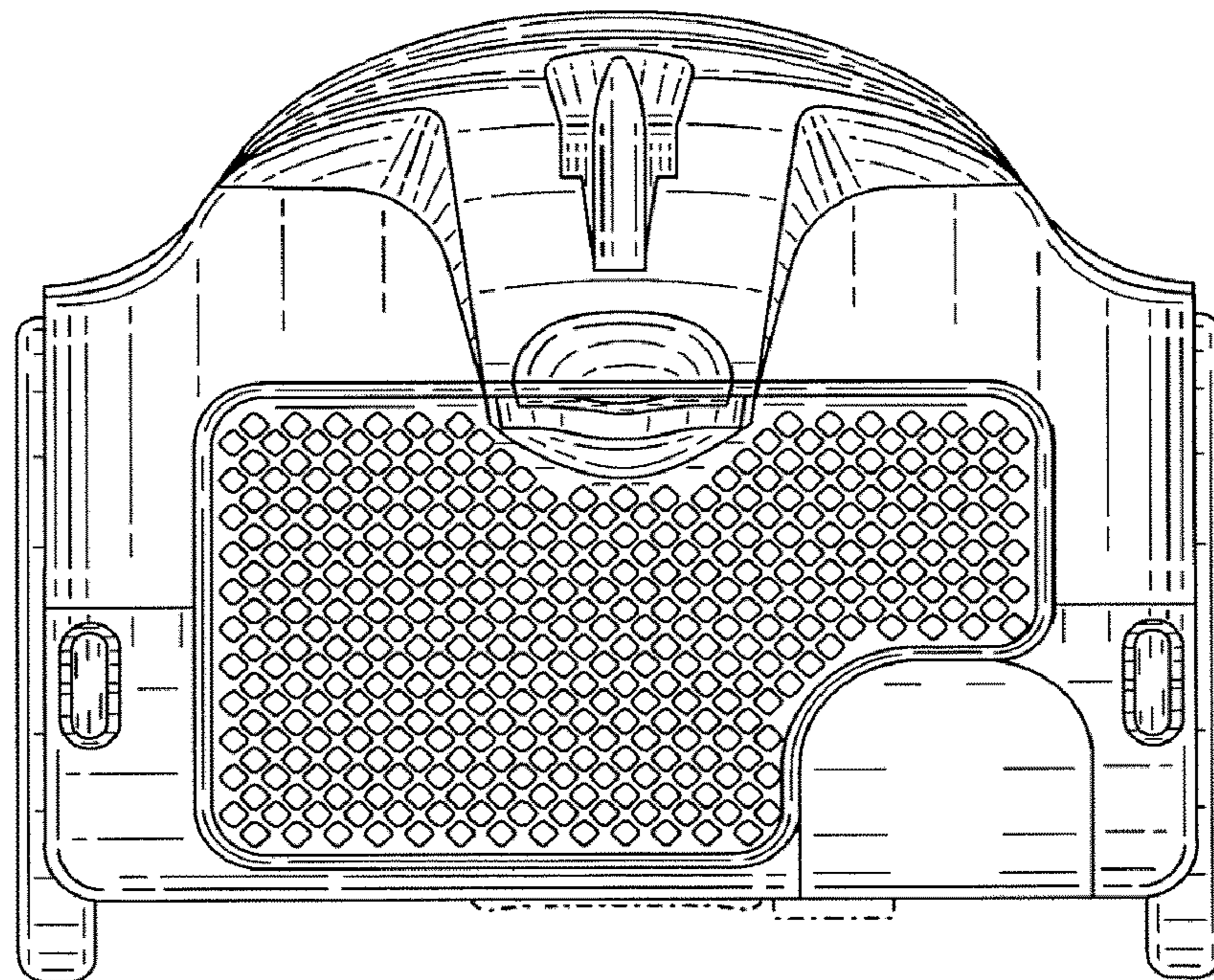


FIG. 3

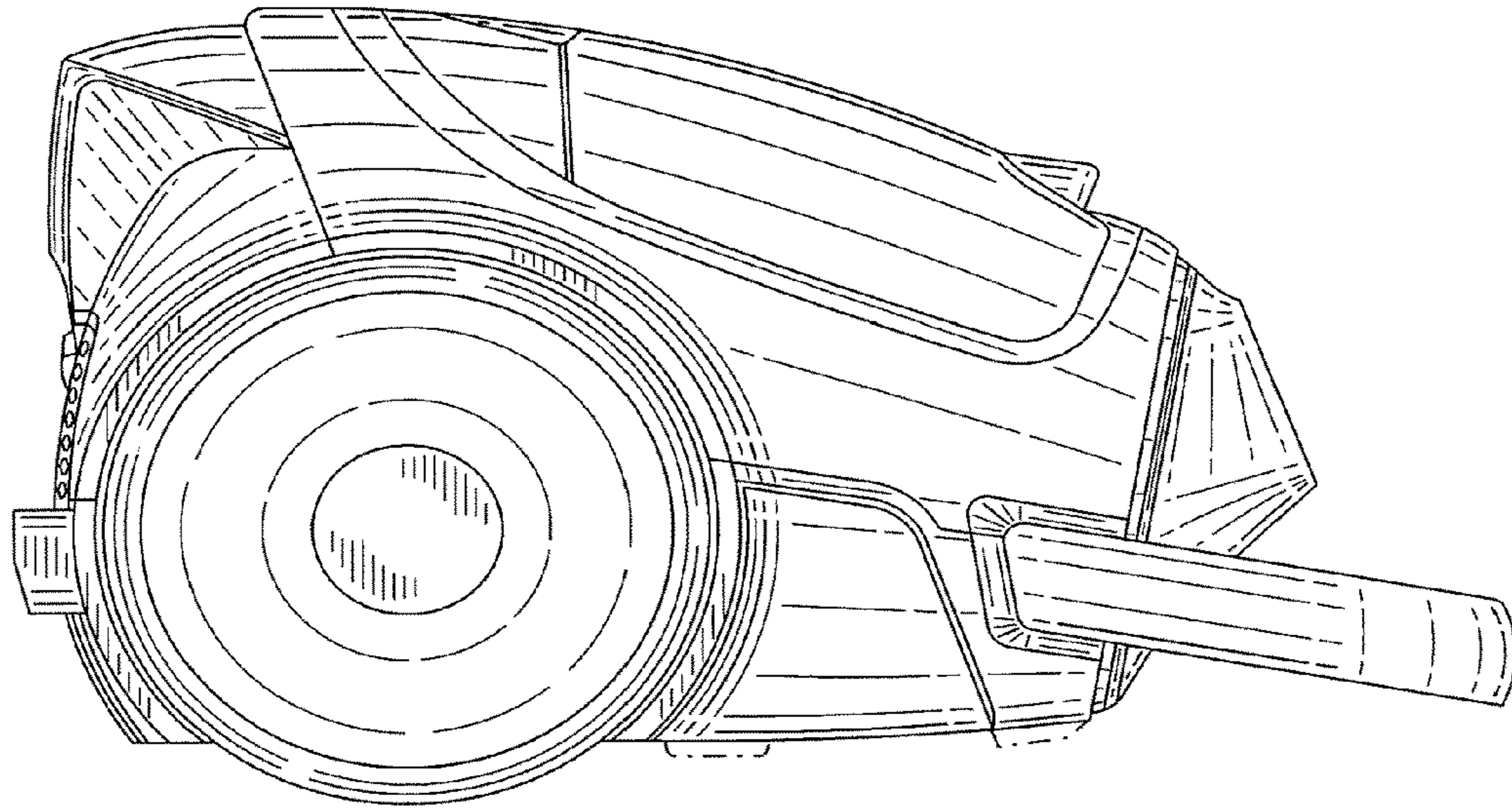


FIG. 4

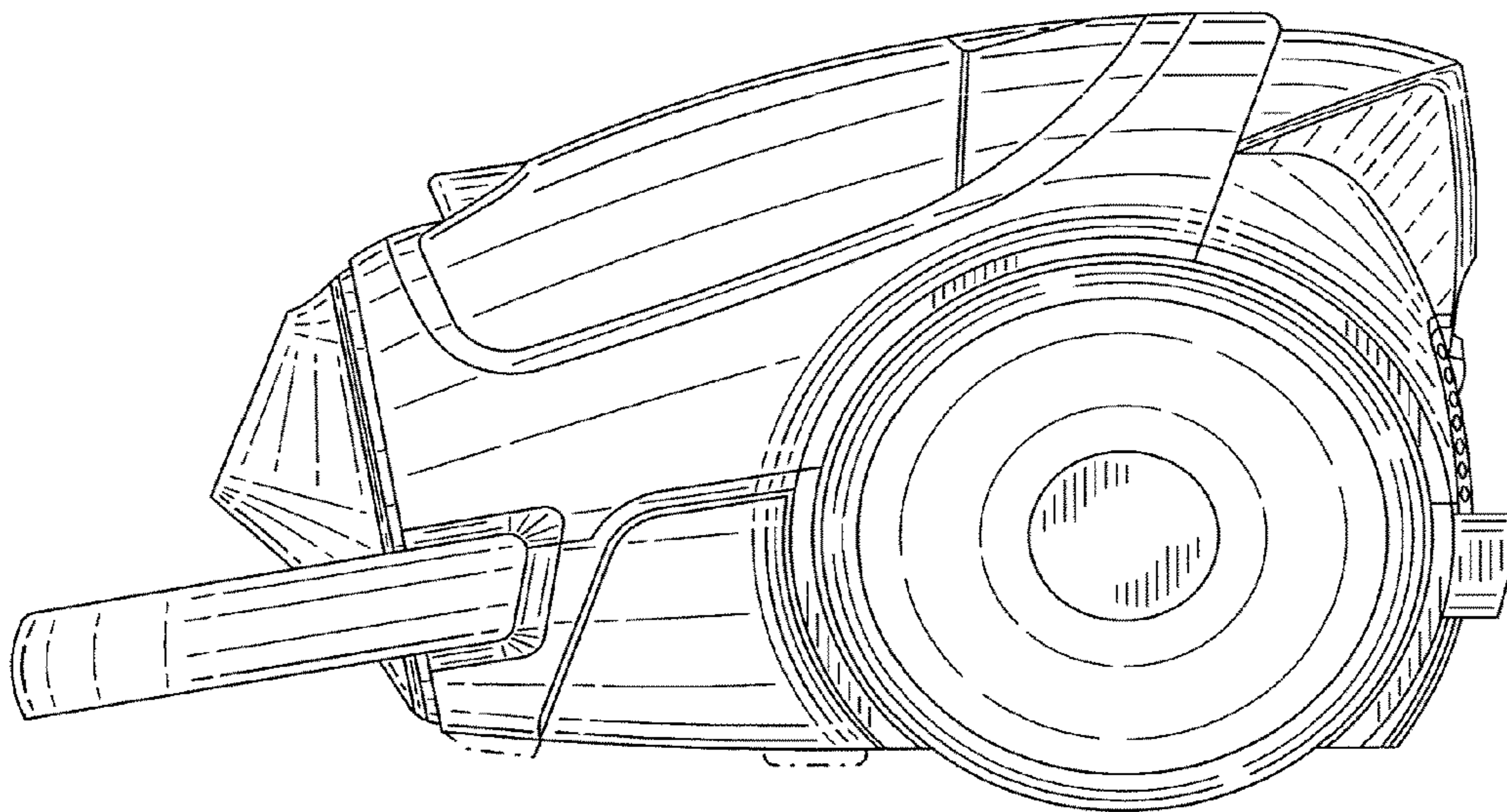


FIG. 5



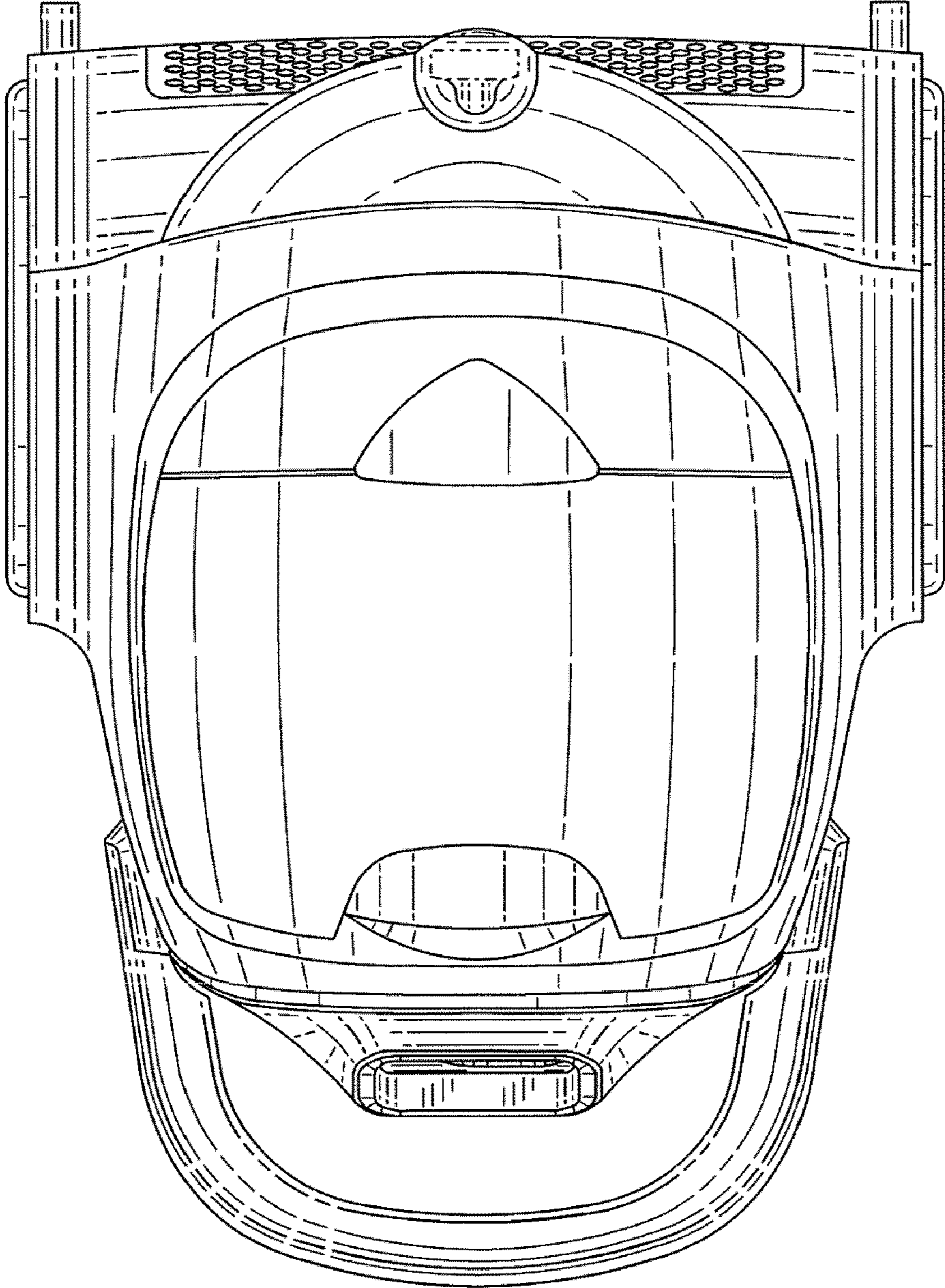


FIG. 6