

US00D664315S

(12) **United States Design Patent**
Choi et al.

(10) **Patent No.:** **US D664,315 S**

(45) **Date of Patent:** **** Jul. 24, 2012**

(54) **VACUUM CLEANER**

(75) Inventors: **Gyoo Sang Choi**, Seoul (KR);
Joo-Hyung Kim, Seoul (KR)

(73) Assignee: **Samsung Electronics Co., Ltd.**,
Suwon-si (KR)

(**) Term: **14 Years**

(21) Appl. No.: **29/383,667**

(22) Filed: **Jan. 20, 2011**

(51) **LOC (9) Cl.** **07-02**

(52) **U.S. Cl.** **D32/21**

(58) **Field of Classification Search** D32/21,
D32/23-24, 30-31; 15/327.1-327, 7, 328,
15/340.1, 340.2, 353, 347, 301, 336, 320,
15/314, 352, 412; 55/447, 337, 345, DIG. 3
See application file for complete search history.

(56) **References Cited**

U.S. PATENT DOCUMENTS

D399,617 S * 10/1998 Fujita D32/21
D417,046 S * 11/1999 Tsuruha et al. D32/21
D506,856 S * 6/2005 Schroter D32/21

D523,194 S * 6/2006 Choi D32/21
D539,492 S * 3/2007 Konno D32/21
D554,308 S * 10/2007 Shin D32/21
D582,109 S * 12/2008 Kim et al. D32/21
D616,619 S * 5/2010 Schroeter D32/21
2011/0209303 A1* 9/2011 Kim 15/347

* cited by examiner

Primary Examiner — Ruth McInroy

(74) *Attorney, Agent, or Firm* — Ladas & Parry LLP

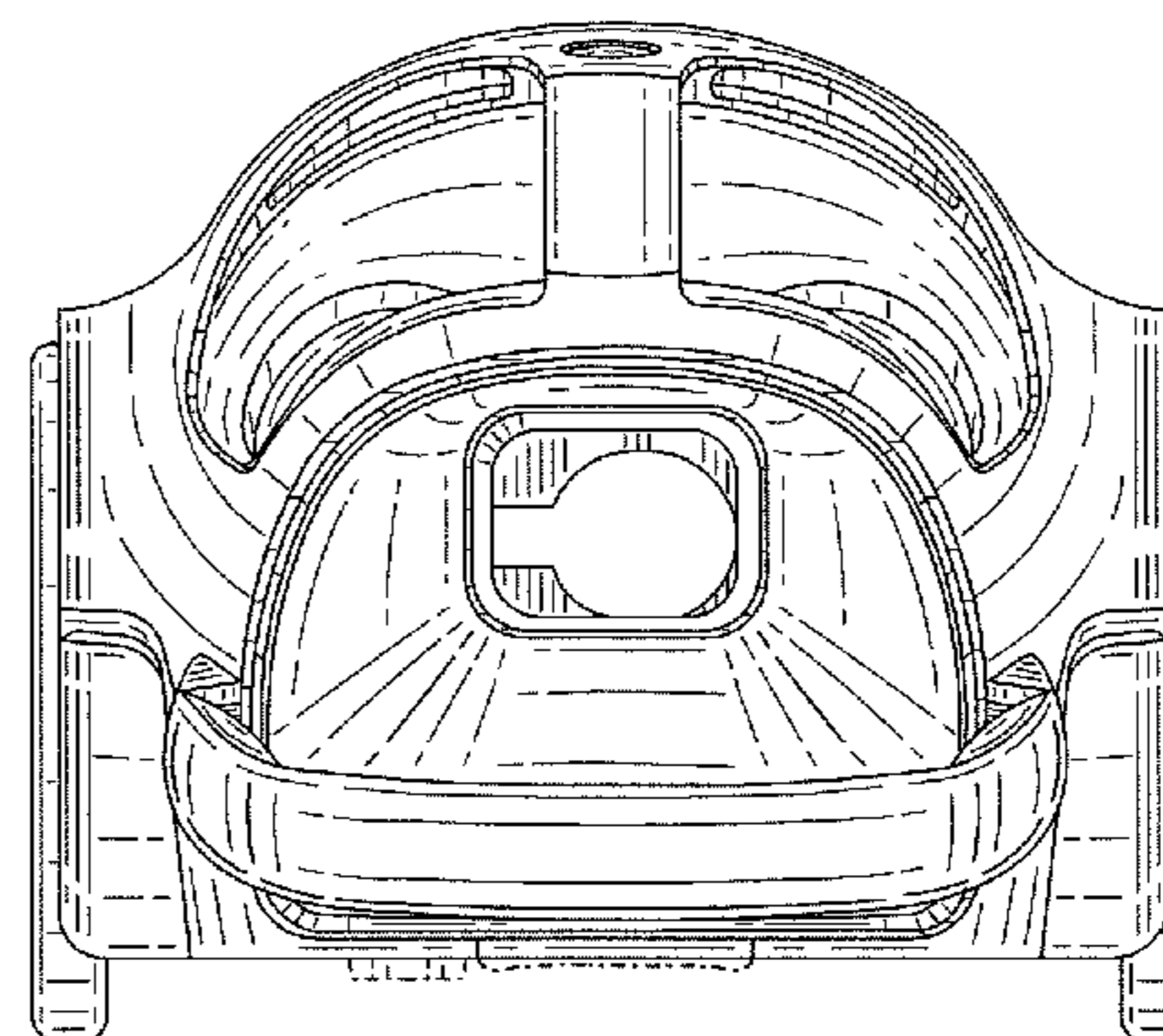
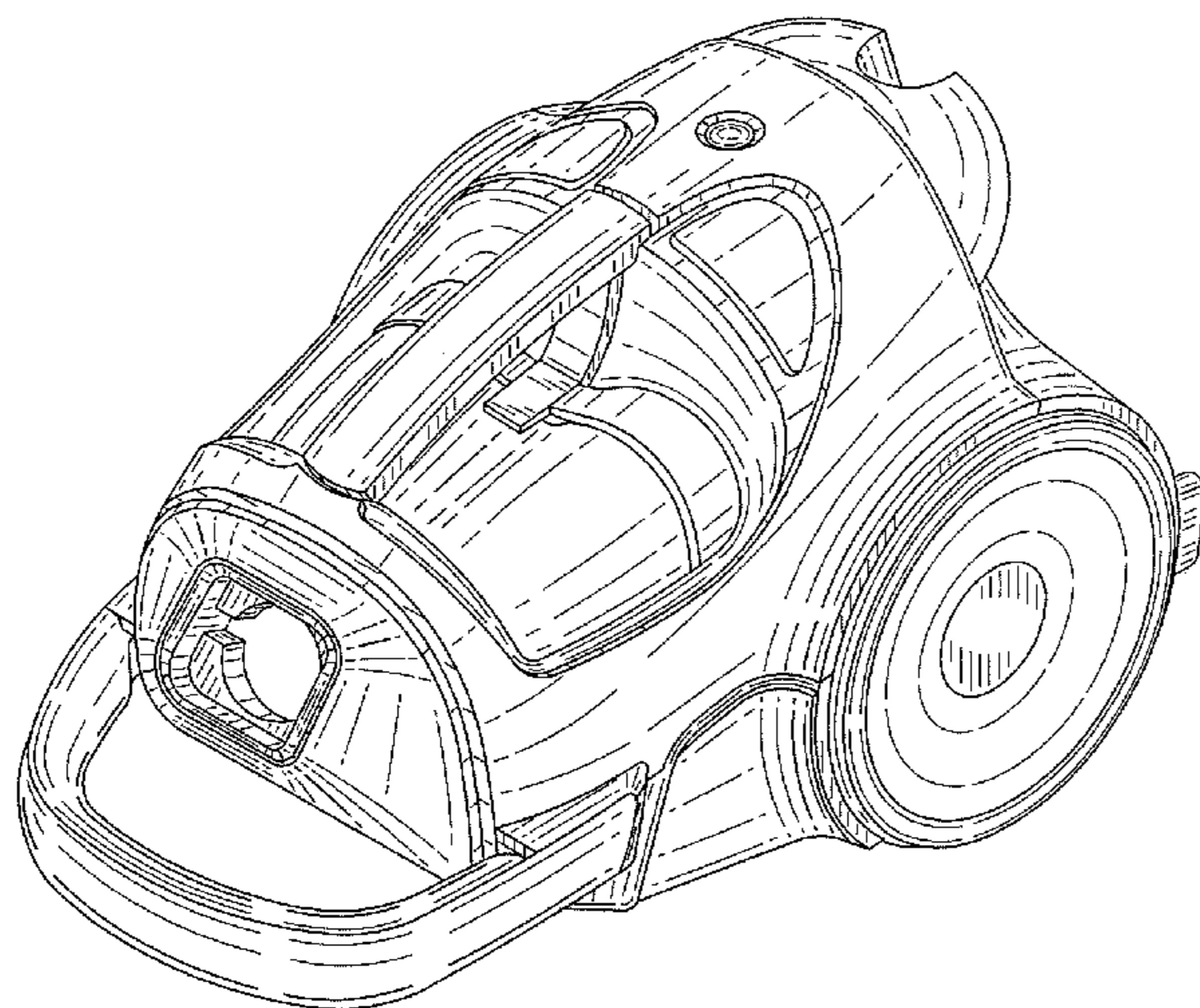
(57) **CLAIM**

We claim the ornamental design for a vacuum cleaner, as shown and described.

DESCRIPTION

FIG. 1 is a top, front and right-side perspective view of a vacuum cleaner showing our new design; FIG. 2 is a front elevational view thereof; FIG. 3 is a rear elevational view thereof; FIG. 4 is a left-side elevational view thereof; FIG. 5 is a right-side elevational view thereof; and, FIG. 6 is a top plan view thereof.

1 Claim, 6 Drawing Sheets



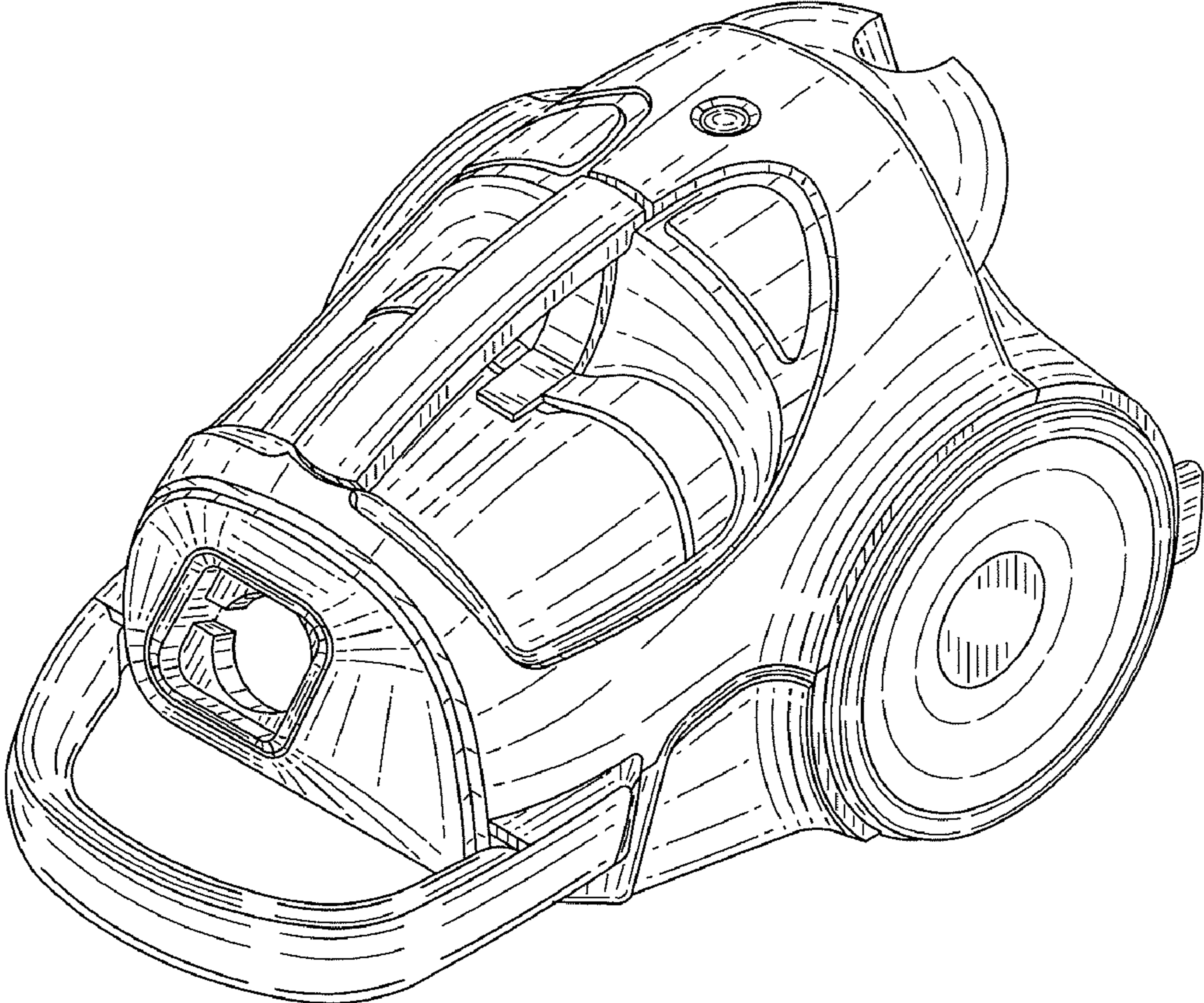


FIG. 1

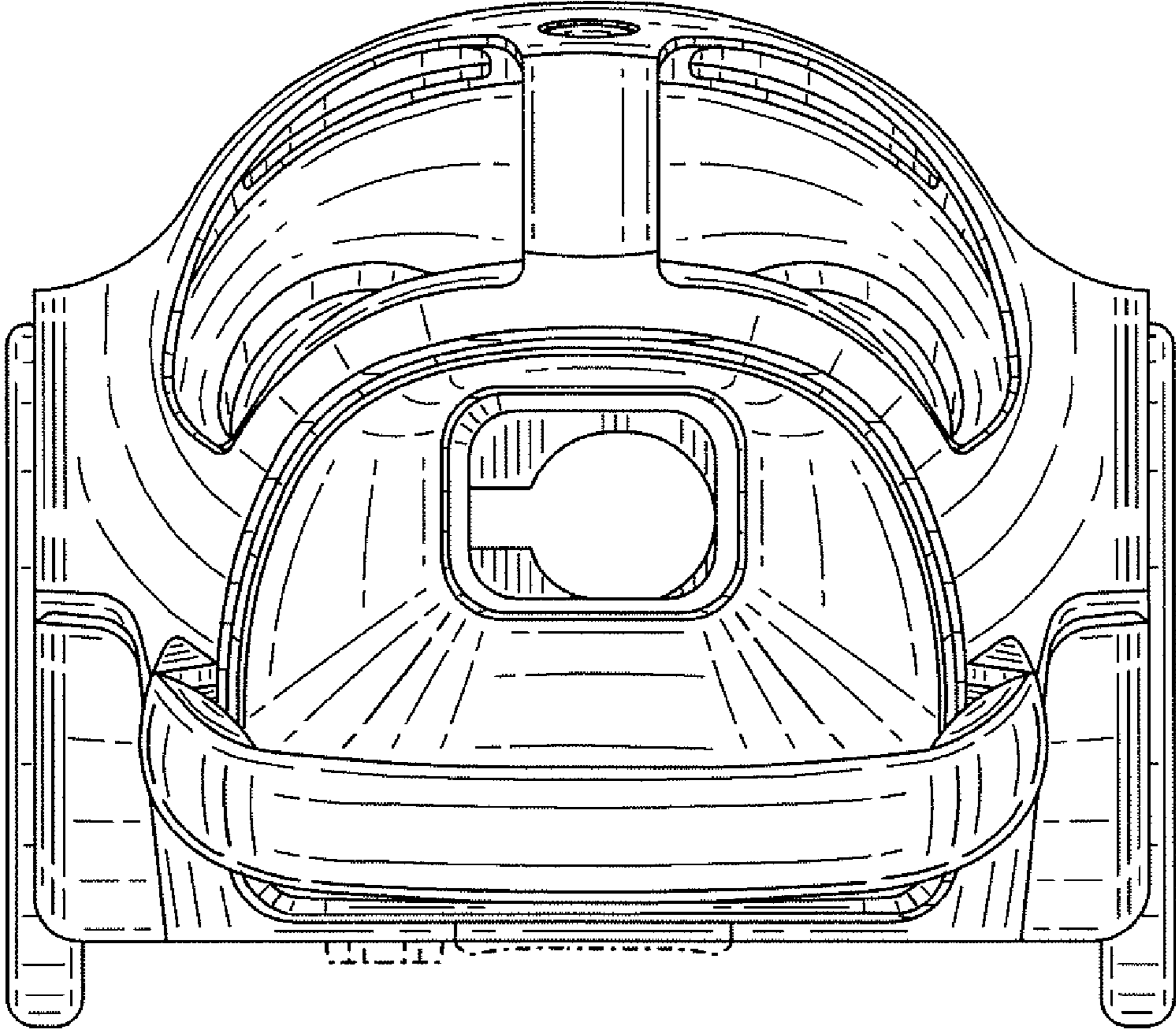


FIG. 2

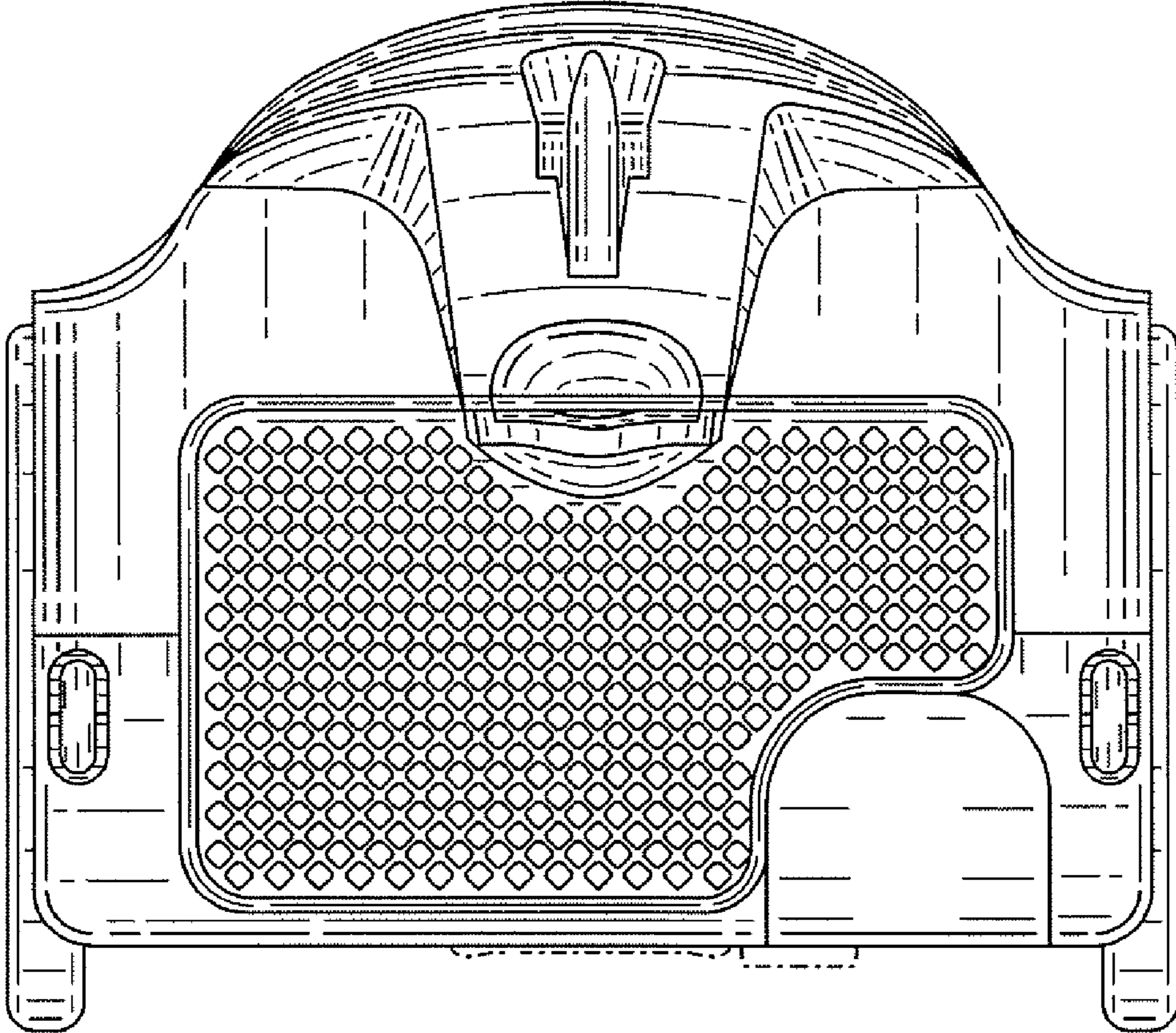


FIG. 3

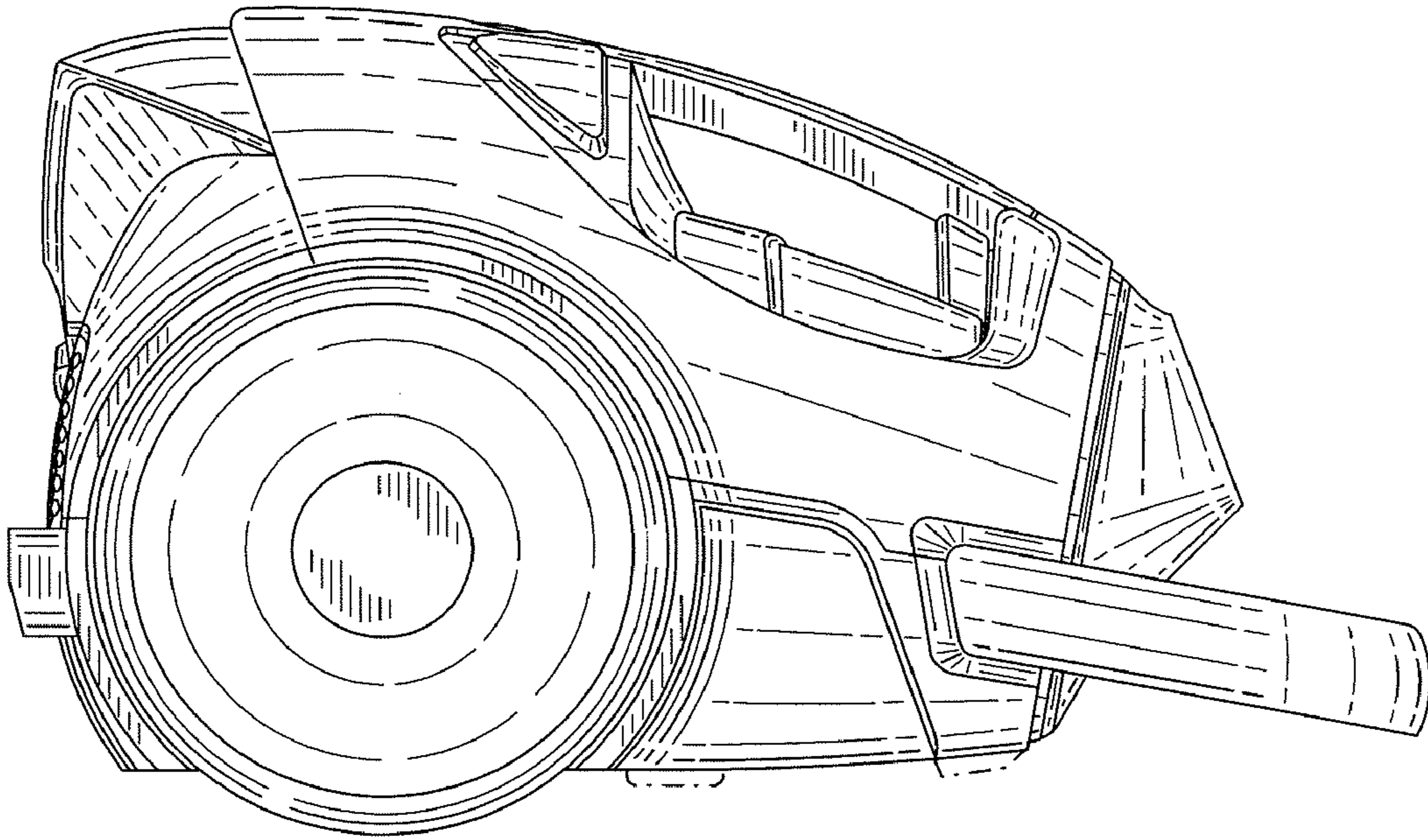


FIG. 4

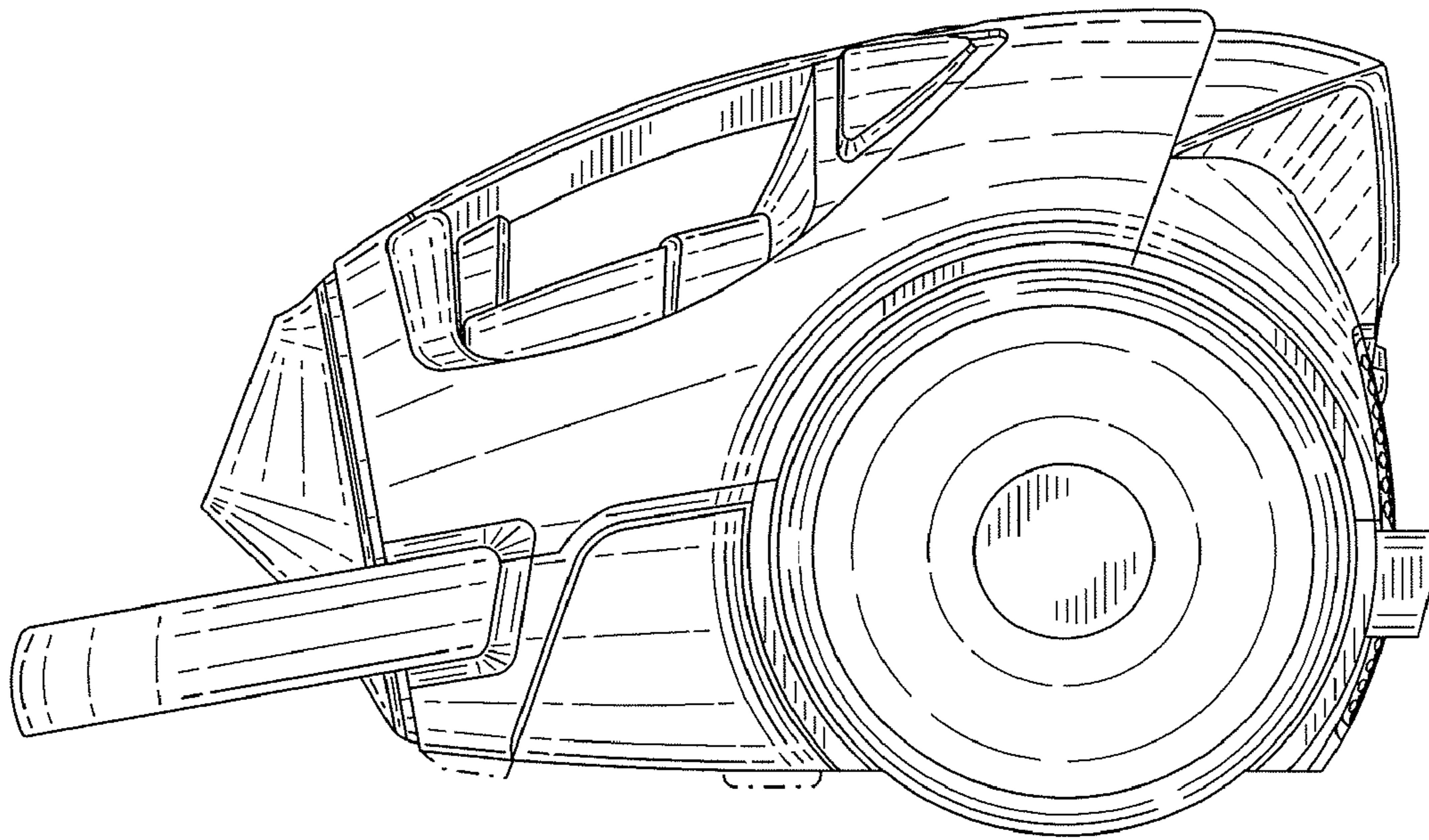


FIG. 5

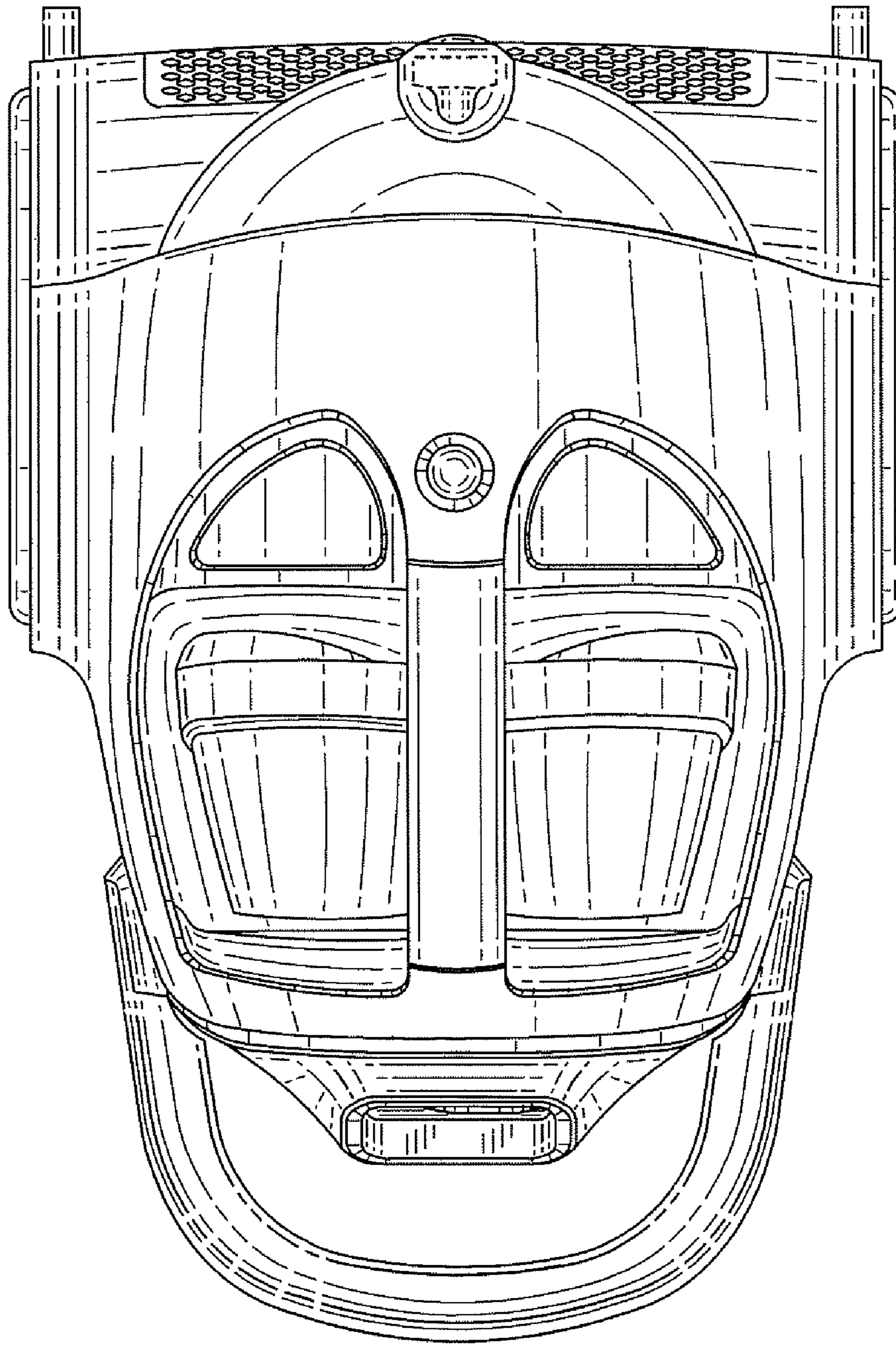


FIG. 6