

US00D664313S

(12) **United States Design Patent**  
**Chung et al.**

(10) **Patent No.:** **US D664,313 S**  
(45) **Date of Patent:** **\*\* Jul. 24, 2012**

(54) **WASHING MACHINE**

(75) Inventors: **Wookjun Chung**, Seoul (KR); **Jonghee Han**, Gyeonggi-do (KR); **Jeaseok Seong**, Gyeonggi-do (KR); **Yoonsang Kim**, Seoul (KR); **Kyungah Lee**, Gyeonggi-do (KR)

(73) Assignee: **LG Electronics Inc.**, Seoul (KR)

(\*\*) Term: **14 Years**

(21) Appl. No.: **29/409,929**

(22) Filed: **Dec. 30, 2011**

(30) **Foreign Application Priority Data**

Jul. 6, 2011 (KR) ..... 30-2011-0028194

(51) **LOC (9) Cl.** ..... **15-05**

(52) **U.S. Cl.** ..... **D32/6**

(58) **Field of Classification Search** ..... D32/1,  
D32/5-6, 8, 10; 68/3 R, 5 R, 12.01, 12.07-12.08;  
34/87-88, 523-524; 312/31

See application file for complete search history.

(56) **References Cited**

**U.S. PATENT DOCUMENTS**

D178,260 S \* 7/1956 Perl et al. .... D32/6  
D193,066 S \* 6/1962 Dreyfuss et al. .... D32/6  
D465,307 S \* 11/2002 Du et al. .... D32/6  
D496,513 S \* 9/2004 Tsuda et al. .... D32/8

D515,256 S \* 2/2006 Tsuda et al. .... D32/5  
D520,193 S \* 5/2006 Yokoyama ..... D32/5  
D554,306 S \* 10/2007 Nam ..... D32/6  
D585,165 S \* 1/2009 Kim et al. .... D32/6  
D614,366 S \* 4/2010 Shor ..... D32/6  
D627,529 S \* 11/2010 Jeon et al. .... D32/6  
D633,262 S \* 2/2011 Jeon et al. .... D32/6  
D642,753 S \* 8/2011 Ha ..... D32/6

\* cited by examiner

*Primary Examiner* — T. Chase Nelson

*Assistant Examiner* — Kathleen M Sims

(74) *Attorney, Agent, or Firm* — Morgan, Lewis & Bockius LLP

(57) **CLAIM**

The ornamental design for a washing machine, as shown and described.

**DESCRIPTION**

FIG. 1 is a front, right side, perspective view of a washing machine showing our new design;  
FIG. 2 is a front view thereof;  
FIG. 3 is a rear view thereof;  
FIG. 4 is a left side view thereof;  
FIG. 5 is a right side view thereof;  
FIG. 6 is a top view thereof; and,  
FIG. 7 is a bottom view thereof.

The broken line showing of rear details in FIG. 3 is included for the purpose of showing environmental portions of the washing machine and forms no part of the claimed design.

**1 Claim, 6 Drawing Sheets**

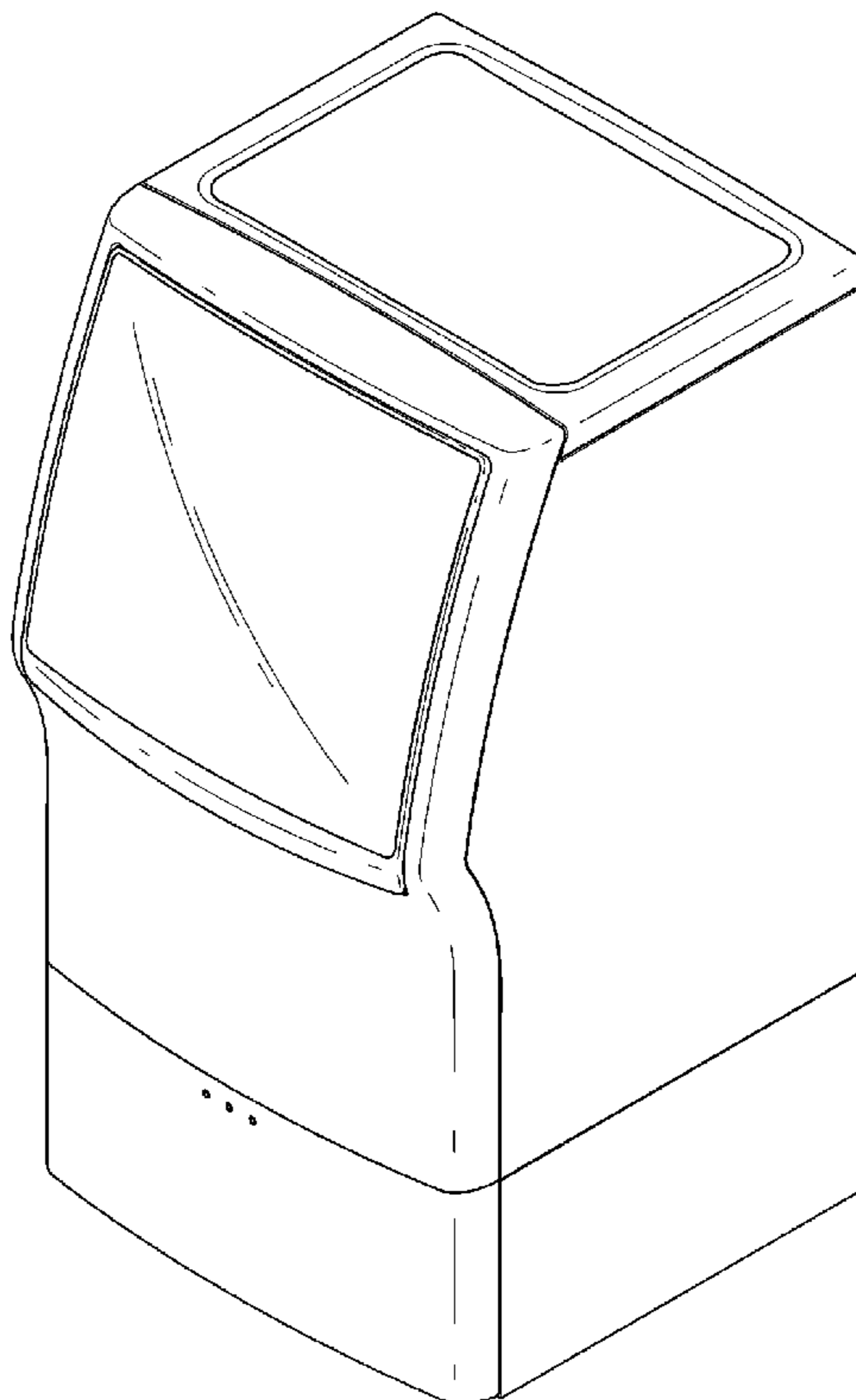


FIG. 1

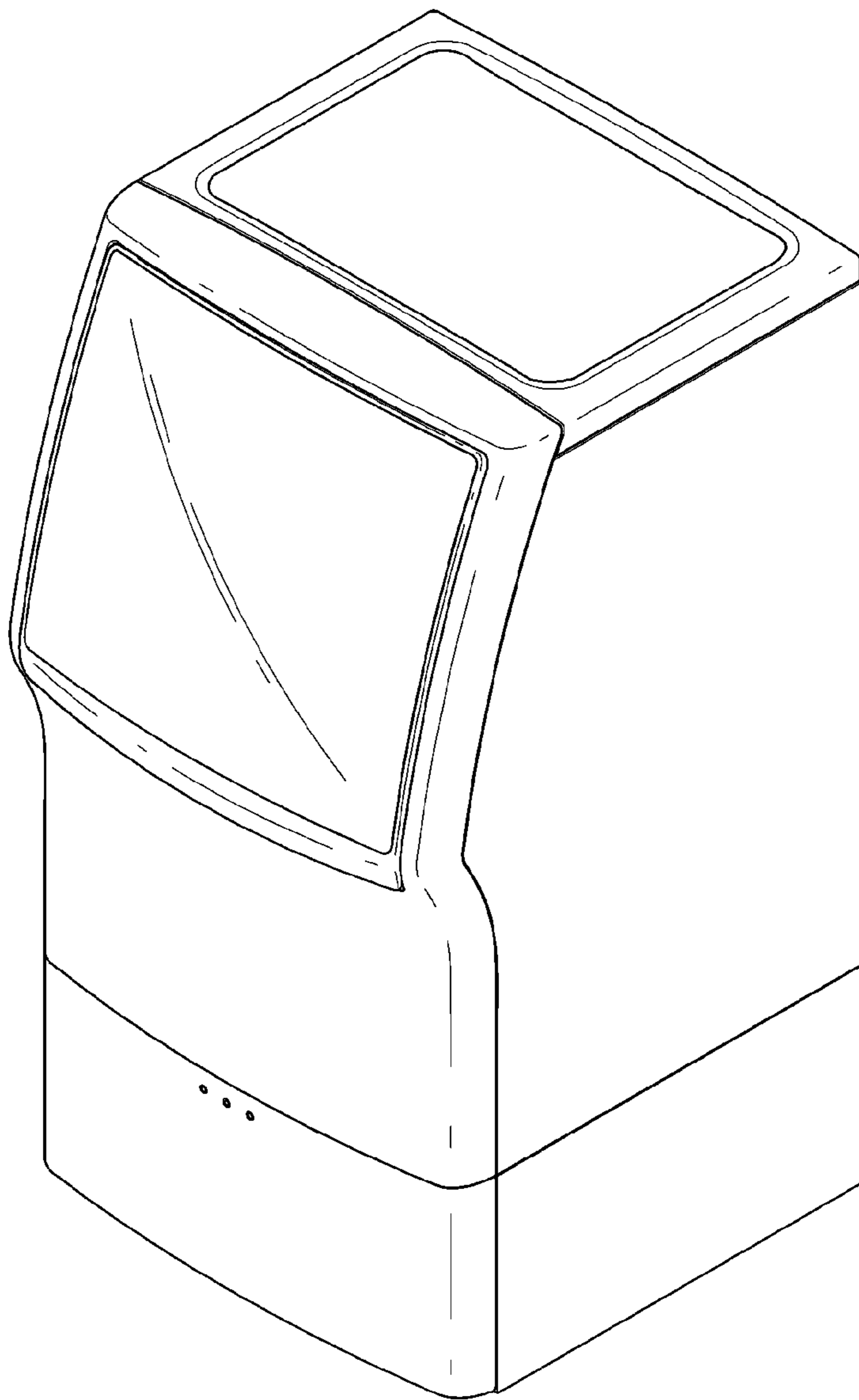


FIG. 2

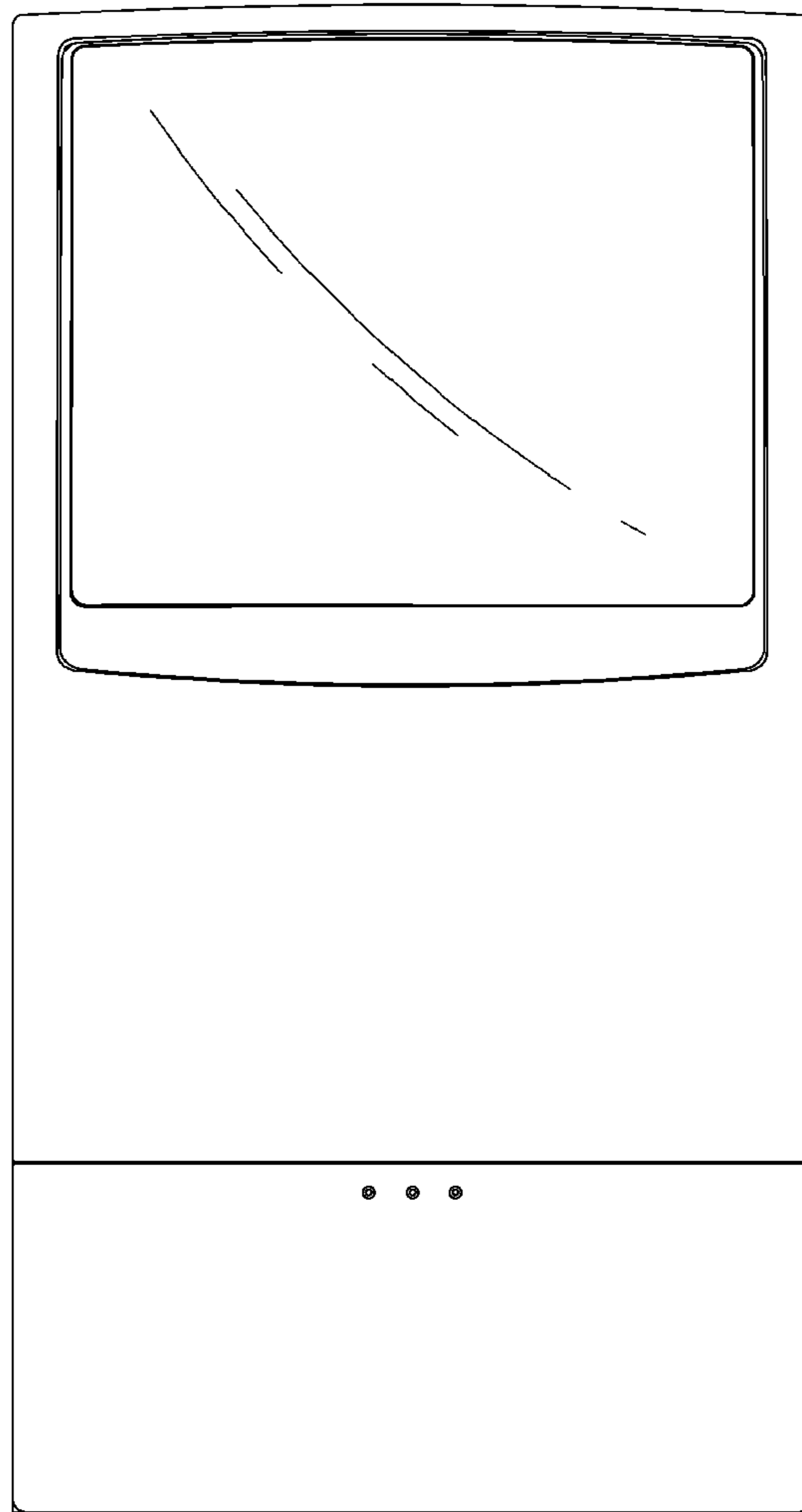


FIG. 3

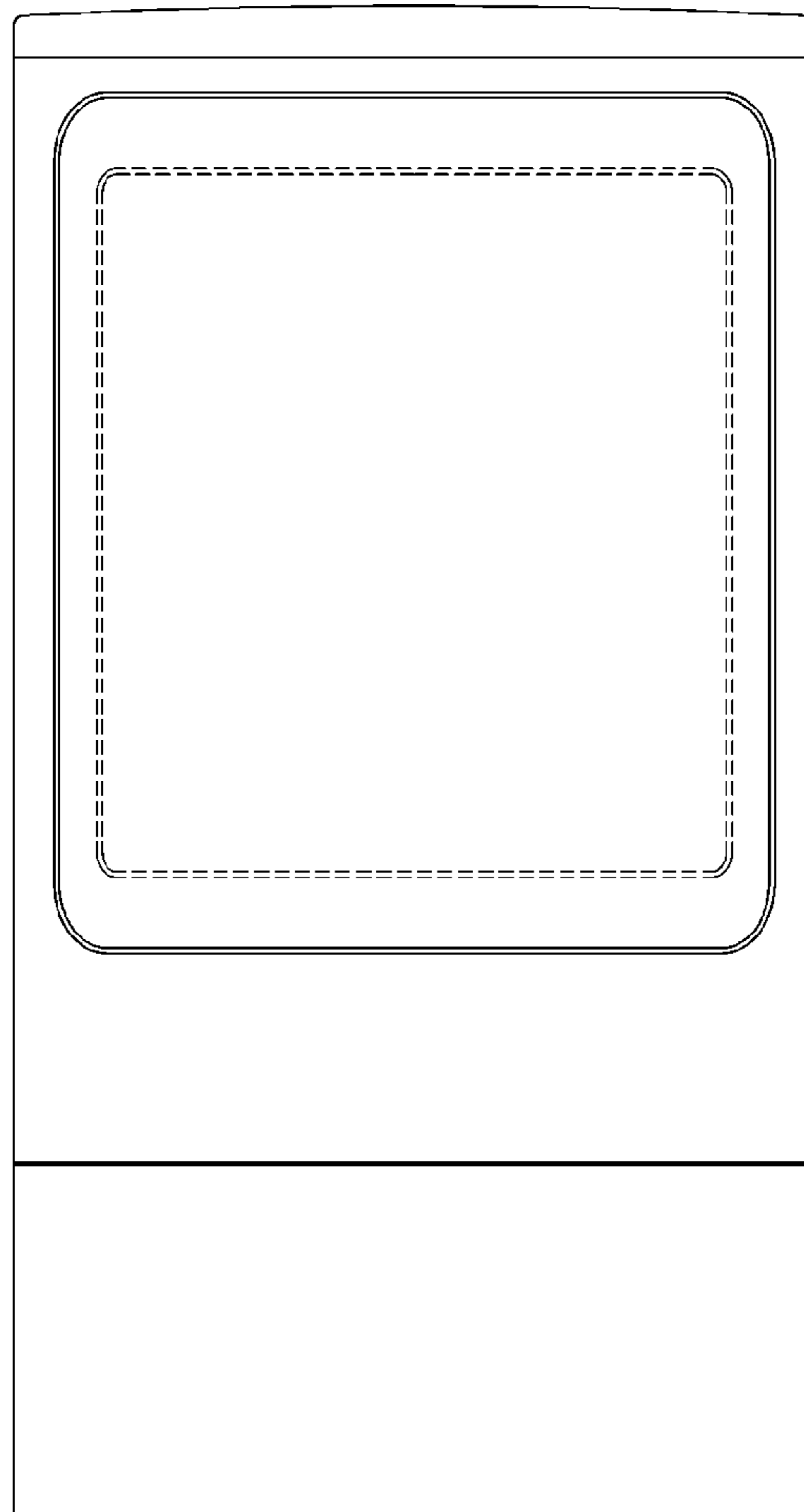


FIG. 4

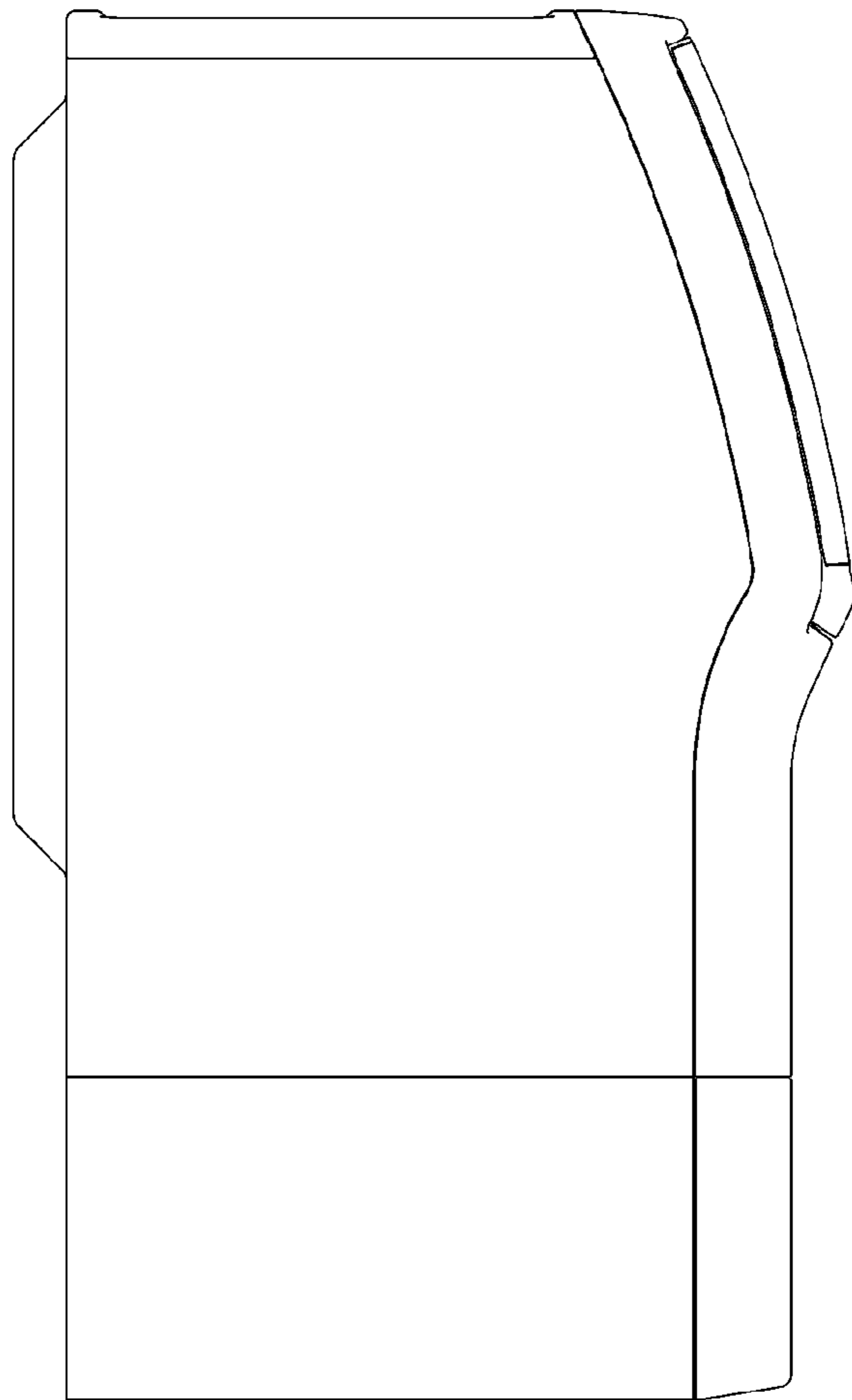


FIG. 5

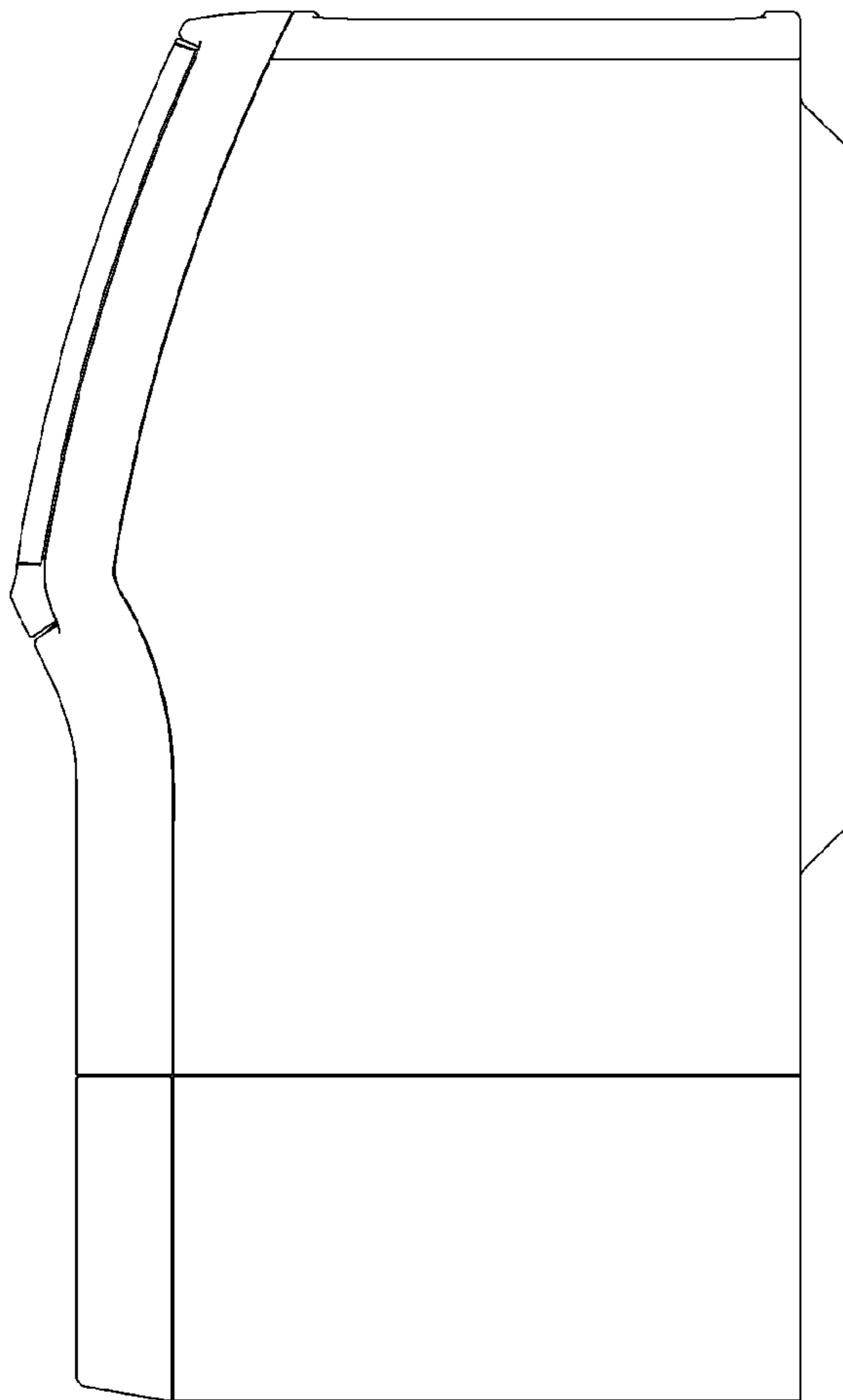


FIG. 6

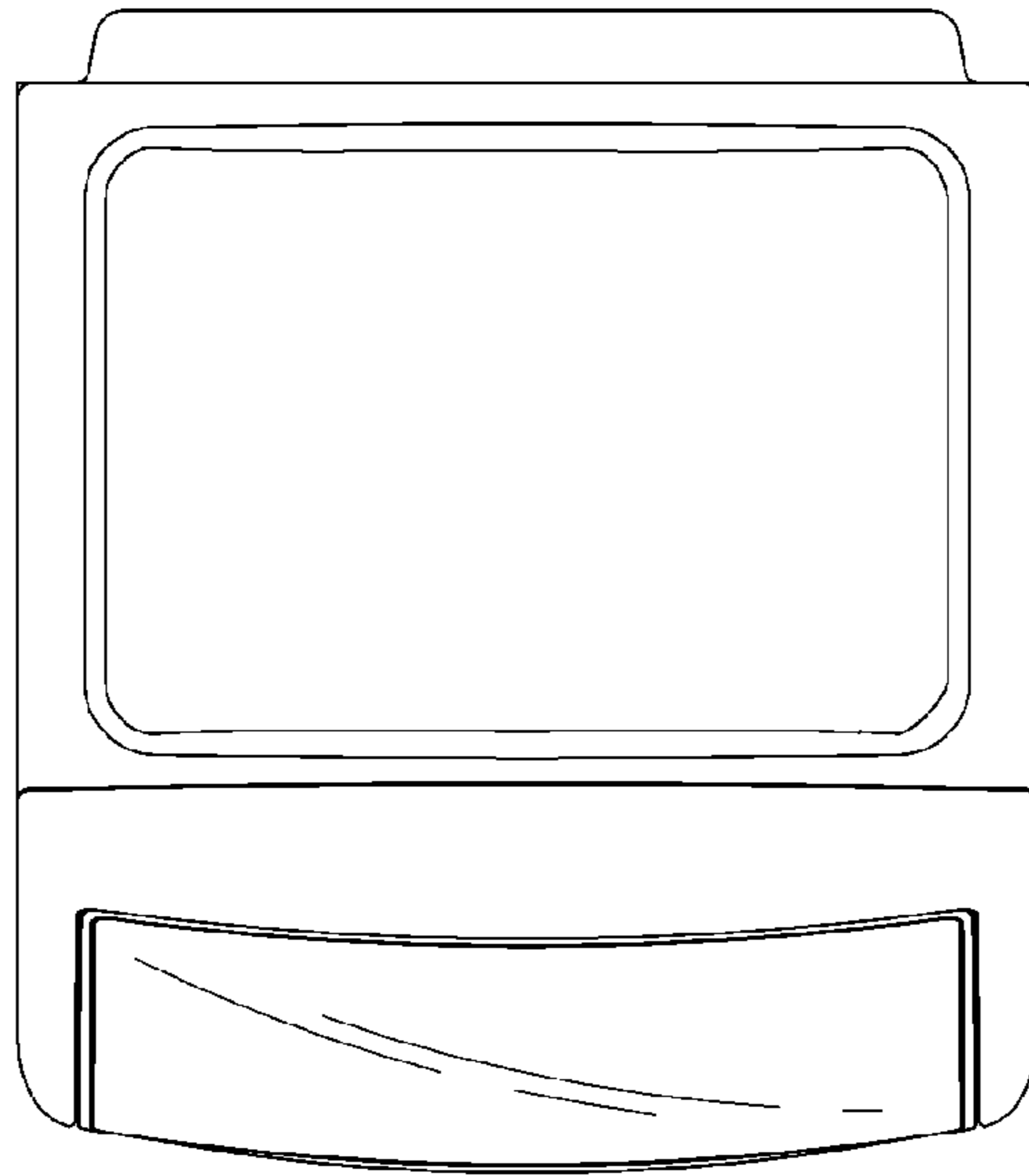


FIG. 7

