



US00D664312S

(12) **United States Design Patent**  
**Bizzle**

(10) **Patent No.:** **US D664,312 S**

(45) **Date of Patent:** **\*\* Jul. 24, 2012**

(54) **CAT LITTER BOX ENCLOSURE**  
(76) Inventor: **Lori A. Bizzle**, Midland, TX (US)  
(\*\*) Term: **14 Years**  
(21) Appl. No.: **29/383,127**

D425,674 S \* 5/2000 Dykens ..... D30/112  
6,415,738 B1 \* 7/2002 Hotter ..... 119/165  
D473,351 S \* 4/2003 Critchley ..... D30/161  
D473,353 S \* 4/2003 Neves ..... D30/161  
D479,370 S \* 9/2003 Neves ..... D30/161  
D483,158 S \* 12/2003 Ward ..... D30/161  
D491,700 S \* 6/2004 Abajian ..... D30/161

(Continued)

(22) Filed: **Jan. 12, 2011**  
(51) **LOC (9) Cl.** ..... **30-01**  
(52) **U.S. Cl.** ..... **D30/161**  
(58) **Field of Classification Search** ..... D30/108,  
D30/110-112, 114, 117-118, 124-125, 161;  
D21/506-510; 119/28.5, 52.3, 57.8-57.9,  
119/161, 478, 163-170, 302, 444, 428-431,  
119/433-435, 452-453, 468-469, 481-482,  
119/484, 490, 494, 500, 707, 710, 496-497;  
446/476, 478, 490, 109-110

See application file for complete search history.

*Primary Examiner* — T. Chase Nelson  
*Assistant Examiner* — Michelle E Wilson  
(74) *Attorney, Agent, or Firm* — Thompson Coburn LLP

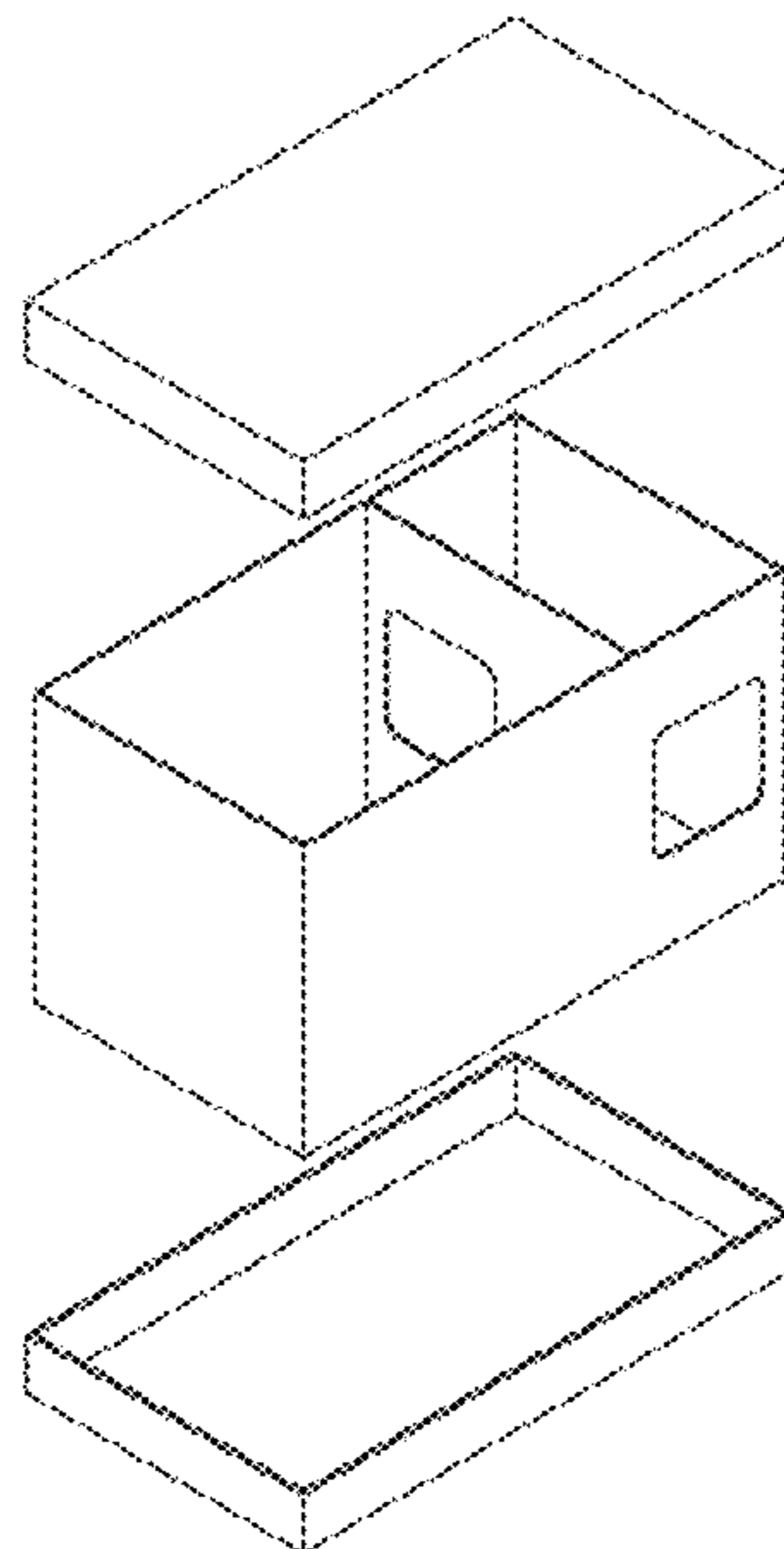
(57) **CLAIM**  
The ornamental design of a cat litter box enclosure, as shown and described.

**DESCRIPTION**

FIG. 1 is an exploded perspective view of the cat litter box enclosure design of the invention, showing the front, top, and left sides of the cat litter box enclosure.  
FIG. 2 is an exploded perspective view of the cat litter box enclosure design shown in FIG. 1, showing the front, top, and right sides of the cat litter box enclosure.  
FIG. 3 is an exploded perspective view of the cat litter box enclosure design shown in FIGS. 1 and 2, showing the front, bottom, and left sides of the cat litter box enclosure.  
FIG. 4 is an exploded perspective view of the cat litter box enclosure design shown in FIGS. 1-3, showing the front, bottom, and right sides of the cat litter box enclosure.  
FIG. 5 is a front elevation view of the cat litter box enclosure design shown in FIGS. 1-4.  
FIG. 6 is a right elevation view of the cat litter box enclosure design shown in FIGS. 1-5, the left elevation view being a mirror image thereof; and,  
FIG. 7 is a back elevation view of the cat litter box enclosure design shown in FIGS. 1-6.

(56) **References Cited**  
U.S. PATENT DOCUMENTS  
D80,178 S \* 12/1929 Kidwell ..... D9/636  
D104,059 S \* 4/1937 Bensel ..... D9/636  
D230,285 S \* 2/1974 Dilley ..... D30/161  
3,793,989 A \* 2/1974 Clark ..... 119/165  
3,885,523 A \* 5/1975 Coleman  
D276,752 S \* 12/1984 Kinzie ..... D30/161  
D298,672 S \* 11/1988 Herbst ..... D30/161  
4,976,218 A \* 12/1990 Cirami  
D319,115 S \* 8/1991 White ..... D30/112  
5,148,768 A \* 9/1992 Hinton ..... 119/500  
D335,904 S \* 5/1993 Krebs ..... D21/511  
D344,770 S \* 3/1994 Swiderski ..... D21/511  
D347,304 S \* 5/1994 Hellem ..... D30/161  
5,337,700 A \* 8/1994 Toft ..... 119/168  
5,361,725 A \* 11/1994 Baillie et al.  
D377,406 S \* 1/1997 McKinstry ..... D30/108  
D377,549 S \* 1/1997 Long et al. .... D30/161  
D388,910 S \* 1/1998 Willinger et al. .... D30/108  
D396,734 S \* 8/1998 Koneke ..... D30/108

**1 Claim, 5 Drawing Sheets**



# US D664,312 S

Page 2

---

## U.S. PATENT DOCUMENTS

6,945,193	B1	9/2005	Tanner et al.			
D601,312	S *	9/2009	Pettys .....	D30/161	2005/0103277	A1 5/2005 Helou
D622,913	S *	8/2010	Schroeder et al. ....	D30/161	2009/0064939	A1 3/2009 Cirincione et al.
2003/0075115	A1	4/2003	Thompson		2009/0126642	A1* 5/2009 Coccia et al. .... 119/165

\* cited by examiner

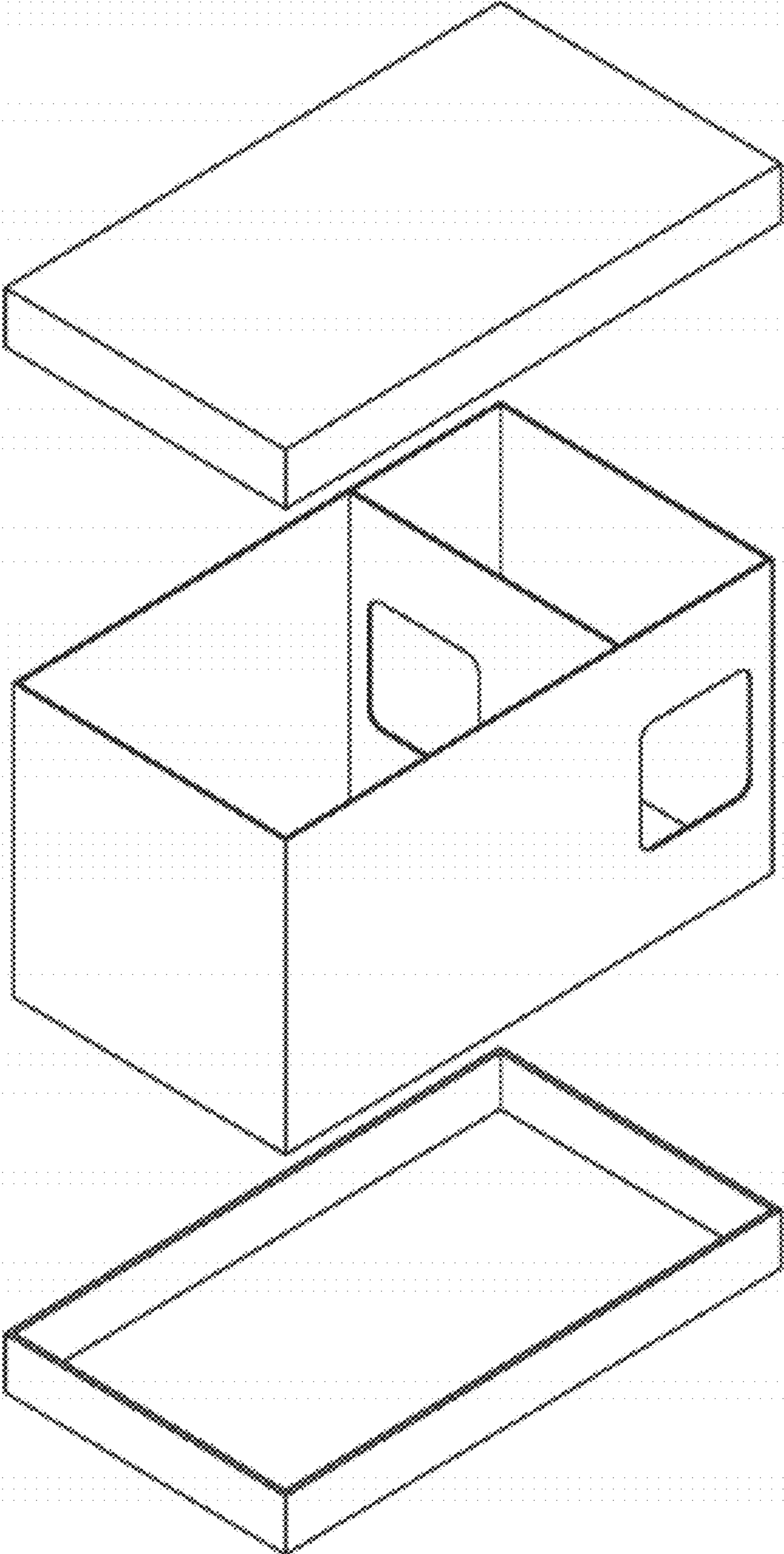


FIG. 1

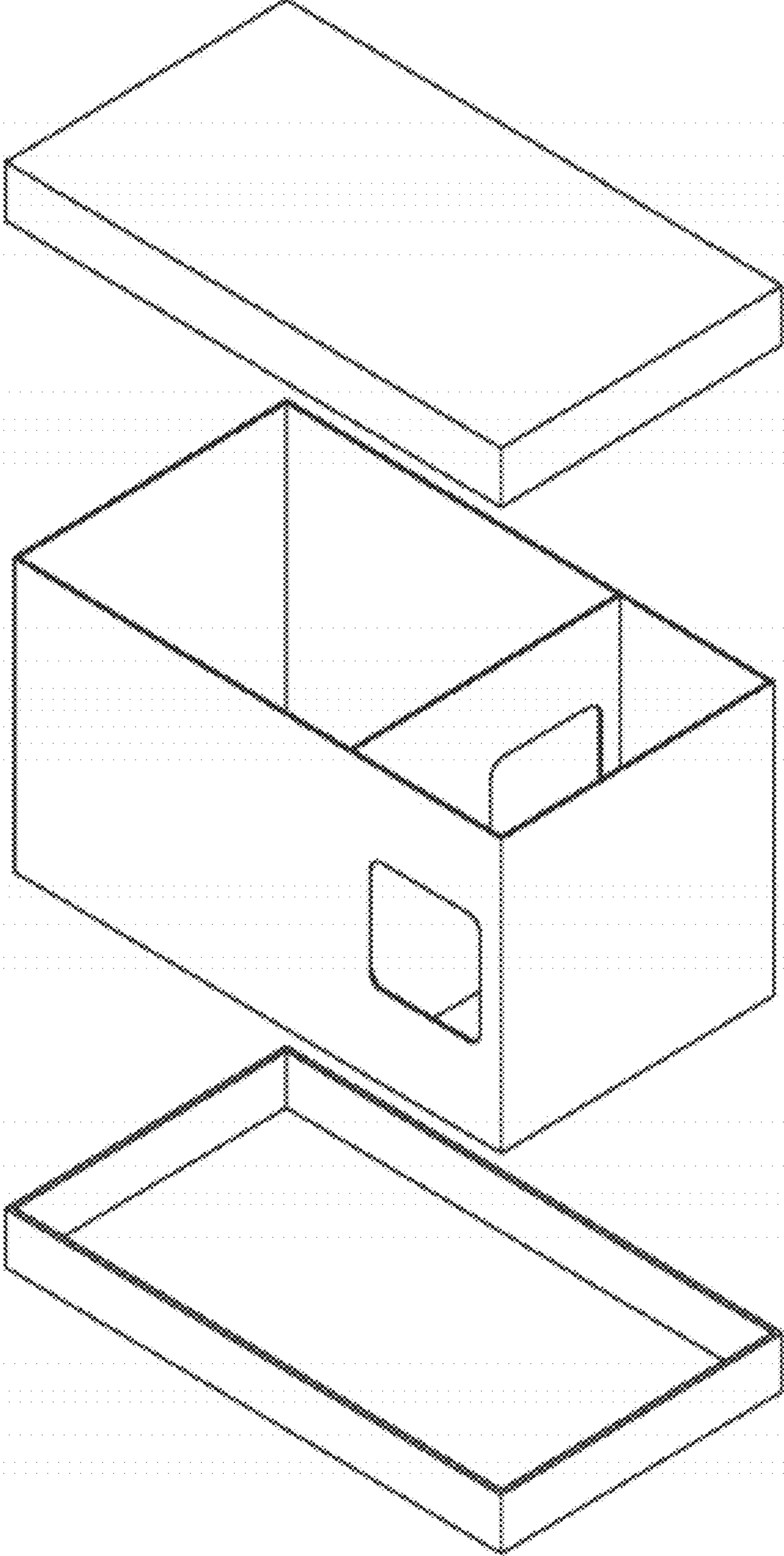


FIG. 2



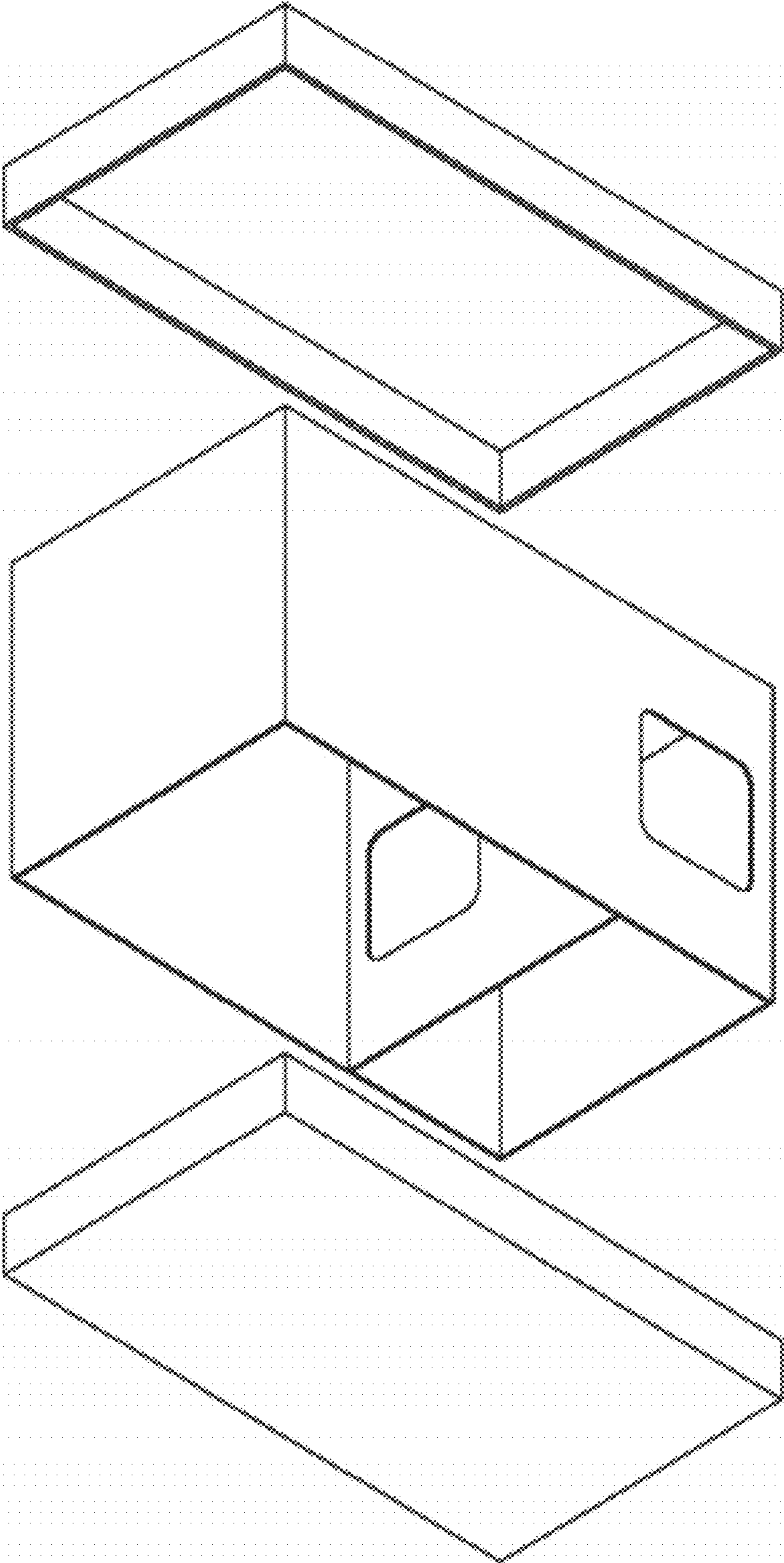


FIG. 3

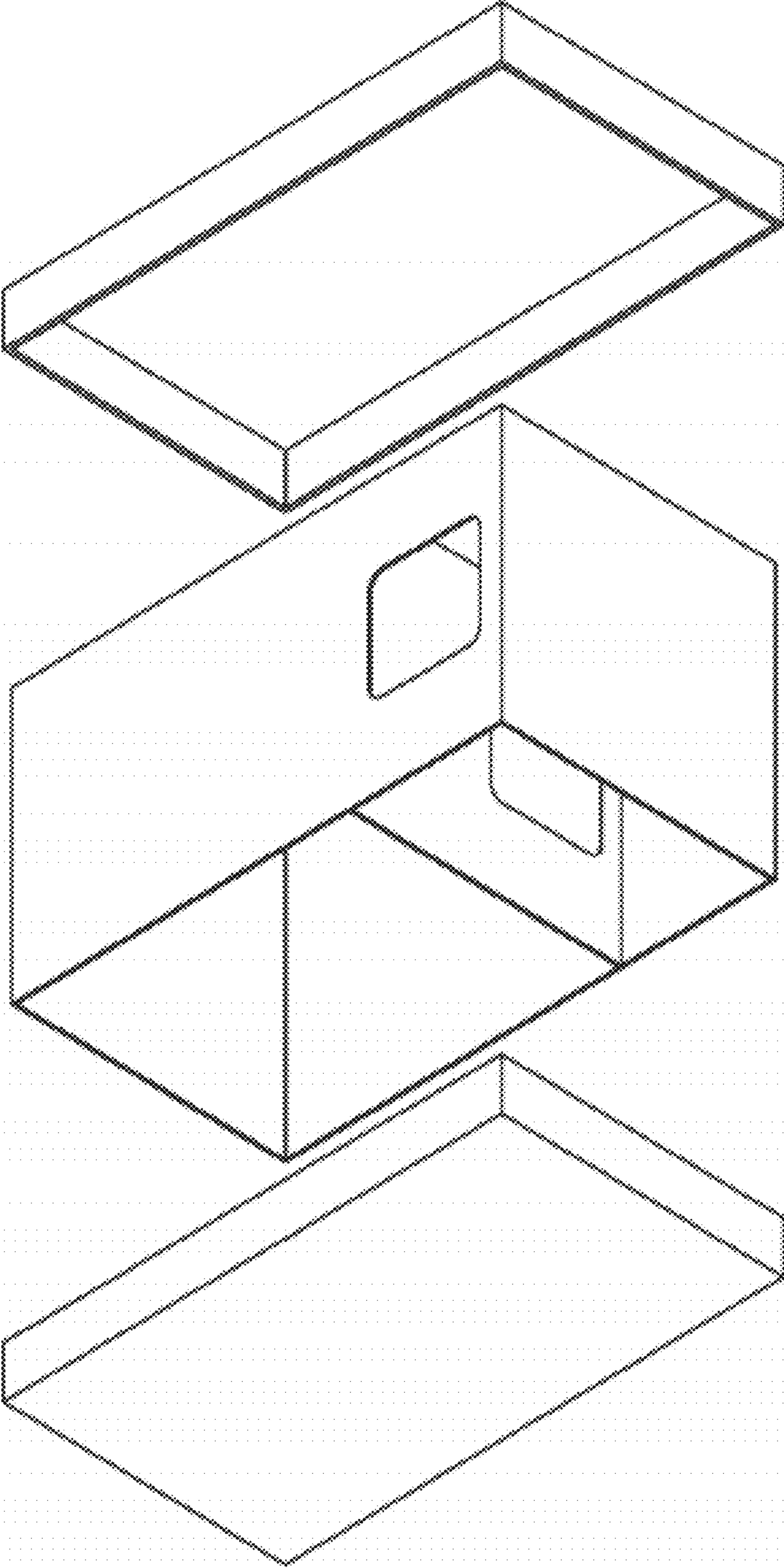


FIG. 4

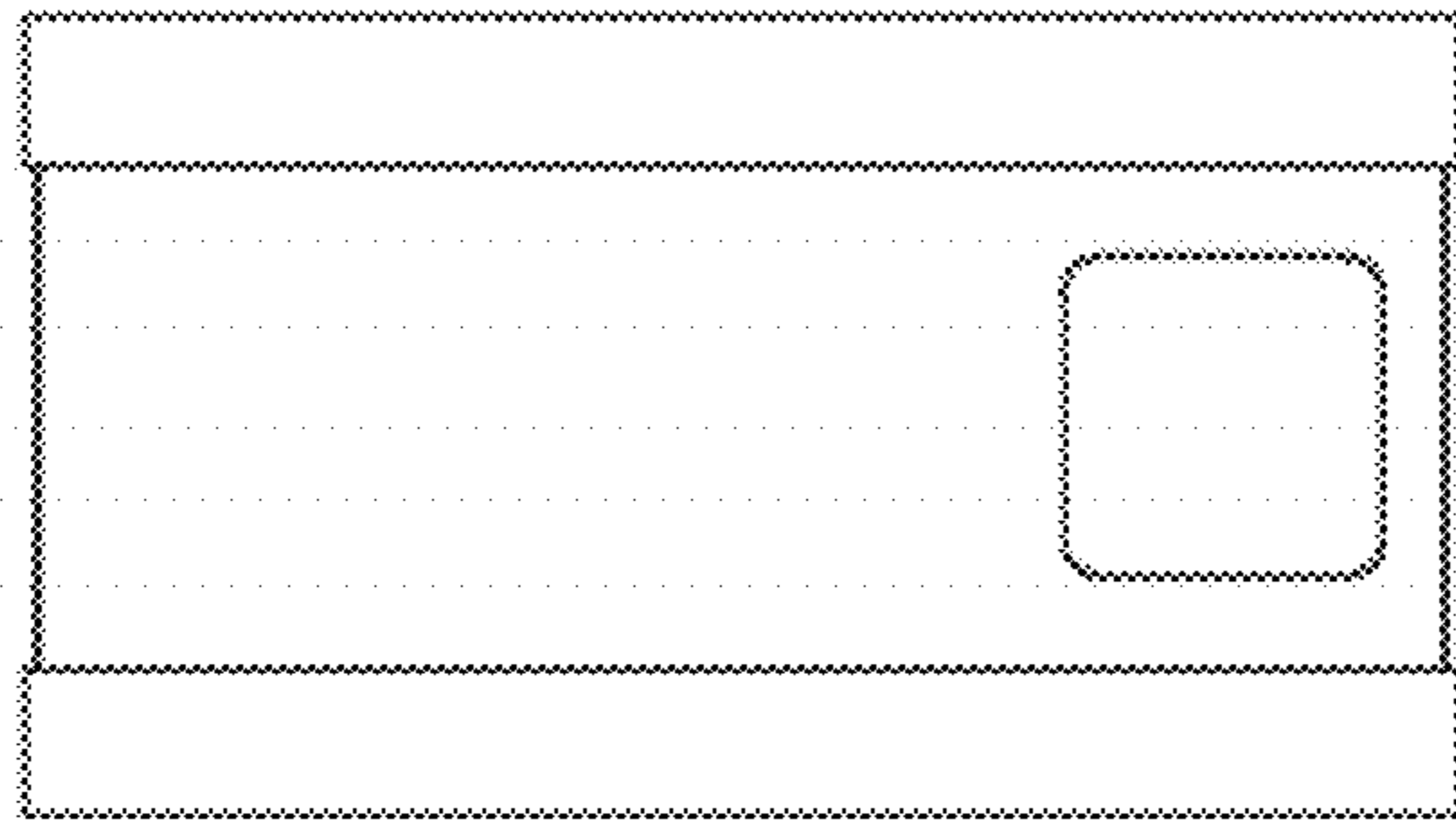


FIG. 5

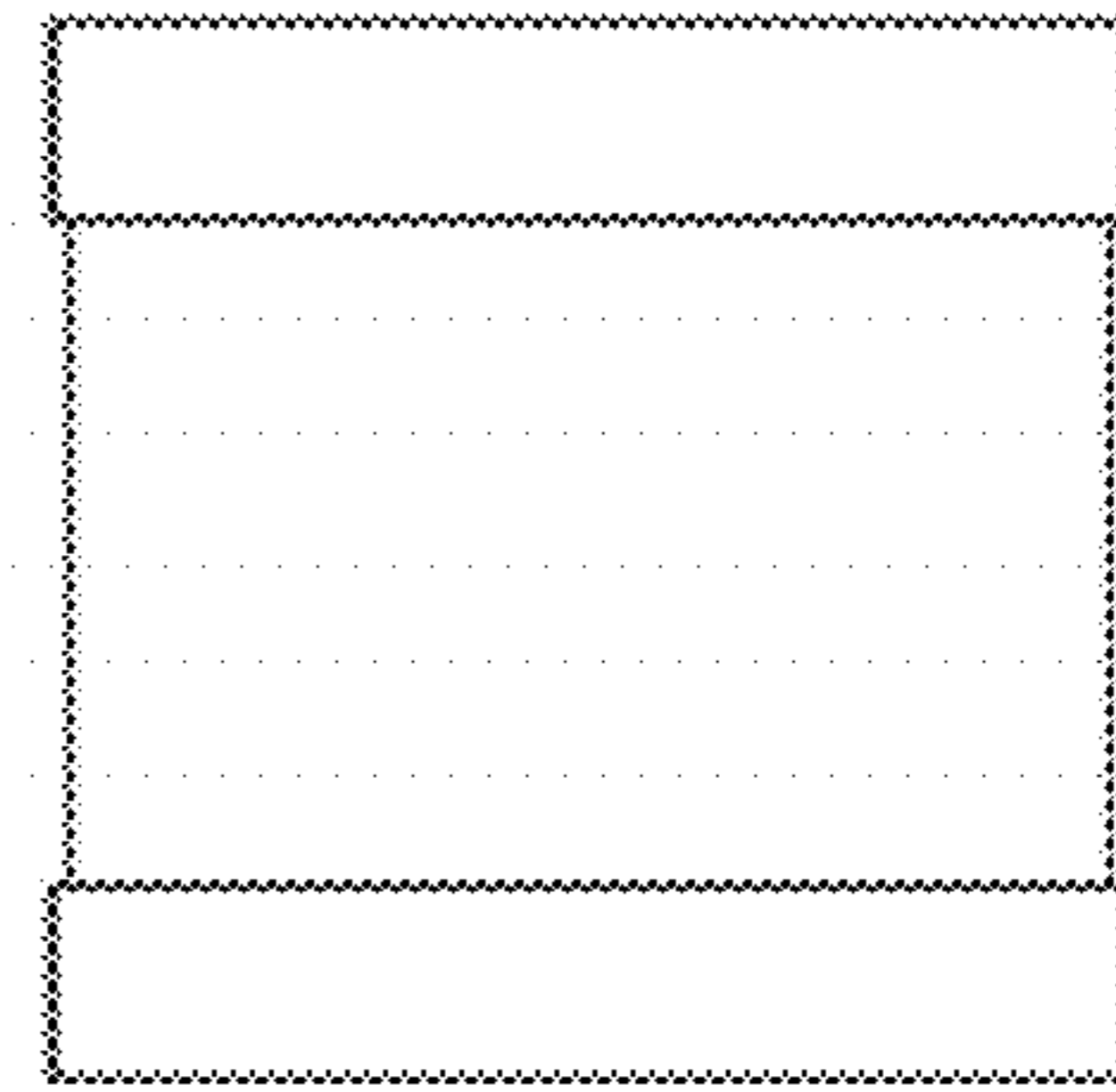


FIG. 6



FIG. 7