



US00D664309S

(12) **United States Design Patent**
Mugford

(10) **Patent No.:** **US D664,309 S**
(45) **Date of Patent:** **** Jul. 24, 2012**

(54) **HARNESS**
(75) Inventor: **Roger Arthur Mugford**, Chertsey (GB)
(73) Assignee: **The Company of Animals Limited**,
Chertsey, Surrey (GB)

5,074,011 A 12/1991 Carlson
5,079,904 A * 1/1992 Berube 54/6.2
5,088,272 A 2/1992 Anderson et al.
5,218,929 A 6/1993 Michunovich
5,297,835 A 3/1994 Wengler
D378,150 S * 2/1997 DuBarry D30/152
(Continued)

(**) Term: **14 Years**

FOREIGN PATENT DOCUMENTS

(21) Appl. No.: **29/347,848**

AU 574913 10/1986
(Continued)

(22) Filed: **Jun. 23, 2010**

OTHER PUBLICATIONS

(51) **LOC (9) Cl.** **30-04**
(52) **U.S. Cl.** **D30/152**
(58) **Field of Classification Search** D30/152,
D30/144, 151, 153, 154; 119/702, 712, 792-798,
119/758, 760, 769, 770, 784, 815, 818, 856,
119/863, 864, 905, 907, 802, 857, 865, 725,
119/771, 831; D21/805, 804; D3/217, 327,
D3/271.2; D29/101.1, 101.5, 101.3; D24/190;
D34/28; 54/71, 24, 80.1

U.S. Appl. No. 29/309,237, filed Jul. 11, 2008.
(Continued)

See application file for complete search history.

Primary Examiner — Susan Moon Lee
(74) *Attorney, Agent, or Firm* — Dinesh Agarwal, P.C.

(57) **CLAIM**
I claim the ornamental design for a harness, as shown and described.

DESCRIPTION

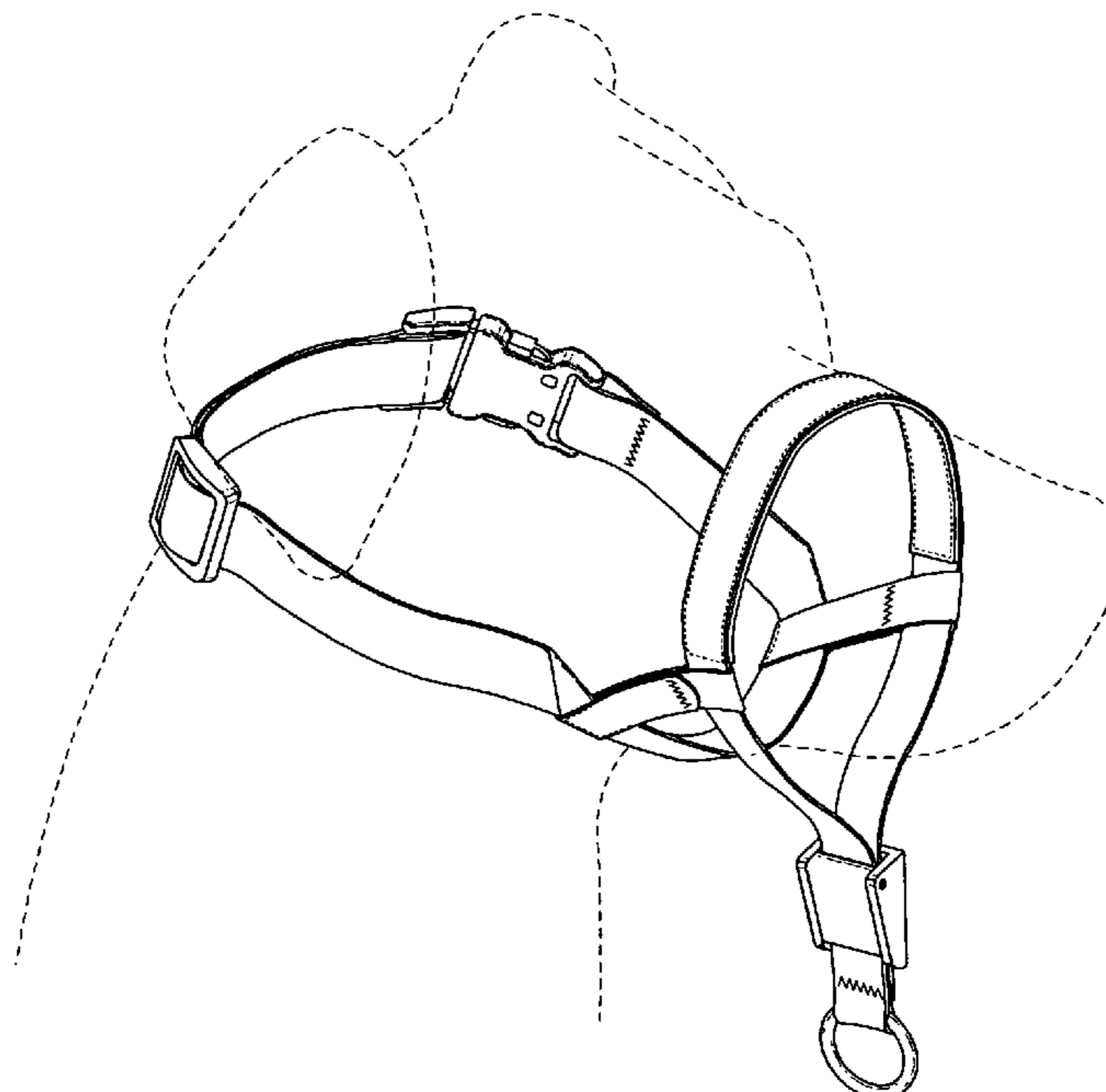
(56) **References Cited**

U.S. PATENT DOCUMENTS

545,207 A 8/1895 Miller
1,068,971 A 7/1913 Brauer
1,511,339 A 10/1924 Hord
2,658,478 A 11/1953 Jones
3,173,401 A 3/1965 Lupo, Sr.
3,273,311 A 9/1966 Henry
4,160,428 A 7/1979 Wilkinson
4,273,119 A 6/1981 Marchello
4,483,275 A 11/1984 De Groot
4,530,309 A 7/1985 Collins
4,621,591 A 11/1986 Anderson et al.
4,838,206 A 6/1989 Anderson et al.
4,941,313 A 7/1990 Anderson et al.

FIG. 1 is a left perspective view of a harness of the present invention;
FIG. 2 is a front elevational view of the harness of FIG. 1;
FIG. 3 is a rear elevational view of the harness of FIG. 1;
FIG. 4 is a left side view of the harness of FIG. 1;
FIG. 5 is a right side view of the harness of FIG. 1; and
FIG. 6 is a top plan view of the harness of FIG. 1;
FIG. 7 is a bottom plan view of the harness of FIG. 1; and,
FIG. 8 is the same view of the harness as in FIG. 1, shown in use.
The broken line elements are not claimed.

1 Claim, 8 Drawing Sheets



U.S. PATENT DOCUMENTS

D424,761	S	5/2000	Mortenson	
6,062,005	A	5/2000	Roberts	
6,164,245	A	12/2000	Johnson	
6,314,915	B1	11/2001	Pope et al.	
D458,717	S *	6/2002	Mugford	D30/152
6,450,130	B1	9/2002	Goldberg	
6,595,156	B1 *	7/2003	Curran	119/792
D480,843	S	10/2003	Sullivan	
6,637,377	B2	10/2003	Lobanoff et al.	
6,694,923	B1	2/2004	Fouché	
6,827,044	B2	12/2004	Lobanoff et al.	
D524,997	S *	7/2006	Franco	D30/152
D552,805	S *	10/2007	Holt et al.	D30/152
7,281,363	B2	10/2007	Woerner	
7,284,505	B1	10/2007	Paxton et al.	
7,357,099	B2	4/2008	Smith et al.	
D569,050	S	5/2008	Spater et al.	
7,370,608	B1	5/2008	Friedman	
7,444,960	B1	11/2008	Williams et al.	
D591,011	S	4/2009	Madere et al.	
7,637,231	B2 *	12/2009	Grayson	119/831
D608,958	S *	1/2010	Mottram	D30/152
D611,663	S	3/2010	Bergschneider et al.	
D613,462	S *	4/2010	Mottram	D30/152
7,703,418	B2 *	4/2010	Henderson	119/792
7,757,641	B1	7/2010	Worden	
D621,561	S	8/2010	Sikloski et al.	
7,891,321	B2	2/2011	Slank	
7,930,997	B2 *	4/2011	Ashby	119/856
D638,176	S	5/2011	Mugford	
2002/0053324	A1	5/2002	Kato	
2002/0073936	A1 *	6/2002	Fields-Babineau	119/863
2003/0150399	A1	8/2003	Lobanoff et al.	
2003/0150400	A1	8/2003	Lobanoff et al.	
2004/0025804	A1	2/2004	Smith et al.	
2006/0037562	A1	2/2006	Woerner	
2006/0054109	A1	3/2006	Smith	
2006/0112903	A1	6/2006	Zutis et al.	
2006/0254534	A1	11/2006	Lin	
2007/0034164	A1	2/2007	Sporn	
2008/0047501	A1	2/2008	Madere	
2008/0264350	A1	10/2008	Frevola	
2008/0314336	A1	12/2008	Church et al.	
2009/0320418	A1 *	12/2009	Gibbons	54/24
2010/0024743	A1	2/2010	Wang	
2011/0107982	A1	5/2011	Taylor	
2011/0185981	A1	8/2011	Mitton	

FOREIGN PATENT DOCUMENTS

AU	635711	2/1990
EM	000095450-0001	2/2004
EM	000142047-0001	5/2004
EM	000862362-0001	3/2008

EM	000862362-0002	3/2008
EM	000439443-0001	5/2008
EM	000439443-0002	5/2008
GB	1019303	9/1984
GB	1025599	12/1985
GB	2097656	12/2000
GB	2098882	2/2001
GB	2 370 485 A	7/2002
GB	2370485	7/2002
GB	2 407 471 A	5/2005
JP	1962041	8/1995
JP	1148162	7/2002

OTHER PUBLICATIONS

Office Action dated Aug. 31, 2010, in U.S. Appl. No. 29/309,237, filed Jul. 11, 2008.

Fitting Halti's and Gentle Leaders properly. <http://www.doglogic.com/collars.html> Jul. 2008 (5 pages). Accessed Jul. 14, 2011.

Gentle Leader http://www.sinclair-sahc.co.uk/page_infor.asp?ContentID=47&CatID=4 (1 page). Accessed Dec. 19, 2009.

The Gentle Leader HeadCollar and Training System for Dogs. <http://www.gentleleader.co.uk/2010/02/the-gentle-leader%2%ae-headcollar-and-trai> . . . Accessed Jun. 22, 2010 (2 pages).

Haiti HeadCollar. <http://www.companyofanimals.co.uk/products/halti/halti/.php> Accessed Dec. 17, 2009 (2 pages).

The AKC Padded Dog Halter. <http://www.petco.com/product/108490/AKC-Navy-Blue-Padded-Dog-Halter.aspx>. Accessed Dec. 21, 2009 (2 pages).

<http://www.canineconcepts.co.uk/ccp51/cc/dog-training/head-collar.shtml> Accessed Dec. 17, 2009 (2 pages).

The Dog Head Halter. <http://www.petsperfect.co.uk/products/Black-Dog-Head-Halter.html> (2 pages). Accessed Jul. 14, 2011.

Search Report under Section 17 in U.K. Application No. GB0922632.5, dated Apr. 8, 2010 (1 page).

Search Report under Section 17 in U.K. Application No. GB0130527.5, dated Apr. 25, 2002 (1 page).

Notice of Allowance dated Jan. 6, 2011, in U.S. Appl. No. 29/309,237, filed Jul. 11, 2008.

U.S. Appl. No. 29/371,733, filed Aug. 8, 2011.

Notice of Allowance dated Dec. 23, 2011, in U.S. Appl. No. 29/371,733, filed Aug. 8, 2011.

Baskerville Muzzle Range—See <http://www.companyofanimals.co.uk/products/muzzles-travel-and-visibility/muzzles/baskerville-muzzle-range> (6 pages) Accessed Nov. 8, 2011.

* cited by examiner

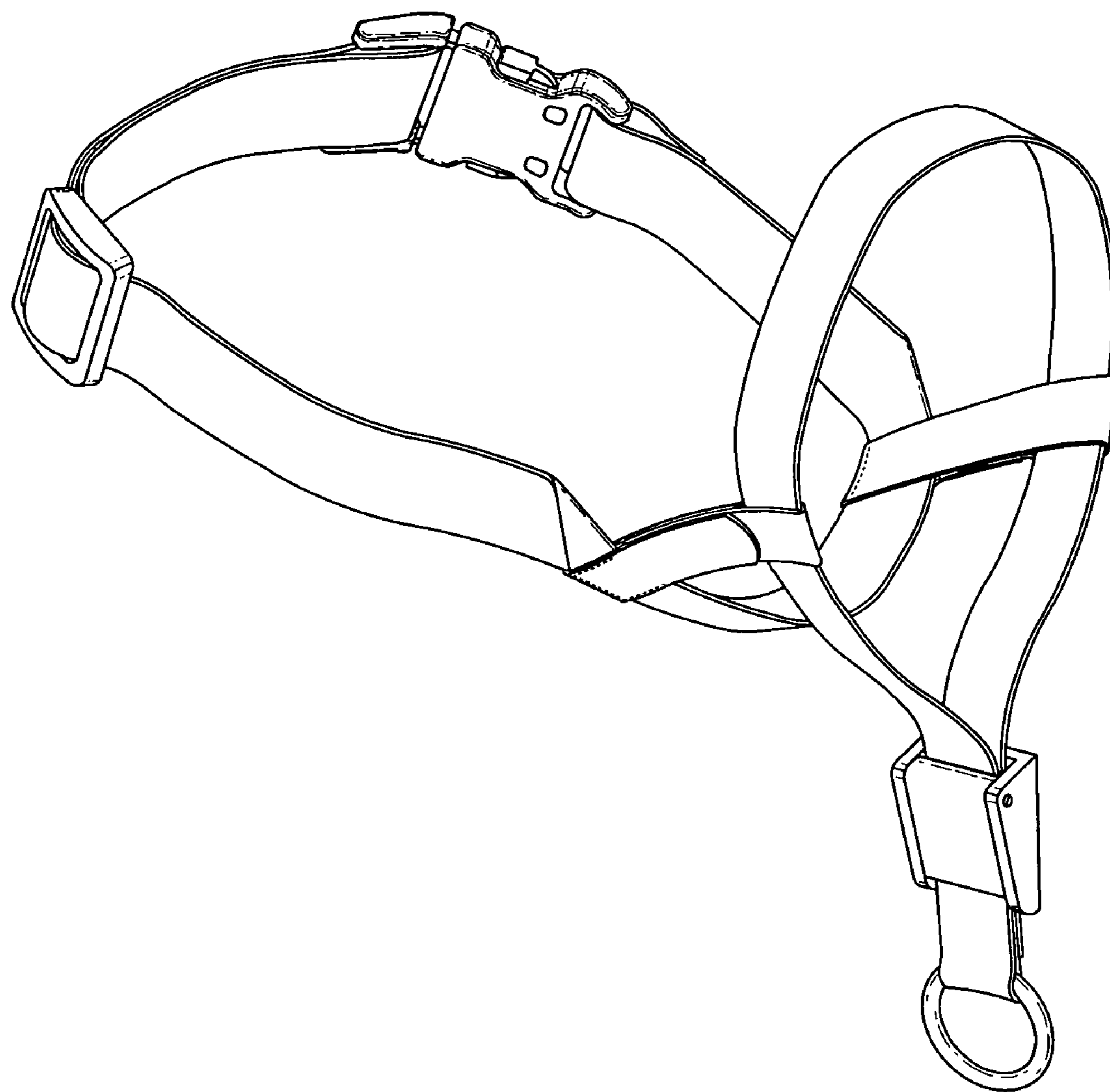


FIG. 1

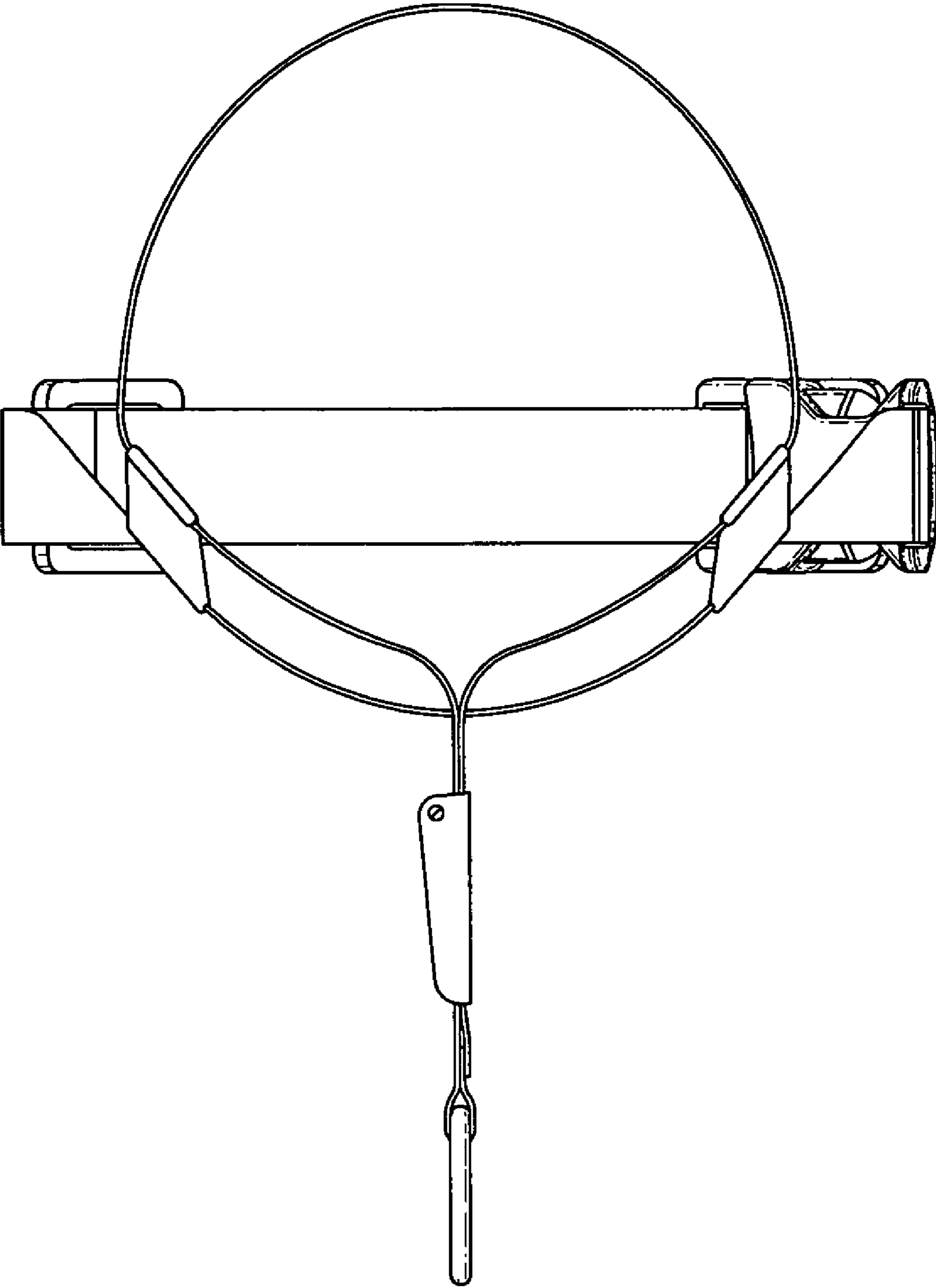


FIG. 2

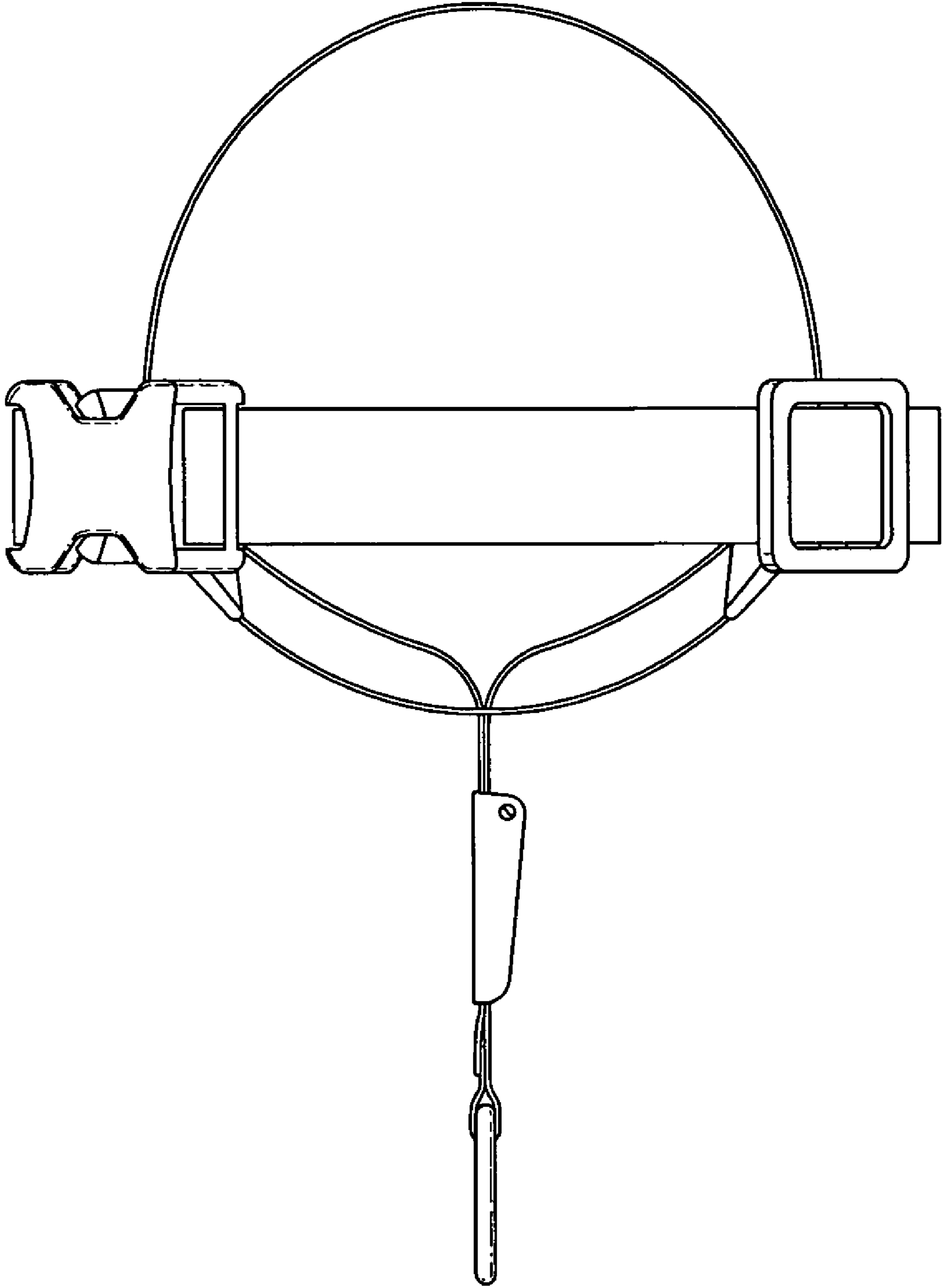


FIG. 3

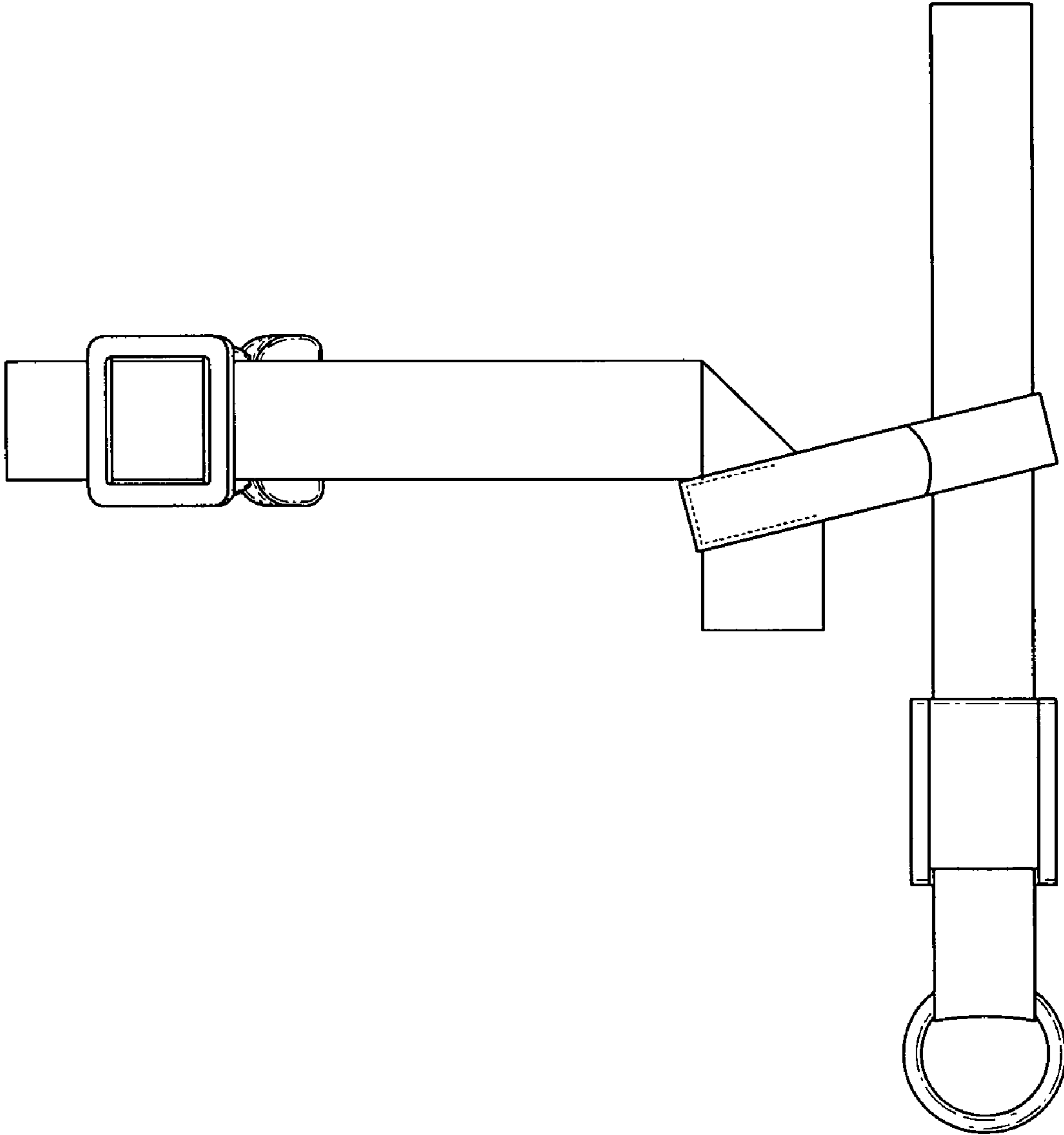


FIG. 4

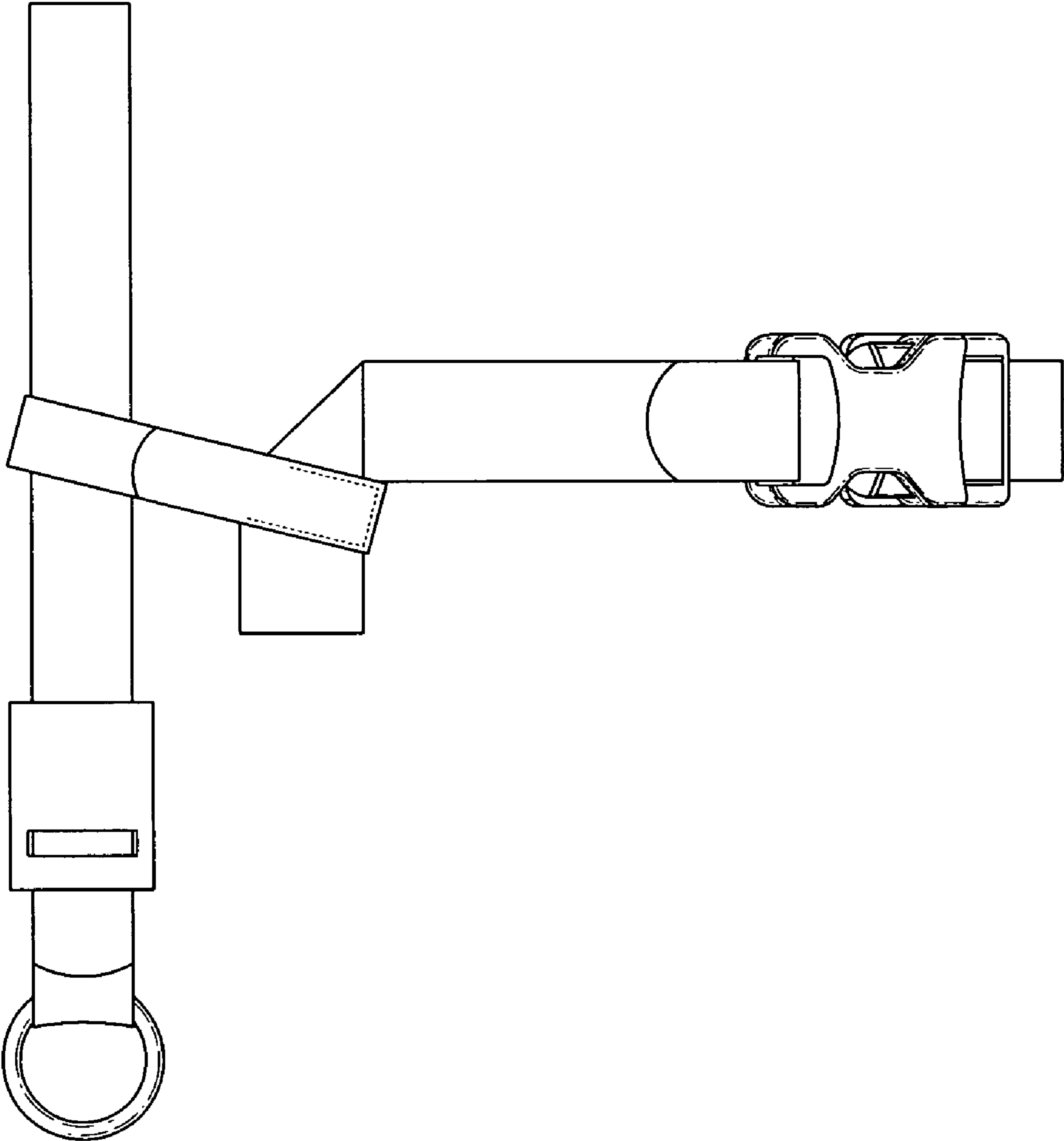


FIG. 5

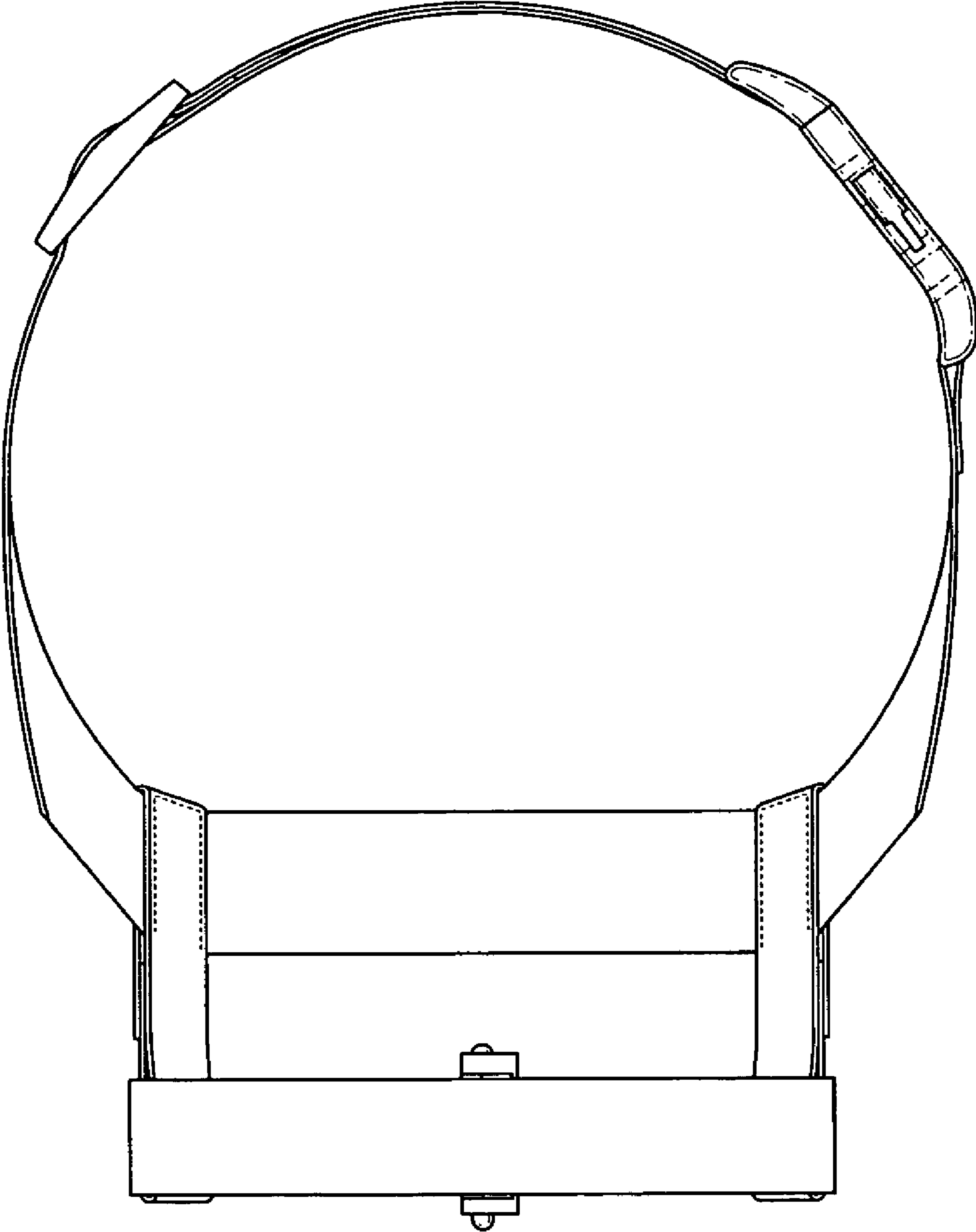


FIG. 6

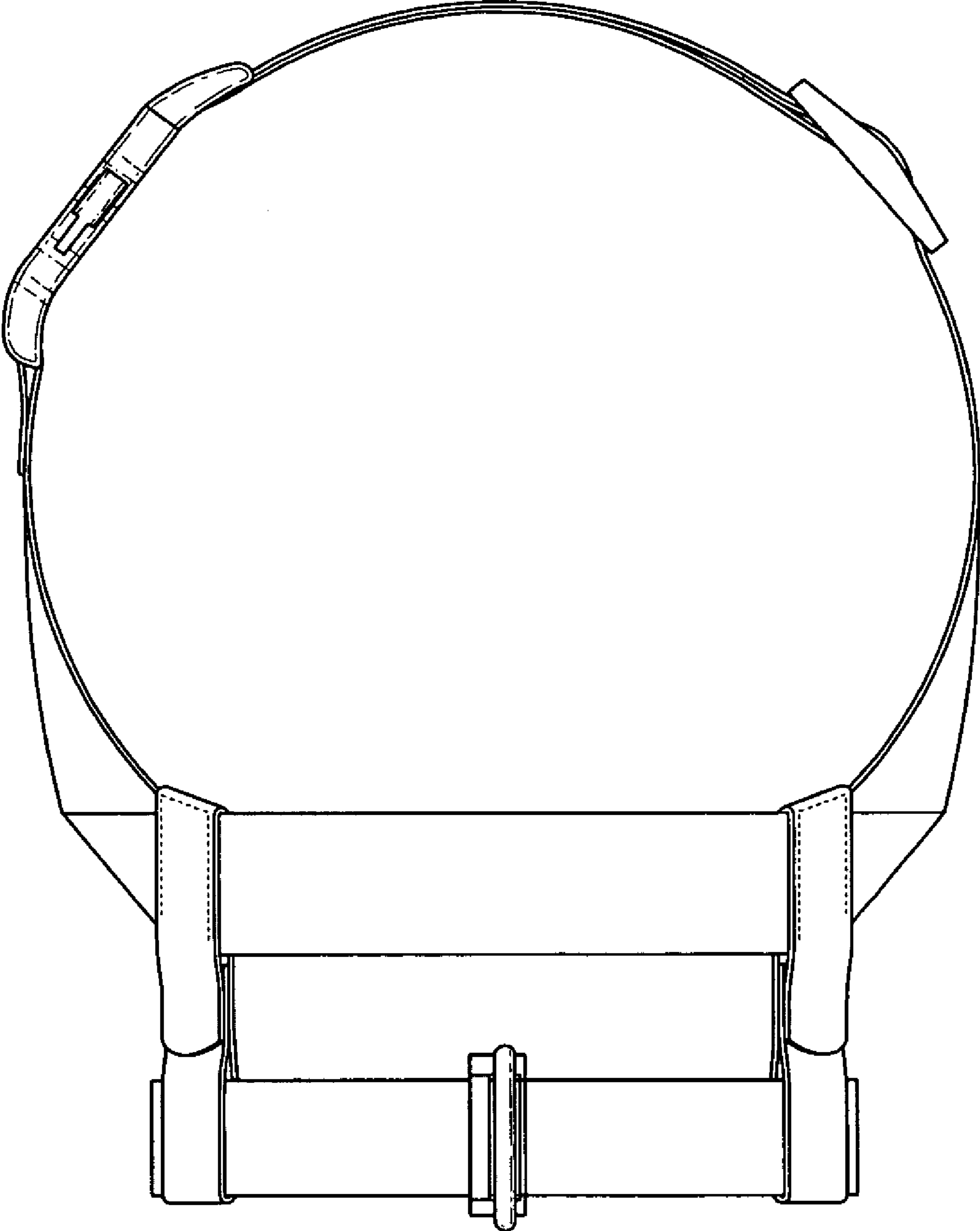


FIG. 7

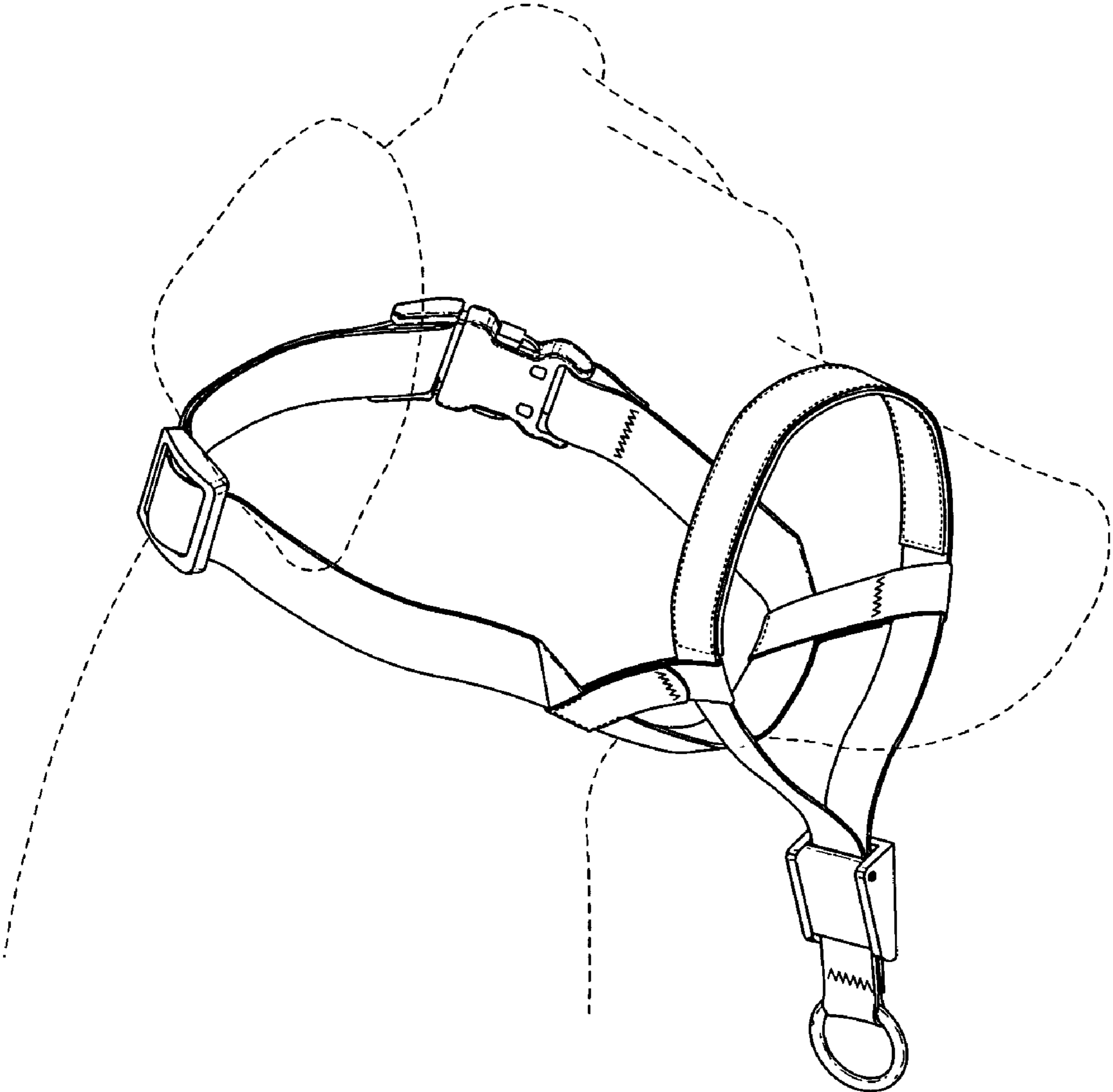


FIG. 8

UNITED STATES PATENT AND TRADEMARK OFFICE
CERTIFICATE OF CORRECTION

PATENT NO. : D664,309 S
APPLICATION NO. : 29/347848
DATED : July 24, 2012
INVENTOR(S) : Roger Arthur Mugford

Page 1 of 1

It is certified that error appears in the above-identified patent and that said Letters Patent is hereby corrected as shown below:

The title page should include the following foreign priority data:

(30) Foreign Application Priority Data

Dec. 24, 2009 (EU) 001187033-0001

Signed and Sealed this
Fourteenth Day of May, 2013



Teresa Stanek Rea
Acting Director of the United States Patent and Trademark Office