



US00D664308S

(12) **United States Design Patent**
Crystal

(10) **Patent No.:** **US D664,308 S**
(45) **Date of Patent:** **** Jul. 24, 2012**

(54) **PET FOOD AND WATER DISH**

(75) Inventor: **Jed Crystal**, Northampton, MA (US)

(73) Assignee: **Hepper LLC**, Northampton, MA (US)

(**) Term: **14 Years**

(21) Appl. No.: **29/404,770**

(22) Filed: **Oct. 25, 2011**

(51) **LOC (9) Cl.** **30-03**

(52) **U.S. Cl.** **D30/130; D30/133; D30/132**

(58) **Field of Classification Search** D30/121,
D30/122, 129-133; 119/61.5, 51.01, 61.56,
119/51.03, 59, 62, 63, 51.5, 57.8, 74, 61.54,
119/61.55, 61; 312/204; 248/151, 188; 108/156,
108/153.1-157; 220/23.87, 630, 737, 743,
220/9.4, 495.01, 574, 212, 255, 23.83, 575;
206/515; D7/586, 543, 550.1, 587, 505,
D7/584, 545, 500, 553.1-553.8, 546, 555,
D7/556, 504, 565, 562, 602, 507, 549, 558,
D7/552.2, 560, 566, 548, 681; D9/429;
43/109; D22/122; 99/430, DIG. 15

See application file for complete search history.

(56) **References Cited**

U.S. PATENT DOCUMENTS

| | | | | | |
|-----------|-----|---------|------------------|-------|-----------|
| 2,554,086 | A * | 5/1951 | Block | | 119/51.5 |
| 2,677,350 | A * | 5/1954 | Prestidge et al. | | 119/61.53 |
| D182,973 | S * | 6/1958 | Reinecke | | D7/505 |
| D229,073 | S * | 11/1973 | Brickel | | D30/130 |
| D244,452 | S * | 5/1977 | Ohshiro | | D25/2 |
| D259,669 | S * | 6/1981 | Peterson | | D30/130 |
| 4,357,905 | A * | 11/1982 | Carpenter | | 119/61.53 |
| D294,531 | S * | 3/1988 | Neunzig | | D30/130 |
| D299,771 | S * | 2/1989 | Kennedy | | D30/130 |
| D302,755 | S * | 8/1989 | Zaliti | | D30/130 |
| D312,896 | S * | 12/1990 | Goetz | | D30/130 |
| D313,488 | S * | 1/1991 | Conner | | D30/130 |

| | | | | | |
|-----------|-----|---------|----------------|-------|-----------|
| D313,489 | S * | 1/1991 | Conner | | D30/130 |
| D326,742 | S * | 6/1992 | Tart | | D30/130 |
| D342,646 | S * | 12/1993 | Sicard et al. | | D7/556 |
| 5,277,149 | A * | 1/1994 | East | | 119/51.5 |
| 5,285,749 | A * | 2/1994 | Byer | | 119/61.53 |
| D346,465 | S * | 4/1994 | Russell et al. | | D30/130 |
| D362,090 | S * | 9/1995 | Baldwin et al. | | D30/130 |
| D363,573 | S * | 10/1995 | Rehn | | D30/130 |
| 5,485,806 | A * | 1/1996 | Watanabe | | 119/51.5 |
| D367,736 | S * | 3/1996 | Goetz | | D30/130 |
| D379,684 | S * | 6/1997 | Dennis | | D30/130 |
| 5,743,210 | A * | 4/1998 | Lampe | | 119/51.5 |
| 5,775,255 | A * | 7/1998 | Louviere, III | | 119/51.5 |
| D402,425 | S * | 12/1998 | Lacz et al. | | D30/121 |
| D458,419 | S * | 6/2002 | Ross | | D30/129 |
| D467,045 | S * | 12/2002 | Tsengas | | D30/130 |
| D486,273 | S * | 2/2004 | Tsengas | | D30/130 |
| D491,697 | S * | 6/2004 | Tsengas | | D30/130 |
| D512,801 | S * | 12/2005 | Kratzer et al. | | D30/130 |
| D523,185 | S * | 6/2006 | Oliphant | | D30/130 |

(Continued)

Primary Examiner — Susan Moon Lee

(74) *Attorney, Agent, or Firm* — Green Mountain Innovations; Alan Cote

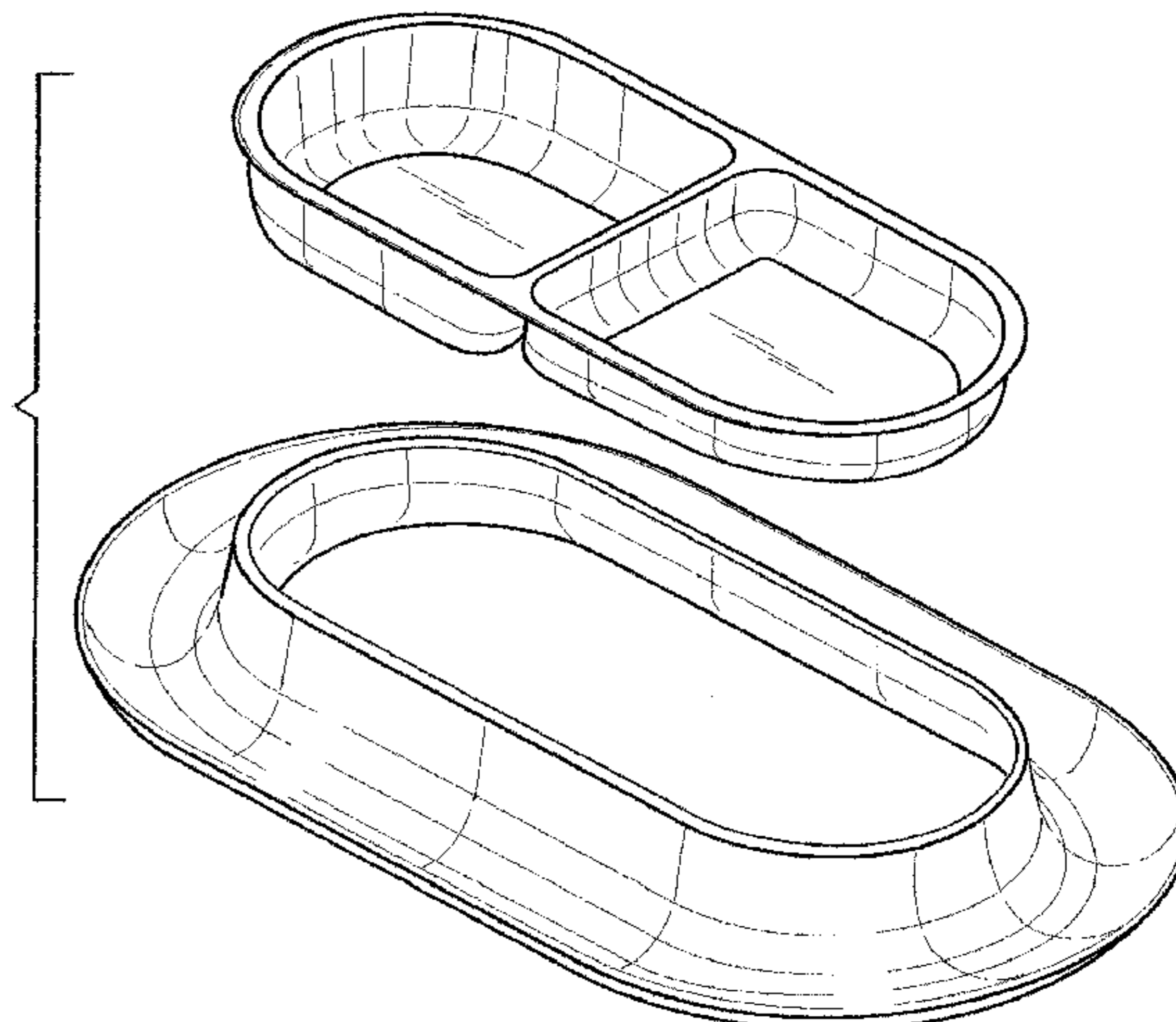
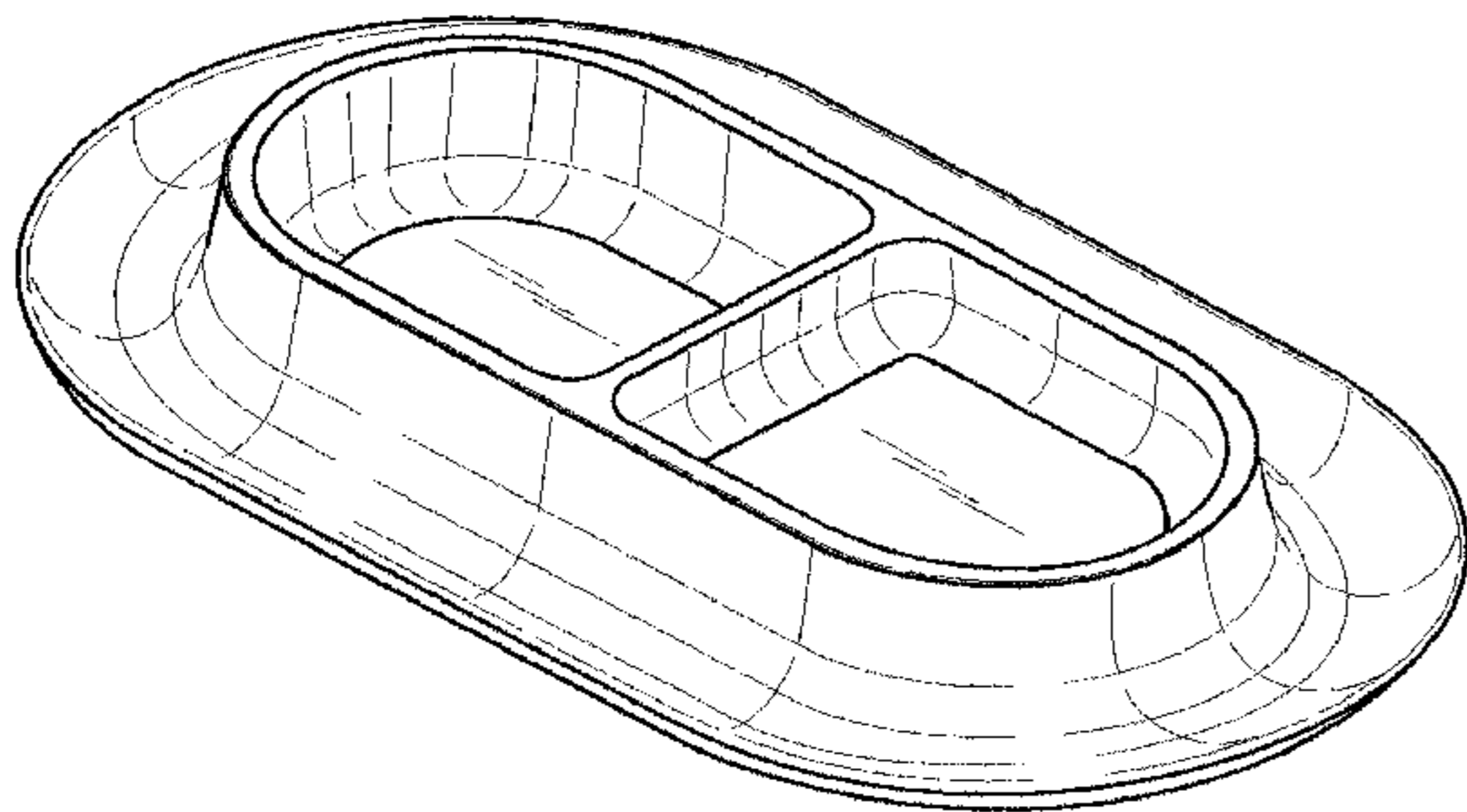
(57) **CLAIM**

I claim the ornamental design for a pet food and water dish, as shown and described.

DESCRIPTION

FIG. 1 is a front perspective view of a pet food and water dish; FIG. 2 is an exploded front perspective view thereof; FIG. 3 is a top view thereof; FIG. 4 is a front elevation view of the pet food and water dish; the rear elevation view being the same; and, FIG. 5 is a right end view of the pet food and water dish; the left end being the same. The appearance of the underside surfaces of the pet food and water dish, which are not shown, is not claimed.

1 Claim, 2 Drawing Sheets



US D664,308 S

Page 2

U.S. PATENT DOCUMENTS

| | | | | | | | |
|--------------|--------|---------------------|---------|-------------------|---------|-----------------------|-----------|
| D541,488 S * | 4/2007 | Marsh | D30/130 | D601,310 S * | 9/2009 | Greenan | D30/129 |
| D551,400 S * | 9/2007 | Tsengas | D30/133 | D602,653 S * | 10/2009 | Mendenhall | D30/130 |
| D558,931 S * | 1/2008 | Hood et al. | D30/130 | D603,106 S * | 10/2009 | Ragonetti et al. | D30/130 |
| D569,560 S * | 5/2008 | Greenan | D30/129 | D642,338 S * | 7/2011 | Becattini et al. | D30/133 |
| D590,551 S * | 4/2009 | Sperbeck | D30/129 | D653,000 S * | 1/2012 | Rutherford | D30/130 |
| D597,262 S * | 7/2009 | Shamoon et al. | D30/130 | 2011/0283947 A1 * | 11/2011 | Linke | 119/61.53 |

* cited by examiner

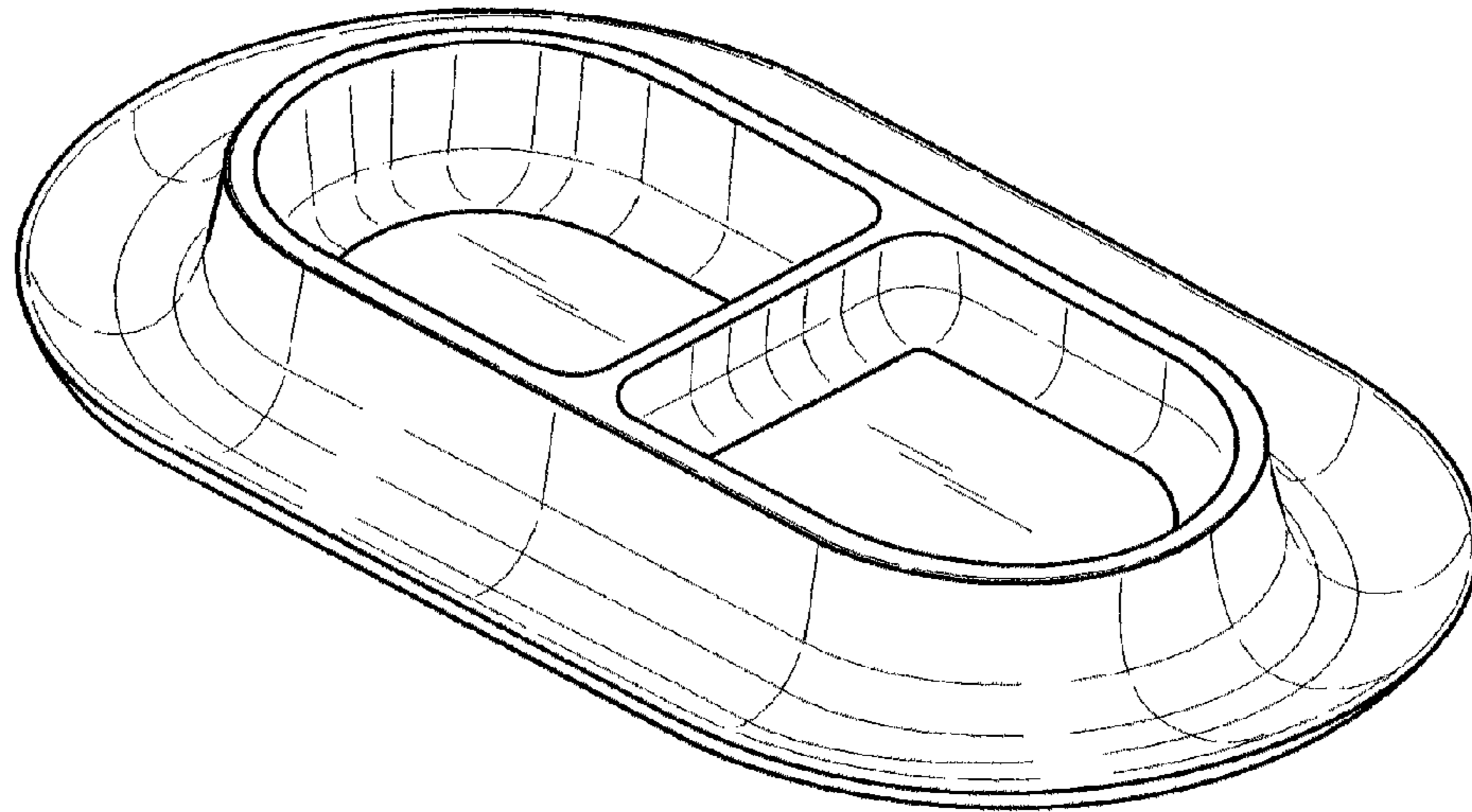


FIG. 1

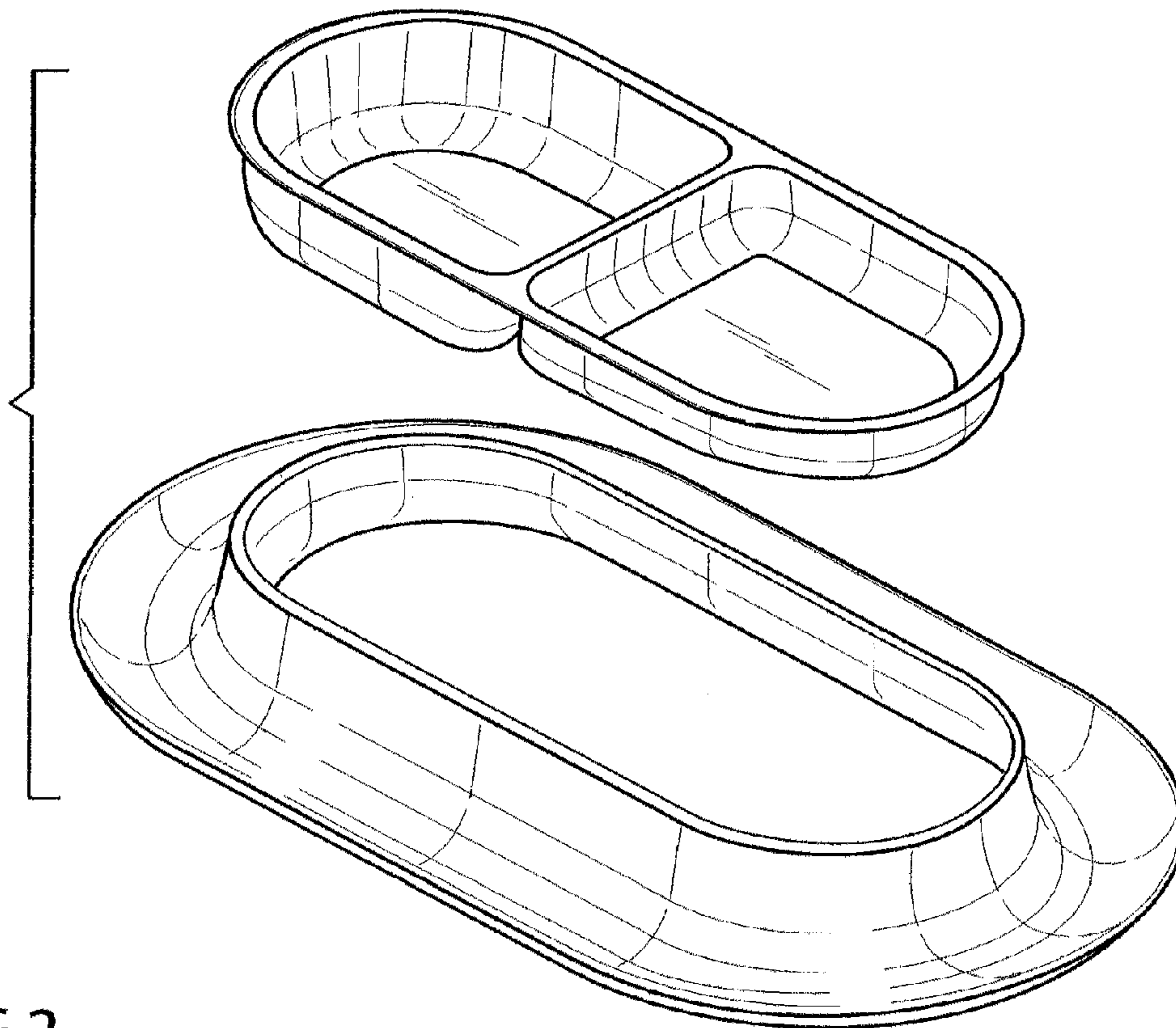


FIG. 2

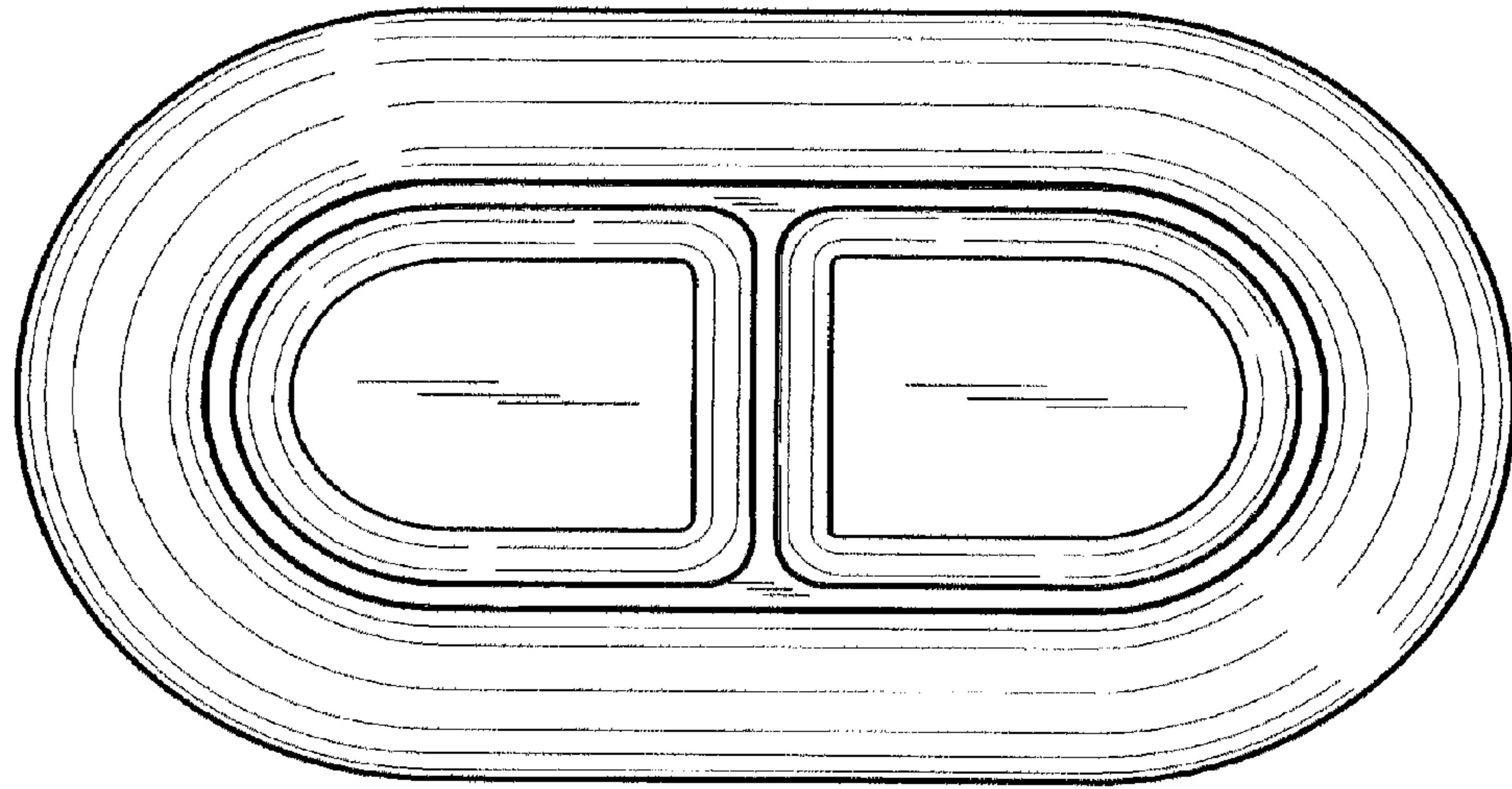


FIG.3

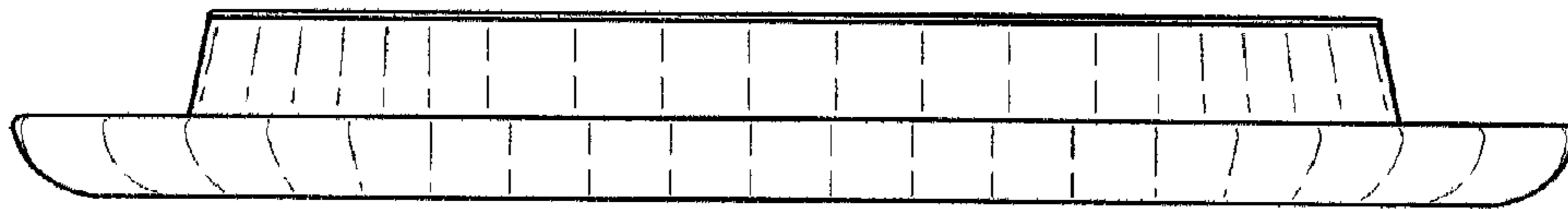


FIG.4

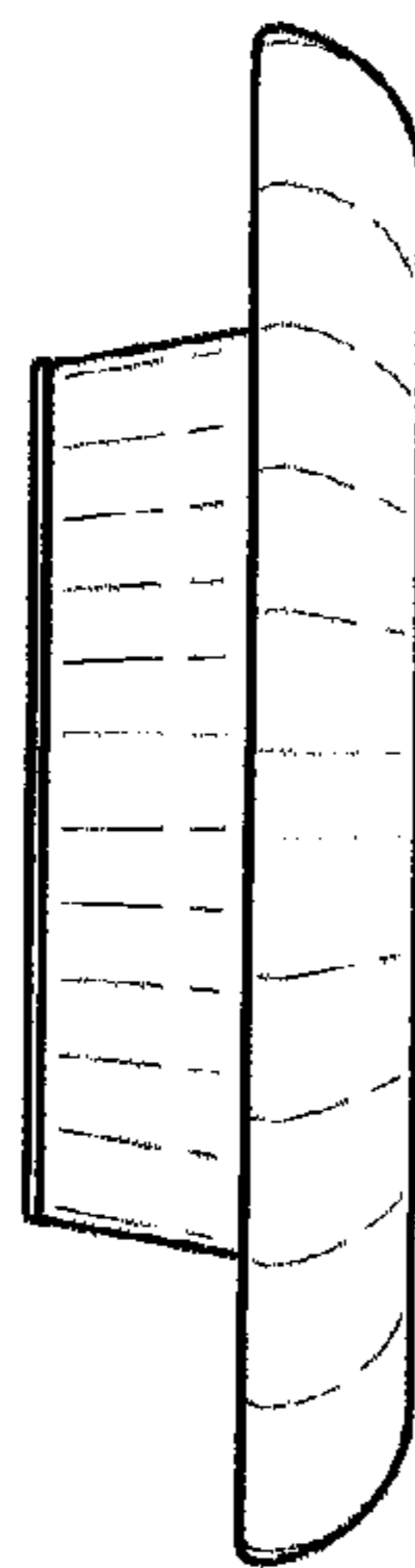


FIG.5