



US00D664307S

(12) **United States Design Patent**
Krueger et al.

(10) **Patent No.:** **US D664,307 S**
(45) **Date of Patent:** **** Jul. 24, 2012**

(54) **SEED ALLOCATOR FOR A WILD BIRD FEEDER**

(75) Inventors: **Bryan Krueger**, Denver, CO (US);
James Carter, Denver, CO (US)

(73) Assignee: **Classic Brands, LLC**, Denver, CO (US)

(**) Term: **14 Years**

(21) Appl. No.: **29/390,071**

(22) Filed: **Apr. 19, 2011**

(51) **LOC (9) Cl.** **30-03**

(52) **U.S. Cl.** **D30/127; D30/124; D30/199**

(58) **Field of Classification Search** D30/121,
D30/124, 126-129, 133, 199, 110-112, 123,
D30/125; 119/52.2, 51.5, 61.5, 57.8, 57.9,
119/52.3, 61.1, 531, 63, 428-435, 52.4, 55,
119/61.3, 69.5, 75, 76; 47/67, 83; 248/318;
D11/164, 152; 211/128.1; D27/123; D6/495,
D6/460, 461, 476, 405; D9/529, 558, 445,
D9/453; D21/386, 389, 506, 507, 510, 500,
D21/494, 491, 493, 483; 273/290, 288; 10/113.2;
116/63 C, 63 T, 63 P
See application file for complete search history.

(56) **References Cited**

U.S. PATENT DOCUMENTS

2,634,705	A *	4/1953	Mayes	119/57.8
2,773,474	A *	12/1956	Dodds	119/55
D185,456	S *	6/1959	Michalek et al.	D9/445
D194,750	S *	3/1963	Dahmus	D30/110
D199,995	S *	1/1965	Knodt	D9/440
D206,975	S *	2/1967	Dawson	D10/113.2
D216,002	S *	11/1969	Stone	D9/445
3,499,413	A *	3/1970	Heard	116/63 R
D235,744	S *	7/1975	England	D10/113.2
3,967,576	A *	7/1976	Soerensen	116/63 P
4,201,155	A *	5/1980	Hyde, Jr.	119/57.8
4,466,376	A *	8/1984	Wells	116/63 P
D276,510	S *	11/1984	Bent et al.	D10/113.3

4,738,221	A *	4/1988	Nock	119/52.2
D326,286	S *	5/1992	Kerivan	D21/389
5,115,343	A *	5/1992	Bennett	359/529
5,255,631	A *	10/1993	Anderson	119/52.2
D390,490	S *	2/1998	Ruderick	D10/113.2
D452,929	S *	1/2002	Perelli	D27/107
D462,286	S *	9/2002	Perelli	D10/113.2

(Continued)

Primary Examiner — Susan Moon Lee

(74) *Attorney, Agent, or Firm* — Polsinelli Shughart PC;
Gregory W. O'Connor

(57) **CLAIM**

The ornamental design for a seed allocator for a wild bird feeder, as shown and described.

DESCRIPTION

FIG. 1 is a front perspective view of a seed allocator embodying our new design.

FIG. 2 is a front elevational view thereof, the back elevational views being substantially the same.

FIG. 3 is a left side elevational view thereof, the right side elevational view being substantially the same.

FIG. 4 is a top view thereof

FIG. 5 is a bottom view thereof.

FIG. 6 is a perspective view from the lower left of FIG. 1.

FIG. 7 is a perspective view from the upper left of FIG. 1.

FIG. 8 is a front perspective view of a second embodiment of a seed allocator embodying our new design.

FIG. 9 is a front elevational view of the embodiment shown in FIG. 8, the back elevational views being substantially the same.

FIG. 10 is a left side elevational view thereof, the right side elevational view being substantially the same.

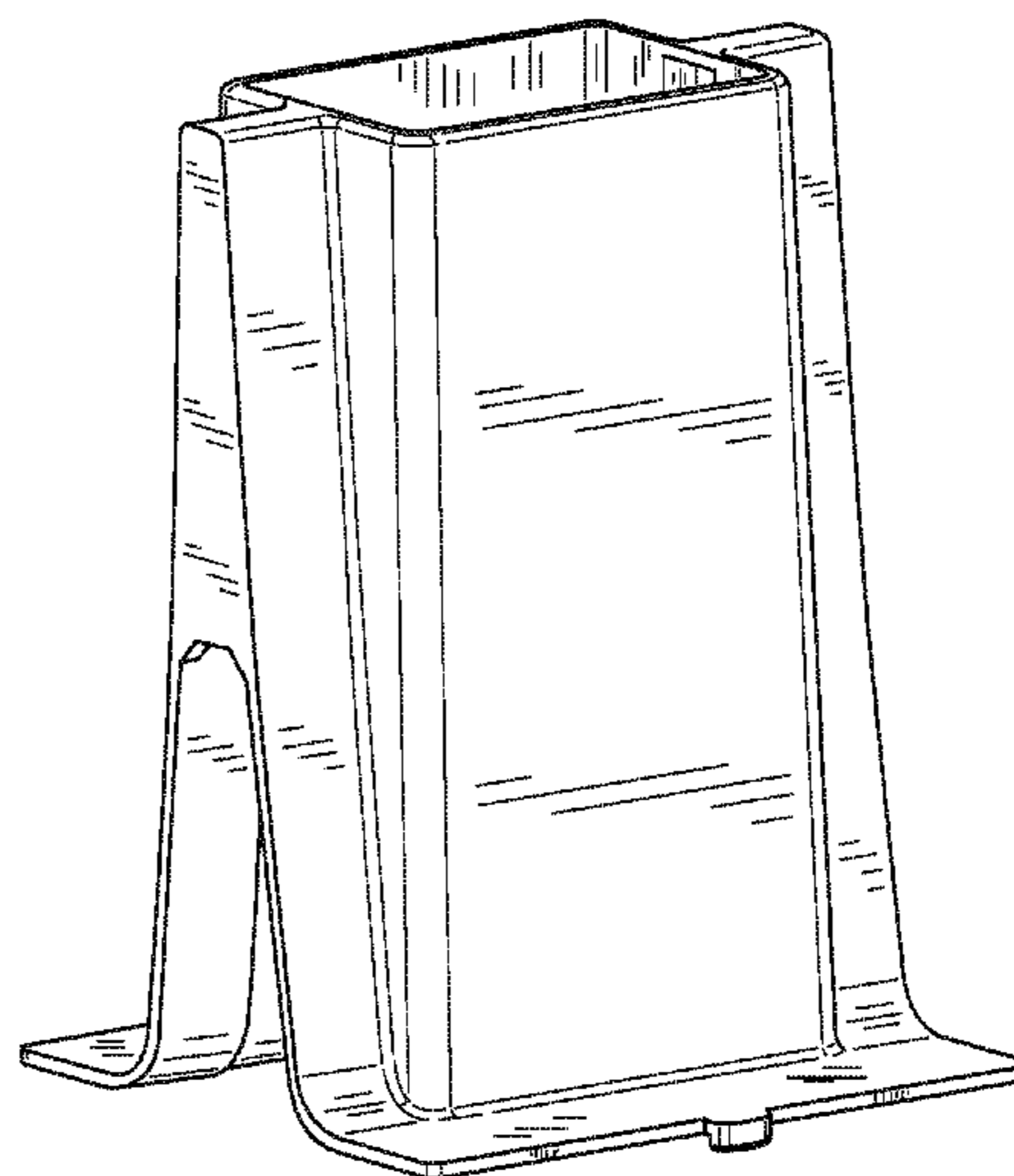
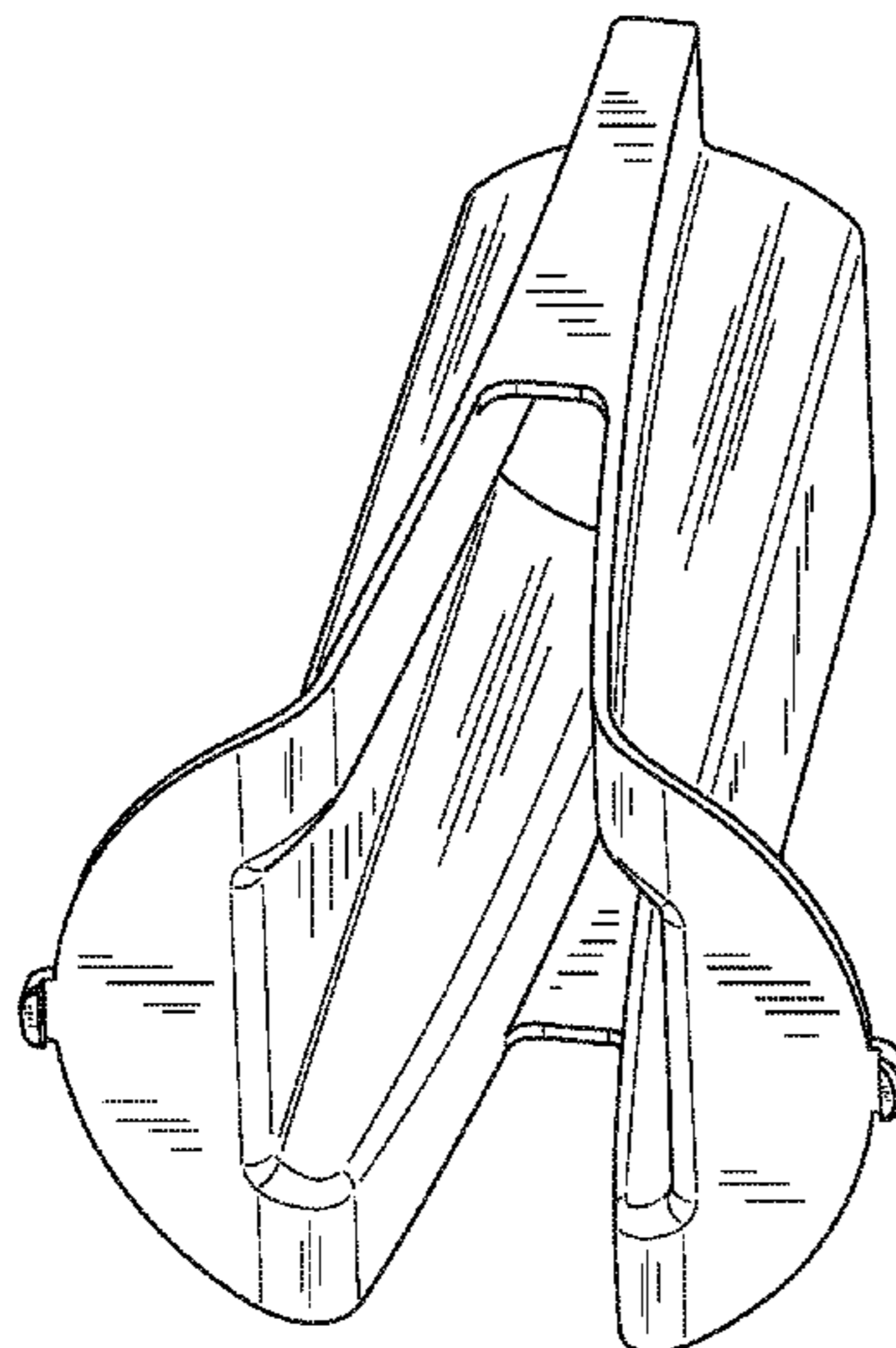
FIG. 11 is a top view thereof

FIG. 12 is a bottom view thereof.

FIG. 13 is a perspective view from the lower left of FIG. 8; and,

FIG. 14 is a perspective view from the upper left of FIG. 8.

1 Claim, 14 Drawing Sheets



US D664,307 S

Page 2

U.S. PATENT DOCUMENTS

D467,513 S *	12/2002	Neff	D10/113.2	D581,183 S *	11/2008	Kutscha et al.	D6/449
D472,490 S *	4/2003	Perelli	D10/113.2	D612,730 S *	3/2010	Rushe	D9/453
D522,180 S *	5/2006	Goria, II	D29/130	D621,268 S *	8/2010	Morabito	D9/529
D542,982 S *	5/2007	Wendell	D30/124	8,070,380 B2 *	12/2011	Pucillo et al.	404/9
7,302,911 B1 *	12/2007	Lush	119/57.8				

* cited by examiner

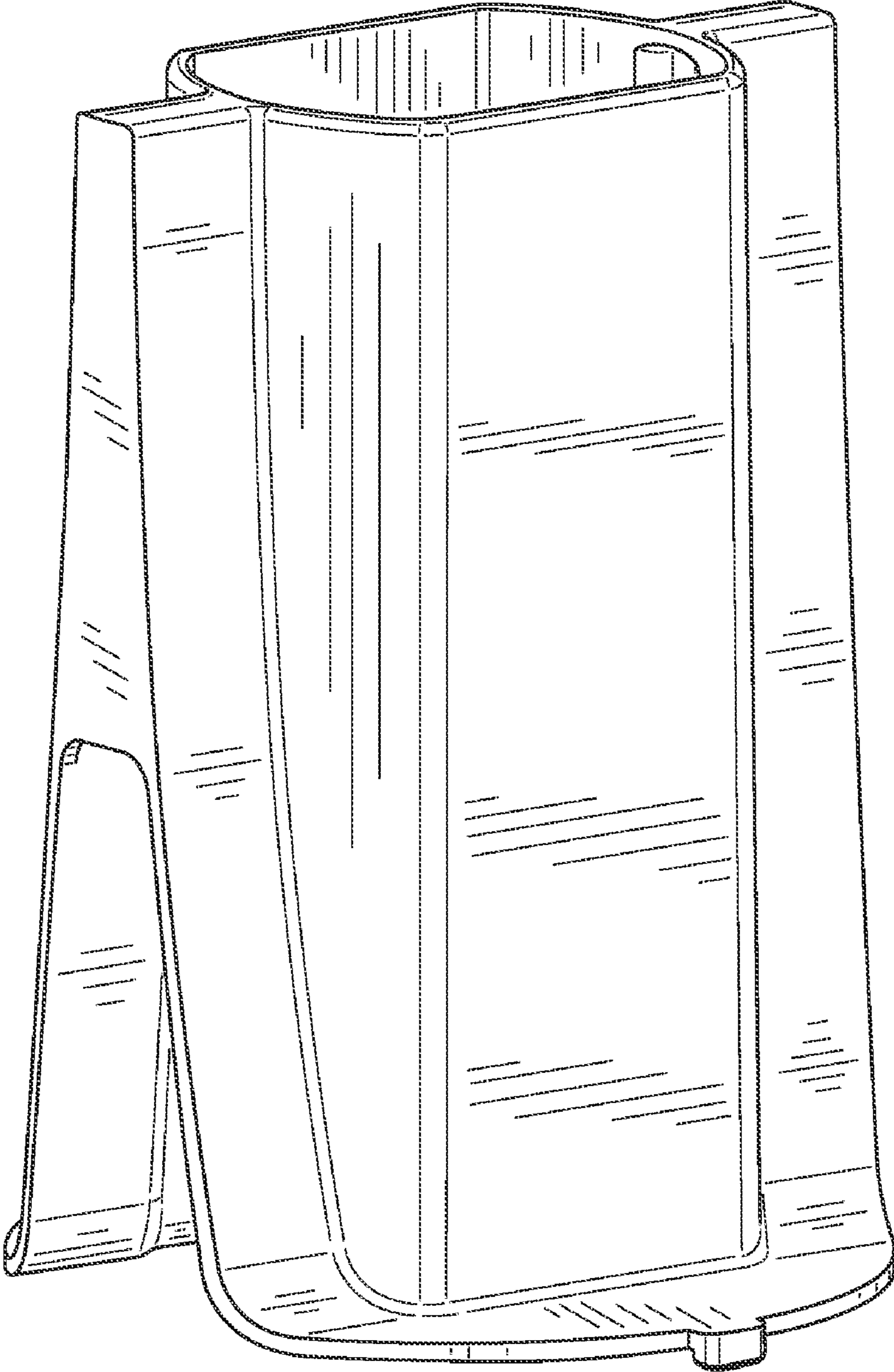


FIG. 1

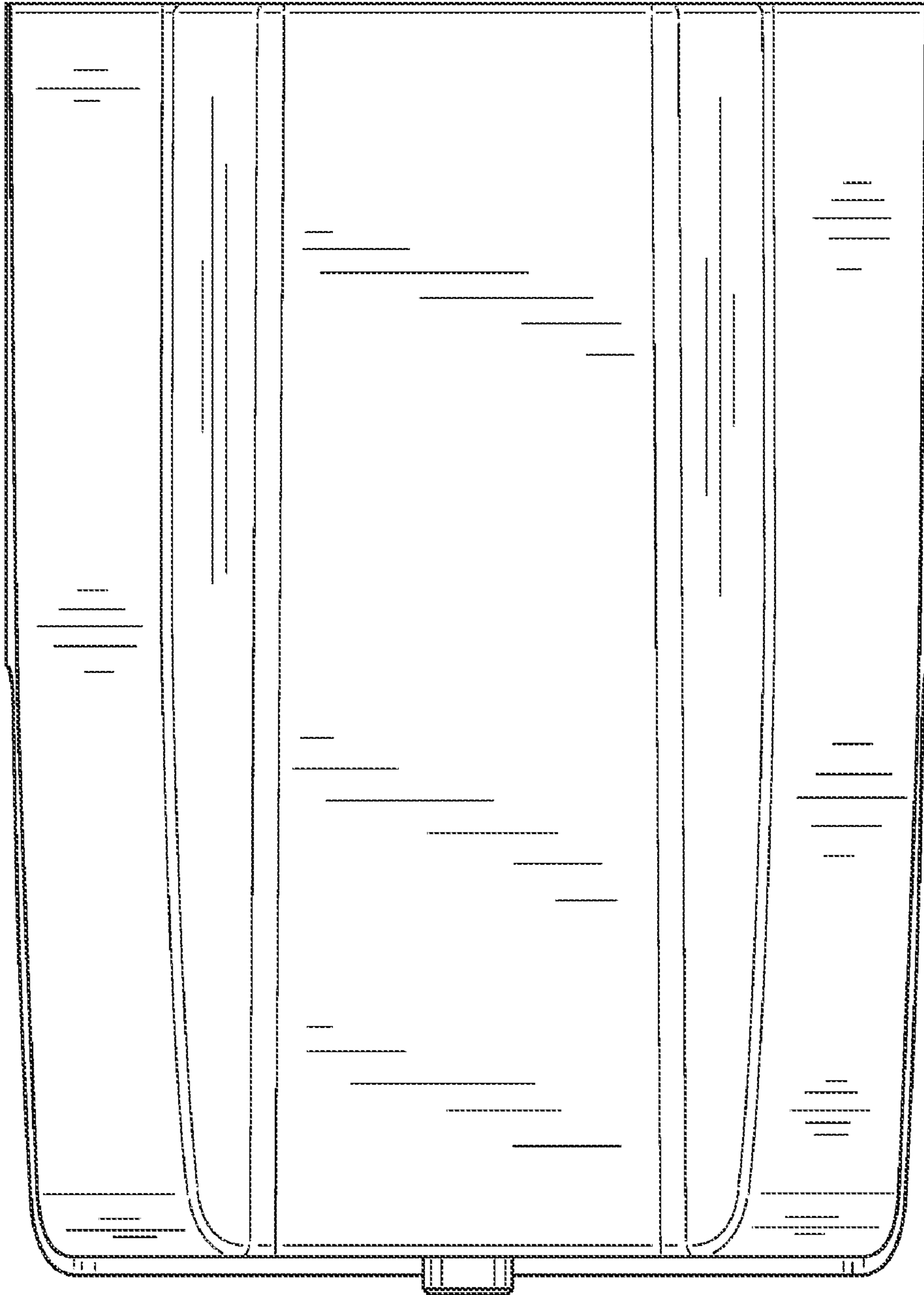


FIG. 2

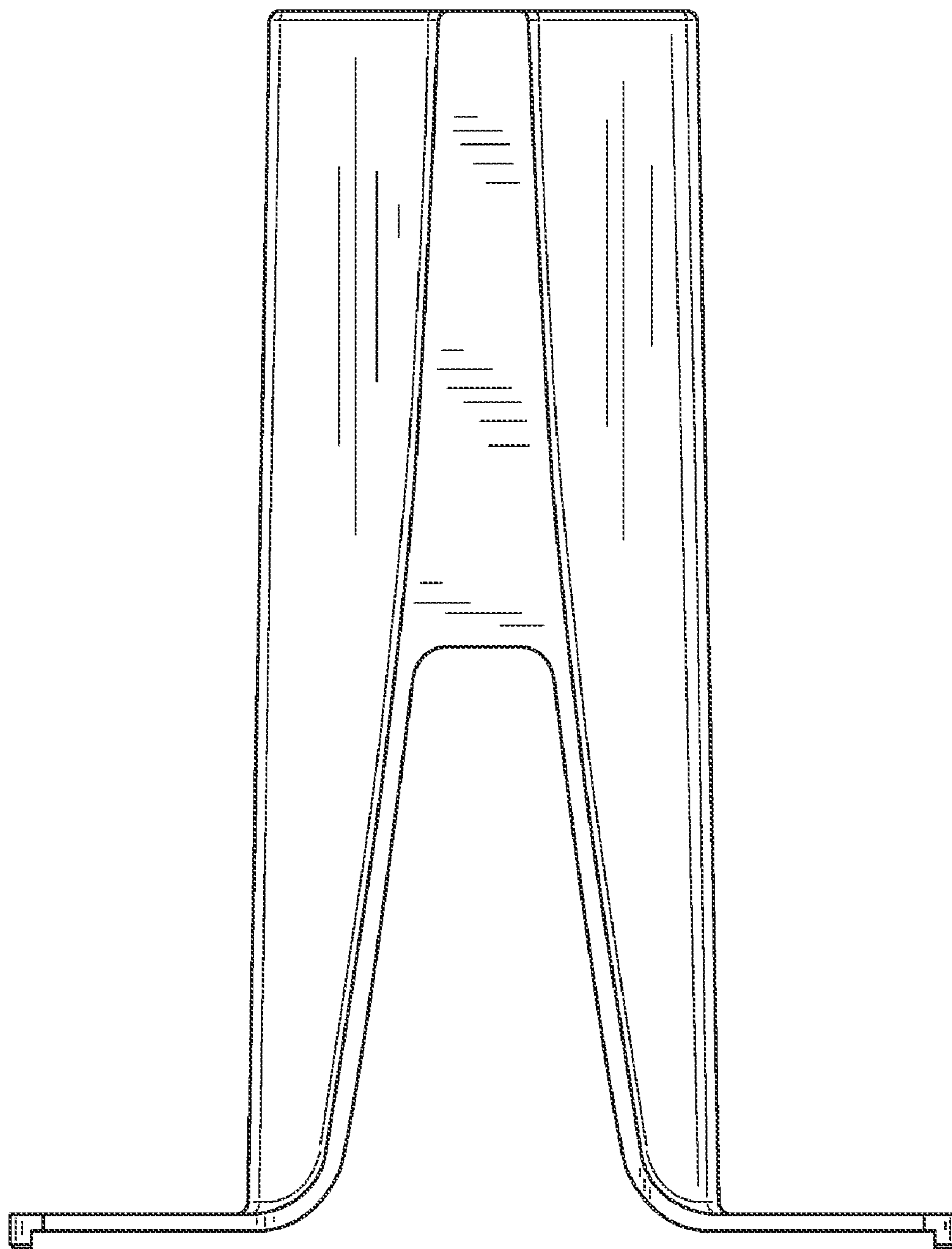


FIG. 3

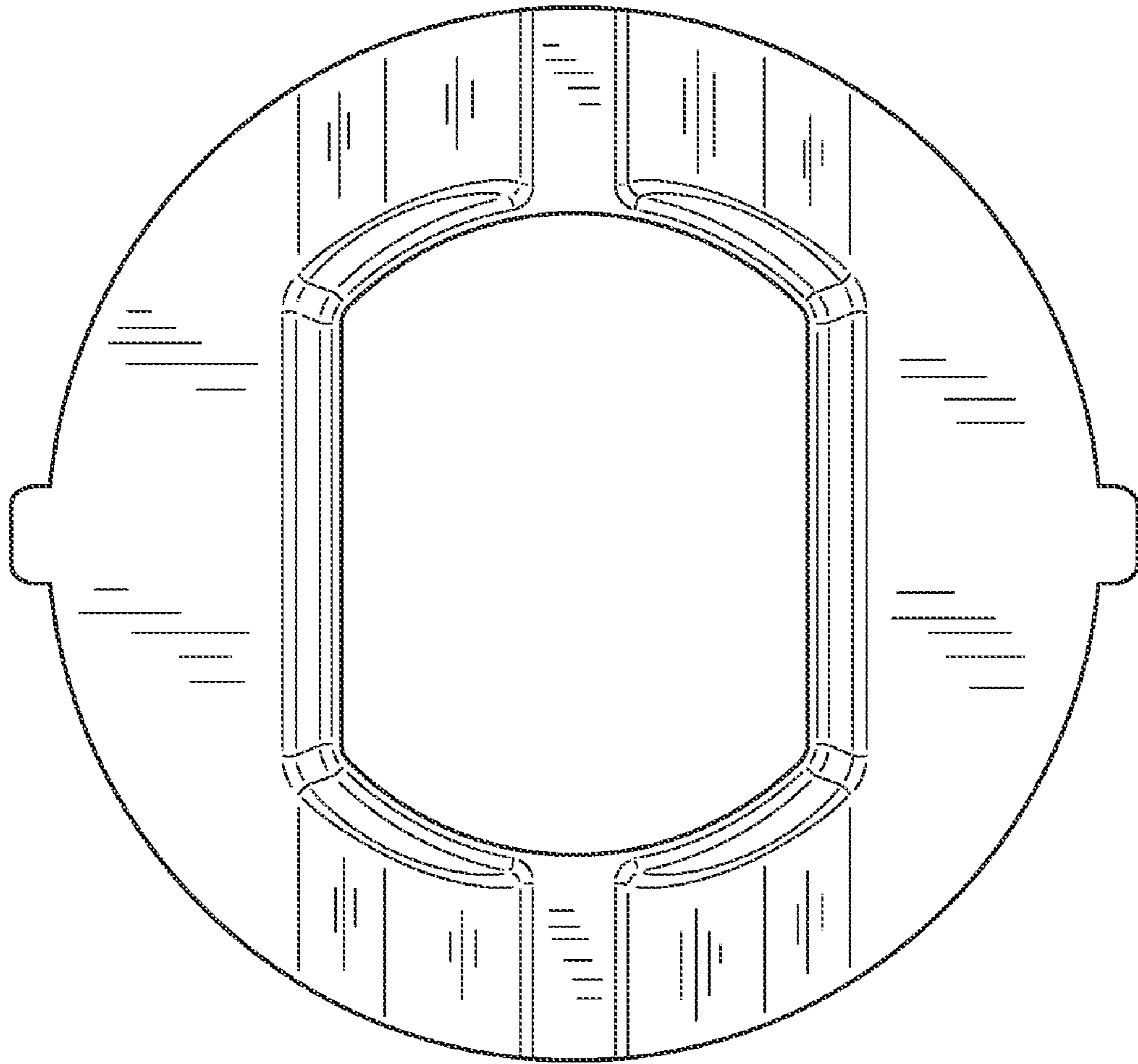


FIG.4

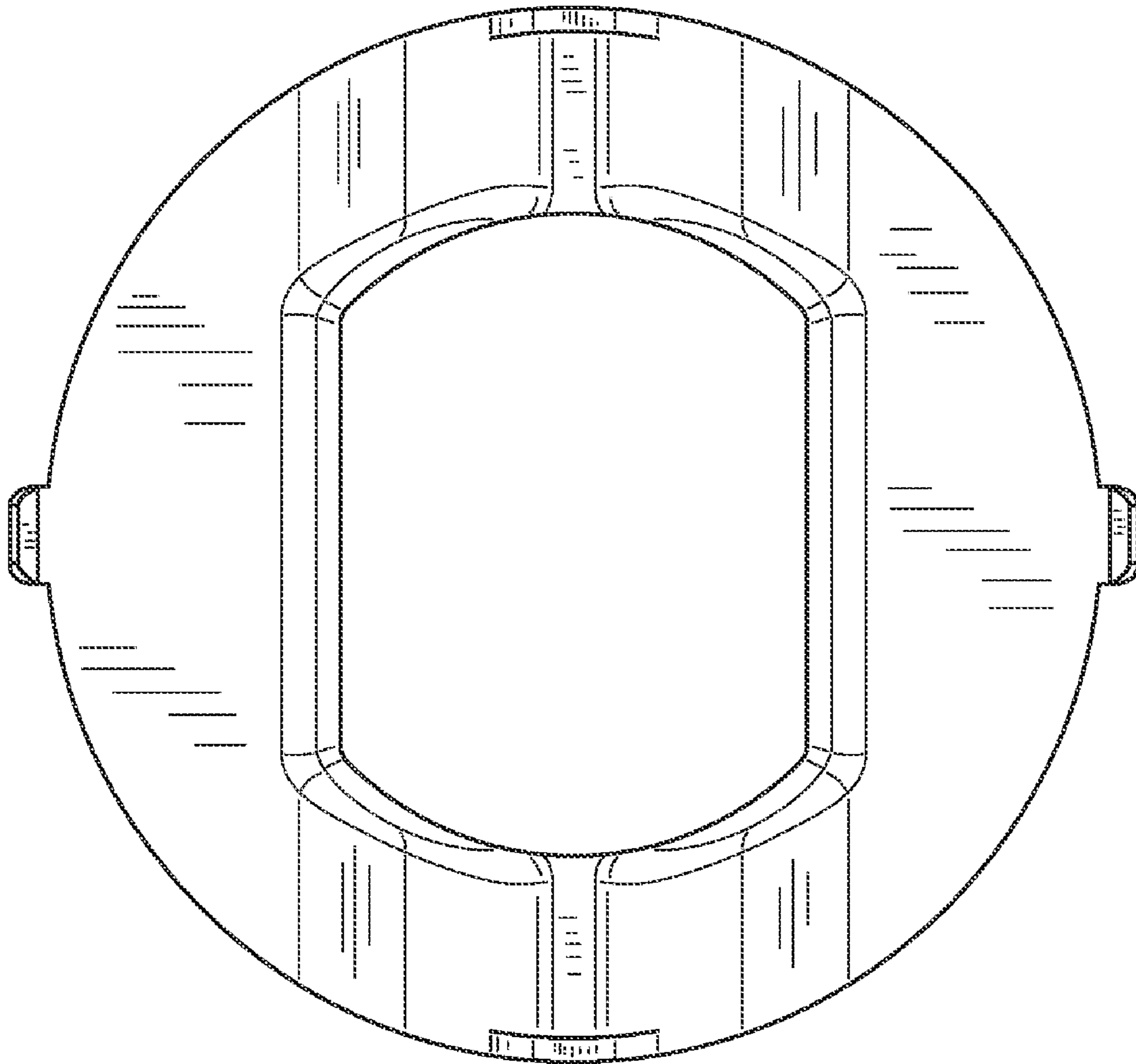


FIG. 5

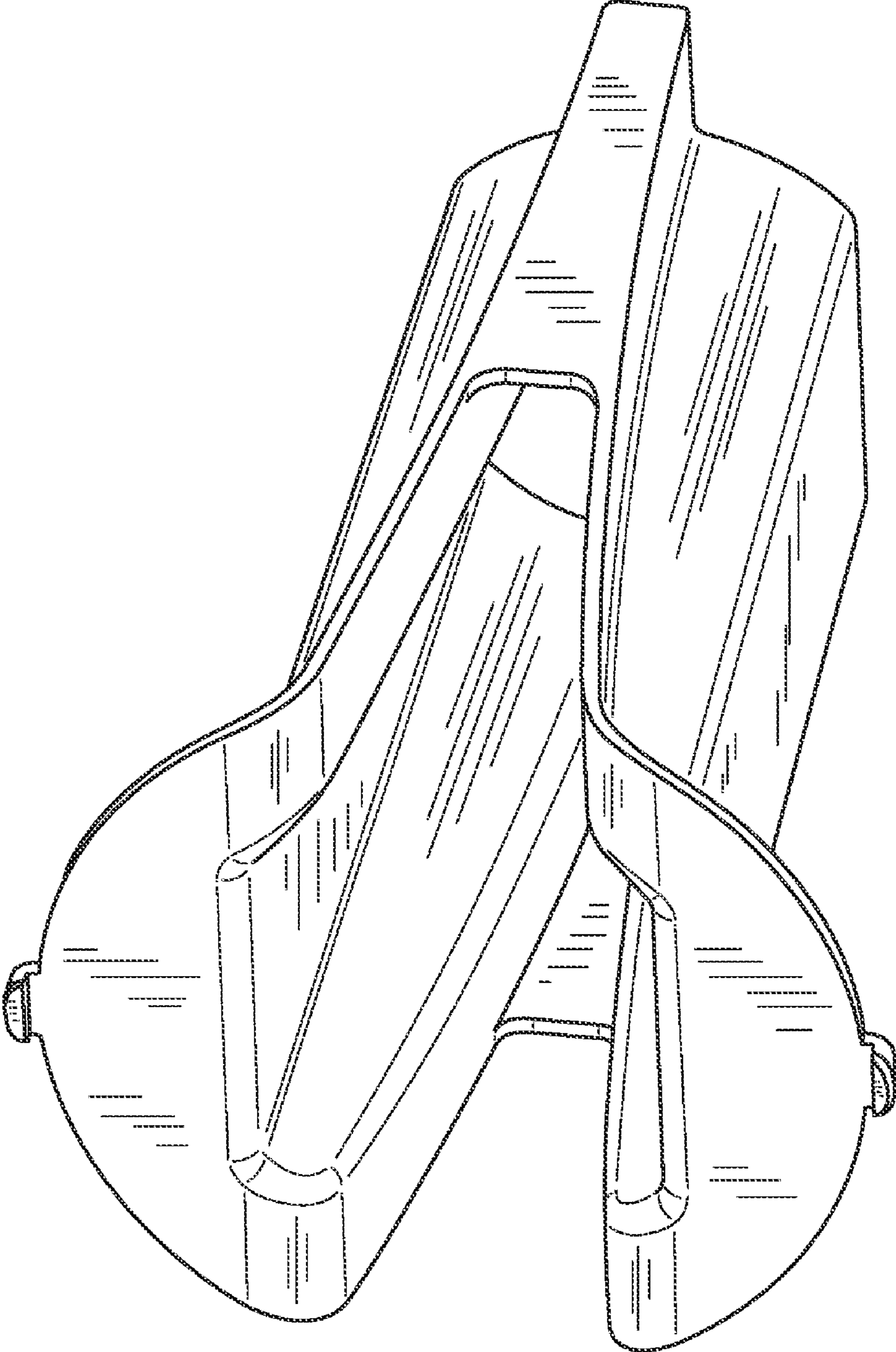


FIG.6

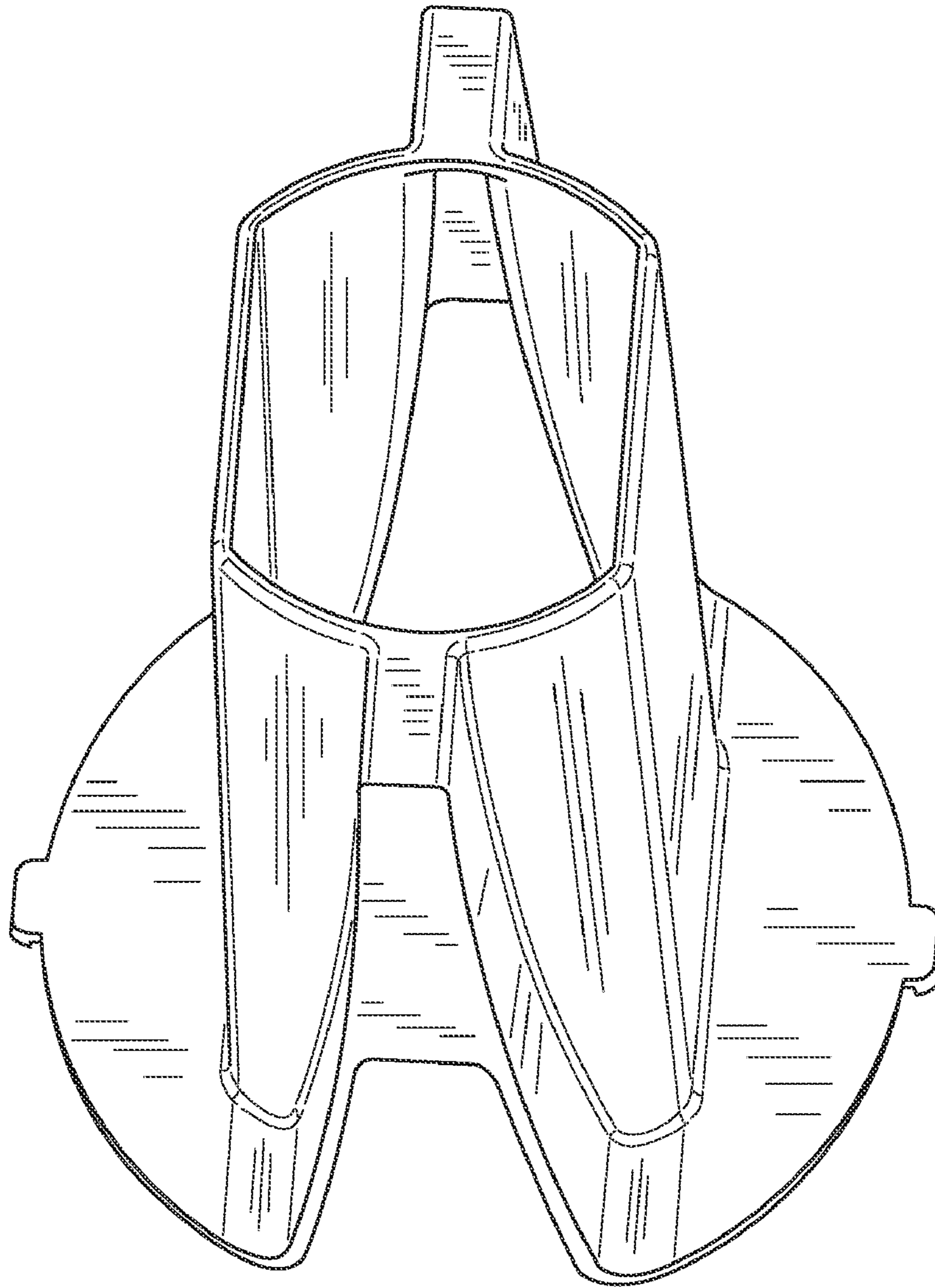


FIG.7

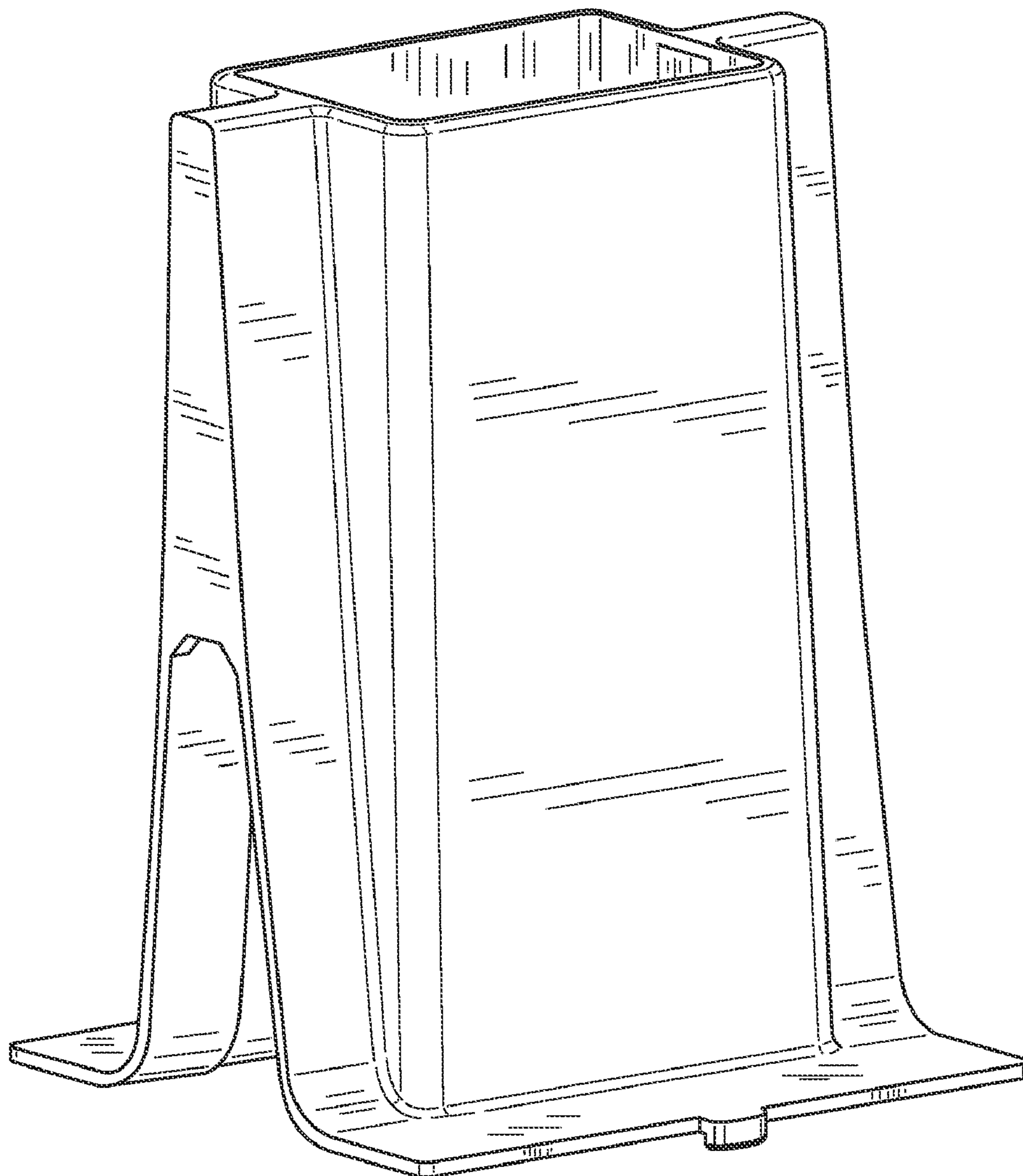


FIG.8

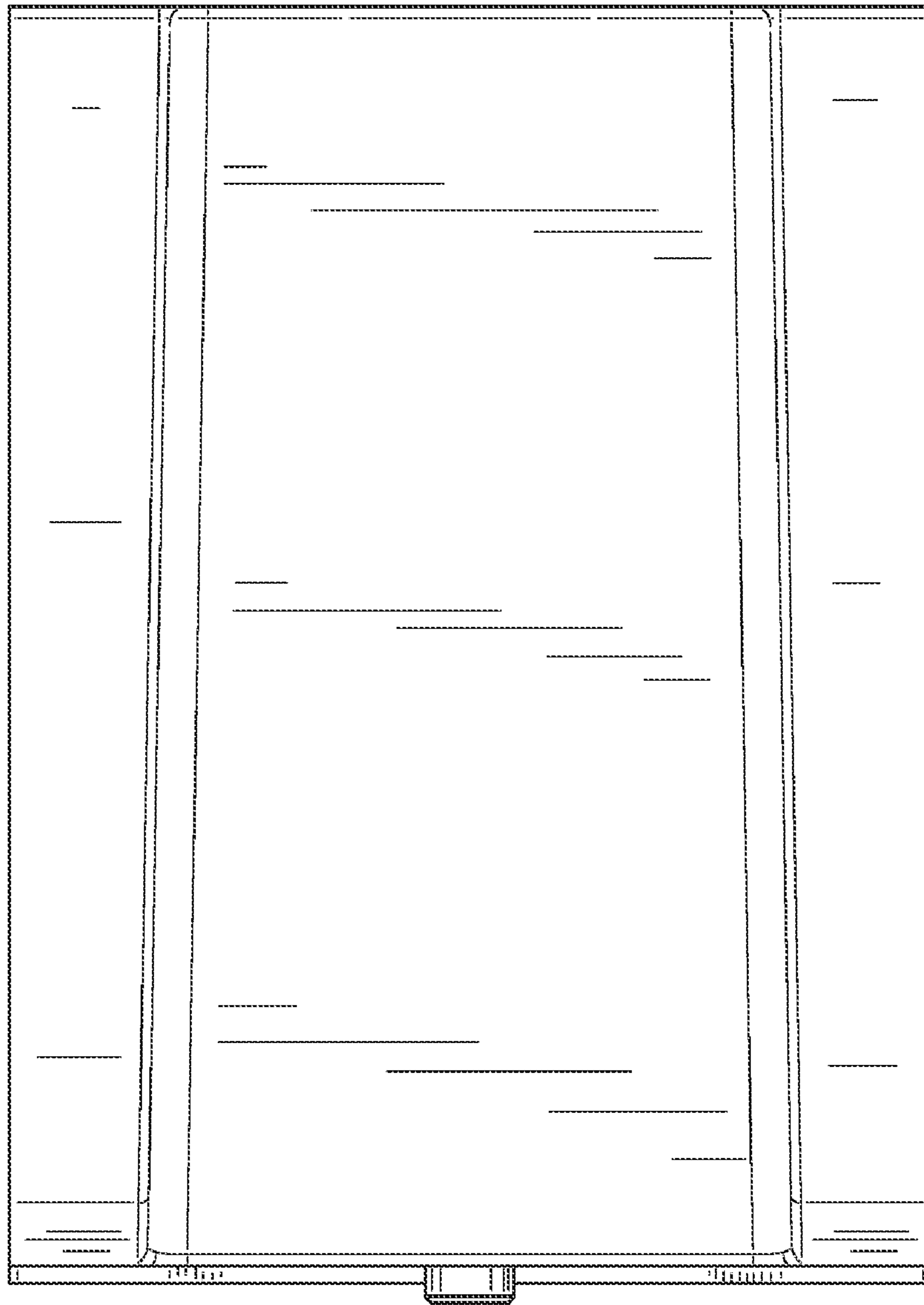


FIG. 9

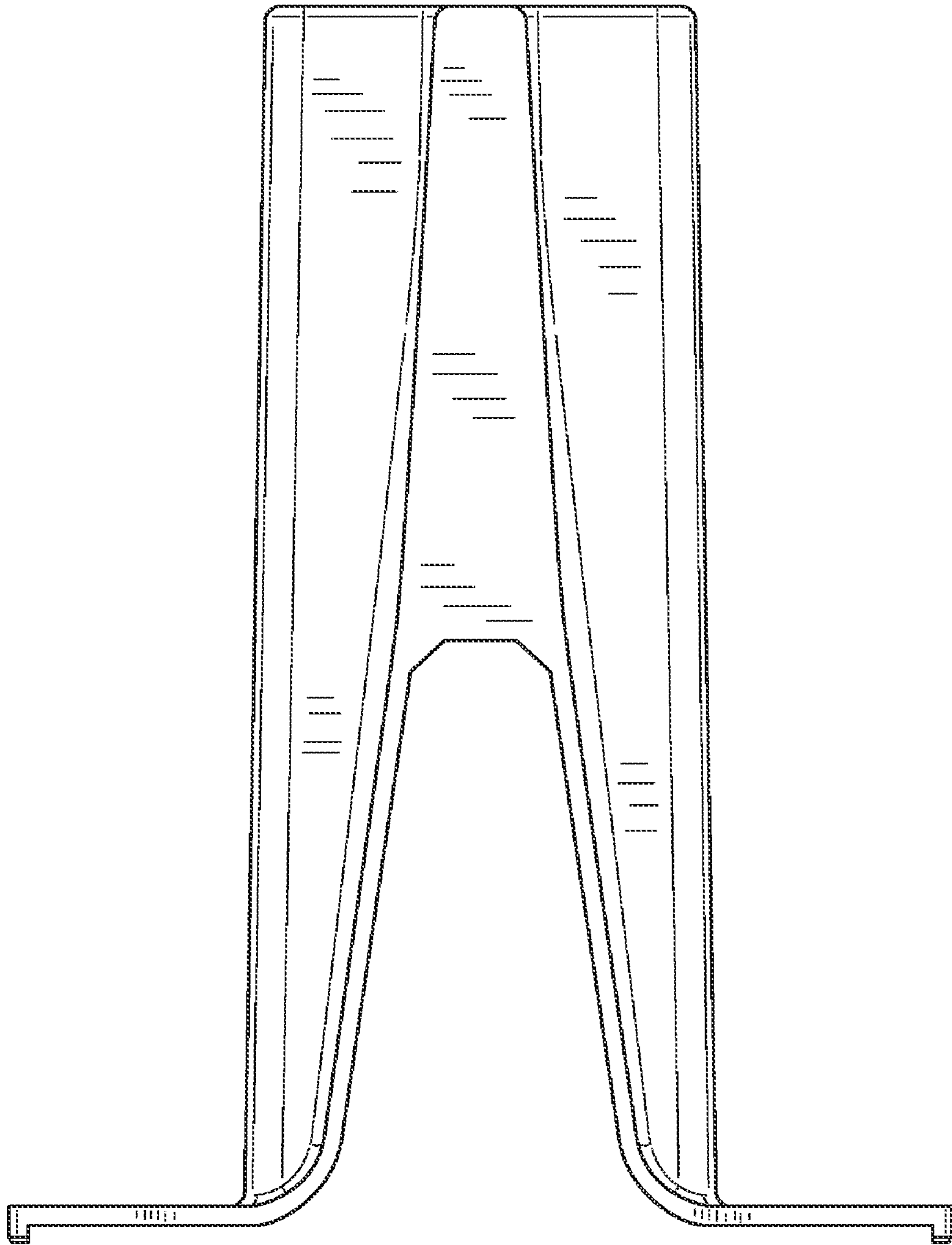


FIG. 10

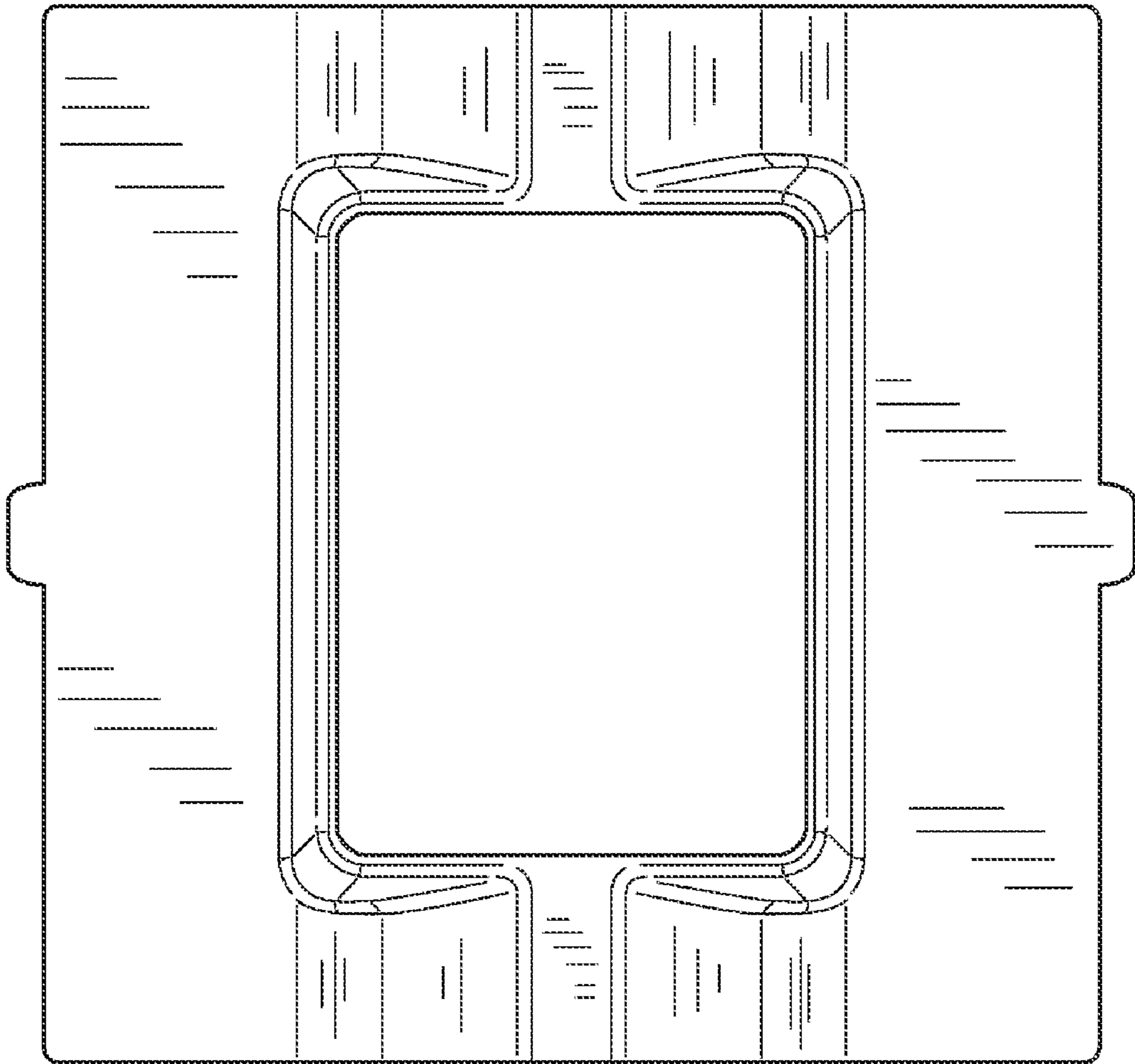


FIG.11

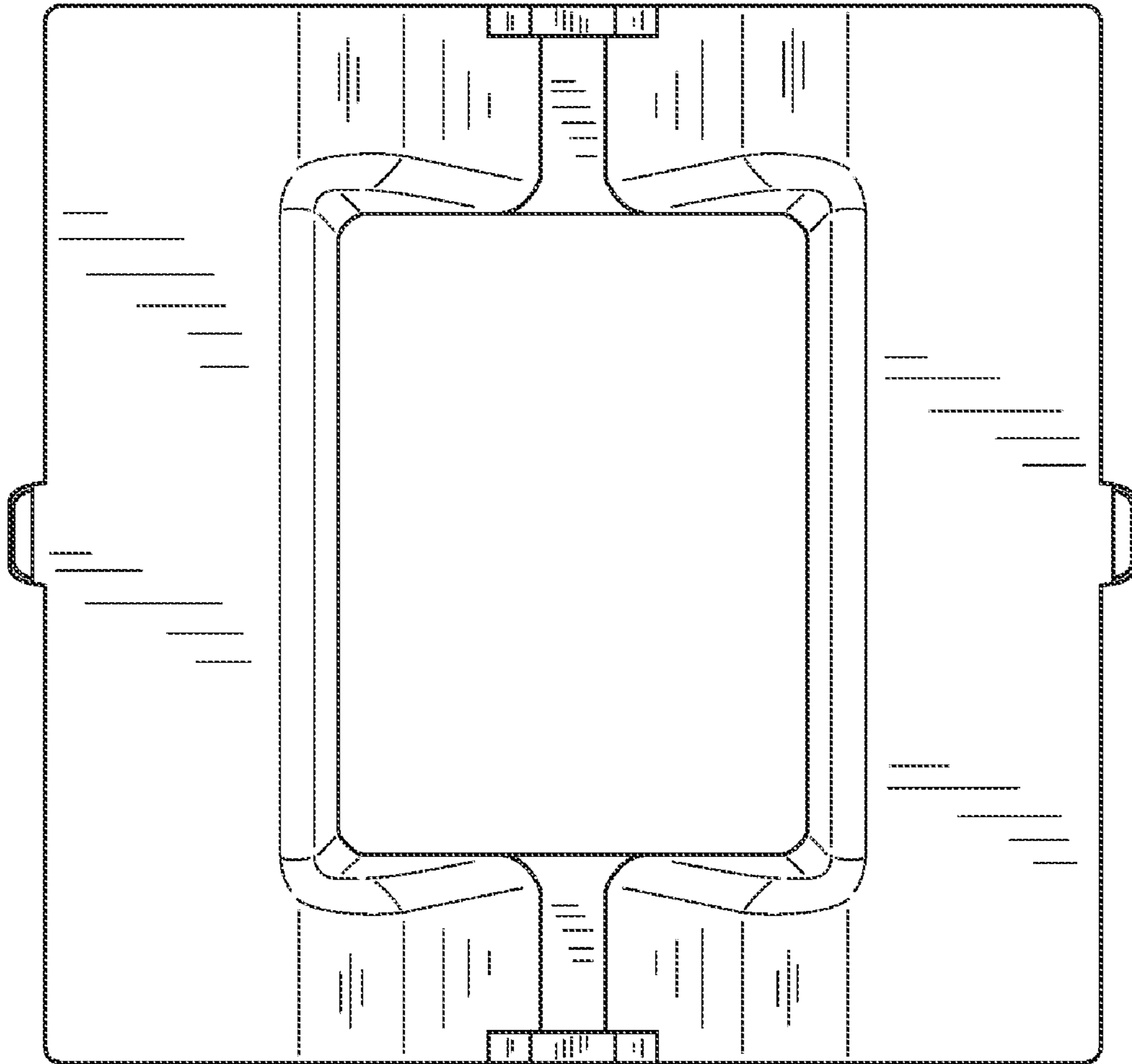


FIG. 12

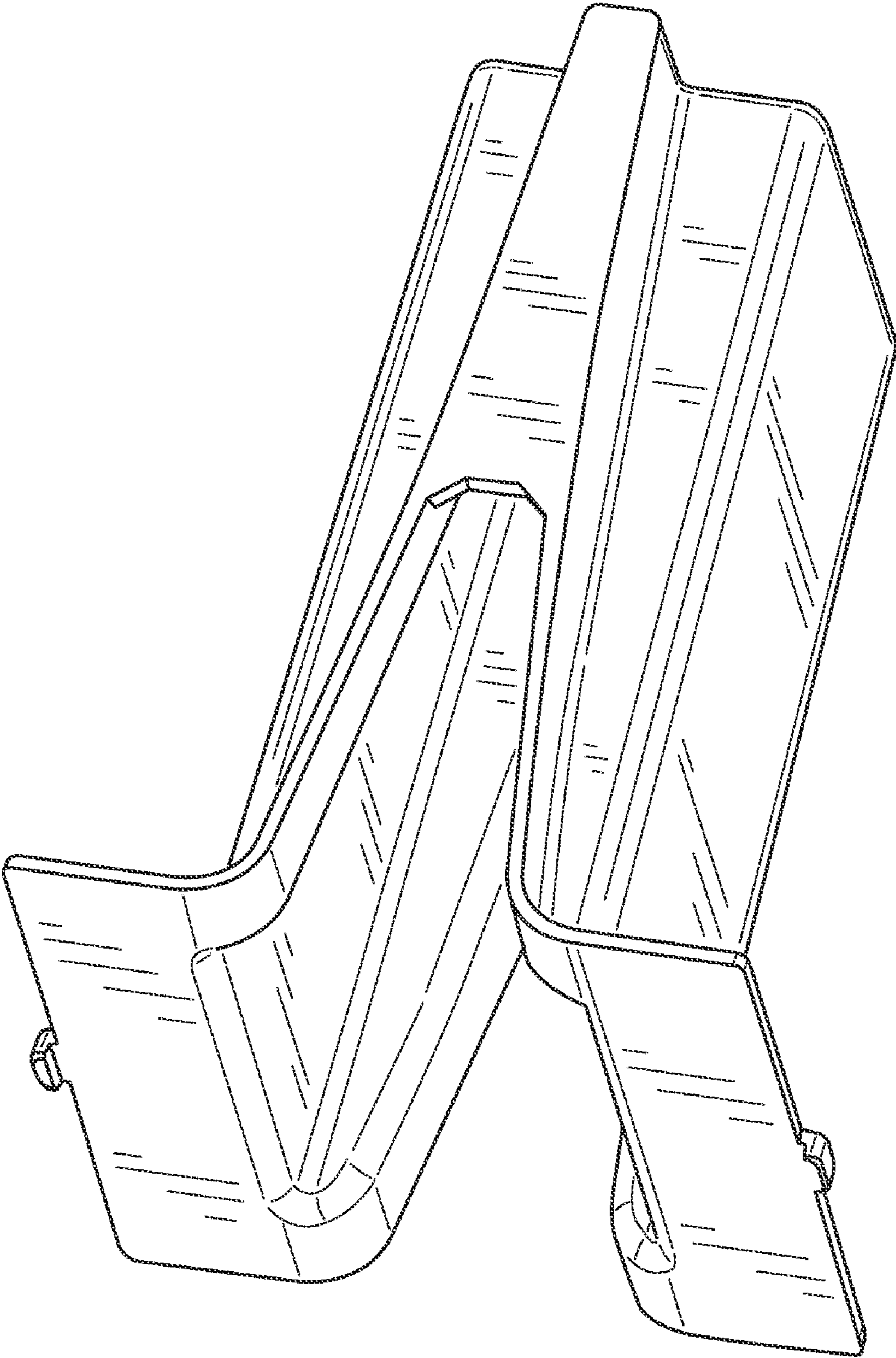


FIG. 13

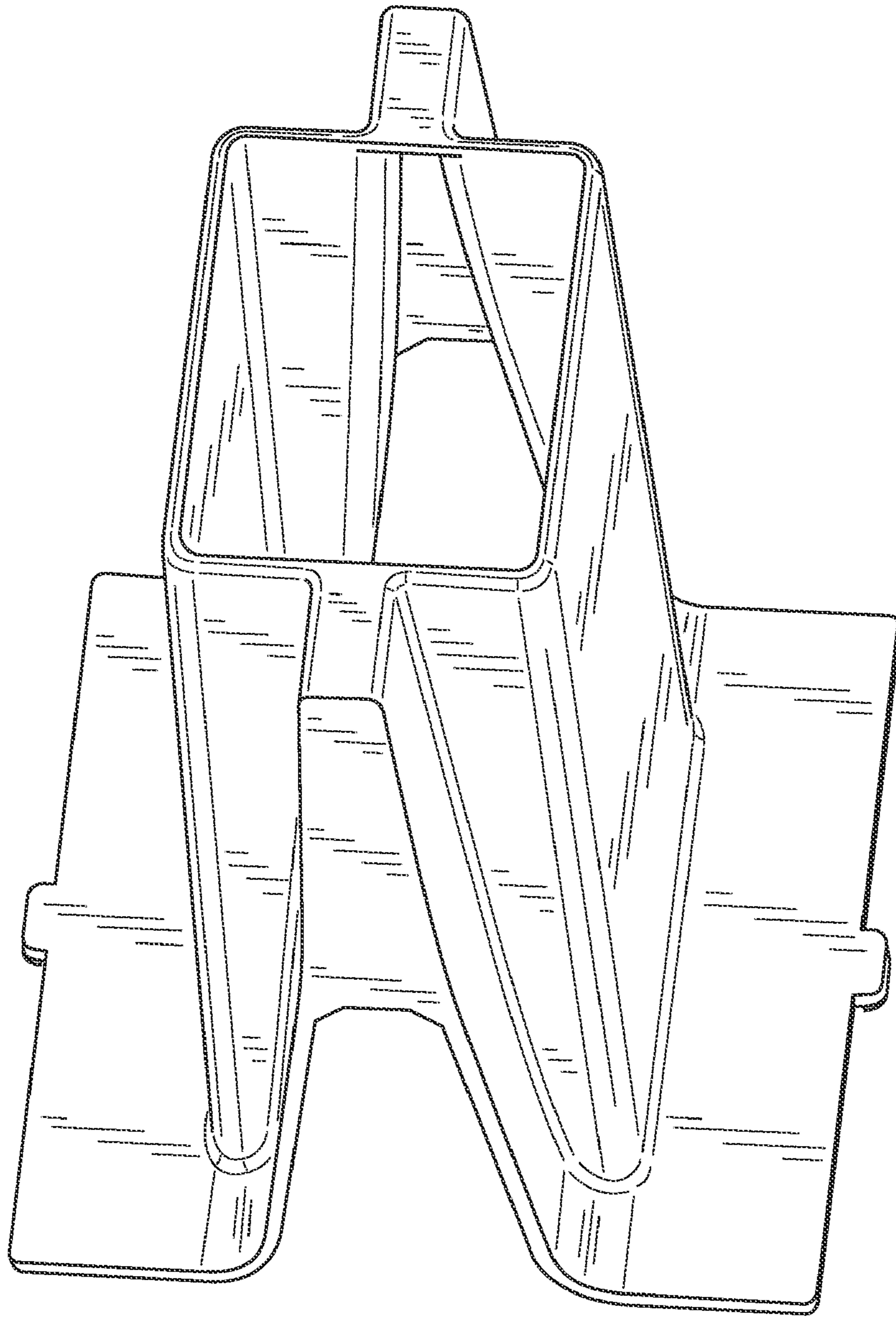


FIG.14