



US00D664300S

(12) **United States Design Patent**
Ton

(10) **Patent No.:** **US D664,300 S**

(45) **Date of Patent:** **** Jul. 24, 2012**

(54) **GEL POLISH REMOVER**

(76) Inventor: **Quy That Ton**, Baton Rouge, LA (US)

(**) Term: **14 Years**

(21) Appl. No.: **29/404,493**

(22) Filed: **Oct. 21, 2011**

(51) **LOC (9) Cl.** **28-03**

(52) **U.S. Cl.** **D28/57**

(58) **Field of Classification Search** D28/56-57,
D28/63; 132/73, 73.5, 74.5; 15/210.1, 244.1,
15/244.4, 104.94; D32/40

See application file for complete search history.

(56) **References Cited**

U.S. PATENT DOCUMENTS

D126,595 S *	4/1941	Speik	D32/40
3,369,553 A *	2/1968	Keesee	132/73.5
4,282,891 A *	8/1981	Duceppe	132/73.5
4,530,726 A *	7/1985	Montiel	132/73.5
4,800,904 A *	1/1989	Kinseley et al.	132/73.5
5,026,541 A *	6/1991	Lanier	132/73.5

5,065,778 A *	11/1991	Terrell	132/74.5
D379,696 S *	6/1997	Styles	D28/63
6,575,172 B1 *	6/2003	Crosby	132/74.5

* cited by examiner

Primary Examiner — Jennifer Rivard

(74) *Attorney, Agent, or Firm* — Next IP Law Group LLP

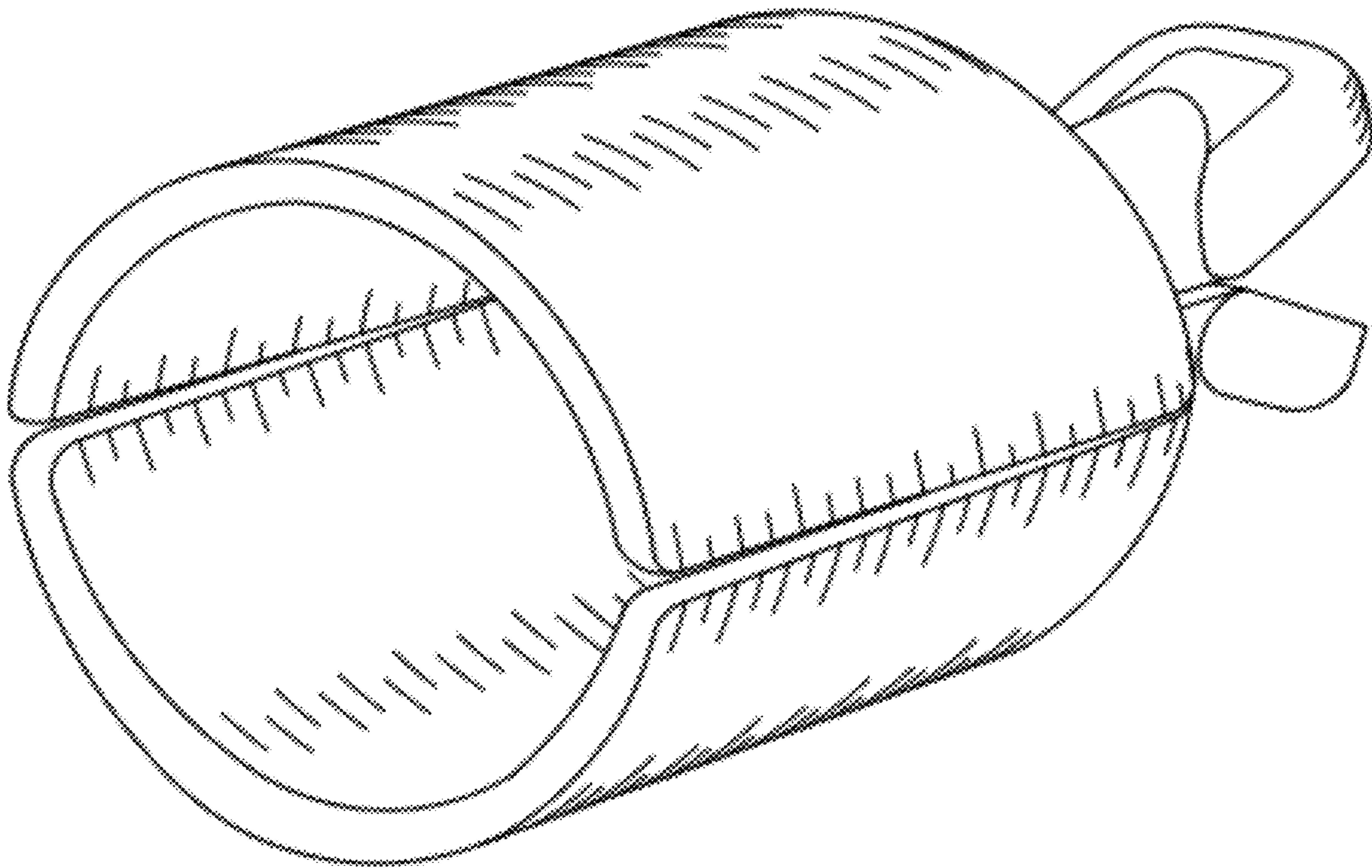
(57) **CLAIM**

The ornamental design for a gel polish remover, as shown and described.

DESCRIPTION

FIG. 1 is a front elevation view of my new gel polish remover, where the rear elevation view is a mirror image thereof;
 FIG. 2 is a left side elevation view, where the right side elevation view is a mirror image thereof;
 FIG. 3 is a perspective view showing the bottom, left side and front view of the gel polish remover;
 FIG. 4 is a perspective view showing the top, right side and rear view of the gel polish remover;
 FIG. 5 is a bottom plan view thereof; and,
 FIG. 6 is a top plan view thereof.

1 Claim, 3 Drawing Sheets



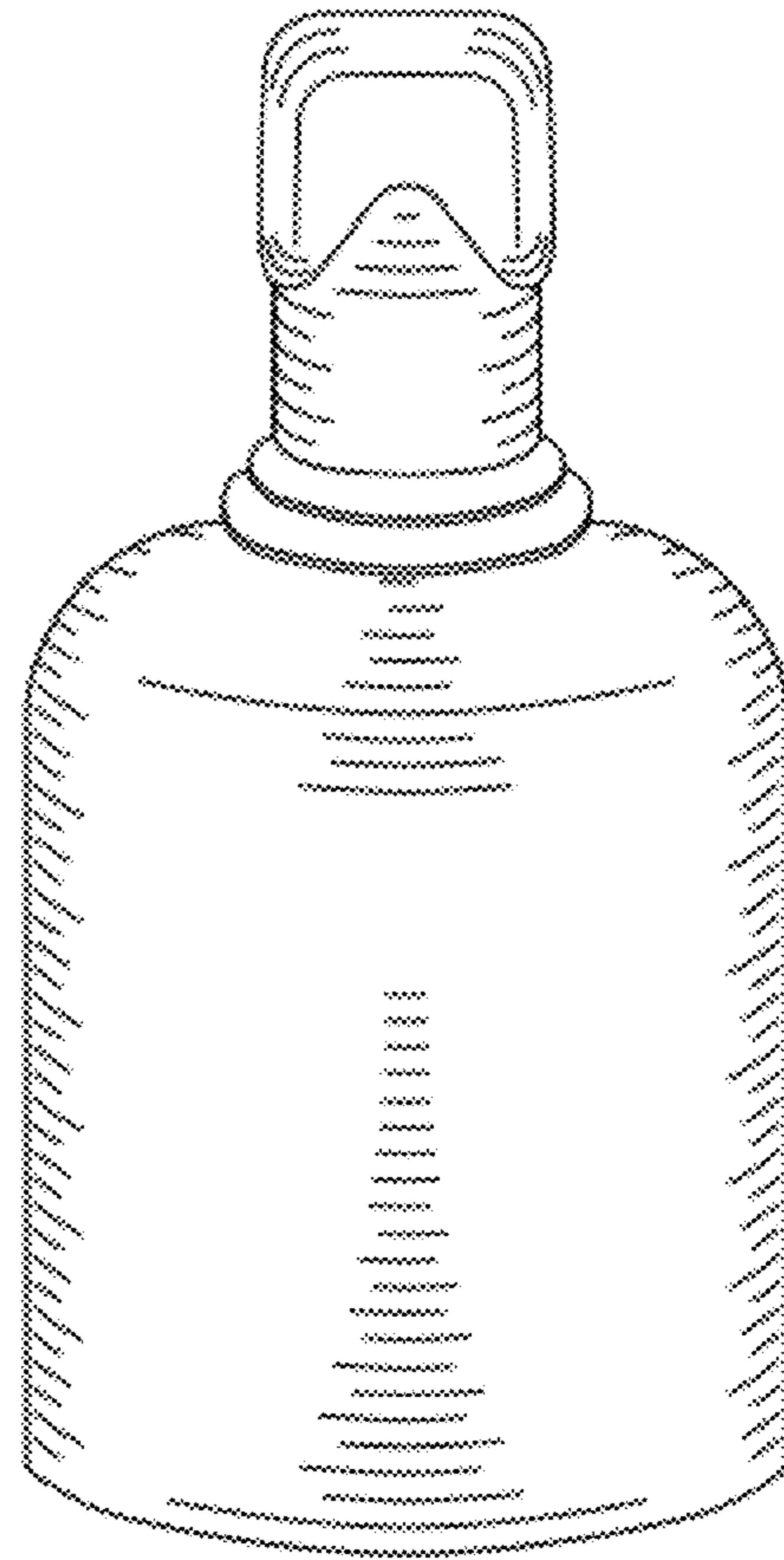


FIG. 1

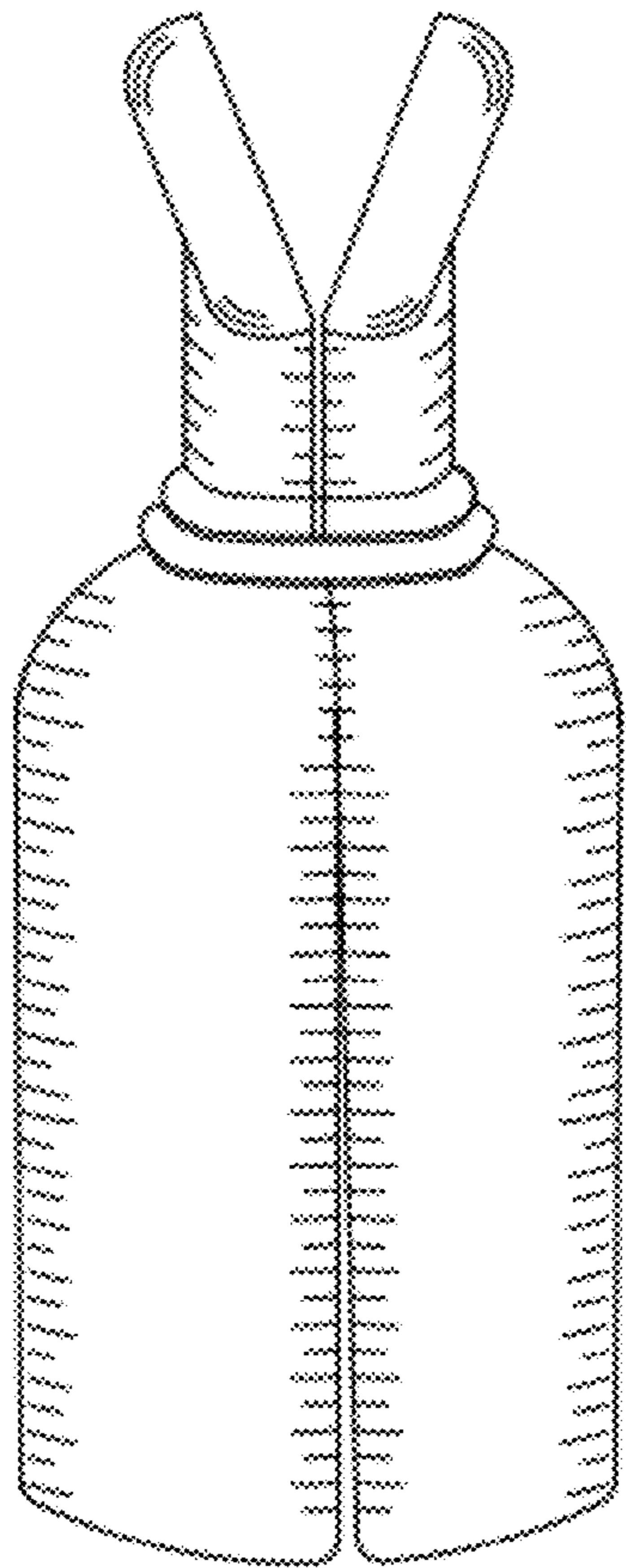


FIG. 2

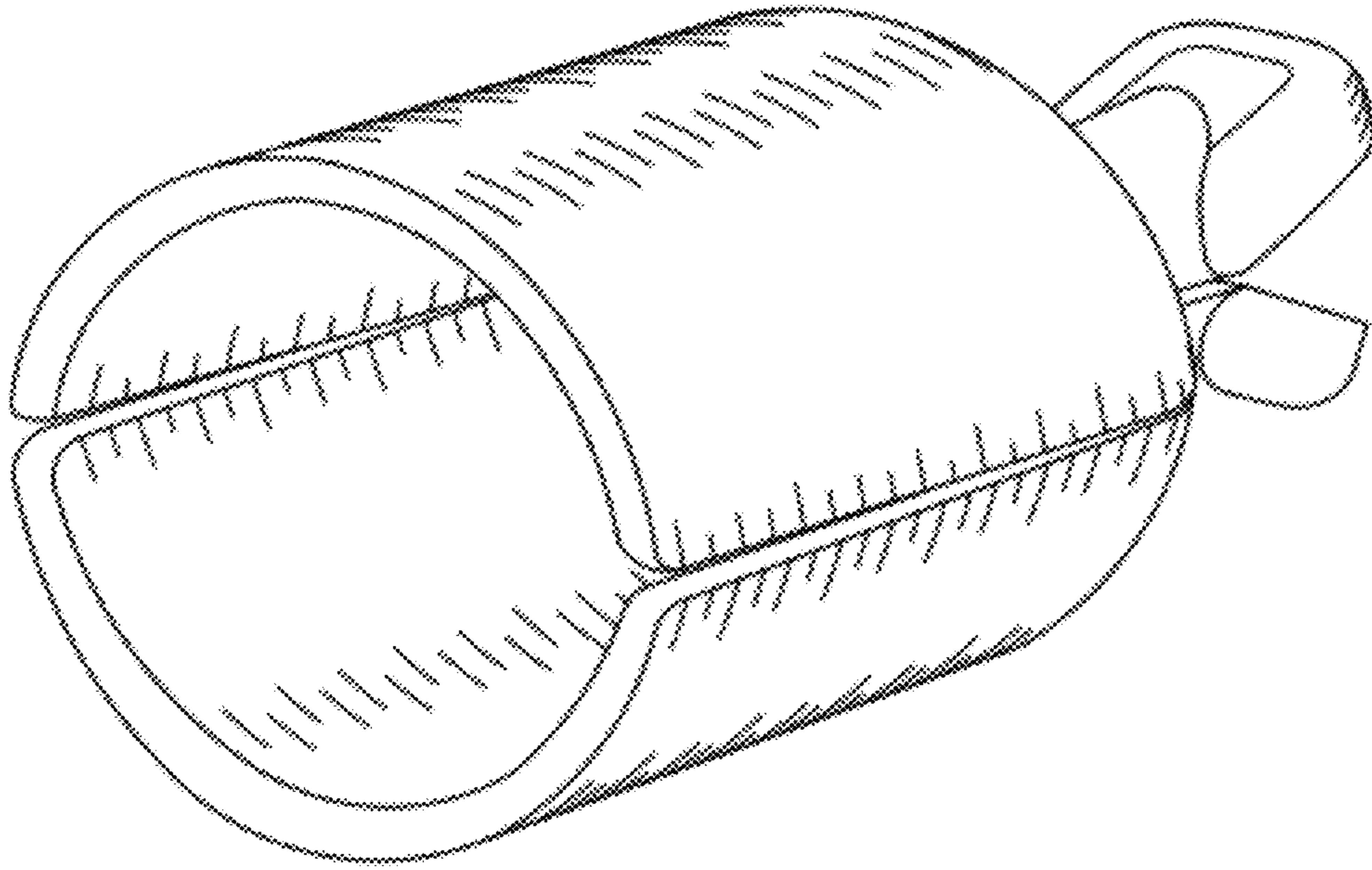


FIG. 3

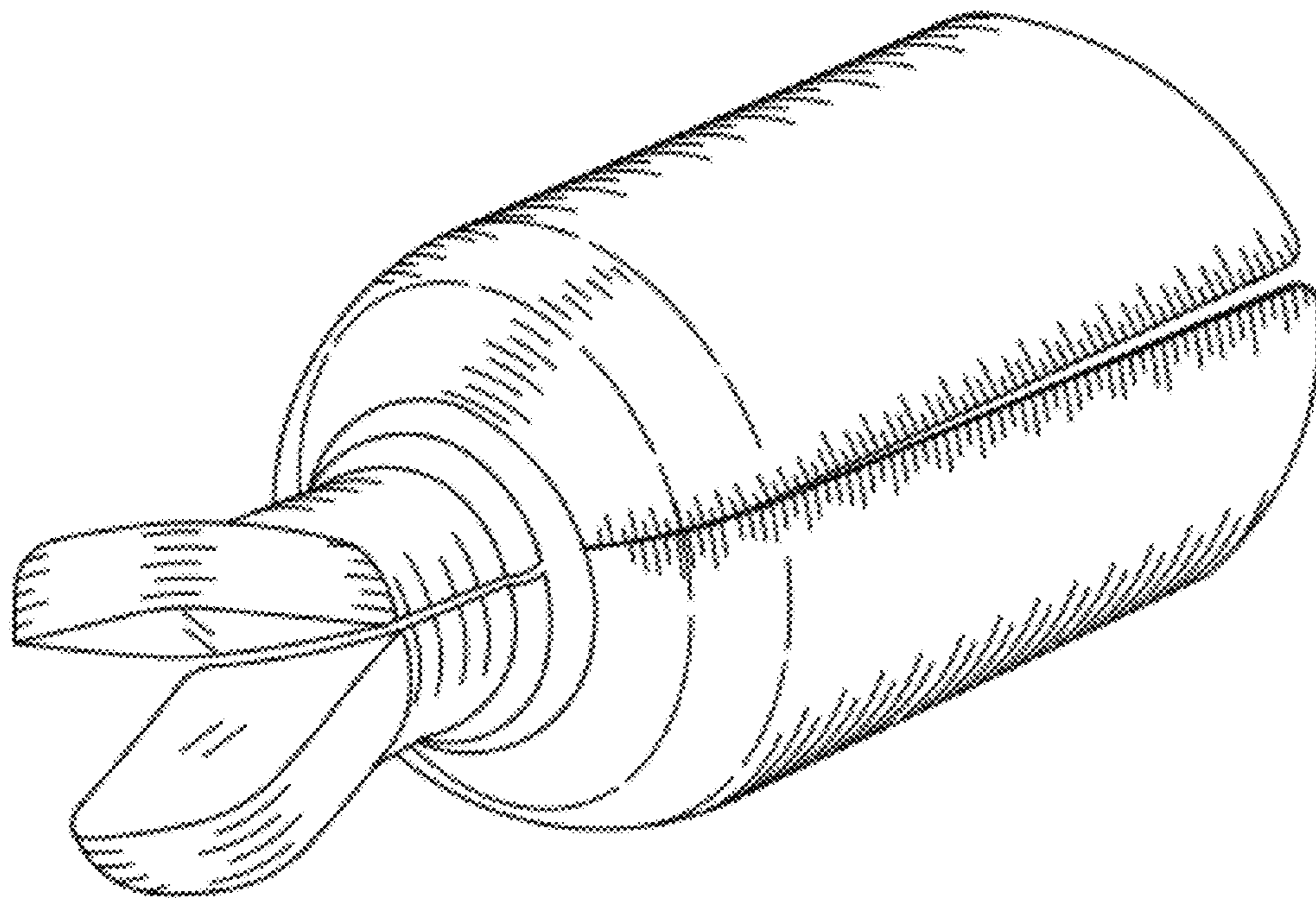


FIG. 4

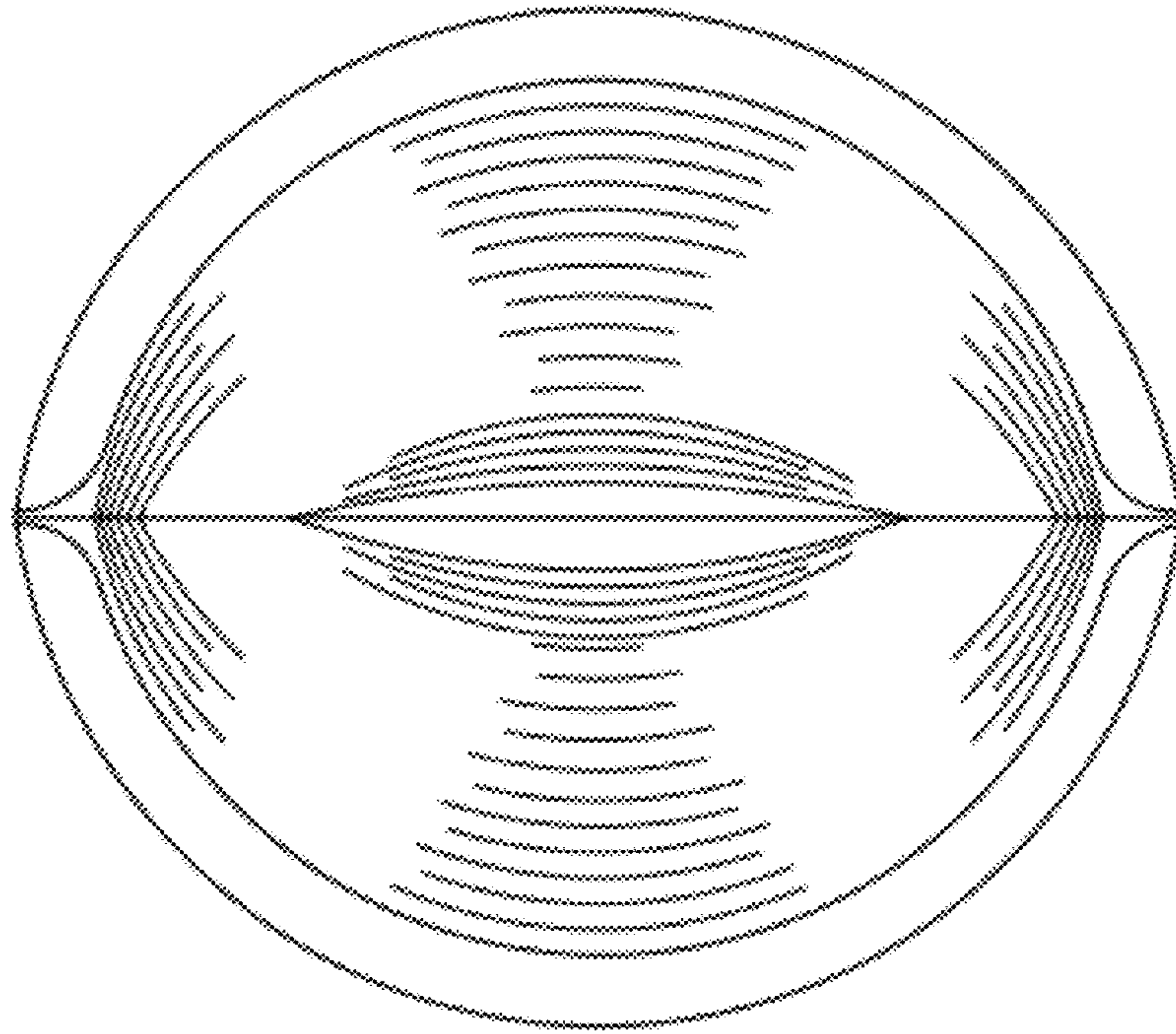


FIG. 5

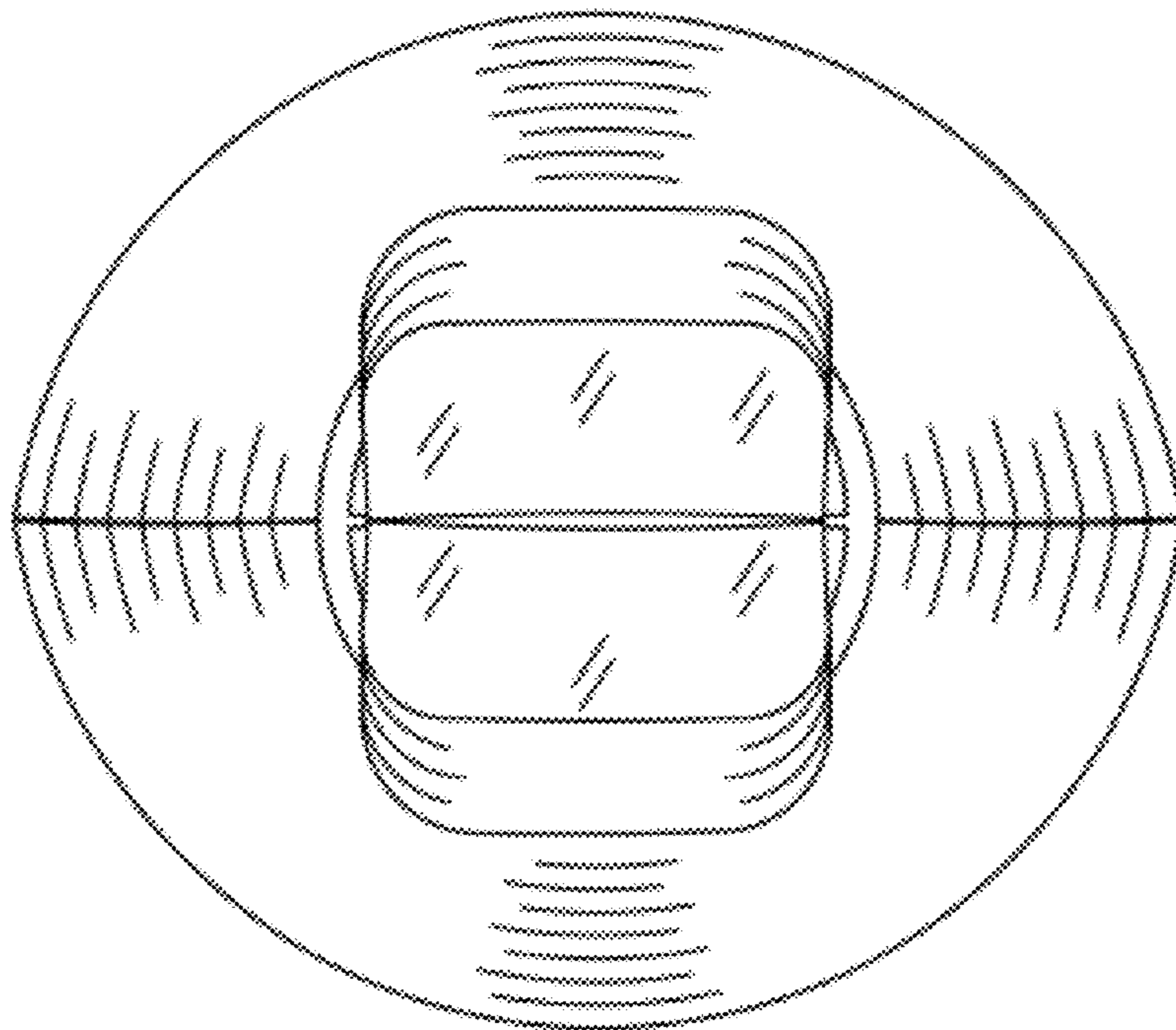


FIG. 6