



US00D664296S

(12) **United States Design Patent**  
**Kling et al.**

(10) **Patent No.:** **US D664,296 S**  
(45) **Date of Patent:** **\*\* Jul. 24, 2012**

(54) **HAND-HELD ELECTRICAL DEVICE**

(75) Inventors: **Björn Kling**, Glashütten (DE); **Fritz T Schubert**, Bad Camberg (DE)

(73) Assignee: **Braun GmbH**, Kronberg (DE)

(\*\*) Term: **14 Years**

(21) Appl. No.: **29/407,281**

(22) Filed: **Nov. 28, 2011**

**Related U.S. Application Data**

(62) Division of application No. 29/390,020, filed on Apr. 19, 2011, now Pat. No. Des. 652,168.

(30) **Foreign Application Priority Data**

Oct. 20, 2010 (WO) ..... 569739801

(51) **LOC (9) Cl.** ..... **28-03**

(52) **U.S. Cl.** ..... **D28/44.1; D24/133**

(58) **Field of Classification Search** ..... 30/32, 34.05, 30/34.1-34.2, 30-31, 43-43.92, 44-45, 47-51, 30/77-84, 526-541, 346.5-346.61, 194-196, 30/198-205, 208-216, 233-233.5; D28/44-44.1, D28/45-54, 7; D24/133, 146; 606/9, 133, 606/131

See application file for complete search history.

(56) **References Cited**

**U.S. PATENT DOCUMENTS**

D523,174 S 6/2006 Ohta  
D530,449 S 10/2006 Kling  
D539,979 S 4/2007 Ohta  
D567,441 S 4/2008 Kling

D577,862 S 9/2008 Kubono et al.  
D577,863 S 9/2008 Kubono et al.  
D610,307 S 2/2010 Hara et al.  
D632,434 S 2/2011 Maguire et al.  
D645,202 S \* 9/2011 Beedham ..... D28/44.1  
D645,203 S \* 9/2011 Doulobakas ..... D28/44.1  
D646,437 S \* 10/2011 Leventhal et al. .... D28/49  
D650,526 S \* 12/2011 Kling ..... D28/44.1  
2006/0168816 A1 8/2006 Wetzell et al.

**OTHER PUBLICATIONS**

U.S. Appl. No. 29/407,283, filed Nov. 28, 2011, Bjorn Kling et al.  
Bjorn Kling, "Electric Epilator Devices", European Community Design No. 0007161210-0001, Registered Apr. 30, 2007, Office for Harmonization in the Internal Market.  
International Registration Certificate, DM/068900, Apr. 30, 2007, Braun GmbH, 3 pgs.

\* cited by examiner

*Primary Examiner* — Jennifer Rivard

(74) *Attorney, Agent, or Firm* — Jeffrey V Bamber; Kim W Zerby

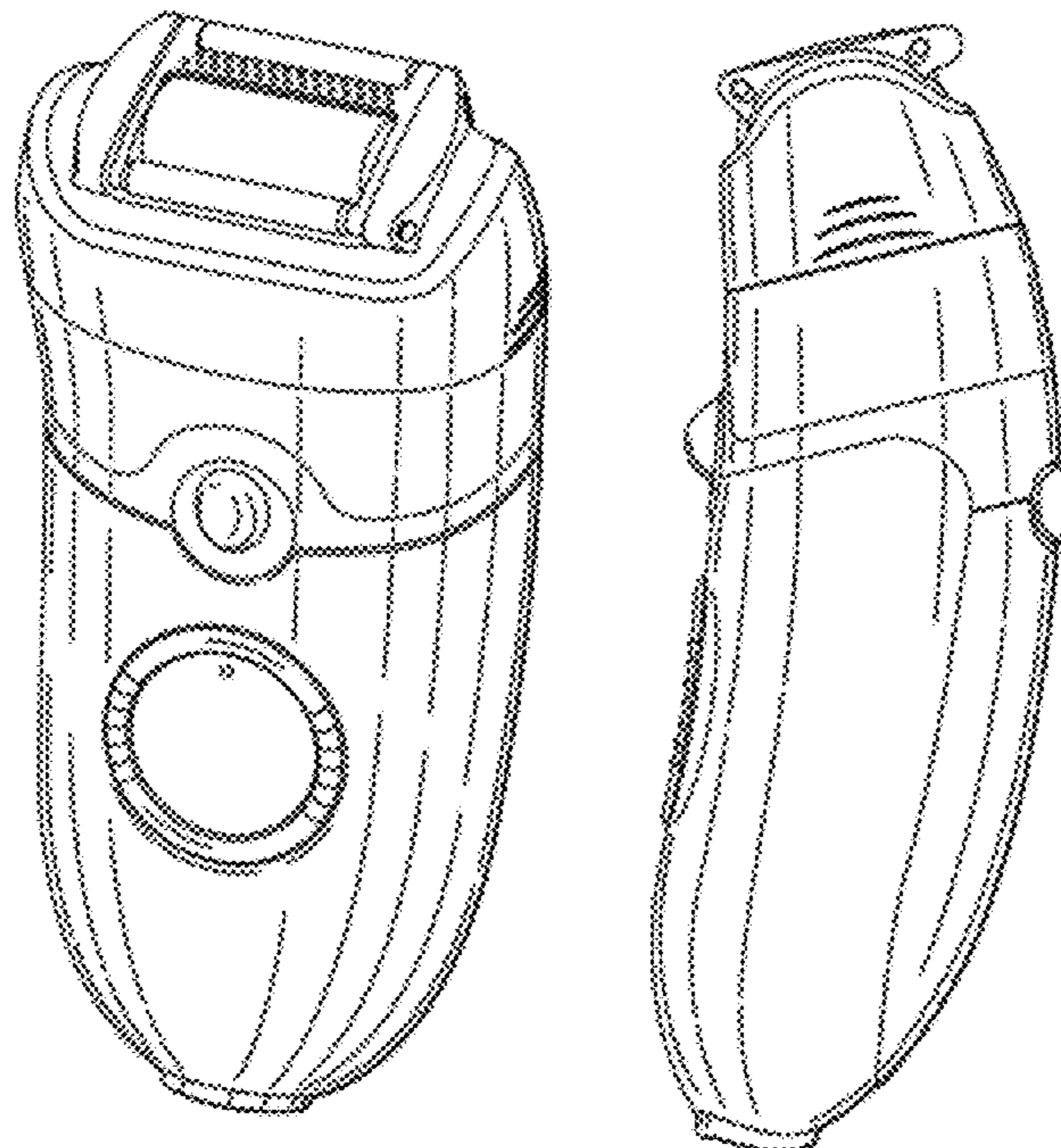
(57) **CLAIM**

The ornamental design for hand-held electrical device, as shown and described.

**DESCRIPTION**

FIG. 1 is a perspective view of hand-held electrical device embodying our new design;  
FIG. 2 is a front view thereof;  
FIG. 3 is a left side view thereof;  
FIG. 4 is a back view thereof;  
FIG. 5 is a right side view thereof;  
FIG. 6 is a top view thereof; and,  
FIG. 7 is a bottom view thereof.

**1 Claim, 3 Drawing Sheets**



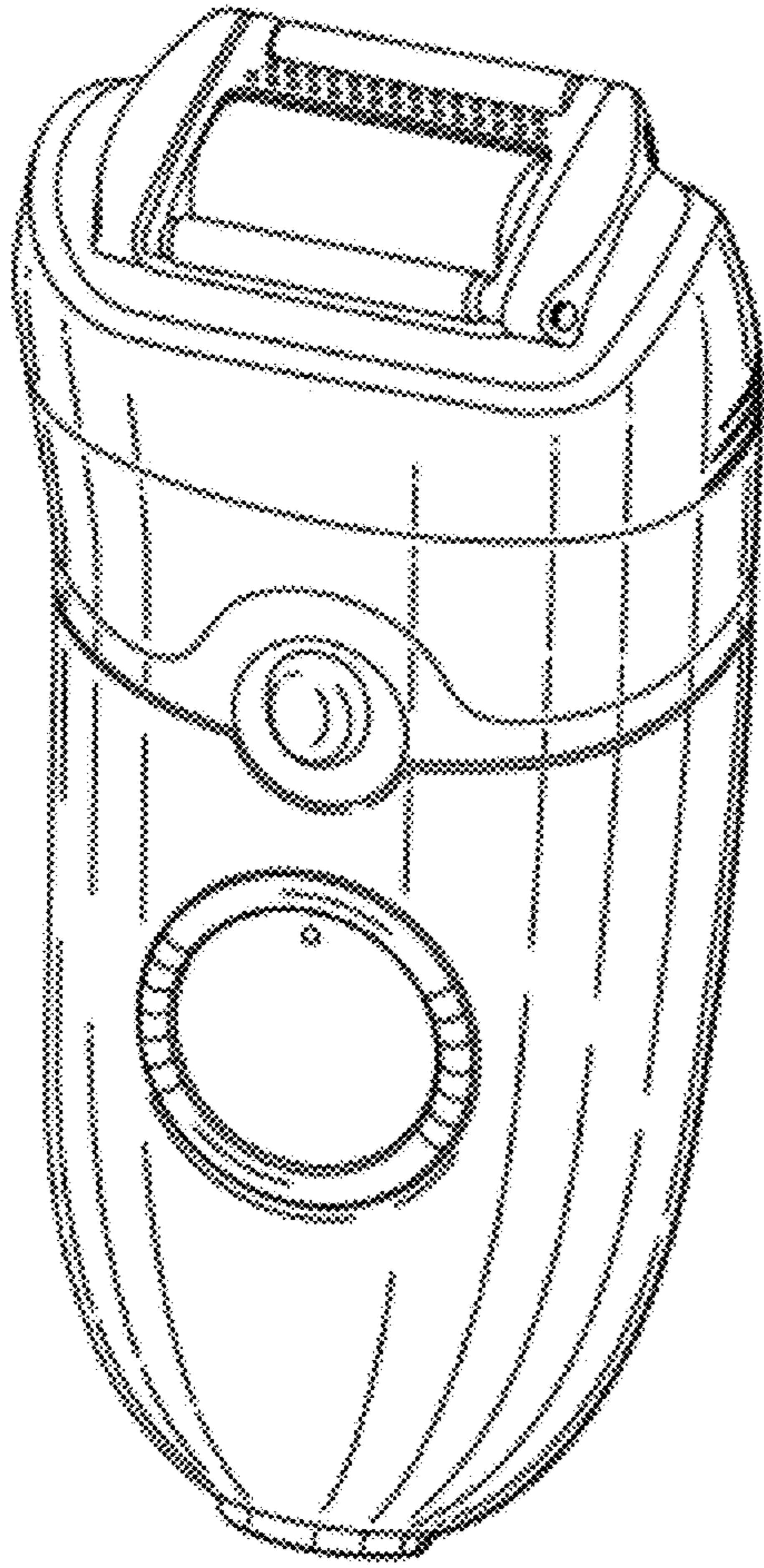


Fig. 1

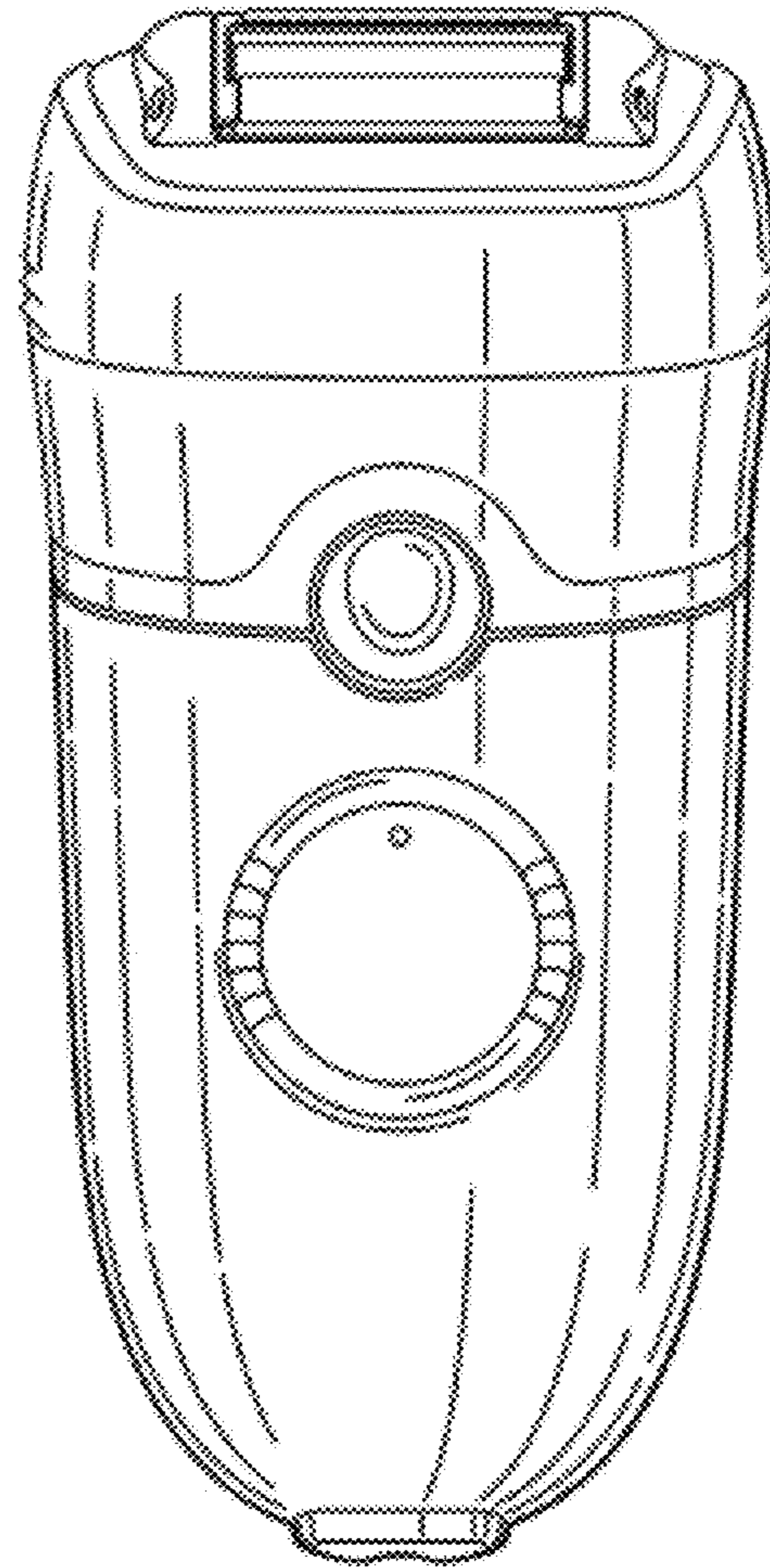


Fig. 2

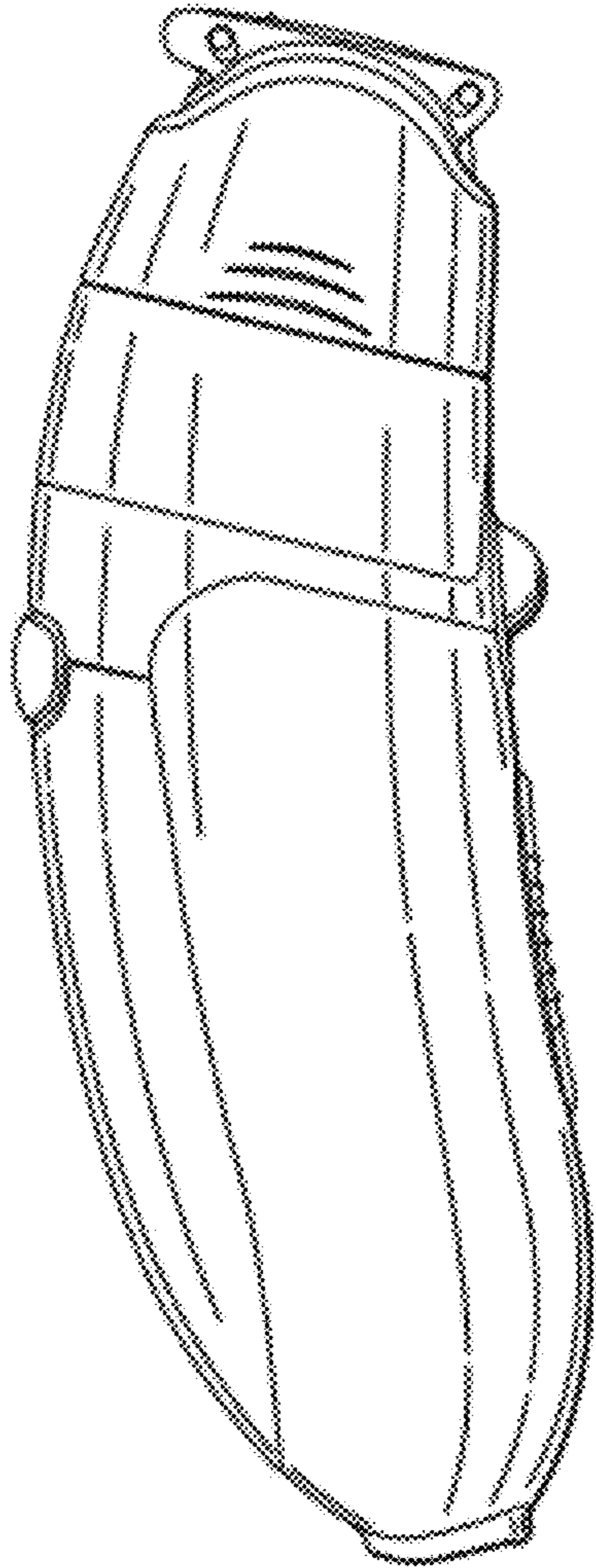


Fig. 3

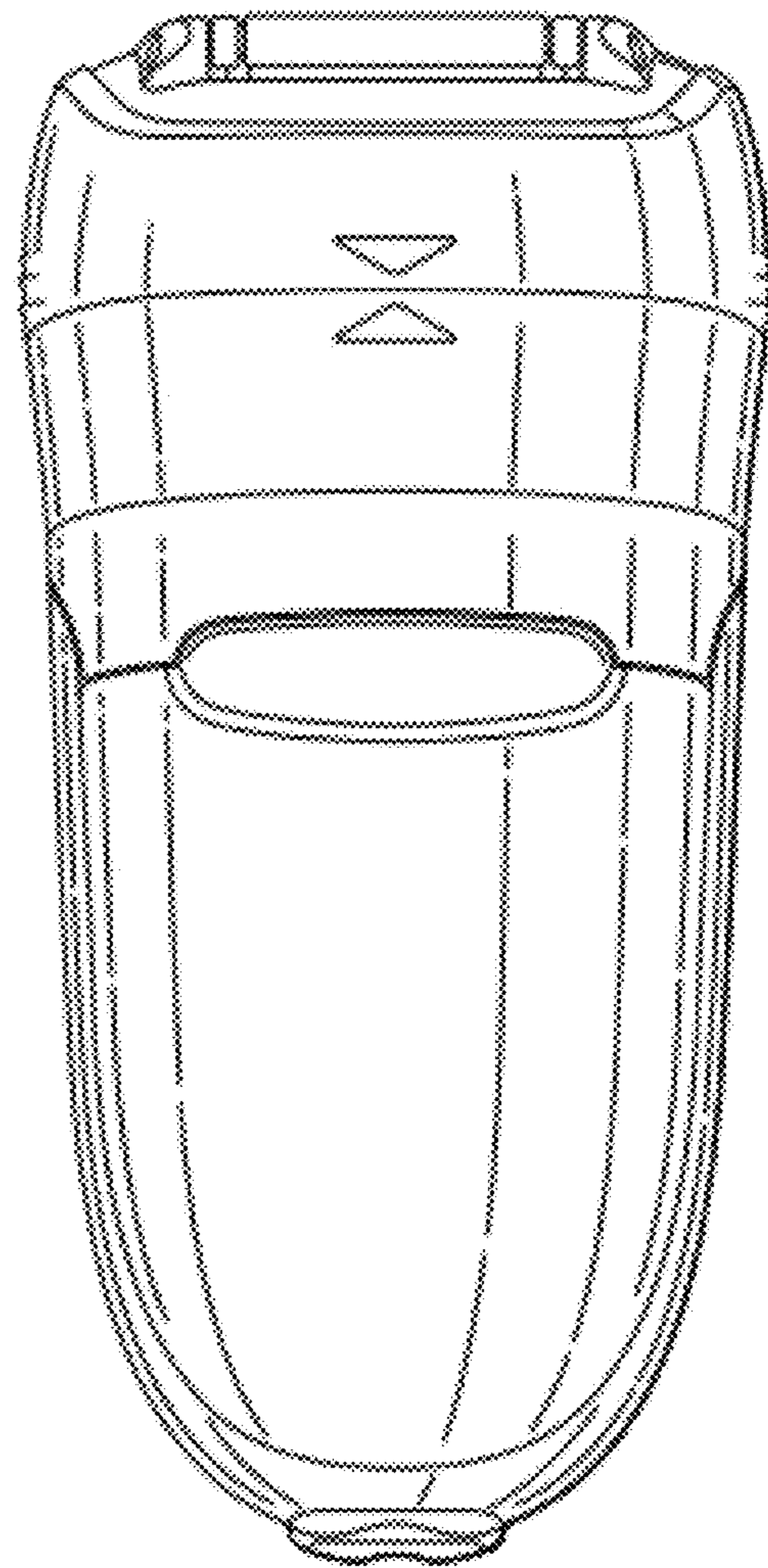


Fig. 4

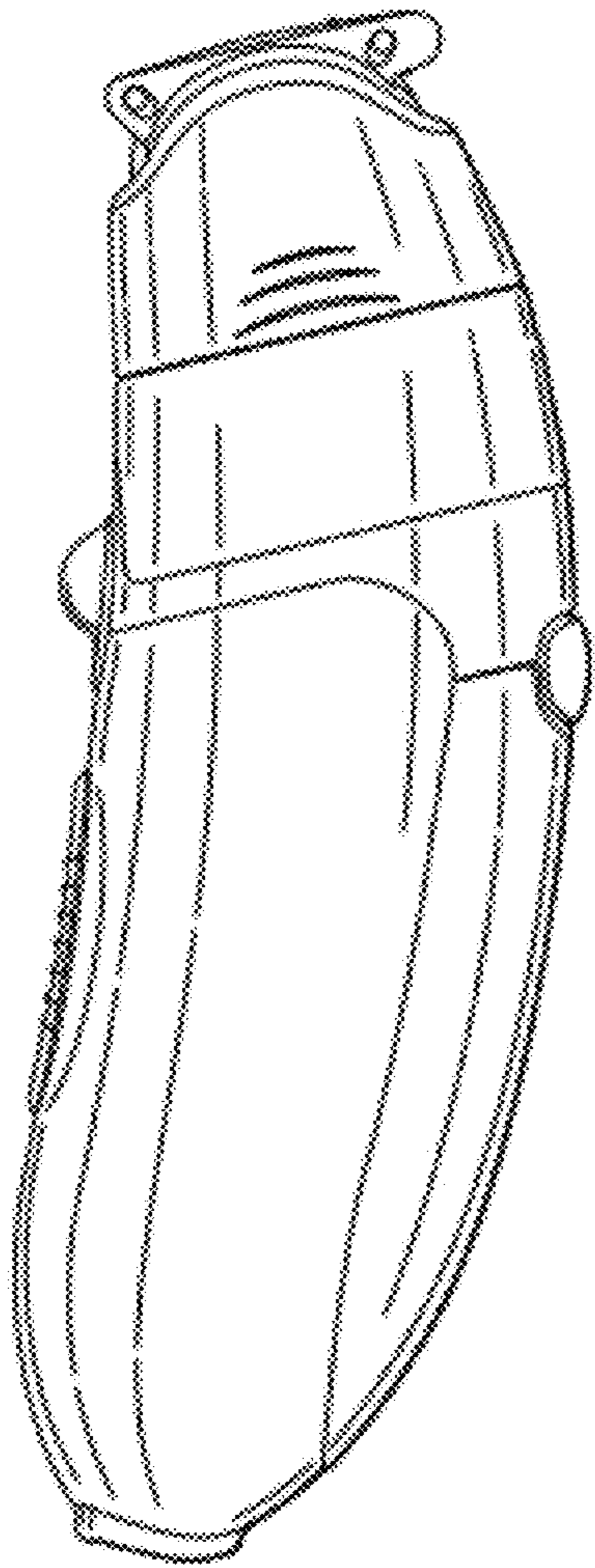


Fig. 5

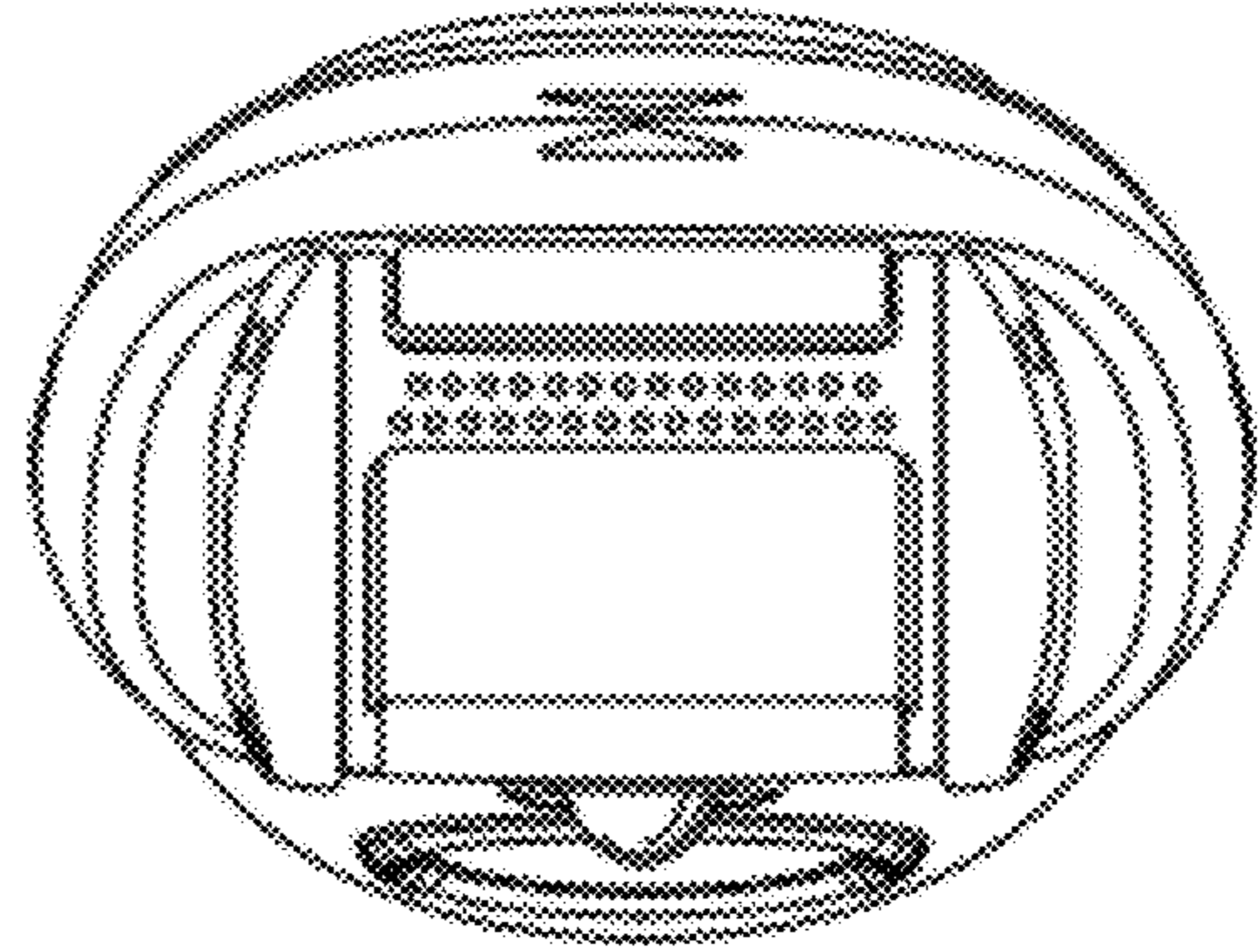


Fig. 6

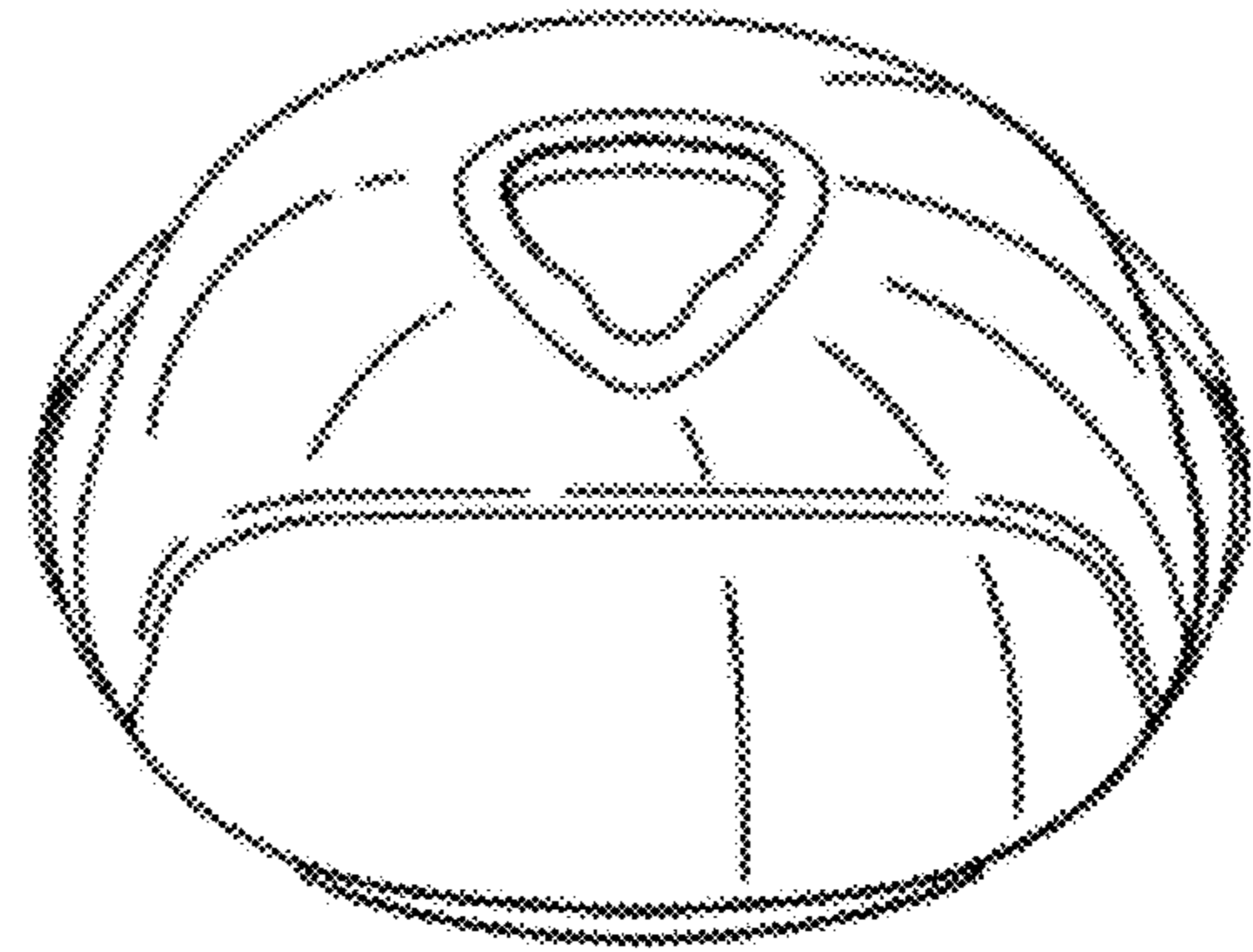


Fig. 7