



US00D664292S

(12) **United States Design Patent**
Person

(10) **Patent No.:** **US D664,292 S**

(45) **Date of Patent:** **** Jul. 24, 2012**

(54) **CEDAR SPILL FOR A CIGAR**

(76) **Inventor:** **Thomas A. Person**, Louisville, KY (US)

(**) **Term:** **14 Years**

(21) **Appl. No.:** **29/400,210**

(22) **Filed:** **Aug. 24, 2011**

(51) **LOC (9) Cl.** **27-05**

(52) **U.S. Cl.** **D27/139**

(58) **Field of Classification Search** D27/194,
D27/184, 189, 187, 186, 185, 100, 101, 183,
D27/172, 143, 163, 162, 161, 153, 144, 141,
D27/156, 160, 139, 140, 154, 155, 157, 142,
D27/102, 130, 158, 159, 167, 173, 176, 180,
D27/181, 193; 219/220; 431/253, 344, 289;
131/70, 58, 66.1, 73, 283, 47, 49, 187, 174;
D9/423, 542, 563, 454, 504; D8/34, 33,
D8/105, 30, 29.1; D7/416; 439/668; 206/236,
206/100, 103, 107, 109, 111, 117, 118; 44/507

See application file for complete search history.

(56) **References Cited**

U.S. PATENT DOCUMENTS

38,672	A *	5/1863	Gleason	431/289
40,734	A *	12/1863	Clinton	431/289
1,526,938	A *	2/1925	Sommerfeldt	131/243
1,839,846	A *	1/1932	Greenbaum	206/103
1,873,420	A *	8/1932	Jorgensen	206/100
2,018,969	A *	10/1935	Parker	206/100
2,271,155	A *	1/1942	Rapaport et al.	206/103
2,452,882	A *	11/1948	Visco	206/103

2,536,852	A *	1/1951	Middleton	131/243
4,424,018	A *	1/1984	Lowther, Sr.	431/288
4,600,022	A *	7/1986	Pierce, Jr.	131/243
D293,365	S *	12/1987	George	D7/416
6,041,921	A *	3/2000	Staiano et al.	206/236
6,053,175	A	4/2000	D'Angelo	
6,055,991	A *	5/2000	Benjoseph et al.	131/255
6,298,856	B1	10/2001	Park	
6,476,359	B2	11/2002	Rostan	
6,578,707	B2 *	6/2003	Staiano	206/236
6,789,665	B2 *	9/2004	Staiano	206/236
D598,605	S *	8/2009	Hodges	D27/195
8,015,979	B2 *	9/2011	Cooper	131/360
8,069,861	B2 *	12/2011	Sinclair, Jr.	131/330
2011/0195507	A1 *	8/2011	Dancer	436/24

* cited by examiner

Primary Examiner — Kevin Rudzinski

(74) *Attorney, Agent, or Firm* — Joan L. Simunic

(57) **CLAIM**

I claim the ornamental design for a cedar spill for a cigar, as shown.

DESCRIPTION

FIG. 1 is a top perspective view of a cedar spill of the present invention.

FIG. 2 is a top view of the cedar spill of FIG. 1.

FIG. 3 is a first side view of the cedar spill of FIG. 1.

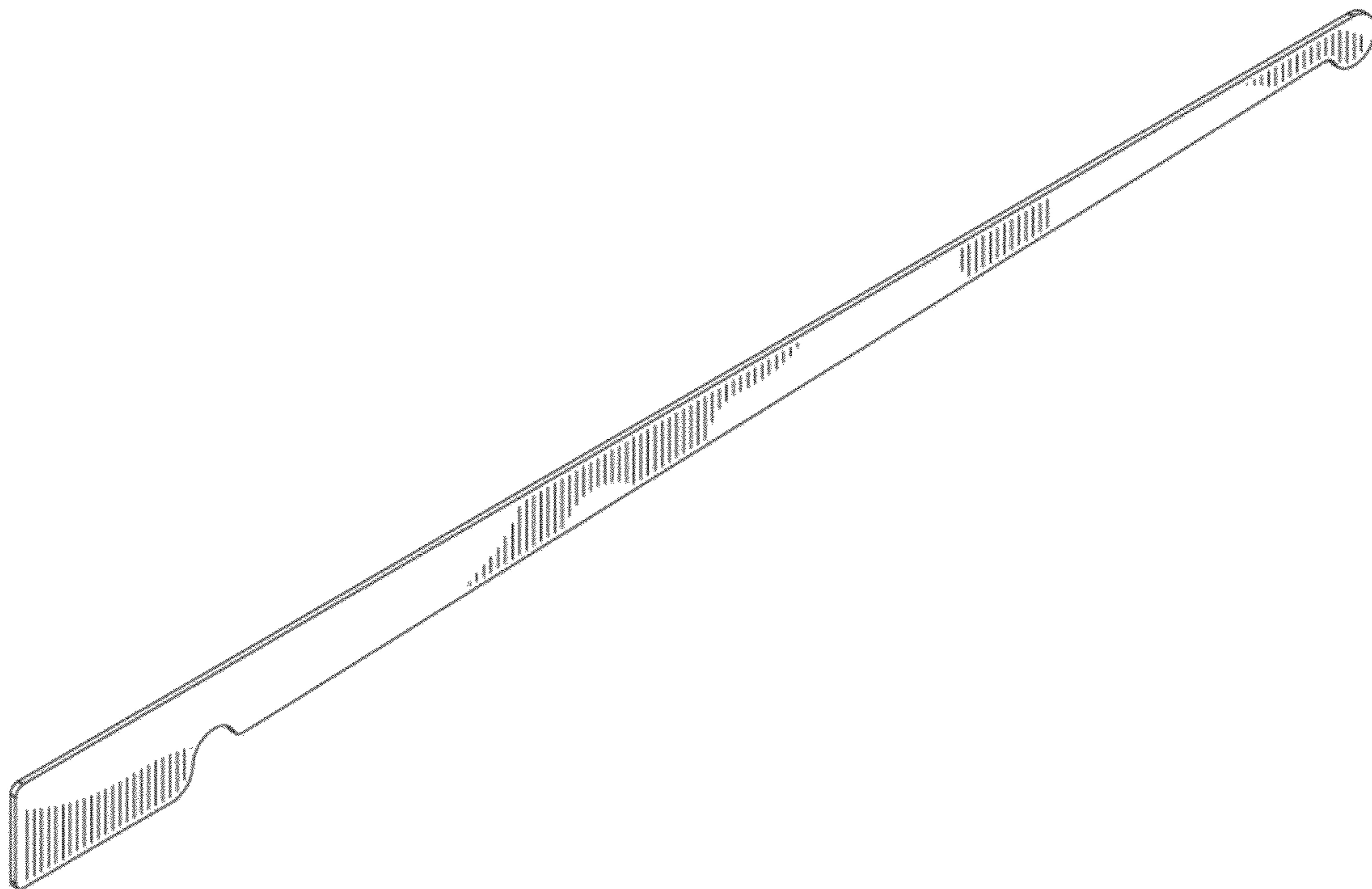
FIG. 4 is a front view of the cedar spill of FIG. 1.

FIG. 5 is a second side view of the cedar spill of FIG. 1.

FIG. 6 is a back view of the cedar spill of FIG. 1; and,

FIG. 7 is a bottom view of the cedar spill of FIG. 1.

1 Claim, 2 Drawing Sheets



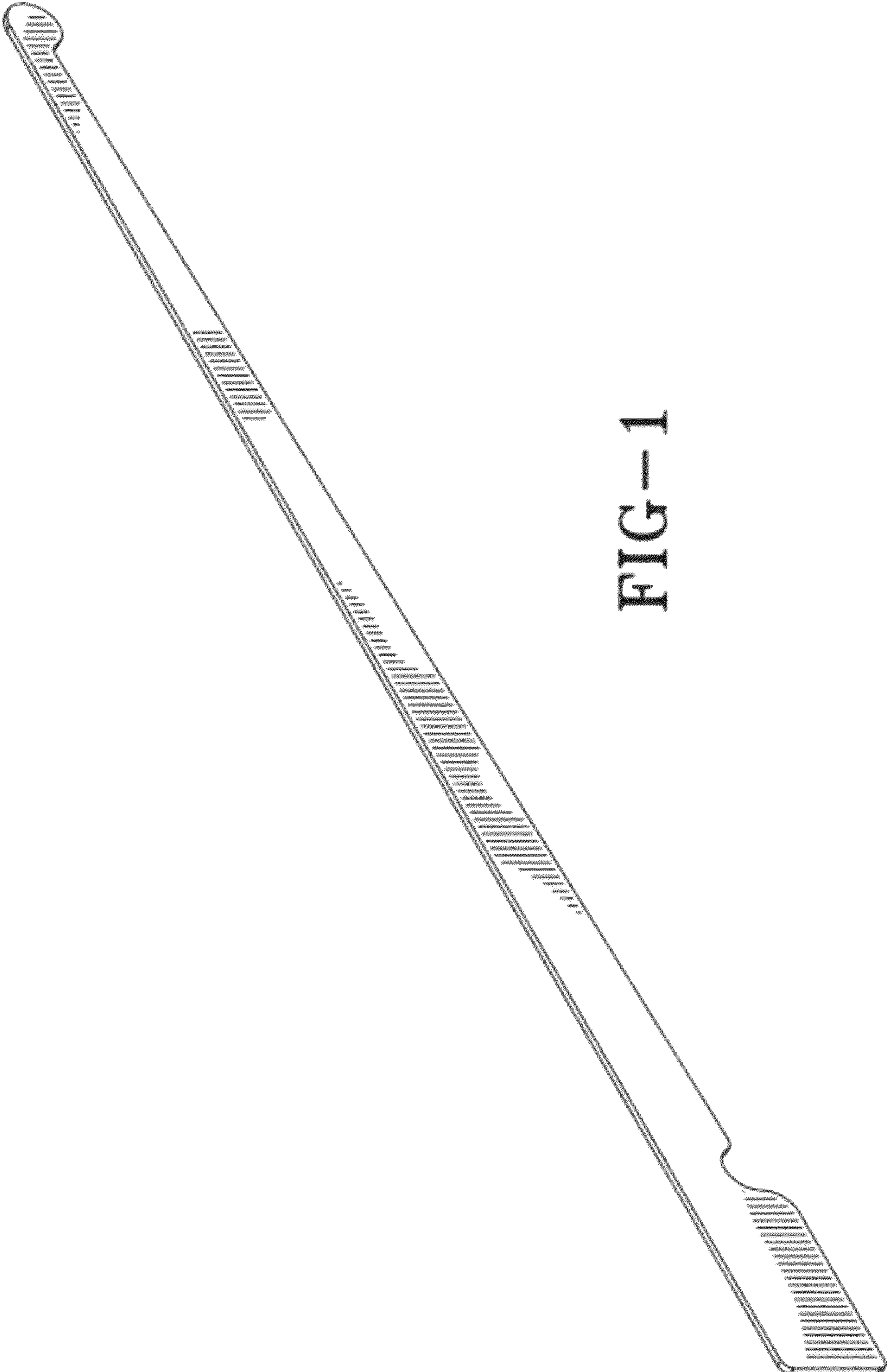


FIG-1



FIG-2

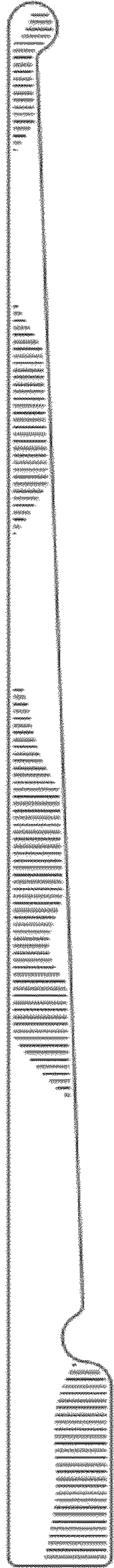


FIG-3

FIG-4

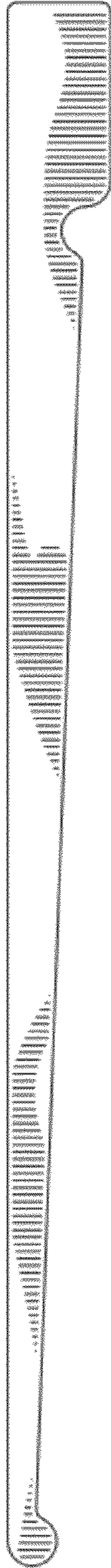


FIG-5

FIG-6



FIG-7