



US00D664291S

(12) **United States Design Patent**  
**Blincoe et al.**

(10) **Patent No.:** **US D664,291 S**  
(45) **Date of Patent:** **\*\* Jul. 24, 2012**

(54) **LIGHTING FIXTURE**

(75) Inventors: **Patrick Stephen Blincoe**, Kirkville, NY (US); **Clifford Randy Helmer**, Fulton, NY (US); **Andrew Adams Litteer**, Clay, NY (US)

(73) Assignee: **Cooper Technologies Company**, Houston, TX (US)

(\*\*) Term: **14 Years**

(21) Appl. No.: **29/396,313**

(22) Filed: **Jun. 28, 2011**

**Related U.S. Application Data**

(62) Division of application No. 29/358,164, filed on Mar. 23, 2010, now Pat. No. Des. 642,732.

(51) **LOC (9) Cl.** ..... **26-99**

(52) **U.S. Cl.** ..... **D26/152**

(58) **Field of Classification Search** ..... D26/72, D26/74, 113, 118, 85, 71, 63, 120, 122, 87, D26/86, 84, 73, 75, 119, 121, 123, 124, 125, D26/126, 127, 128, 129, 130, 131, 132, 134, D26/135, 136, 137, 138, 139, 140, 141, 142, D26/143, 144, 145, 146, 147, 151, 152, 153, D26/154, 155, 90, 91, 92, 93, 61, 62, 64, D26/65, 66, 67, 68, 69, 51, 59, 1, 2; 362/240, 362/147, 146, 600, 294, 276, 431, 545.3, 362/394, 355, 362, 413, 373; D11/121; 257/727, 257/713, 719, 717; 361/695, 700, 709; 165/121, 165/185, 80.3, 104.26

See application file for complete search history.

(56) **References Cited**

**U.S. PATENT DOCUMENTS**

2,432,513 A \* 12/1947 Depew ..... 313/44  
2,883,591 A \* 4/1959 Camp ..... 257/715

3,023,264 A 2/1962 Allison  
3,239,003 A 3/1966 Boudette et al.  
D205,770 S 9/1966 Coe  
3,372,733 A \* 3/1968 Callender ..... 165/80.3  
D212,708 S 11/1968 Mayer  
4,105,905 A 8/1978 Barcus  
D250,124 S \* 10/1978 Glaspie et al. .... D23/209  
D267,005 S 11/1982 Dennis  
4,715,438 A 12/1987 Gabuzda et al.  
D297,671 S \* 9/1988 Groh ..... D26/63  
4,841,422 A 6/1989 Groh  
D303,437 S 9/1989 Mason  
D307,461 S \* 4/1990 Kim ..... D23/209  
D339,651 S 9/1993 Vieyra  
5,375,652 A \* 12/1994 Matsunaga et al. .... 165/80.3

(Continued)

*Primary Examiner* — Kevin Rudzinski

(74) *Attorney, Agent, or Firm* — King & Spalding LLP

(57) **CLAIM**

The ornamental design for a lighting fixture, as shown and described.

**DESCRIPTION**

FIG. 1 is a perspective view of a lighting fixture in accordance with our design.

FIG. 2 is a top view of the lighting fixture of FIG. 1 in accordance with our design.

FIG. 3 is a perspective view of another lighting fixture in accordance with our design.

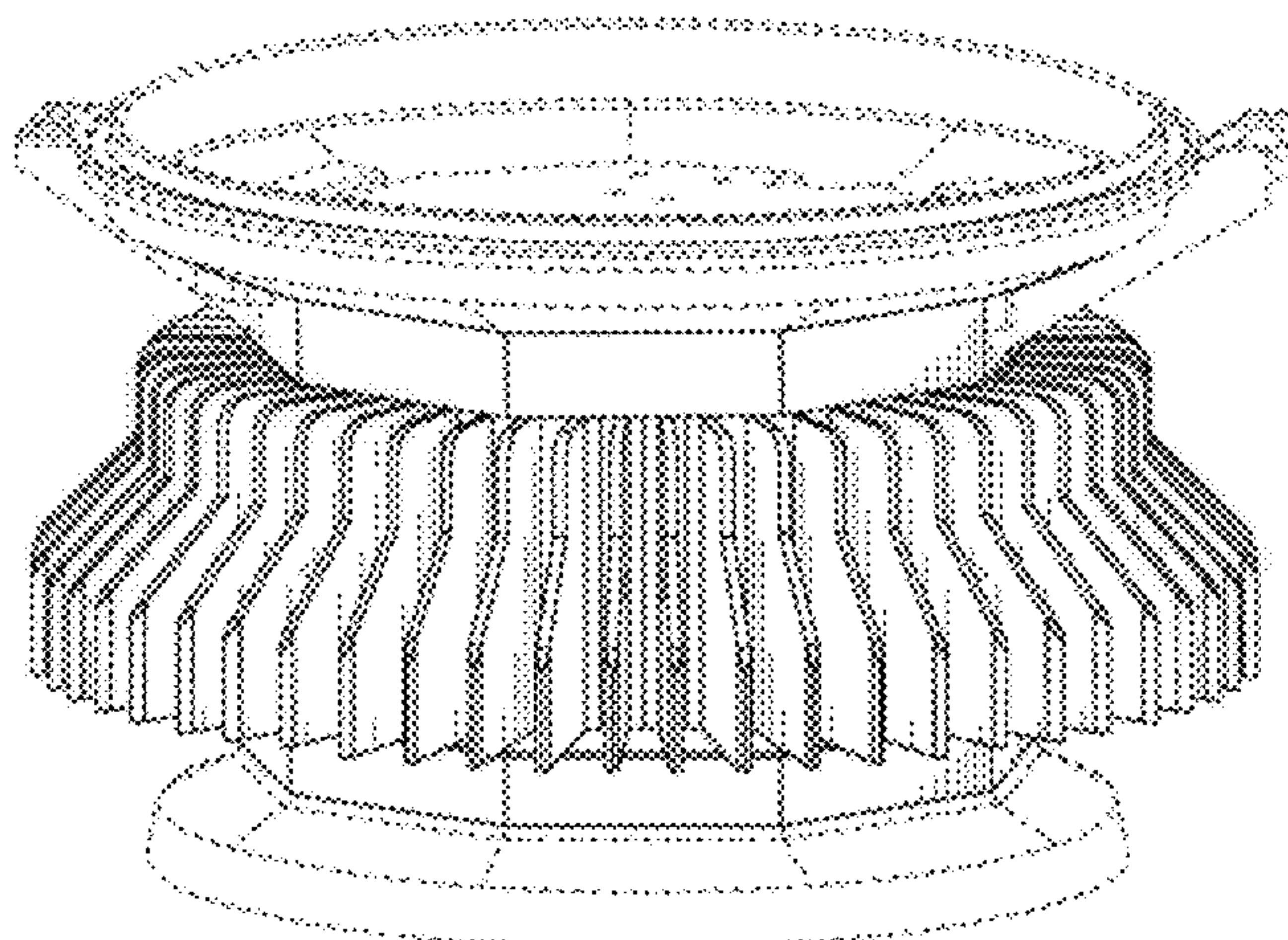
FIG. 4 is a top view of the lighting fixture of FIG. 3 in accordance with our design.

FIG. 5 is a perspective view of yet another lighting fixture in accordance with our design; and,

FIG. 6 is a top view of the lighting fixture of FIG. 5 in accordance with our design.

The broken lines shown in the drawings illustrate unclaimed portions of the lighting fixture and form no part of the claimed design.

**1 Claim, 3 Drawing Sheets**



# US D664,291 S

Page 2

## U.S. PATENT DOCUMENTS

5,397,919	A *	3/1995	Tata et al. ....	257/717	D595,011	S	6/2009	Scott	
5,412,535	A *	5/1995	Chao et al. ....	361/700	7,553,047	B2 *	6/2009	Shin et al. ....	362/294
5,690,424	A	11/1997	Warshauer et al.		D596,764	S *	7/2009	Yang et al. ....	D26/2
D397,482	S	8/1998	Binsukor		D597,247	S *	7/2009	Meyer et al. ....	D26/113
5,794,685	A	8/1998	Dean		D602,193	S	10/2009	Soderman et al.	
D400,278	S	10/1998	Binsukor		D602,194	S	10/2009	Soderman et al.	
5,945,736	A *	8/1999	Rife et al. ....	257/719	D602,195	S	10/2009	Soderman et al.	
6,304,451	B1 *	10/2001	Rife	361/704	7,611,264	B1 *	11/2009	Chang et al. ....	362/249.02
6,330,908	B1	12/2001	Lee et al.		7,712,927	B2 *	5/2010	Shuai et al. ....	362/294
6,437,469	B1	8/2002	Davis et al.		D623,779	S *	9/2010	Wang et al. ....	D26/2
6,491,091	B1 *	12/2002	Lin et al. ....	165/80.3	D627,912	S *	11/2010	Mo	D26/72
D473,529	S *	4/2003	Feinbloom	D13/179	D636,517	S *	4/2011	Robinson	D26/67
D481,688	S	11/2003	Lee et al.		7,918,587	B2	4/2011	Hsu et al.	
6,828,673	B2 *	12/2004	Ficorilli et al. ....	257/707	D642,316	S *	7/2011	Zheng et al. ....	D26/72
6,851,467	B1	2/2005	Bamford et al.		2006/0082972	A1	4/2006	Kim	
6,938,680	B2 *	9/2005	Garner et al. ....	165/104.26	2006/0102324	A1 *	5/2006	Mok et al. ....	165/104.33
D530,779	S *	10/2006	Lee	D23/207	2006/0196636	A1 *	9/2006	Liu	165/80.3
D550,391	S	9/2007	Cesaro		2007/0242461	A1	10/2007	Reisenauer et al.	
7,273,091	B2 *	9/2007	Bahl et al. ....	165/121	2007/0253202	A1	11/2007	Wu et al.	
D573,290	S	7/2008	Shuai et al.		2007/0297177	A1 *	12/2007	Wang et al. ....	362/294
D579,420	S *	10/2008	Chu	D13/179	2009/0009999	A1	1/2009	Wang et al.	
D579,602	S	10/2008	Gotz-Schafer		2009/0067191	A1	3/2009	Faber et al.	
7,438,448	B2	10/2008	Chen		2009/0147517	A1 *	6/2009	Li et al. ....	362/249.02
D592,799	S	5/2009	Scott		2009/0147520	A1 *	6/2009	Liu et al. ....	362/294
D593,044	S	5/2009	Chen		2009/0279314	A1 *	11/2009	Wu et al. ....	362/373

\* cited by examiner



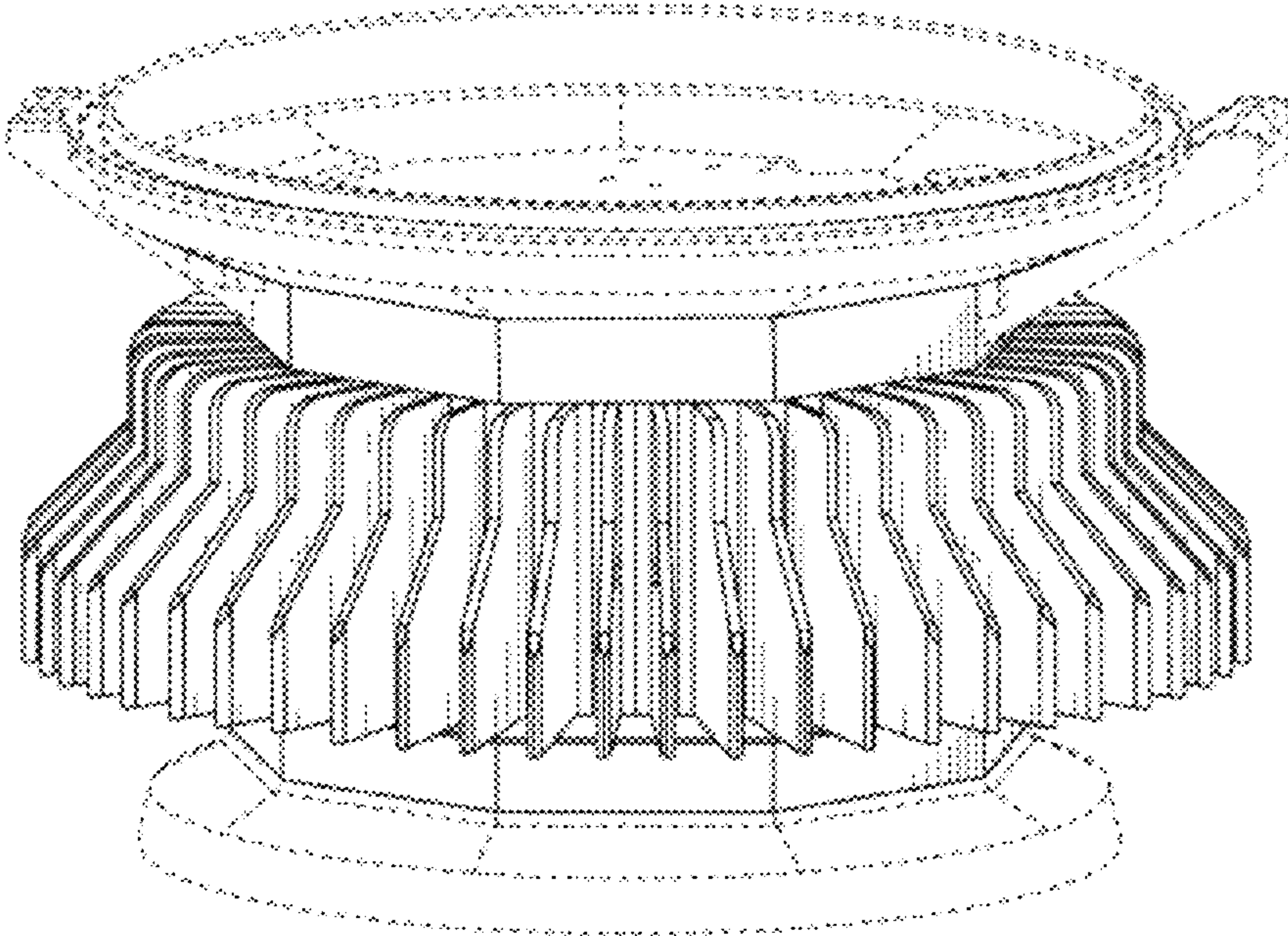


FIG. 1

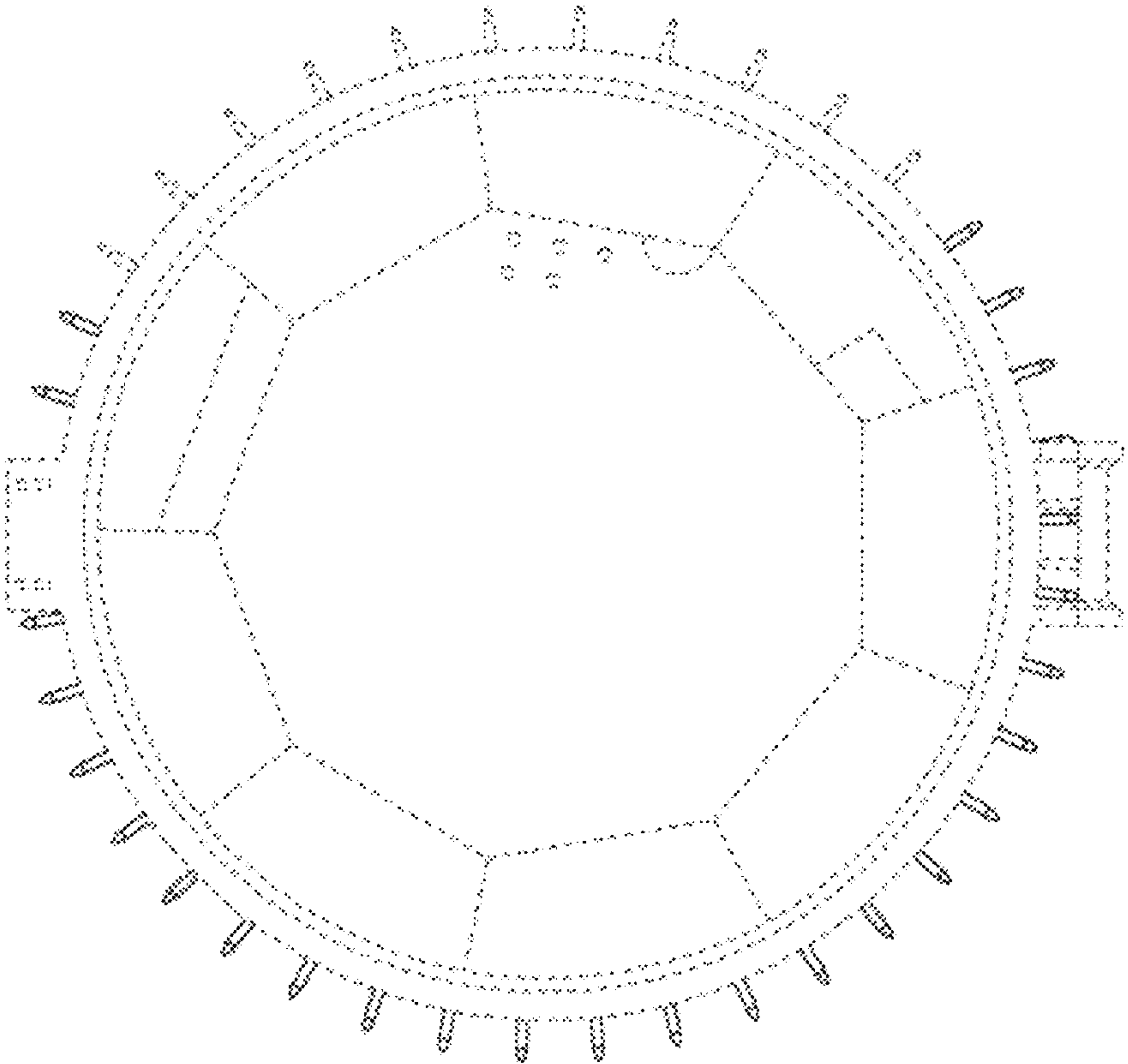


FIG. 2

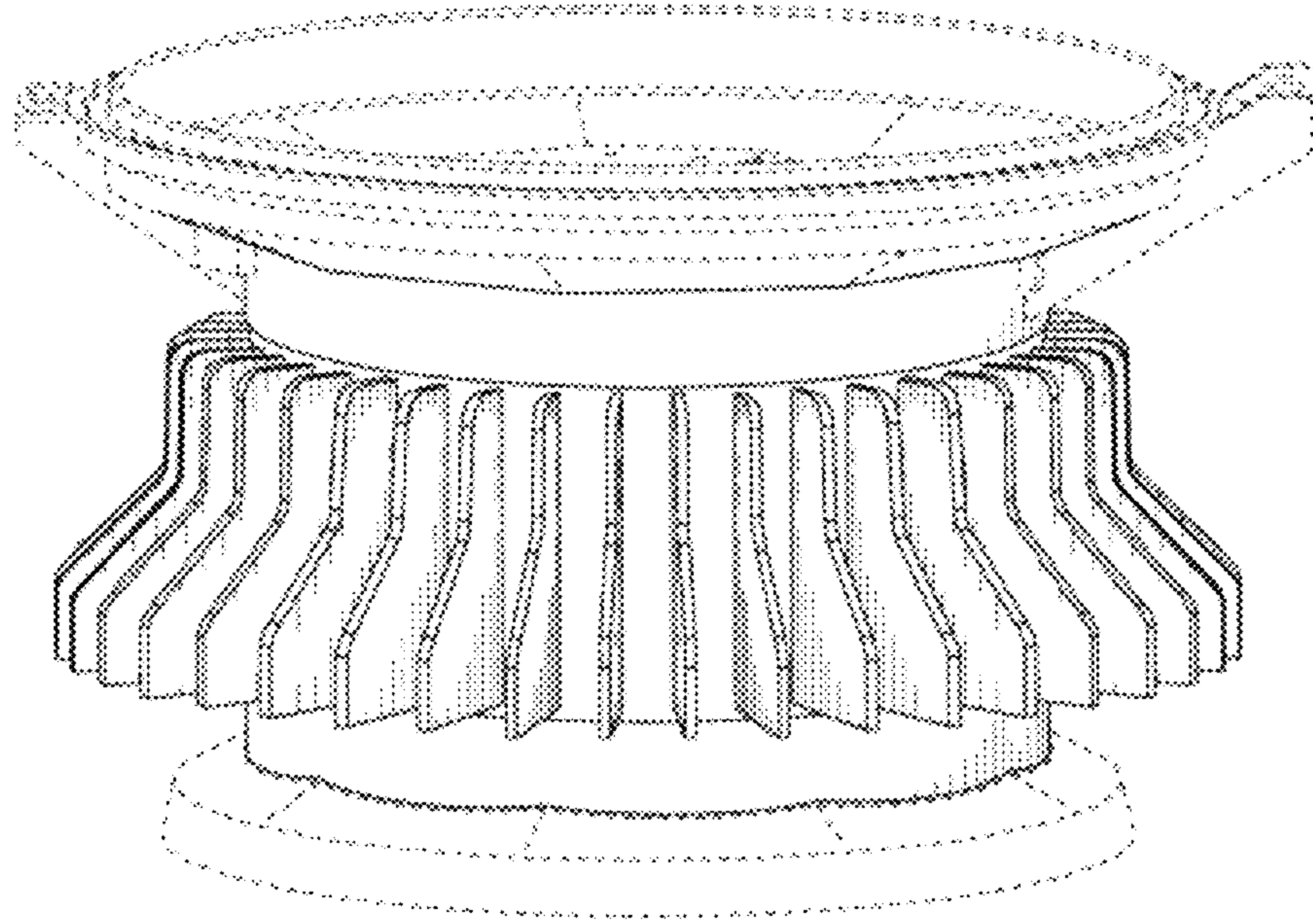


FIG. 3

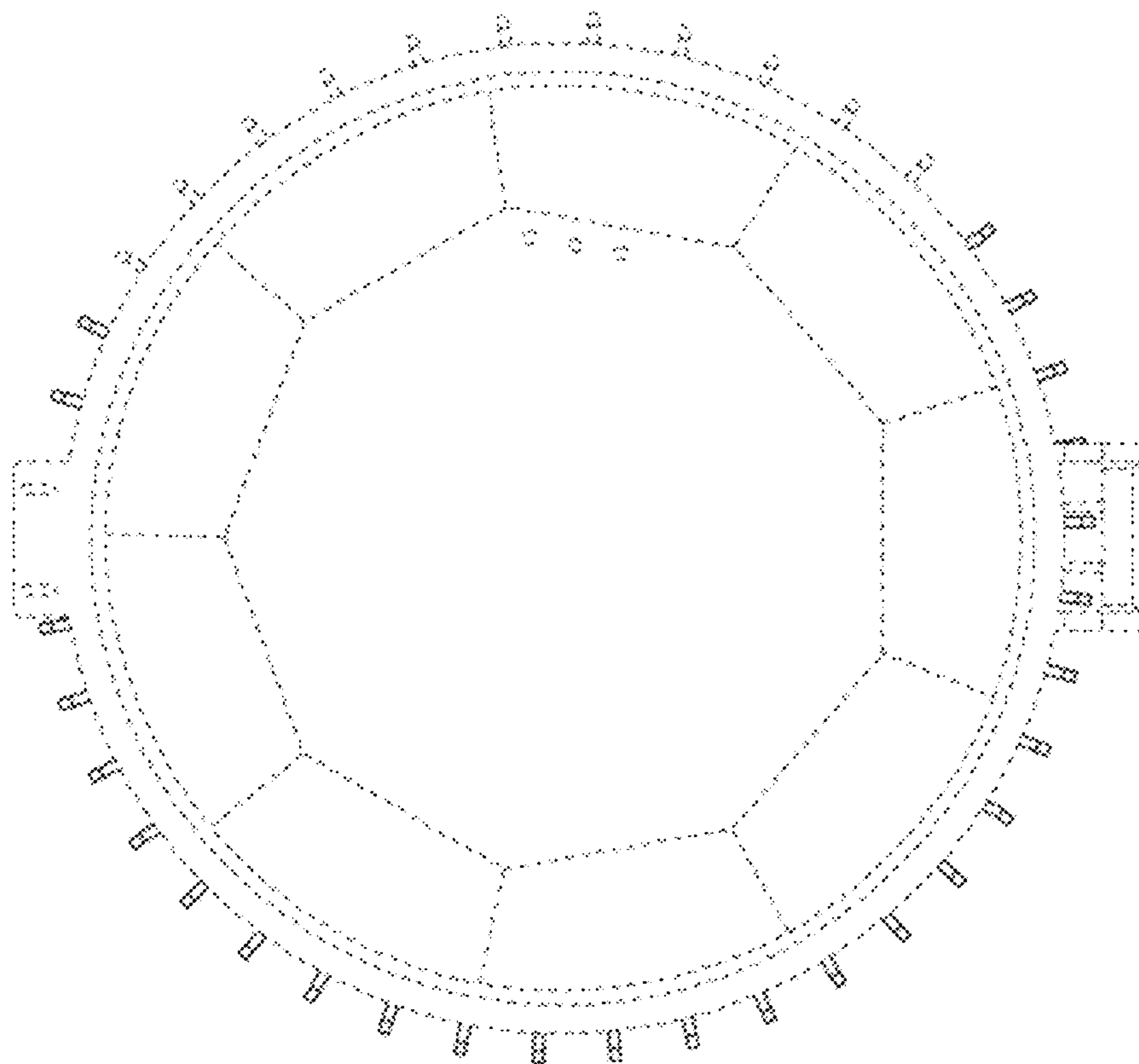


FIG. 4



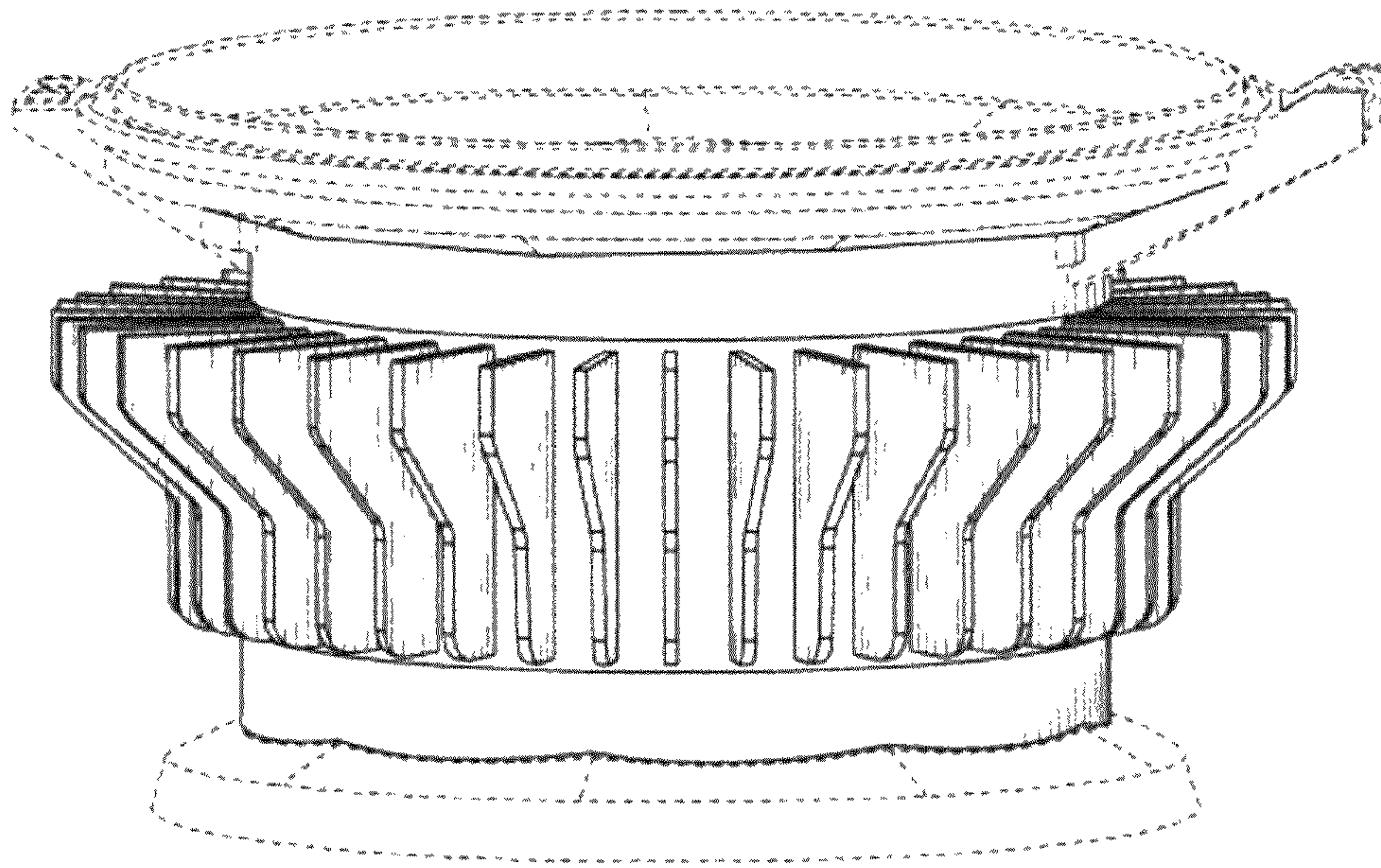


FIG. 5

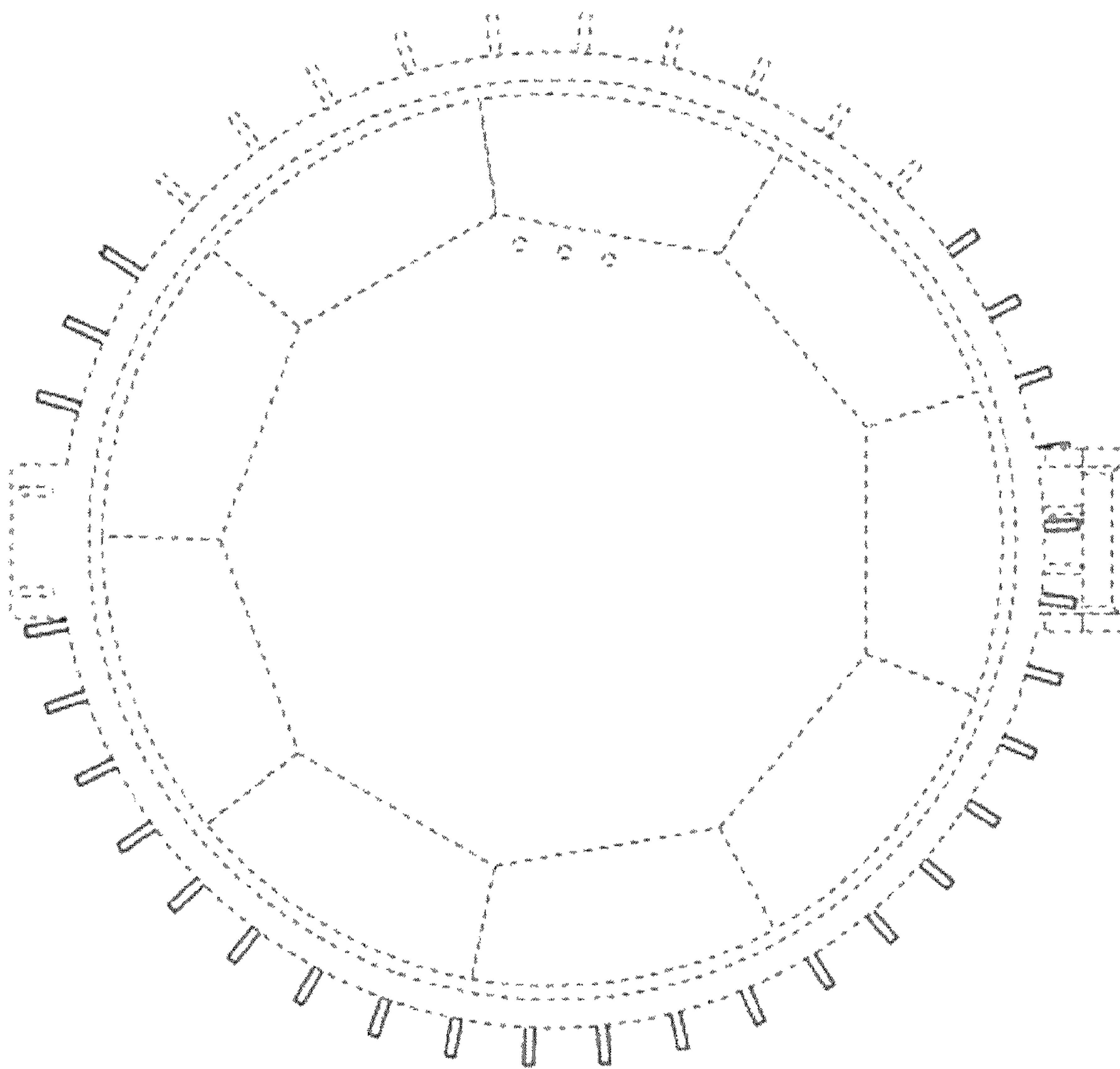


FIG. 6