



US00D664290S

(12) **United States Design Patent**
Gordin et al.

(10) **Patent No.:** **US D664,290 S**
(45) **Date of Patent:** **** Jul. 24, 2012**

(54) **LIGHTING FIXTURE MOUNTING KNUCKLE**

(75) Inventors: **Myron K. Gordin**, Oskaloosa, IA (US);
Timothy J. Boyle, Oskaloosa, IA (US)

(73) Assignee: **Musco Corporation**, Oskaloosa, IA
(US)

(**) Term: **14 Years**

(21) Appl. No.: **29/221,644**

(22) Filed: **Jan. 18, 2005**

(51) **LOC (9) Cl.** **26-99**

(52) **U.S. Cl.** **D26/142**

(58) **Field of Classification Search** D26/24,
D26/60, 61, 62, 63, 64, 65, 66, 113, 138,
D26/140, 144, 142, 145, 155; 403/97, 84,
403/104; 362/418, 427, 370, 372, 371, 549,
362/39.319, 220, 250, 257, 288, 269, 270,
362/274, 287, 277, 278, 282, 285

See application file for complete search history.

(56) **References Cited**

U.S. PATENT DOCUMENTS

2,447,923	A	8/1948	Tuck	
2,694,798	A *	11/1954	Cole	439/546
3,030,128	A *	4/1962	Versen	285/185
3,075,168	A *	1/1963	Atkin	439/666
3,304,037	A *	2/1967	Candela	248/515
3,505,515	A *	4/1970	Adra	362/371
3,533,648	A *	10/1970	Thieberger	285/272
4,103,323	A *	7/1978	Urbanek	362/549
4,184,140	A *	1/1980	Frey et al.	338/174
4,190,881	A	2/1980	Drost	
D254,694	S	4/1980	Drost	
D257,891	S	1/1981	Drost	
4,423,471	A	12/1983	Gordin	
4,429,297	A *	1/1984	Nakatsu	338/162
4,450,507	A	5/1984	Gordin	
4,543,007	A *	9/1985	Quiogue	403/97
D281,779	S *	12/1985	Lilly	D14/230
4,614,452	A *	9/1986	Wang	403/27

4,712,167	A	12/1987	Gordin	
4,729,077	A	3/1988	Gordin	
4,807,935	A *	2/1989	King	297/411.38
4,811,181	A	3/1989	Jones	
4,816,974	A	3/1989	Gordin	
4,947,303	A	8/1990	Gordin	
4,949,928	A *	8/1990	Hoshino	248/291.1
5,012,398	A	4/1991	Jones	
5,062,179	A *	11/1991	Huang	16/436
5,146,808	A *	9/1992	Hoshino	74/531
5,161,883	A	11/1992	Gordin et al.	
5,207,747	A	5/1993	Gordin	
5,358,352	A *	10/1994	Klarhorst	403/104

(Continued)

FOREIGN PATENT DOCUMENTS

EP 1 172 839 A2 1/2002

Primary Examiner — Kevin Rudzinski

(74) *Attorney, Agent, or Firm* — McKee, Voorhees & Sease, P.L.C.

(57) **CLAIM**

We claim the ornamental design for a lighting fixture mounting knuckle, as shown and described.

DESCRIPTION

FIG. 1 is a perspective view of the lighting fixture mounting knuckle according to the present invention.

FIG. 2 is a side elevation thereof.

FIG. 3 is an opposite side view thereof.

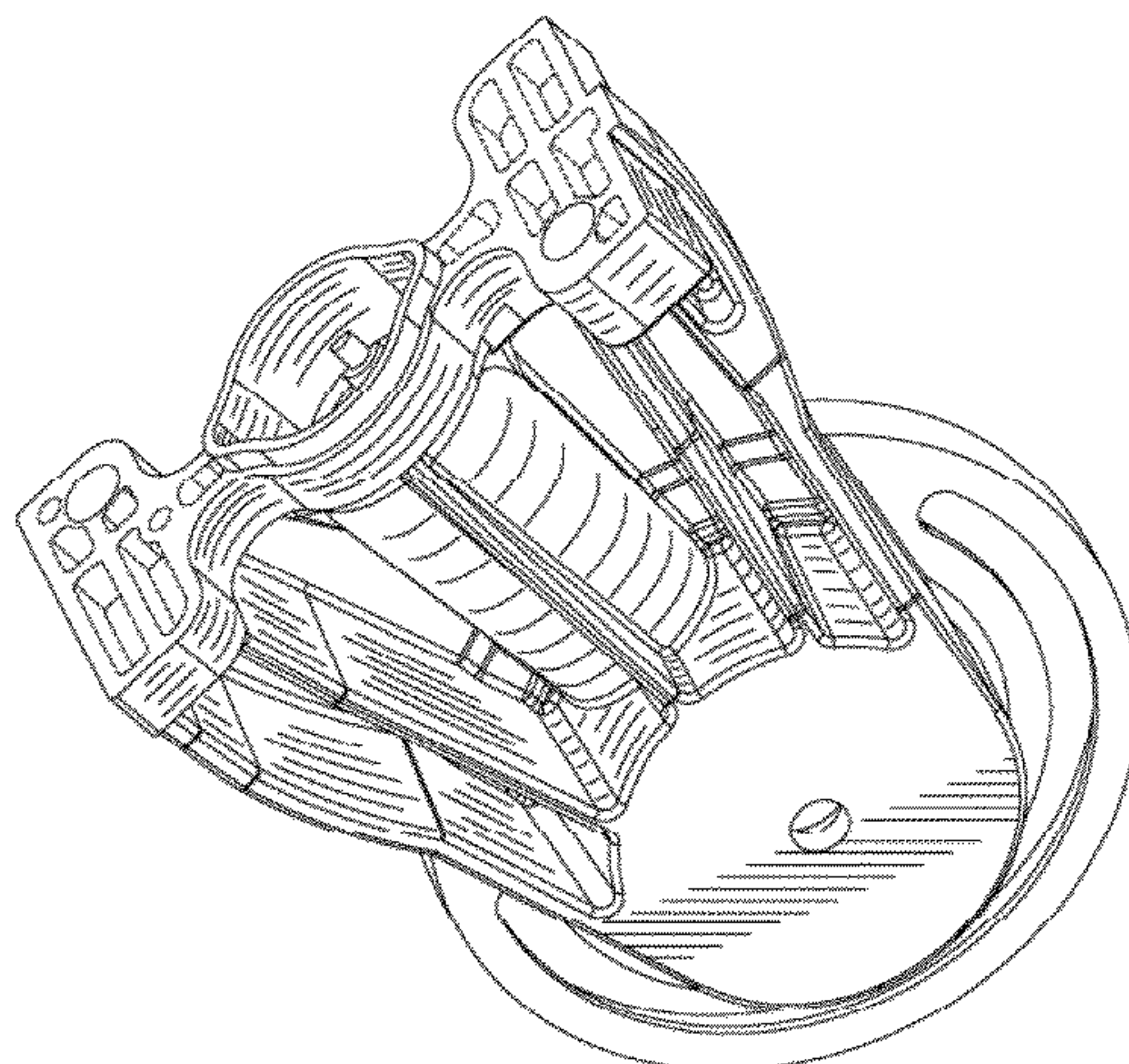
FIG. 4 is another side elevation view thereof; and,

FIG. 5 is a top plan view thereof.

The broken lines adjacent to the claimed surfaces represent the bounds of the claimed design and the remaining broken lines illustrate unclaimed portions of the lighting fixture mounting knuckle. All broken lines form no part of the claimed design.

The surface shading shown in the drawing disclosure is solely intended to indicate surface contours and does not represent reflective or transparent characteristics.

1 Claim, 5 Drawing Sheets



US D664,290 S

Page 2

U.S. PATENT DOCUMENTS

5,426,577	A	6/1995	Gordin				
5,429,481	A *	7/1995	Liu	416/246			
5,519,590	A	5/1996	Gordin				
5,520,474	A *	5/1996	Liu	403/97			
5,595,440	A *	1/1997	Gordin et al.	362/247			
5,620,272	A *	4/1997	Sheng	403/96			
5,707,142	A	1/1998	Gordin				
5,730,547	A *	3/1998	Nogami	403/384			
5,800,048	A	9/1998	Gordin				
5,856,721	A	1/1999	Gordin				
5,860,733	A	1/1999	Stone				
5,887,969	A	3/1999	Gordin				
5,971,652	A *	10/1999	Bartlett et al.	403/84			
5,992,566	A *	11/1999	Yeh	182/163			
6,089,921	A *	7/2000	Chou	439/640			
6,203,176	B1	3/2001	Gordin				
6,220,726	B1	4/2001	Gordin				
6,257,668	B1 *	7/2001	Chou et al.	297/411.32			
6,398,392	B2	6/2002	Gordin				
6,805,513	B2 *	10/2004	Marquina	403/107			
2002/0074210	A1 *	6/2002	Brandle et al.	194/334			
2003/0147240	A1	8/2003	Gordin				

* cited by examiner

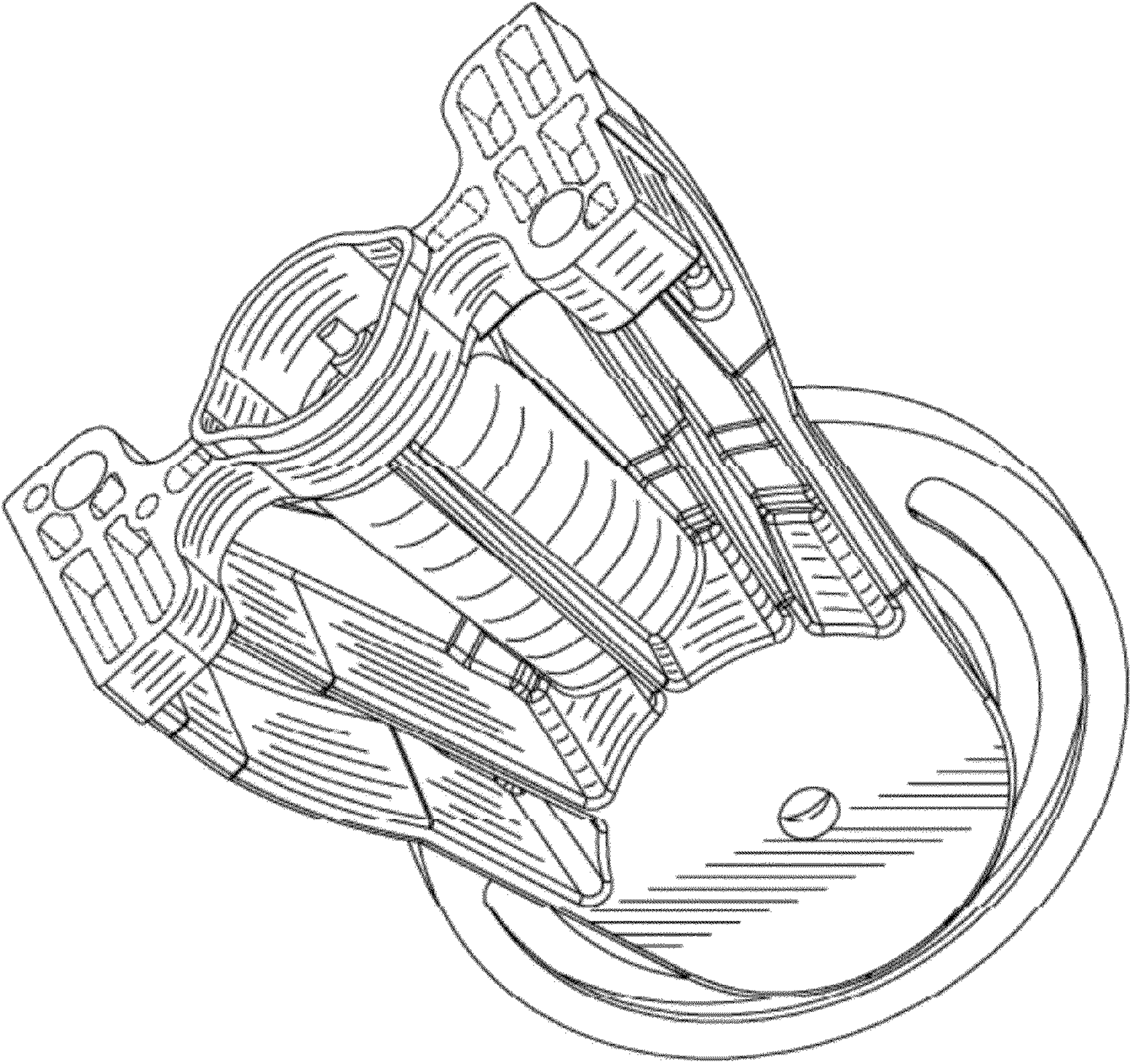


FIG 1

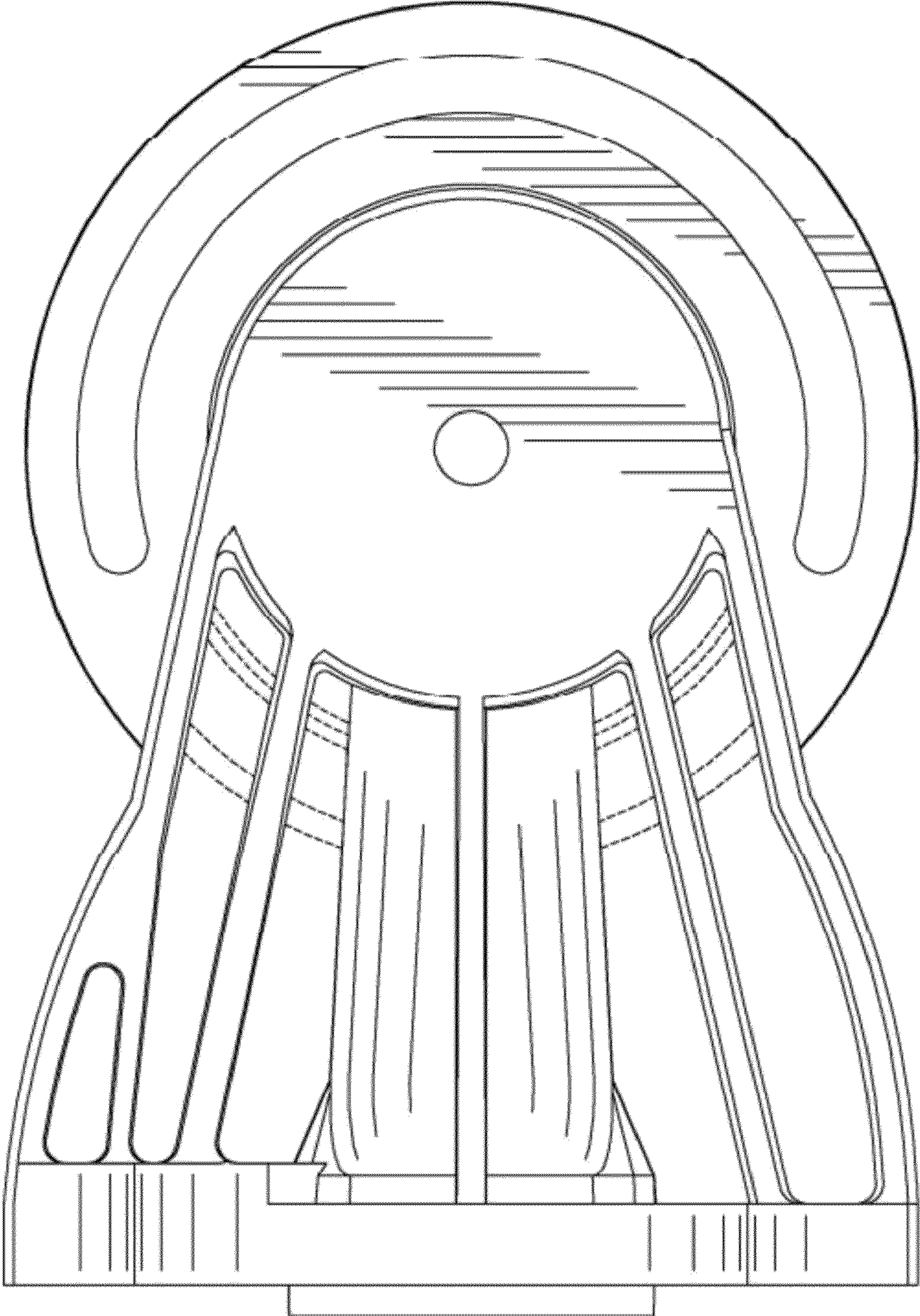


FIG 2

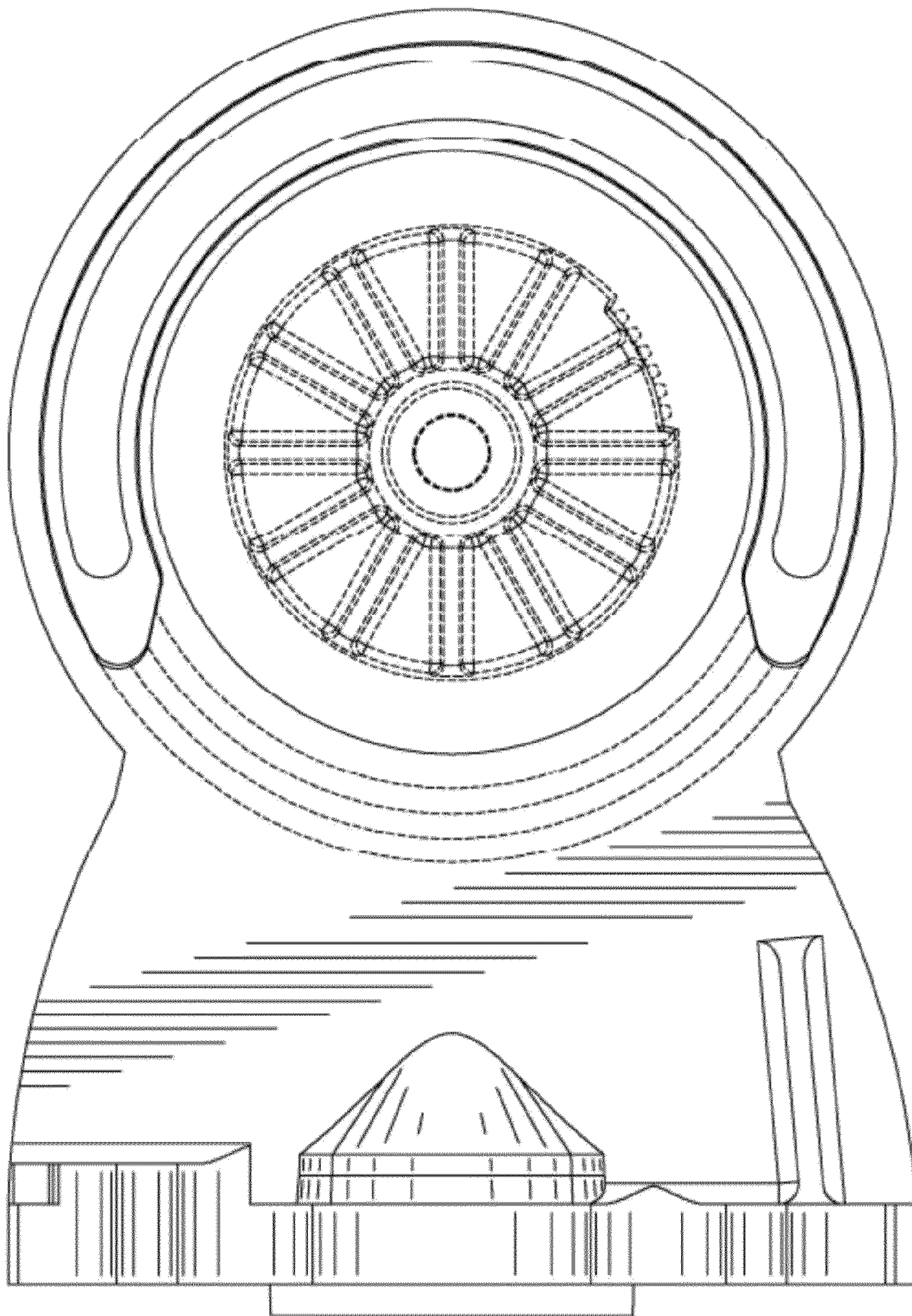


FIG 3

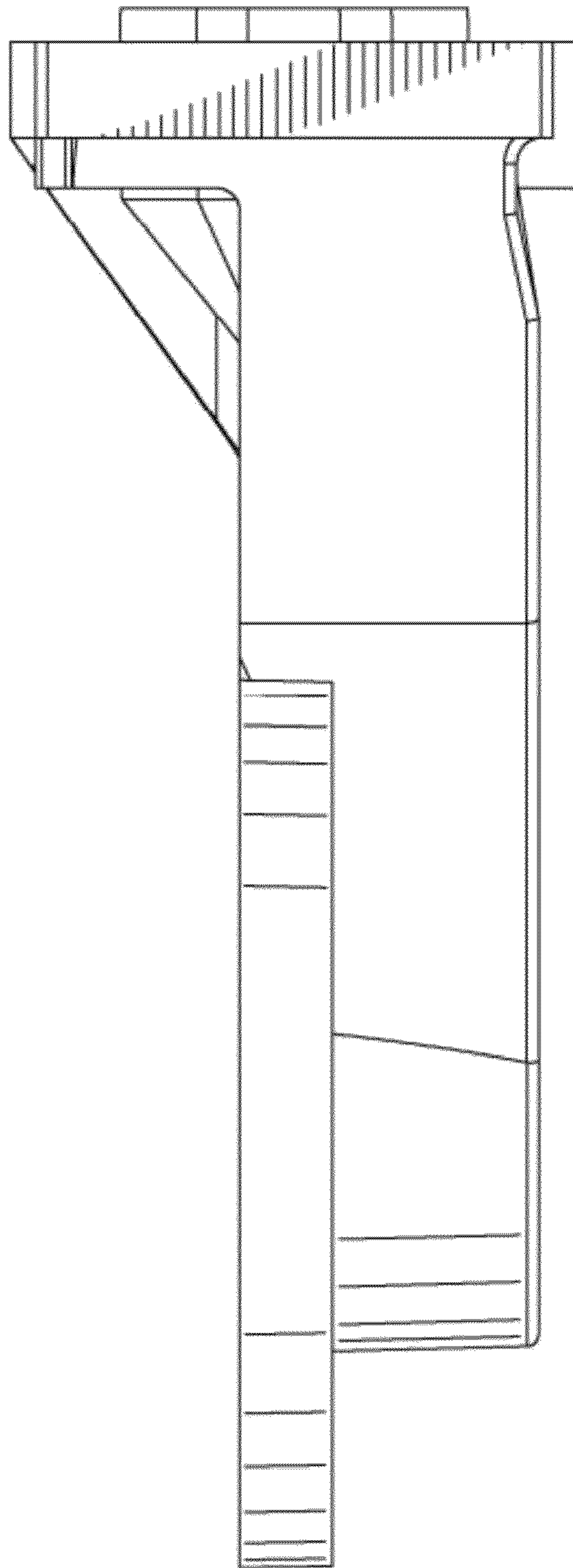


FIG 4

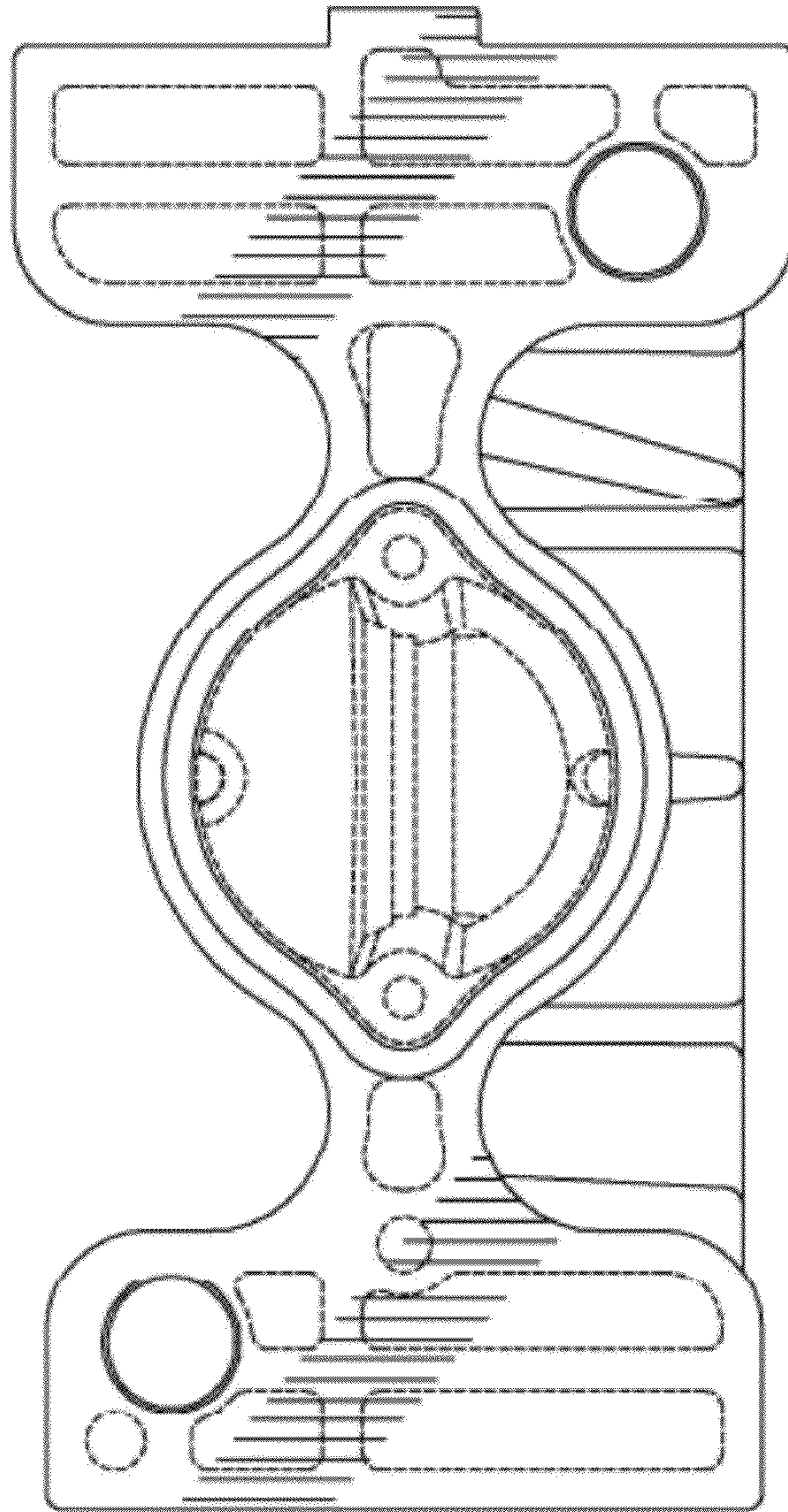


FIG 5