



US00D664289S

(12) **United States Design Patent**
Ko

(10) **Patent No.:** **US D664,289 S**
(45) **Date of Patent:** **** Jul. 24, 2012**

(54) **POSITION ADJUSTABLE HOOK WITH BALL JOINT COLLAR TO BE USED IN HAND LAMP**

(76) **Inventor:** **Wai-Shing Peter Ko**, Peachtree City, GA (US)

(**) **Term:** **14 Years**

(21) **Appl. No.:** **29/403,301**

(22) **Filed:** **Oct. 4, 2011**

(51) **LOC (9) Cl.** **26-99**

(52) **U.S. Cl.** **D26/138**

(58) **Field of Classification Search** D26/113, D26/71, 72, 73, 74, 75, 76, 78, 122, 121, D26/120, 119, 118, 1, 80, 86, 87, 88, 89, D26/90, 35, 36, 85, 62, 61, 63, 64, 65, 66, D26/67, 68, 28, 31, 24, 25, 26, 60, 103, 104, D26/105, 106, 109, 110, 93, 138, 140, 141, D26/142, 143, 144, 145, 152, 153, 154, 155, D26/41, 42, 51, 52, 50, 37, 128, 123, 124, D26/125, 129, 131, 134, 135, 136, 2, 3; D13/179, D13/180; D8/354, 382, 373, 377; 362/373, 362/294.02, 218, 510, 516, 410, 183, 396, 362/130, 190, 249.07, 249.09, 249.1, 249.11, 362/285, 413, 287, 220, 418, 419, 92, 249.08, 362/205, 184, 260, 399, 398, 397, 258, 374, 362/375, 216, 558, 561, 354, 249.06, 249.05, 362/132, 133, 249.03, 223, 241, 345, 327, 362/217.05, 247, 224, 297; 52/455; D25/124, D25/125, 60, 119; 349/113, 61, 59, 60, 62, 349/64, 65, 67, 66; 248/558, 339, 557; 438/15; 345/102; D12/406; D10/114.1, 111; D11/145, D11/144, 125, 121; 428/11; 257/96, 97, 257/98, 99

See application file for complete search history.

(56) **References Cited**

U.S. PATENT DOCUMENTS

2,655,337	A *	10/1953	Diesfeld	248/310
3,199,818	A *	8/1965	Ahara	248/156
3,808,420	A *	4/1974	Gortner	362/396
3,809,883	A *	5/1974	Goodwin	362/258
4,272,803	A *	6/1981	Johnson	362/399

(Continued)

Primary Examiner — Kevin Rudzinski

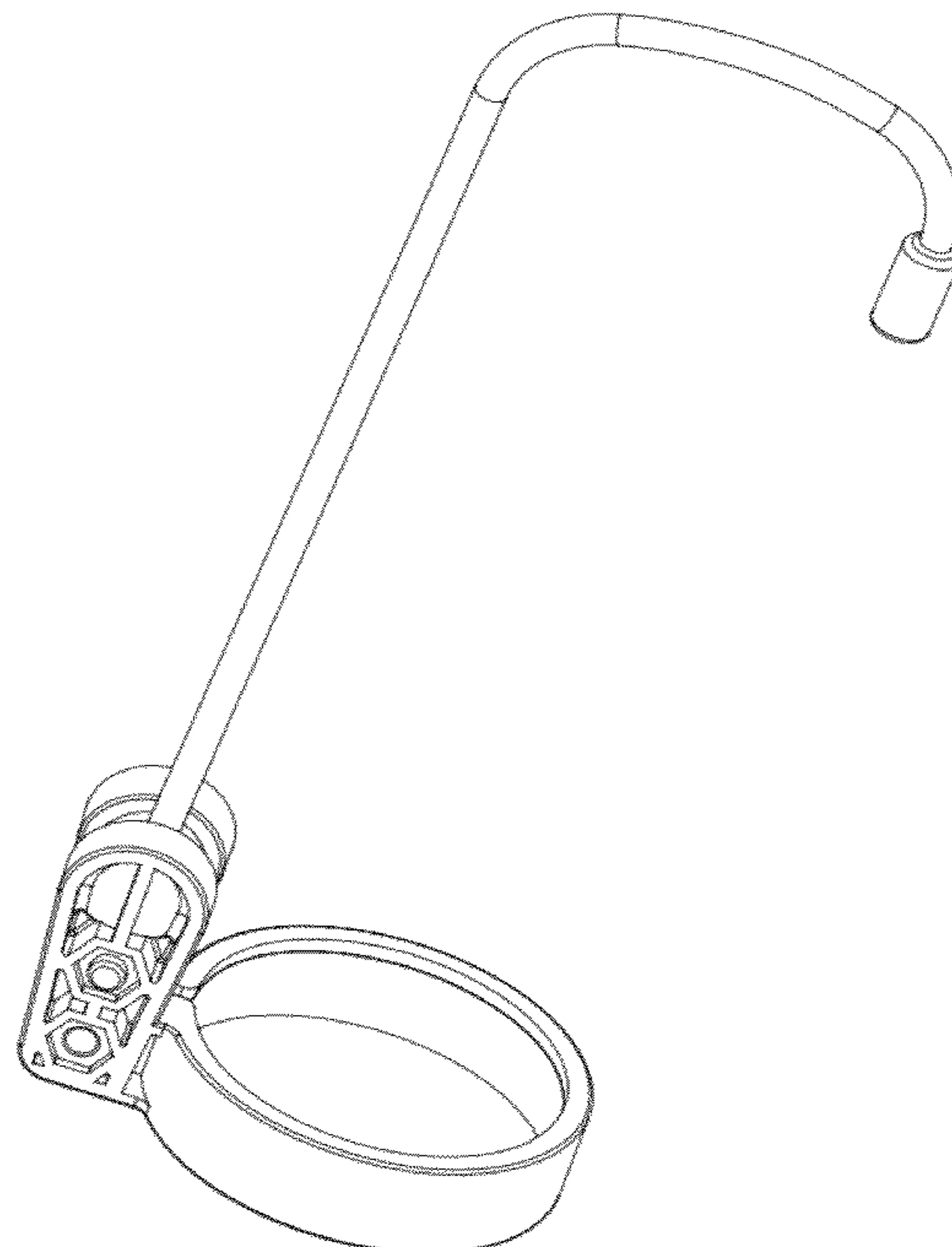
(57) **CLAIM**

The ornamental design of a position adjustable hook with ball joint collar to be used in hand lamp, as shown and described.

DESCRIPTION

FIG. 1 is a perspective view of a position adjustable hook with ball joint collar to be used in hand lamp, showing my invention;
FIG. 2 is a top plan view of the invention;
FIG. 3 is a bottom plan view of the invention;
FIG. 4 is a rear elevational view of the invention;
FIG. 5 is a left-side elevational view of the invention;
FIG. 6 is a front elevational view of the invention;
FIG. 7 is a right-side elevational view of the invention; and,
FIG. 8 is a perspective view of the position adjustable hook with ball joint collar mounted to a hand lamp.
The two arrows around the ball joint demonstrate the hook is position adjustable. The other two arrows around the collar demonstrate the collar is rotatable around the handle of the hand lamp. The broken lines in the drawings illustrate a hand lamp. The arrows and broken lines shown in FIG. 8 form no part of the claimed design.

1 Claim, 4 Drawing Sheets



US D664,289 S

Page 2

U.S. PATENT DOCUMENTS

4,395,013	A *	7/1983	Wissinger	248/558	D538,457	S *	3/2007	Kovacik et al.	D26/42
5,163,751	A *	11/1992	Bottiglieri	362/376	7,246,927	B2 *	7/2007	Wikle et al.	362/396
5,349,511	A *	9/1994	Henderson	362/396	D548,382	S *	8/2007	Akerberg	D26/42
5,924,667	A *	7/1999	Grahn et al.	248/304	D567,977	S *	4/2008	Jianwei	D26/42
D418,238	S *	12/1999	Offiler	D26/42	D567,978	S *	4/2008	Jianwei	D26/42
D458,400	S *	6/2002	Kovacik et al.	D26/50	D590,540	S *	4/2009	Ko	D26/138
6,722,774	B2 *	4/2004	Kovacik et al.	362/396	7,527,392	B2 *	5/2009	Kovacik et al.	362/260
D490,179	S *	5/2004	Niemann	D26/37	7,572,024	B2 *	8/2009	Ko et al.	362/92
D501,688	S *	2/2005	Kovacik et al.	D26/42	D614,345	S *	4/2010	Bertken	D26/138
D505,217	S *	5/2005	Bayat et al.	D26/42	7,810,967	B2 *	10/2010	Ko et al.	362/428
D515,721	S *	2/2006	Lin	D26/44	D641,925	S *	7/2011	Ko	D26/138
D517,343	S *	3/2006	Hayes	D6/403	2005/0063179	A1 *	3/2005	Niemann	362/184
D526,077	S *	8/2006	Leen	D26/42					

* cited by examiner

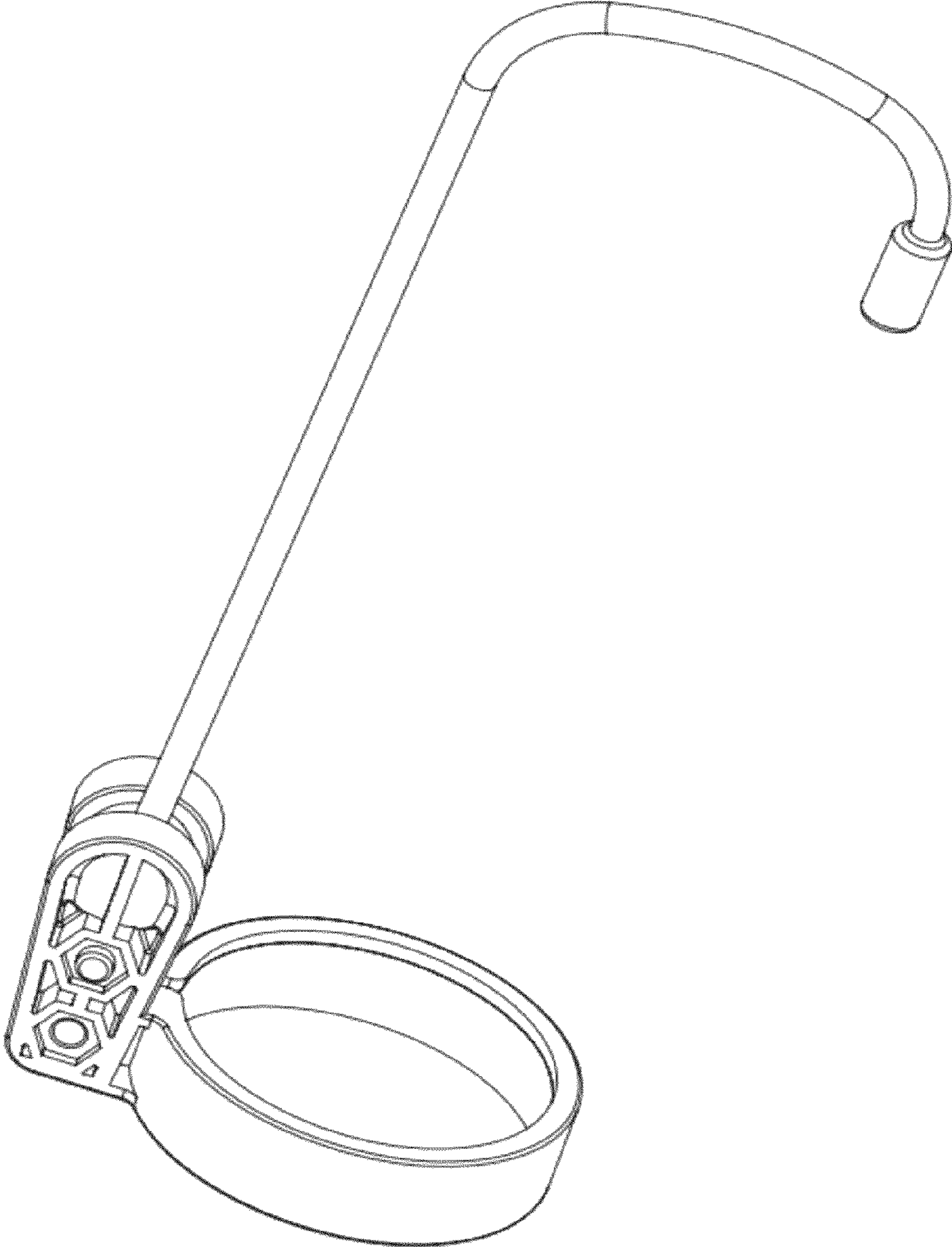


FIG. 1

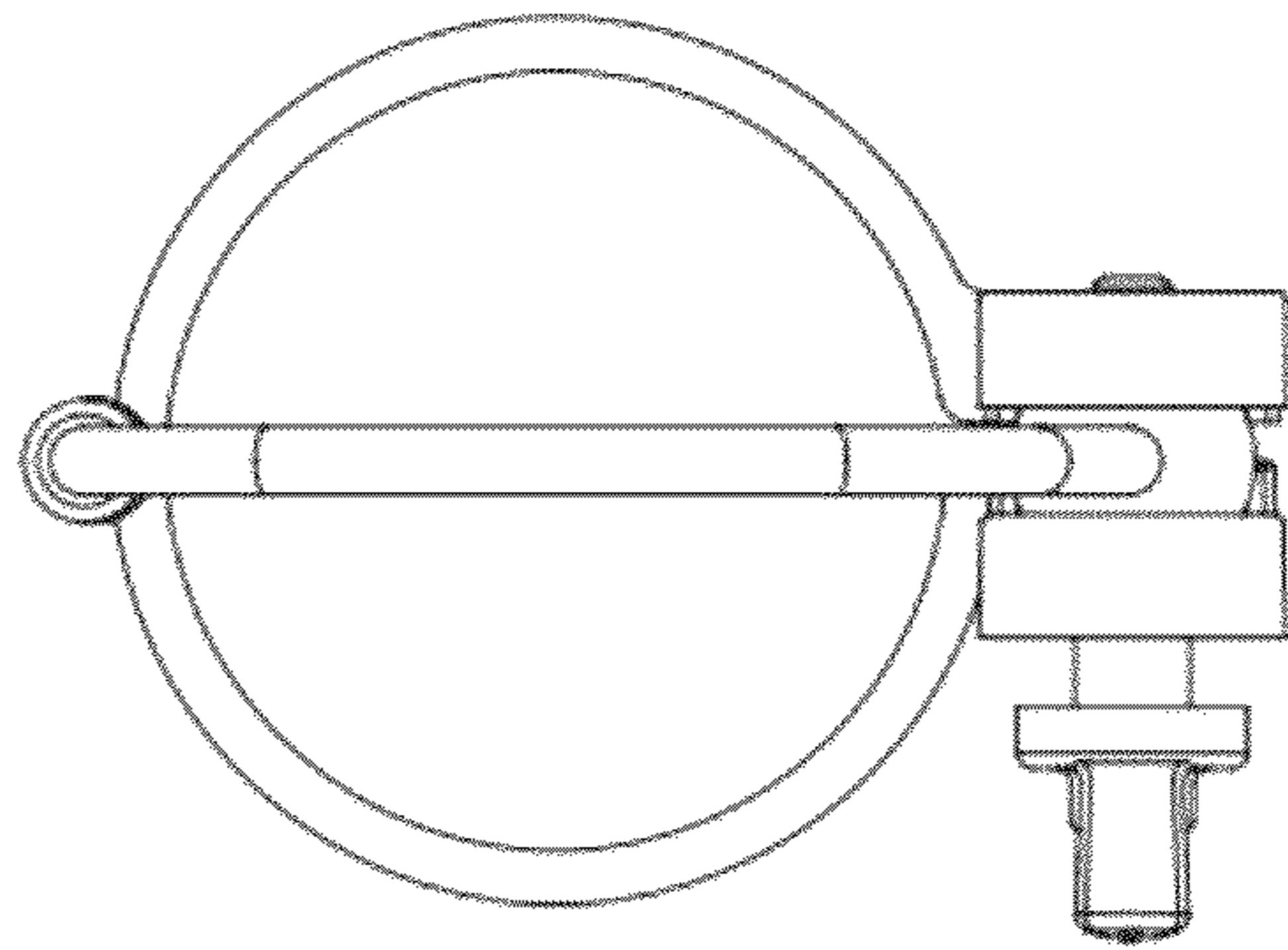


FIG. 2

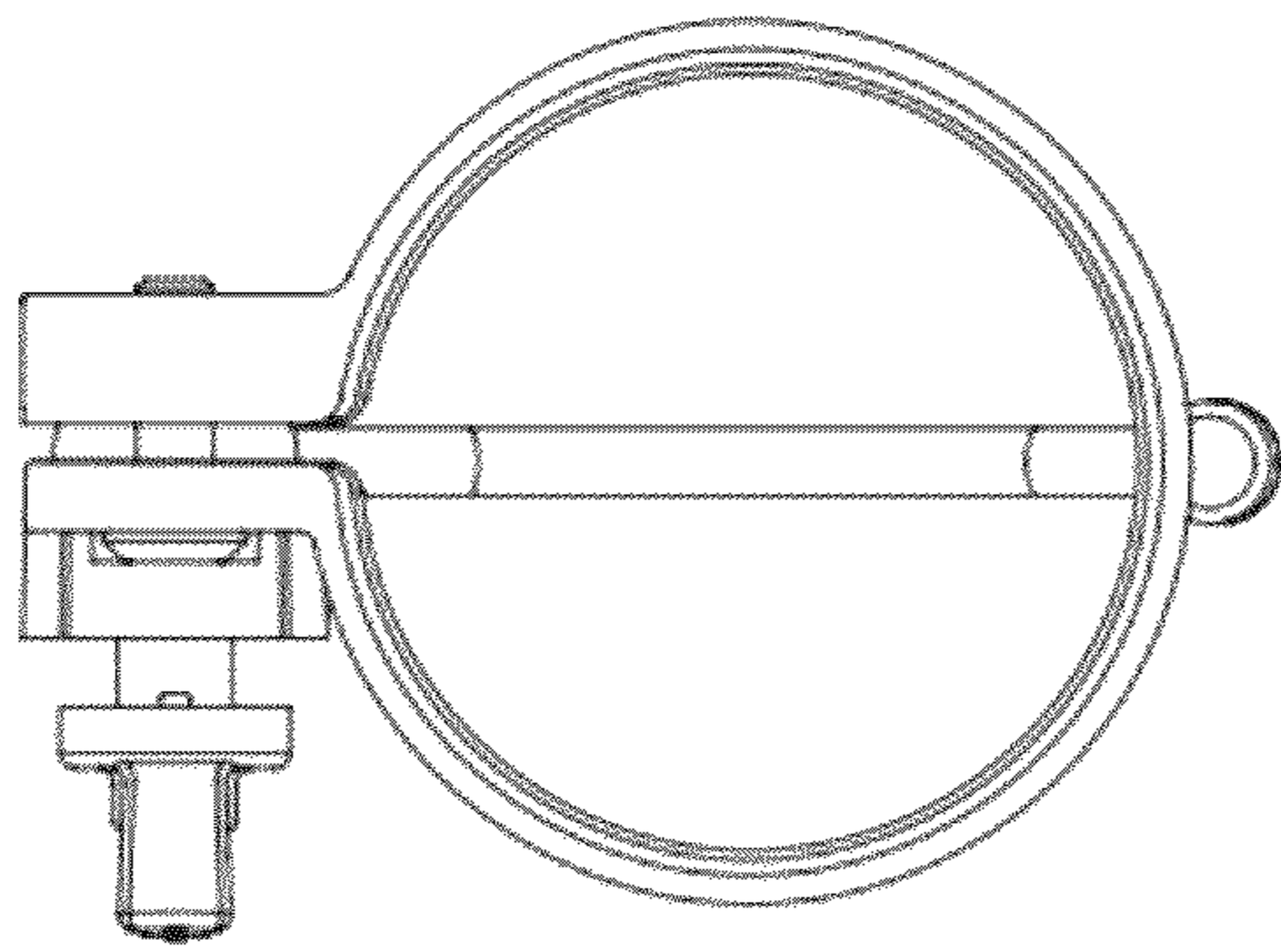


FIG. 3

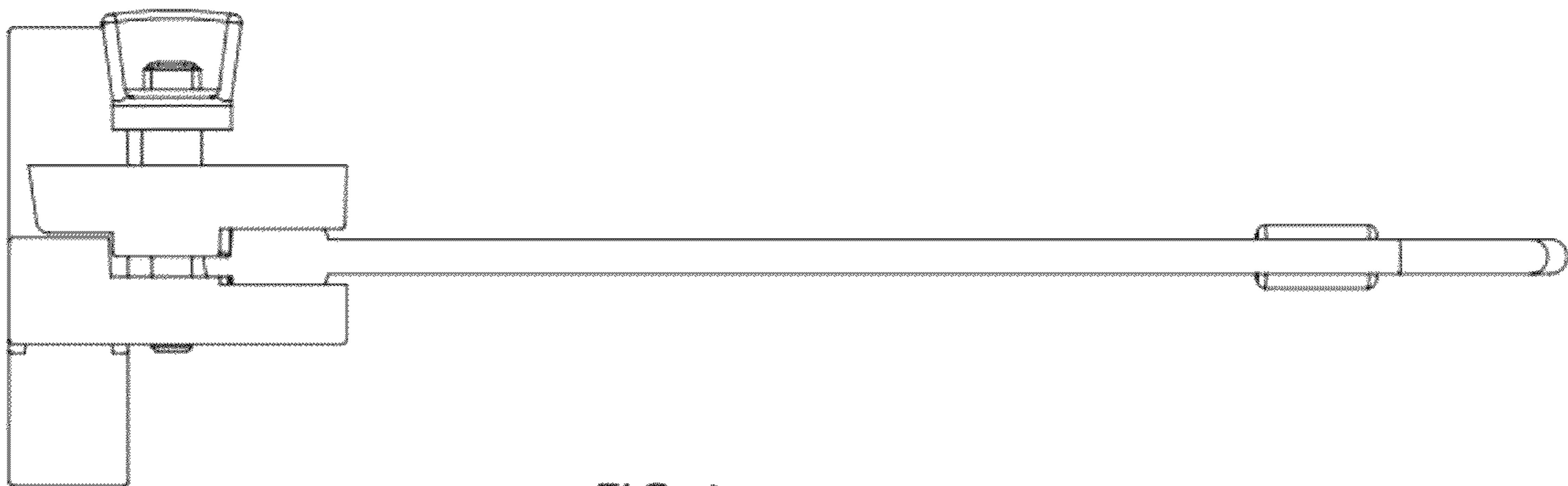


FIG. 4

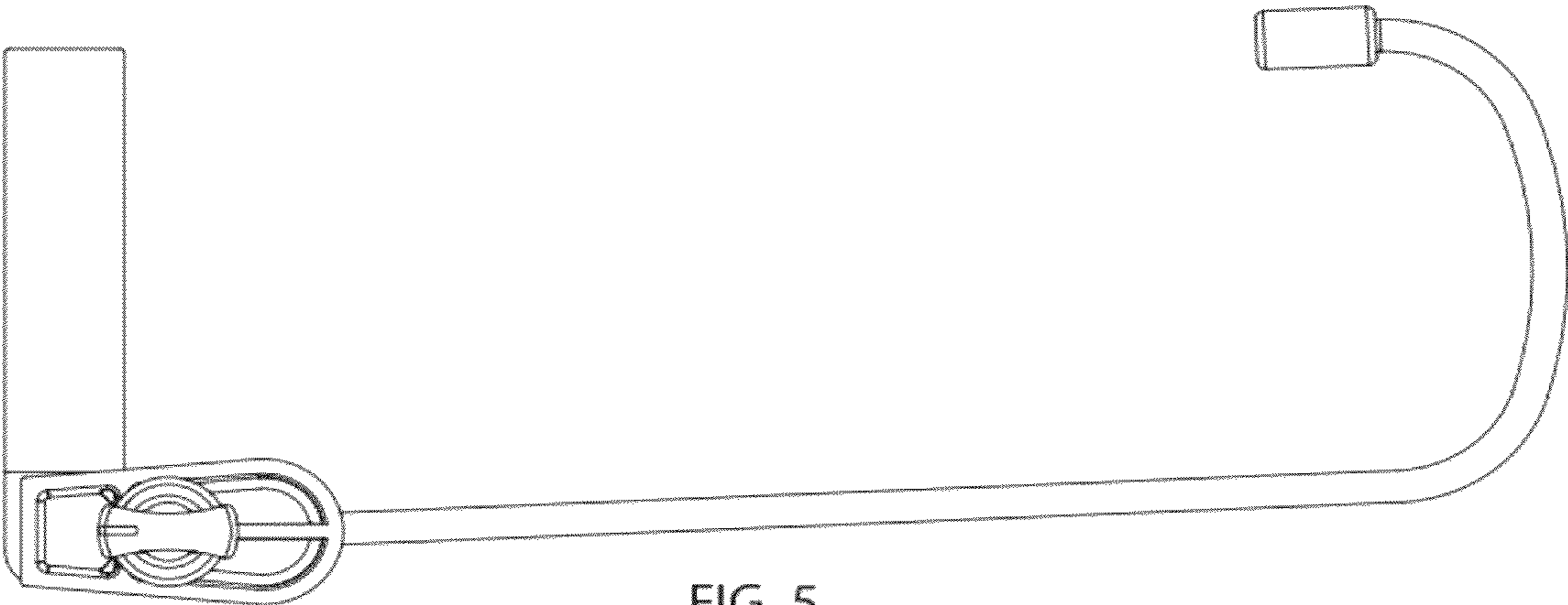


FIG. 5

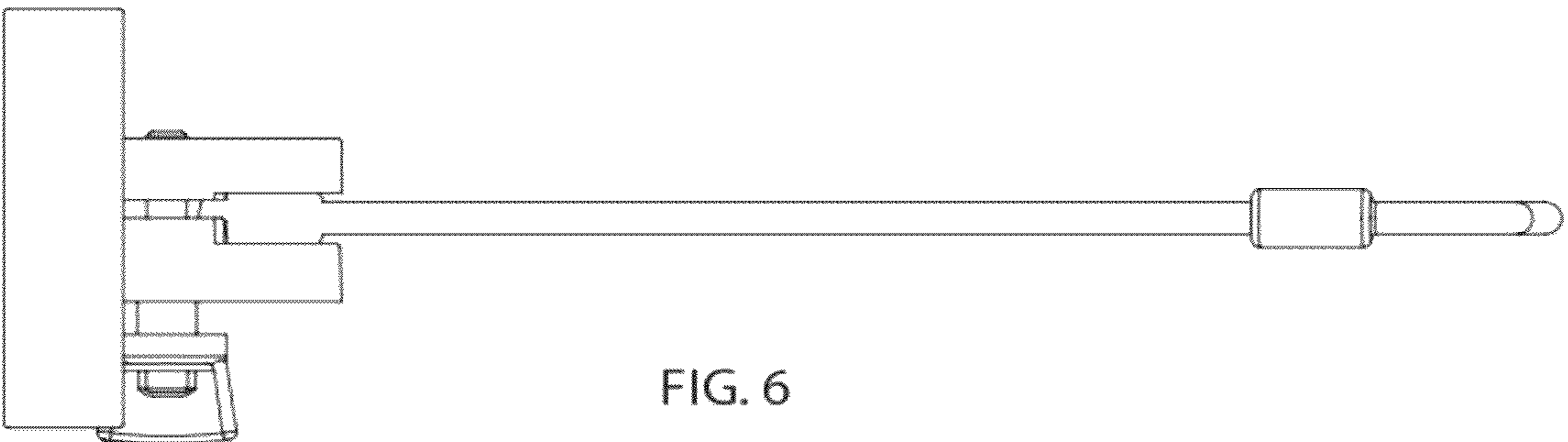


FIG. 6

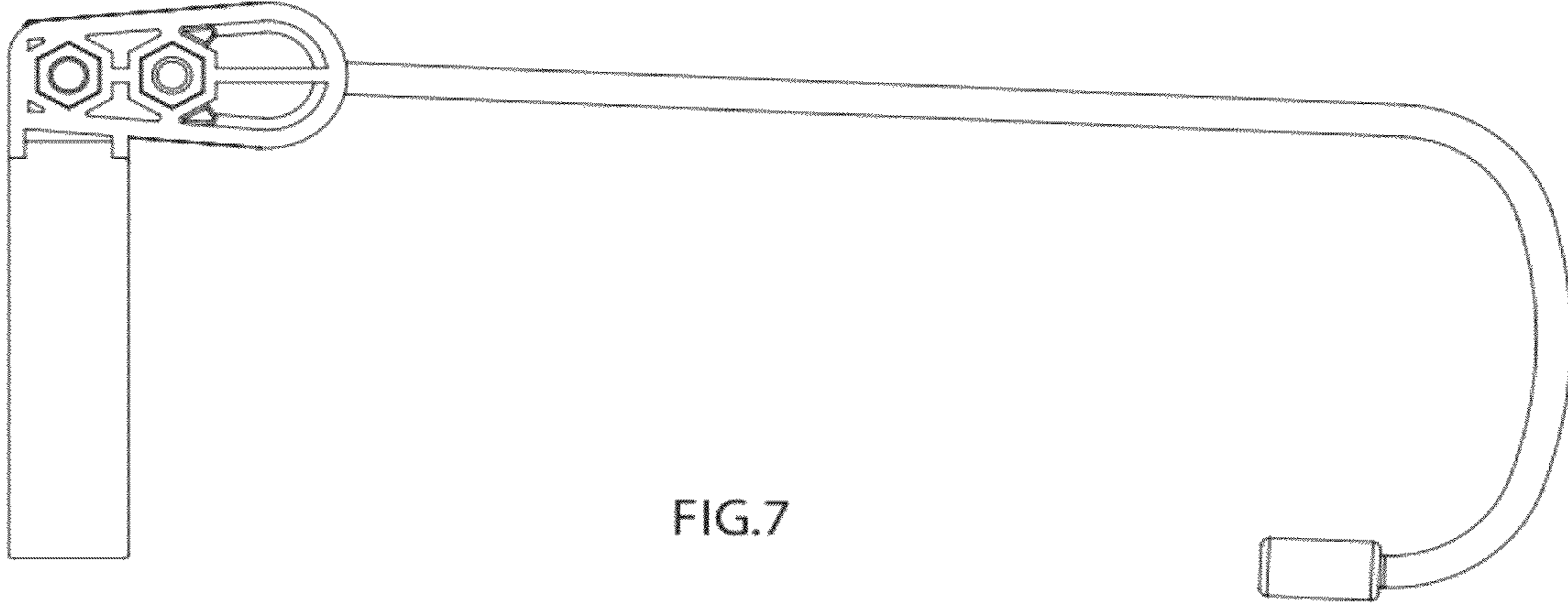


FIG. 7

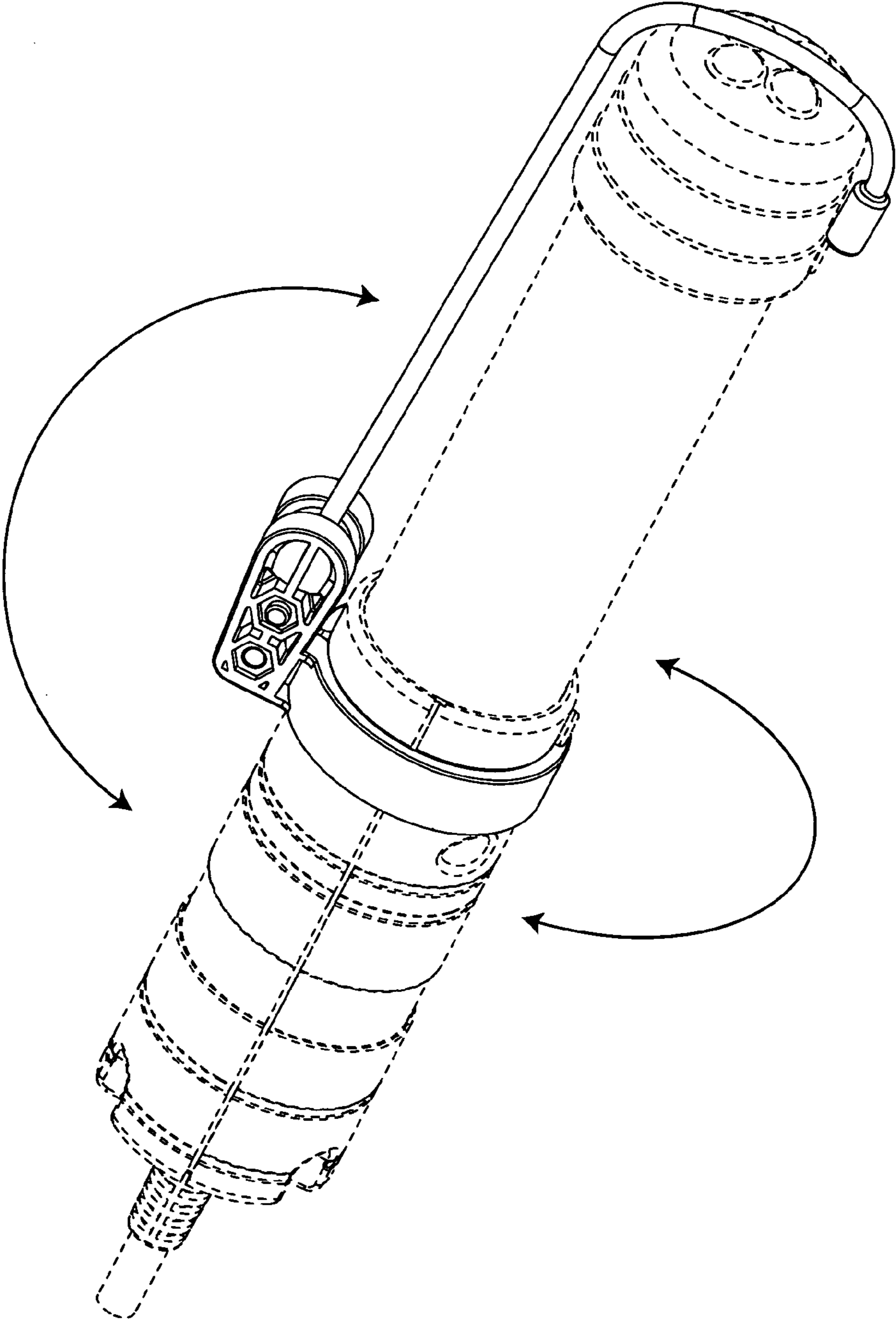


FIG. 8