



US00D664288S

(12) **United States Design Patent**
De Lucchi

(10) **Patent No.:** **US D664,288 S**
(45) **Date of Patent:** **** Jul. 24, 2012**

(54) **LAMP**

(75) Inventor: **Michele De Lucchi**, Pregnana Milanese (IT)

(73) Assignee: **Artemide S.p.A.**, Milan (IT)

(**) Term: **14 Years**

(21) Appl. No.: **29/376,800**

(22) Filed: **Oct. 12, 2010**

(30) **Foreign Application Priority Data**

Apr. 12, 2010 (IT) MI2010O0073

(51) **LOC (9) Cl.** **26-99**

(52) **U.S. Cl.** **D26/138**

(58) **Field of Classification Search** 248/343;
D13/179, 180, 134, 146; 361/697; 362/218,
362/223, 260, 346, 364, 362, 382, 147, 547,
362/150, 219, 220, 224, 247, 354, 555, 343,
362/511; D24/210; D23/328; D26/118,
D26/120, 113, 119, 121, 122, 123, 124, 125,
D26/126, 128, 129, 130, 131, 132, 135, 138,
D26/140, 141, 142, 152, 24, 25, 59, 60, 61,
D26/72, 74, 75, 76, 77, 78, 88, 85, 87, 89,
D26/90, 91, 153, 154, 155, 143, 144, 145,
D26/71, 67, 65, 64, 1, 2, 3

See application file for complete search history.

(56) **References Cited**

U.S. PATENT DOCUMENTS

D42,583 S * 6/1912 Morgan D26/81
D75,012 S * 5/1928 Johnson D24/210
D111,214 S * 9/1938 Petzold D26/121
D128,480 S * 7/1941 Elting D26/144
D129,922 S * 10/1941 Irmischer D26/24

D196,449 S * 10/1963 Quistgaard D26/13
D206,816 S * 1/1967 Myers et al. D26/13
D209,161 S * 11/1967 Beagle D26/13
D212,967 S * 12/1968 Glenn et al. D26/13
D326,539 S * 5/1992 Ku D26/138
D346,459 S * 4/1994 King D26/84
D481,150 S * 10/2003 Lee D26/81
D520,668 S * 5/2006 Brunner D26/81
D541,970 S * 5/2007 Blackman D26/81
D564,703 S * 3/2008 Pedersen D26/144
D567,996 S * 4/2008 Pedersen D26/138
D575,447 S * 8/2008 Pedersen D26/144
D638,983 S * 5/2011 Martin D26/144

* cited by examiner

Primary Examiner — Kevin Rudzinski

(74) *Attorney, Agent, or Firm* — Venable LLP; Robert Kinberg; Leigh D. Thelen

(57) **CLAIM**

The ornamental design for a lamp, as shown and described.

DESCRIPTION

FIG. 1 is a bottom perspective view of the lamp according to an embodiment of the present invention;
FIG. 2 is a front view of the lamp according to the embodiment of the present invention;
FIG. 3 is a rear view of the lamp according to the embodiment of the present invention;
FIG. 4 is a top view of the lamp according to the embodiment of the present invention;
FIG. 5 is a bottom view of the lamp according to the embodiment of the present invention;
FIG. 6 is a right side view of the lamp according to the embodiment of the present invention; and,
FIG. 7 is a left side view of the lamp according to the first embodiment of the present invention.

1 Claim, 4 Drawing Sheets

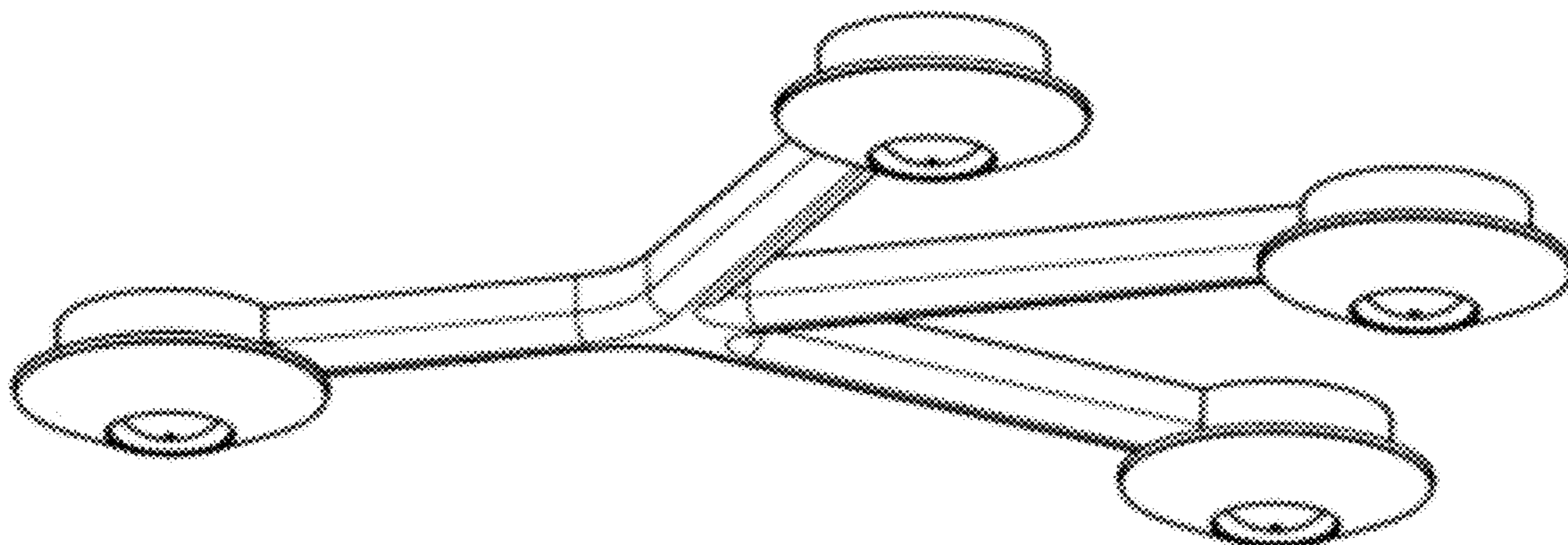


FIG. 1

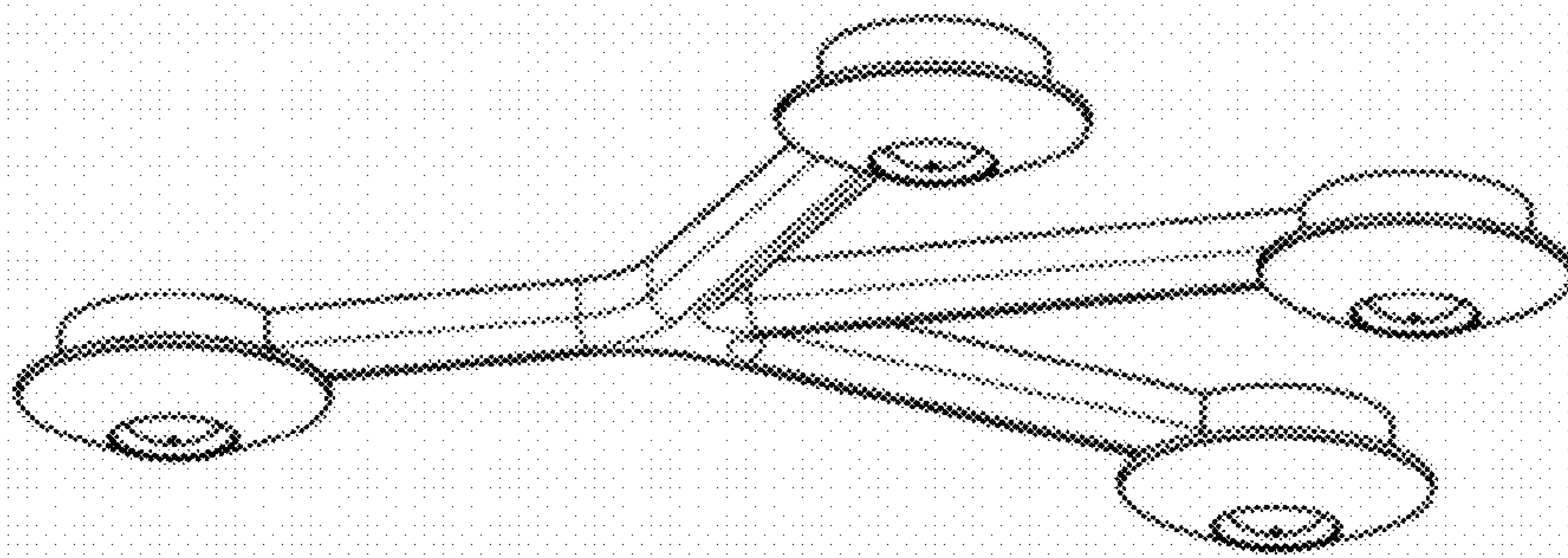


FIG.2

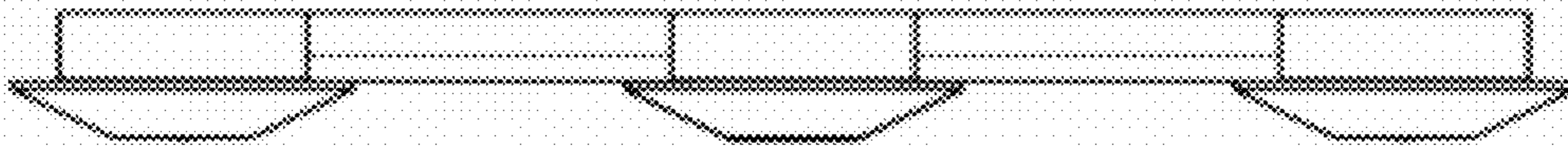


FIG.3



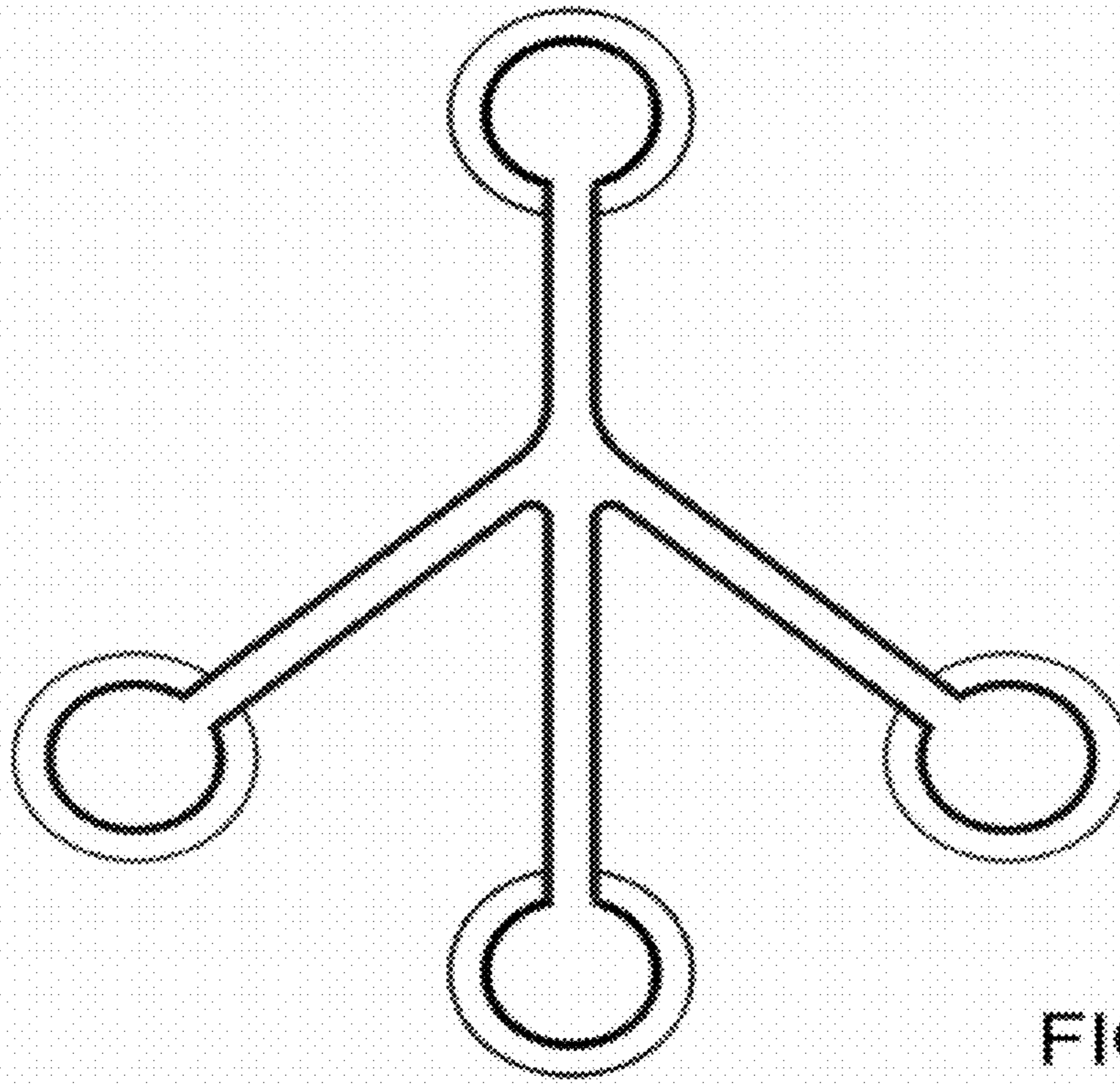


FIG. 4

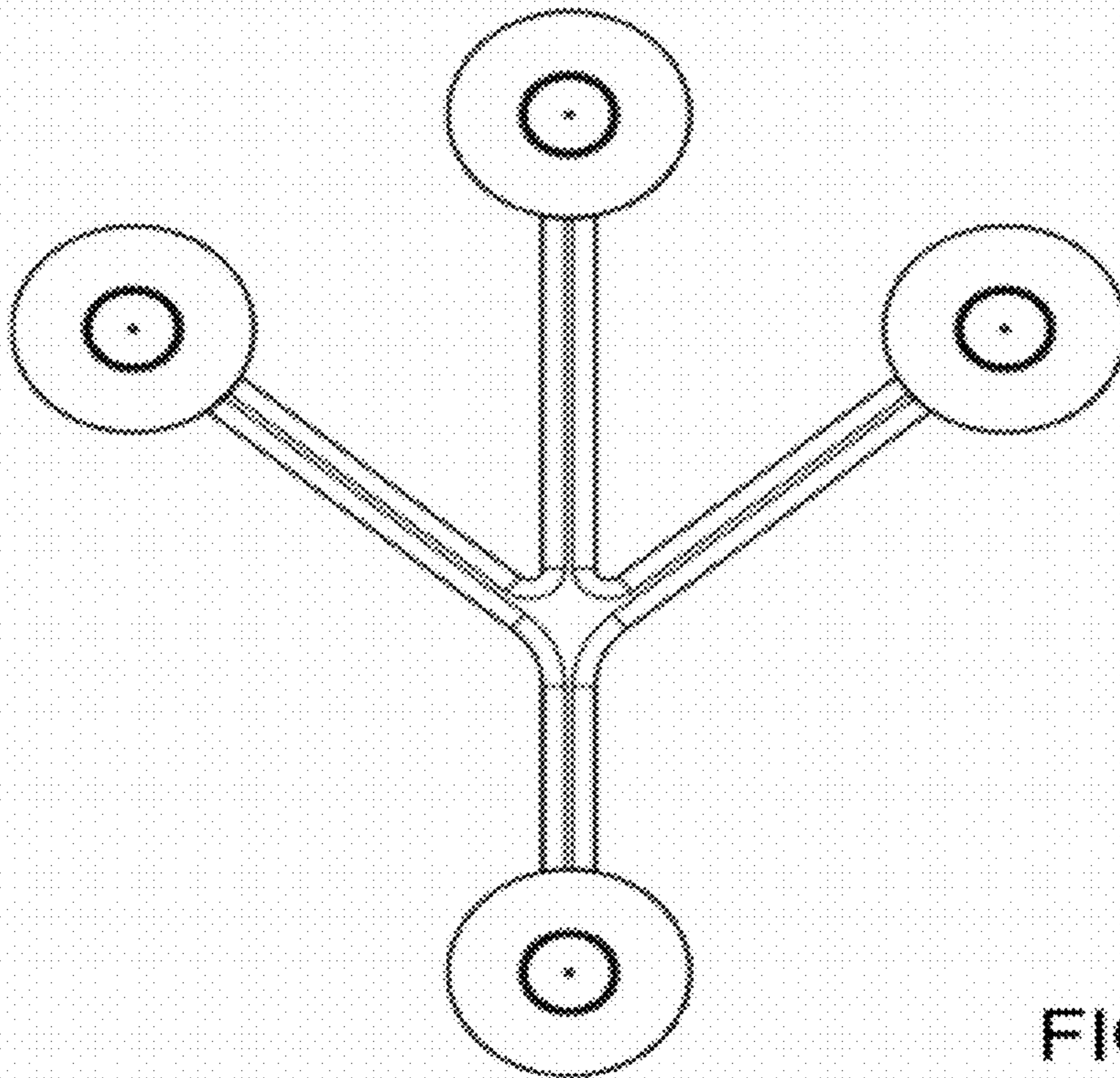


FIG. 5

FIG. 6

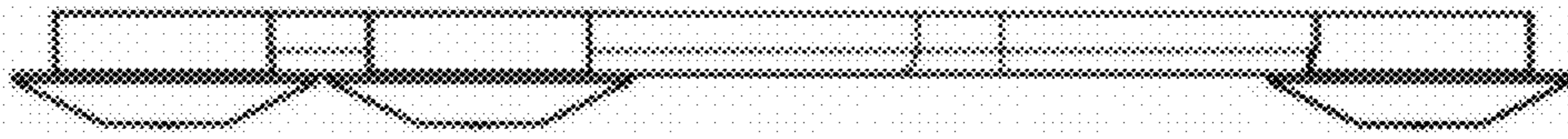


FIG. 7

