

US00D664287S

(12) **United States Design Patent**
Cegnar

(10) **Patent No.:** **US D664,287 S**

(45) **Date of Patent:** **** Jul. 24, 2012**

(54) **LIGHTING ASSEMBLY**

(76) Inventor: **Erik Cegnar**, Moscow, ID (US)

(**) Term: **14 Years**

(21) Appl. No.: **29/404,018**

(22) Filed: **Oct. 13, 2011**

(51) **LOC (9) Cl.** **26-99**

(52) **U.S. Cl.** **D26/128**

(58) **Field of Classification Search** D26/71,
D26/72, 74, 76, 75, 78, 113, 118, 119, 120,
D26/121, 122, 123, 124, 125, 126, 127, 128,
D26/130, 131, 2, 116, 88, 84, 82, 83, 85,
D26/86, 87, 89, 90, 91, 92, 141, 142, 144,
D26/145, 152, 153, 155, 138, 139, 140, 58,
D26/24, 22, 23, 25, 26, 27, 28, 29, 30, 62,
D26/63, 64, 65, 66, 67, 68, 69, 70, 60, 61,
D26/51, 52, 53, 54, 55, 56, 57; 362/373,
362/345, 362, 326, 363, 364, 365, 372, 253,
362/294, 374, 375, 371, 490, 491, 308, 309,
362/310, 311.06, 249.02, 235, 236, 473,
362/418, 419, 420, 321, 322, 323, 324, 325,
362/276; 250/342; D23/418, 366; 239/44,
239/43, 4, 45; D13/134, 179, 180

See application file for complete search history.

(56) **References Cited**

U.S. PATENT DOCUMENTS

3,116,022	A *	12/1963	Davis	362/294
D355,722	S *	2/1995	Roos et al.	D26/63
D384,430	S *	9/1997	Lecluze	D26/24
D385,638	S *	10/1997	Bonnette et al.	D26/62
D486,259	S *	2/2004	Crawford et al.	D26/51
D491,684	S *	6/2004	McInnis	D26/63
6,744,693	B2 *	6/2004	Brockmann et al.	362/321

D495,079	S *	8/2004	Mullen	D26/63
D507,668	S *	7/2005	Kwong	D26/24
D537,972	S *	3/2007	Mier-Langner et al.	D26/63
D541,456	S *	4/2007	Kosche	D26/63
D542,956	S *	5/2007	Benghozi	D26/63
D563,579	S *	3/2008	Grimberg	D26/61
D575,444	S *	8/2008	Lissoni	D26/137
D587,832	S *	3/2009	Bergmann et al.	D26/63
D589,189	S *	3/2009	Sabernig	D26/63
D589,191	S *	3/2009	Sabernig	D26/63
D600,390	S *	9/2009	Sabernig	D26/65
D616,587	S *	5/2010	Sabernig	D26/63
D626,675	S *	11/2010	Leen	D26/63
D627,498	S *	11/2010	Chipperfield	D26/63
2004/0090785	A1 *	5/2004	McInnis	362/362
2006/0133097	A1 *	6/2006	Doric et al.	362/401
2008/0158894	A1 *	7/2008	Dixon et al.	362/418

* cited by examiner

Primary Examiner — Kevin Rudzinski

(74) *Attorney, Agent, or Firm* — Wells St. John, PS

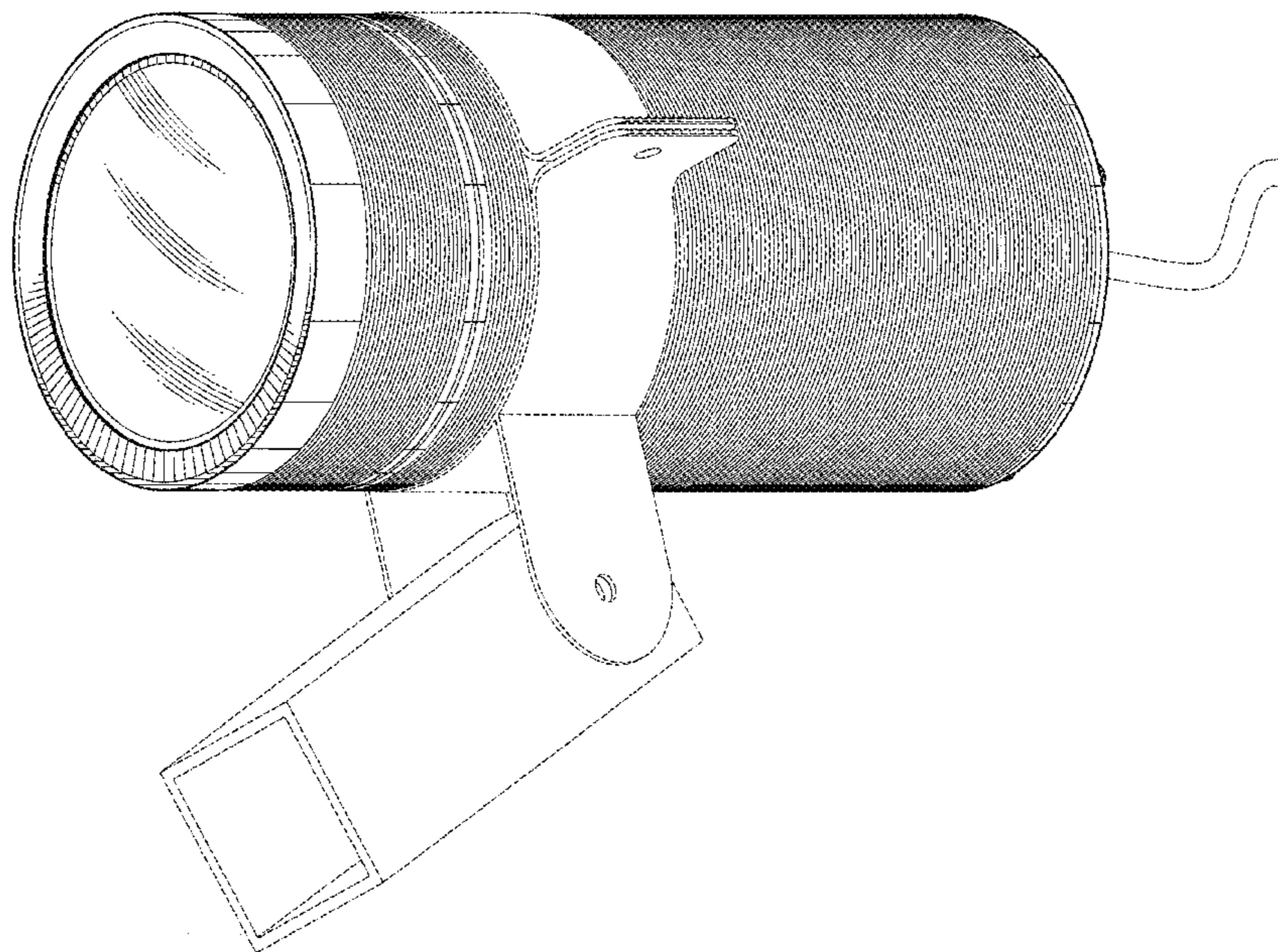
(57) **CLAIM**

I claim the ornamental design for a lighting assembly, as shown and described.

DESCRIPTION

FIG. 1 is a perspective view of a lighting assembly. FIG. 2 is a perspective view thereof, with unclaimed features removed for clarity of disclosure. FIG. 3 is a reduced front side view thereof. FIG. 4 is a reduced rear side view thereof; and, FIG. 5 is a reduced top view thereof. The left and right side views and the bottom view of the lighting assembly are the same as the top view of the lighting assembly. The broken lines shown in the drawings illustrate environmental structures that form no part of the claimed design.

1 Claim, 4 Drawing Sheets



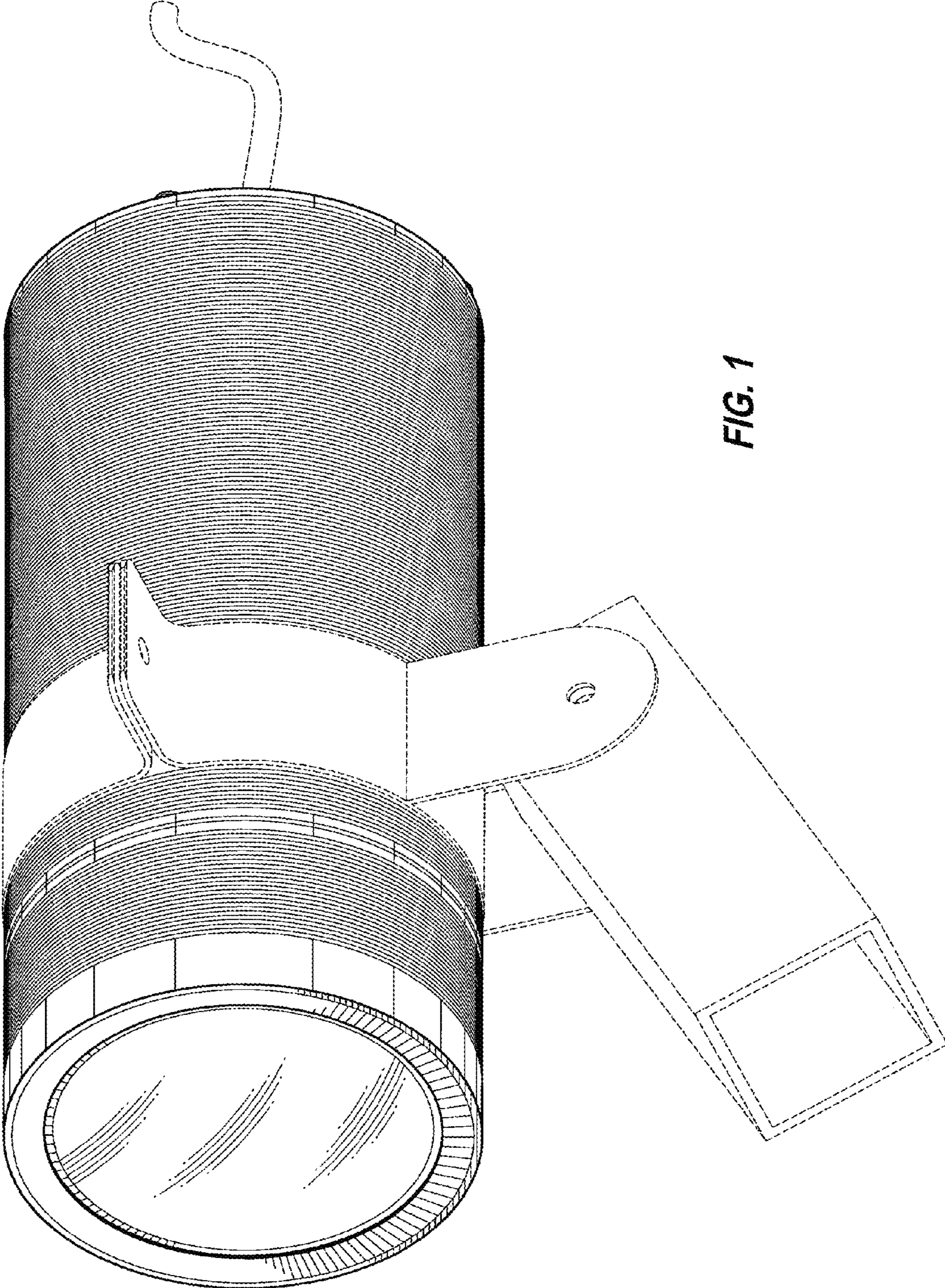


FIG. 1

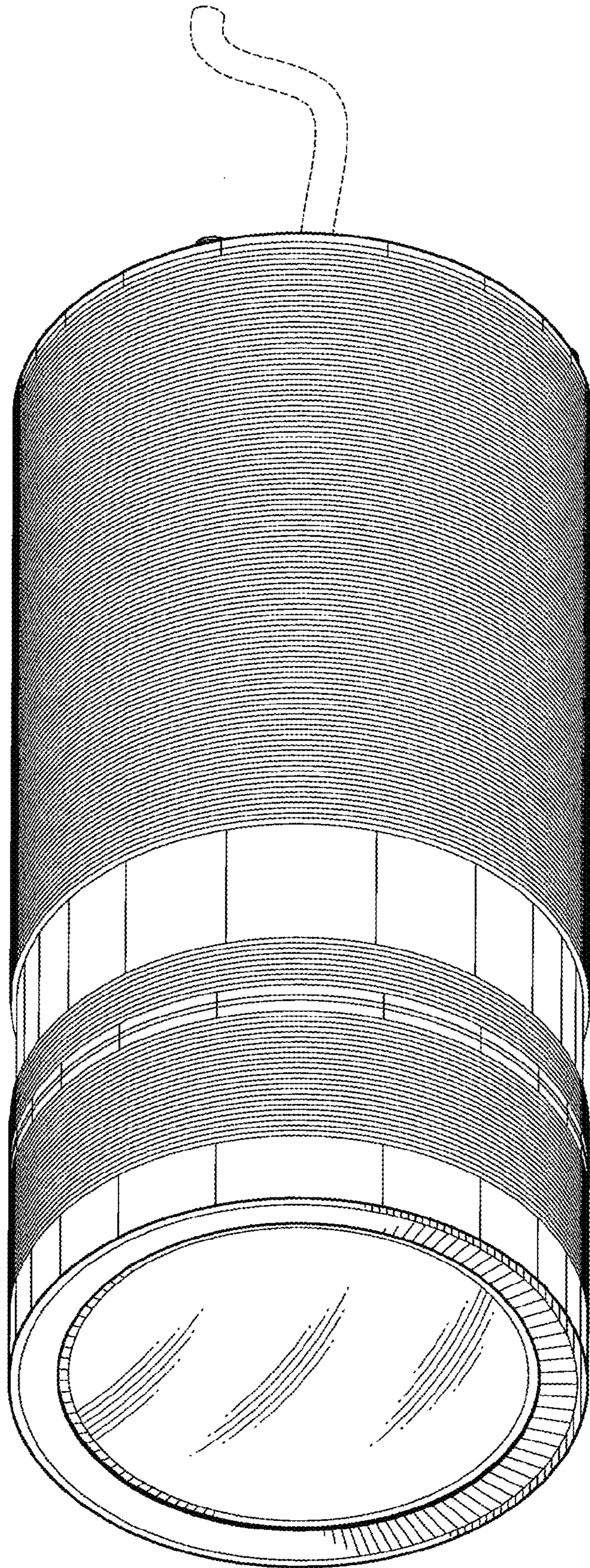


FIG. 2

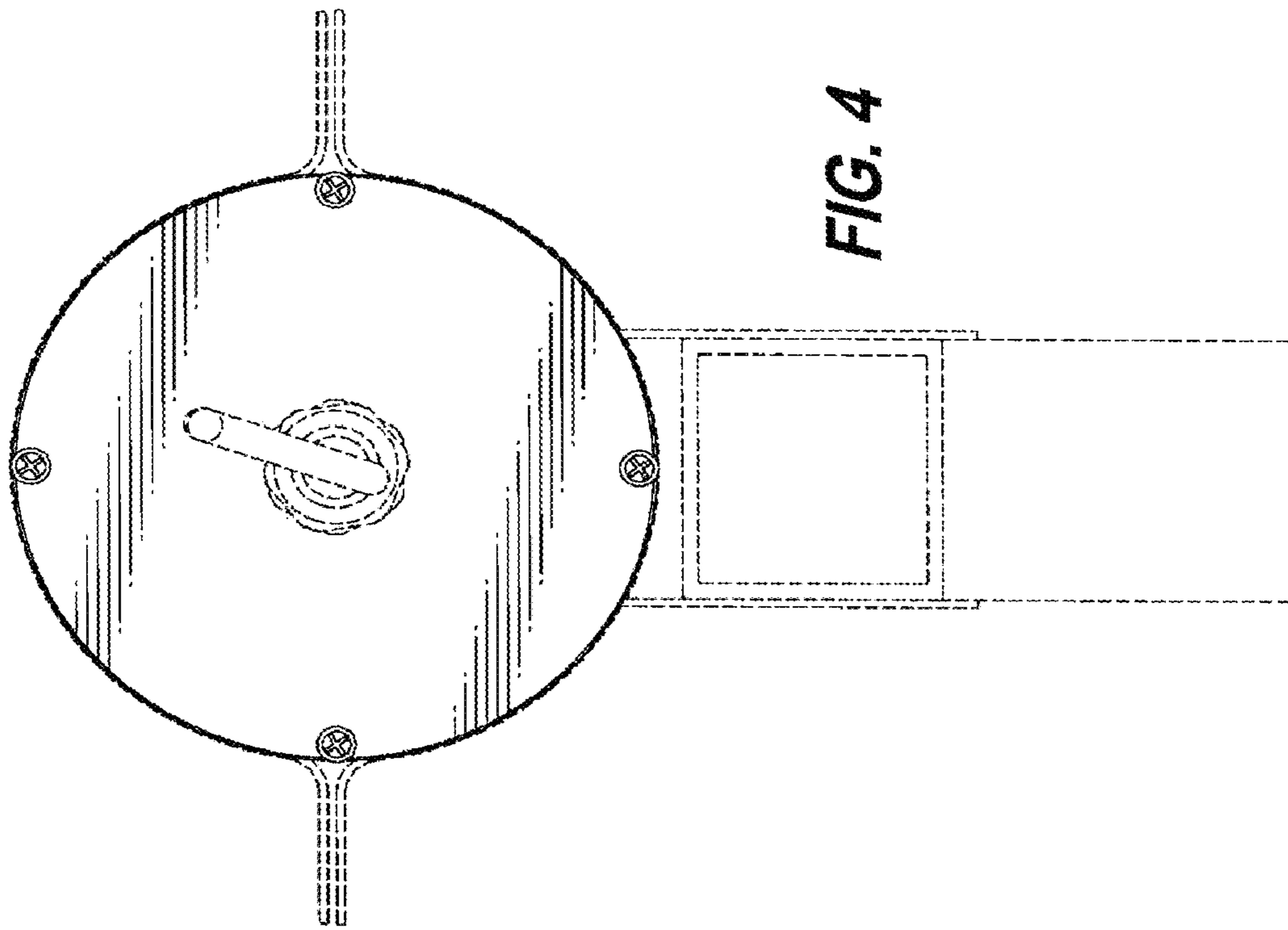


FIG. 4

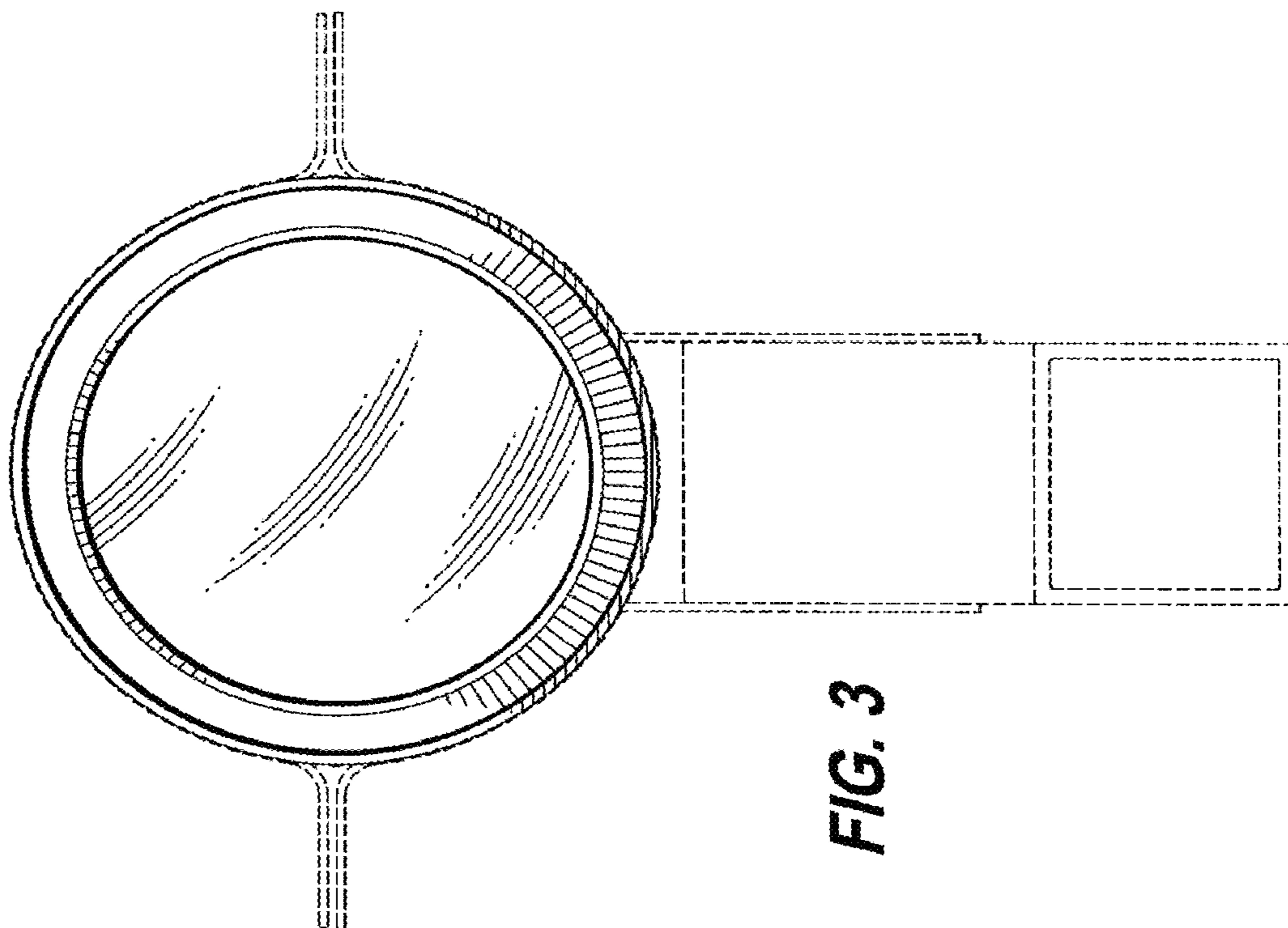


FIG. 3

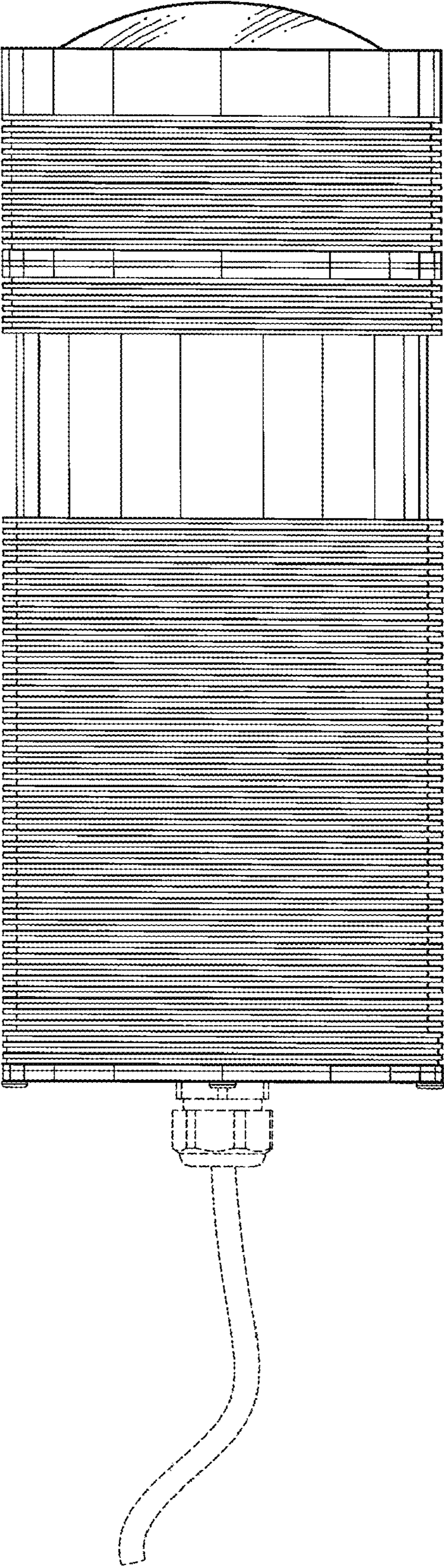


FIG. 5