



US00D664283S

(12) **United States Design Patent**  
**Sofield**

(10) **Patent No.:** **US D664,283 S**

(45) **Date of Patent:** **\*\* Jul. 24, 2012**

(54) **LAMP**

(75) Inventor: **William Sofield**, New York, NY (US)

(73) Assignee: **Baker, Knapp & Tubbs, Inc.**, Hickory, NC (US)

(\*\*) Term: **14 Years**

(21) Appl. No.: **29/399,298**

(22) Filed: **Aug. 11, 2011**

**Related U.S. Application Data**

(62) Division of application No. 29/345,533, filed on Oct. 16, 2009.

(51) **LOC (9) Cl.** ..... **26-03**

(52) **U.S. Cl.** ..... **D26/93**

(58) **Field of Classification Search** ..... D26/24,  
D26/61-67, 93, 102, 104-105, 108-109;  
362/509, 516, 523, 186, 217, 255, 257, 277,  
362/317, 319, 351, 354, 355, 357, 358, 362,  
362/382, 410, 413, 417, 806

See application file for complete search history.

(56) **References Cited**

**U.S. PATENT DOCUMENTS**

D525,739	S	*	7/2006	Wu	.....	D26/93
D590,093	S	*	4/2009	Starck	.....	D26/93
D611,185	S	*	3/2010	Jourdan	.....	D26/93
D614,798	S	*	4/2010	Sabernig	.....	D26/93
D625,039	S	*	10/2010	Citterio	.....	D26/93
D643,143	S	*	8/2011	Sabernig	.....	D26/93
D647,242	S	*	10/2011	Staples	.....	D26/93

**OTHER PUBLICATIONS**

Baker®, The Jacques Garcia Collection, Petite Champs Large Table Lamp (Chrome) No. JG207-CHR, 1 Page.

Baker®, The Jacques Garcia Collection, Petite Champs Large Table Lamp (Bronze) No. JG207-BRZ, 1 Page.

Baker®, The Jacques Garcia Collection, Bamboo Floor Lamp No. JG205, 1 Page.

Baker®, The Jacques Garcia Collection, Bastide Floor Lamp No. JG201G, 1 Page.

Baker®, The Jacques Garcia Collection, Lyre Floor Lamp No. JG202G, 1 Page.

Baker®, The Jacques Garcia Collection, Leaves Floor Lamp No. JG204, 1 Page.

Baker®, Collector's Edition, Hibiscus Bamboo Floor Lamp No. CE402, 1 Page.

Baker®, The Bill Solfield Collection, Arbor Floor Light No. BSA121, 1 Page.

Baker®, The Barbara Barry Collection, Statuette Floor Lamp No. BB201, 1 Page.

Baker®, The André Arbus Collection, Couture Floor Lamp No. AA200, 1 Page.

Baker®, www.kohlerinteriors.com/baker, The Barbara Barry Collection, Statuette Floor Lamp No. BB201, 2 Pages.

Baker®, Lexicon, Gatling Floor Lamp No. LEX201, 1 Page.

Baker®, Lexicon, Corallium Floor Lamp No. LEX202, 1 Page.

Baker®, The Laura Kirar Collection, Mellon Floor Lamp No. LK102, 1 Page.

Baker®, The Laura Kirar Collection, Luna Floor Lamp No. LK206, 1 Page.

(Continued)

*Primary Examiner* — Brian N Vinson

(74) *Attorney, Agent, or Firm* — Merchant & Gould PC

(57) **CLAIM**

The ornamental design for a lamp, as shown and described.

**DESCRIPTION**

FIG. 1 is a view of a lamp showing my new design;

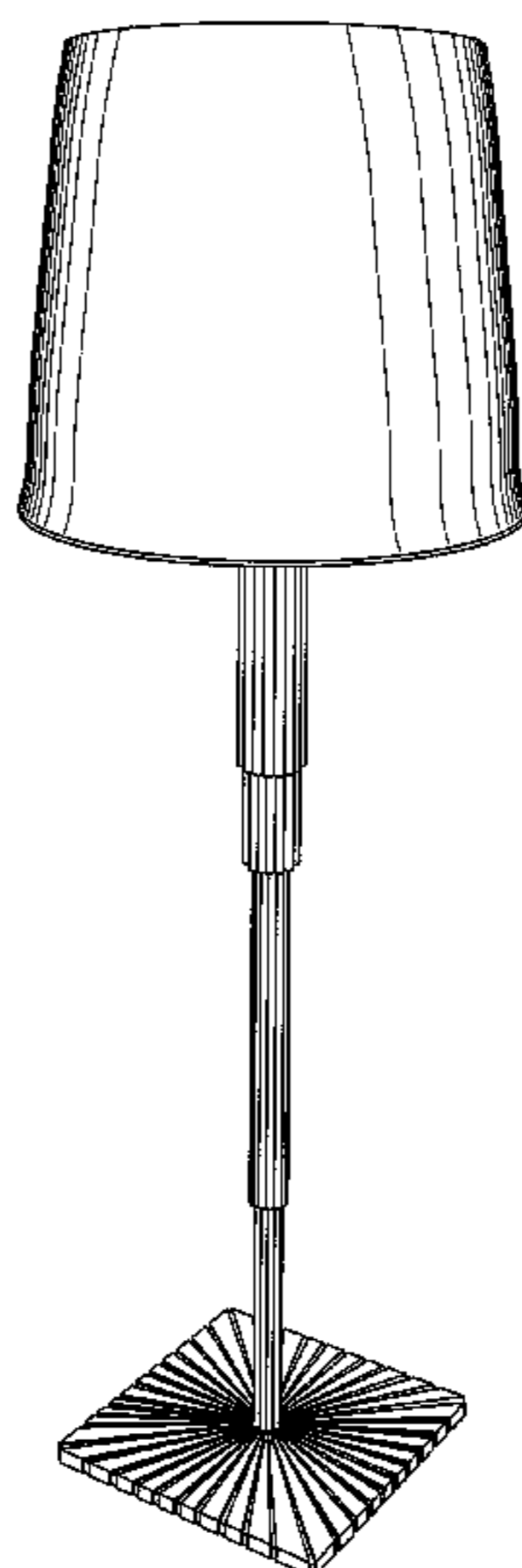
FIG. 2 is a front elevational view thereof, a rear and side elevational views not being shown as they are mirror images of the front elevational view;

FIG. 3 is a top plan view thereof; and,

FIG. 4 is a bottom plan view thereof.

The portions shown in broken lines form no part of the claimed design.

**1 Claim, 3 Drawing Sheets**



OTHER PUBLICATIONS

Baker®, The Milling Road Collection, Telescoping Lamp No. MRL025, 1 Page.

Baker®, The Pagani Collection, Perla Floor Lamp No. PG200, 1 Page.

Baker®, The Pagani Collection, Linea Floor Lamp No. PG204, 1 Page.

Baker®, The Thomas Pheasant Collection, Twisted Column Floor Lamp No. PH023, 1 Page.

Baker®, The Thomas Pheasant Collection, Leather Floor Lamp (Espresso) No. PH212E, 1 Page.

Baker®, The Thomas Pheasant Collection, Paris Floor Lamp No. PH213, 1 Page.

Baker®, The Thomas Pheasant Collection, Classic Floor Lamp No. PH214, 1 Page.

Baker®, The Thomas Pheasant Collection, Dowel Floor Lamp No. PH215, 1 Page.

Baker®, The Thomas Pheasant Collection, Orb Floor Lamp No. PH216BR, 1 Page.

Baker®, The Thomas Pheasant Collection, Orb Floor Lamp No. PH216G, 1 Page.

Baker®, The Thomas Pheasant Collection, Facet Floor Lamp No. PH217, 1 Page.

Baker®, The Thomas Pheasant Collection, Cross Floor Lamp No. PH219, 1 Page.

\* cited by examiner

FIG. 1

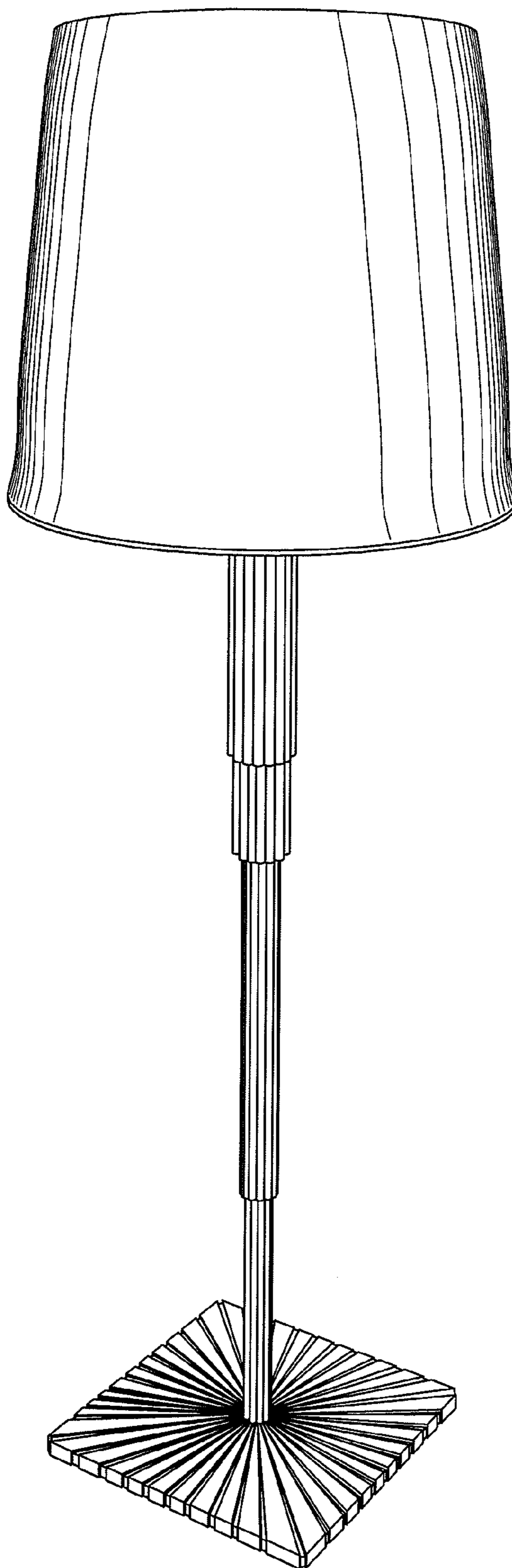


FIG. 2

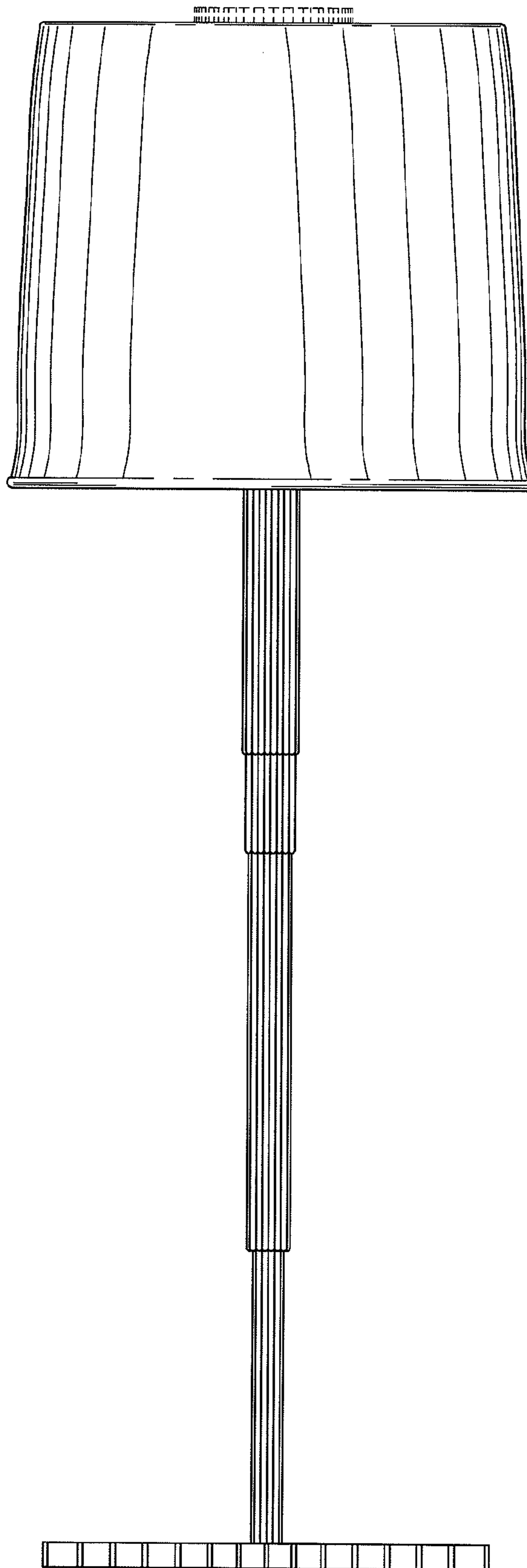


FIG. 3

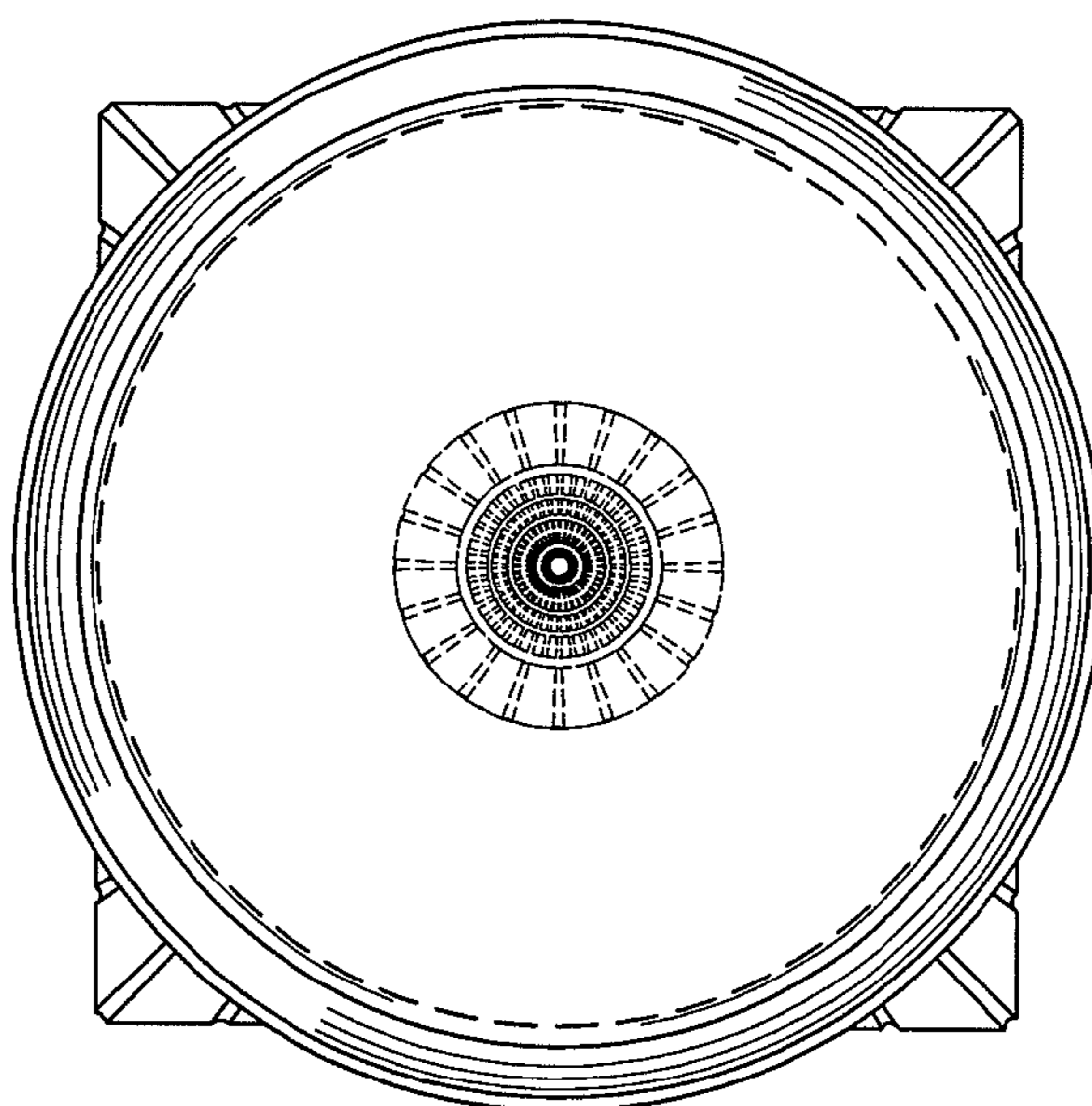


FIG. 4

