



US00D664279S

(12) **United States Design Patent**  
**Meise et al.**

(10) **Patent No.:** **US D664,279 S**  
(45) **Date of Patent:** **\*\* Jul. 24, 2012**

(54) **CEILING LAMP**

(75) Inventors: **Axel Meise**, Munich (DE); **Christoph Kuegler**, Munich (DE)

(73) Assignee: **AML Licht + Design GmbH**, Munich (DE)

(\*\*) Term: **14 Years**

(21) Appl. No.: **29/399,594**

(22) Filed: **Aug. 16, 2011**

**Related U.S. Application Data**

(62) Division of application No. 29/345,025, filed on Oct. 8, 2009.

(30) **Foreign Application Priority Data**

Apr. 8, 2009 (EM) ..... 001119655-0001  
Apr. 8, 2009 (EM) ..... 001119655-0013  
Apr. 8, 2009 (EM) ..... 001119655-0021

(51) **LOC (9) Cl.** ..... **26-05**

(52) **U.S. Cl.** ..... **D26/74; D26/72**

(58) **Field of Classification Search** ..... D26/24,  
D26/72, 74, 80, 81, 83, 85, 88, 61, 63; 362/576,  
362/89, 145, 147, 148, 150, 151, 152, 153,  
362/153.1, 294, 296.01, 311.02, 311.07,  
362/364, 365, 366, 373

See application file for complete search history.

(56) **References Cited**

**U.S. PATENT DOCUMENTS**

D109,740 S \* 5/1938 Stewart ..... D26/137  
D389,592 S \* 1/1998 Reiser ..... D26/36  
D482,484 S \* 11/2003 Benghozi ..... D26/85

D503,823 S \* 4/2005 Yurich ..... D26/89  
D503,993 S \* 4/2005 Yurich ..... D26/89  
D503,994 S \* 4/2005 Yurich ..... D26/89  
D544,128 S \* 6/2007 Carro ..... D26/74  
D549,384 S \* 8/2007 Grawunder ..... D26/89  
D571,497 S \* 6/2008 Chan et al. .... D26/74  
D607,600 S \* 1/2010 Keith ..... D26/85  
D609,840 S \* 2/2010 Tang ..... D26/74  
D617,031 S \* 6/2010 Redfern et al. .... D26/85  
D633,231 S \* 2/2011 Morrison ..... D26/24

\* cited by examiner

*Primary Examiner* — Angela J Lee

(74) *Attorney, Agent, or Firm* — 24IP Law Group; Timothy R. DeWitt

(57) **CLAIM**

The ornamental design for a ceiling lamp, as shown and described.

**DESCRIPTION**

FIG. 1 is a perspective view of a second embodiment of a ceiling lamp showing my new design;

FIG. 2 is a side view of the ceiling lamp shown in FIG. 1;

FIG. 3 is a bottom perspective view of the ceiling lamp shown in FIG. 1;

FIG. 4 is a front elevation view of the ceiling lamp shown in FIG. 1;

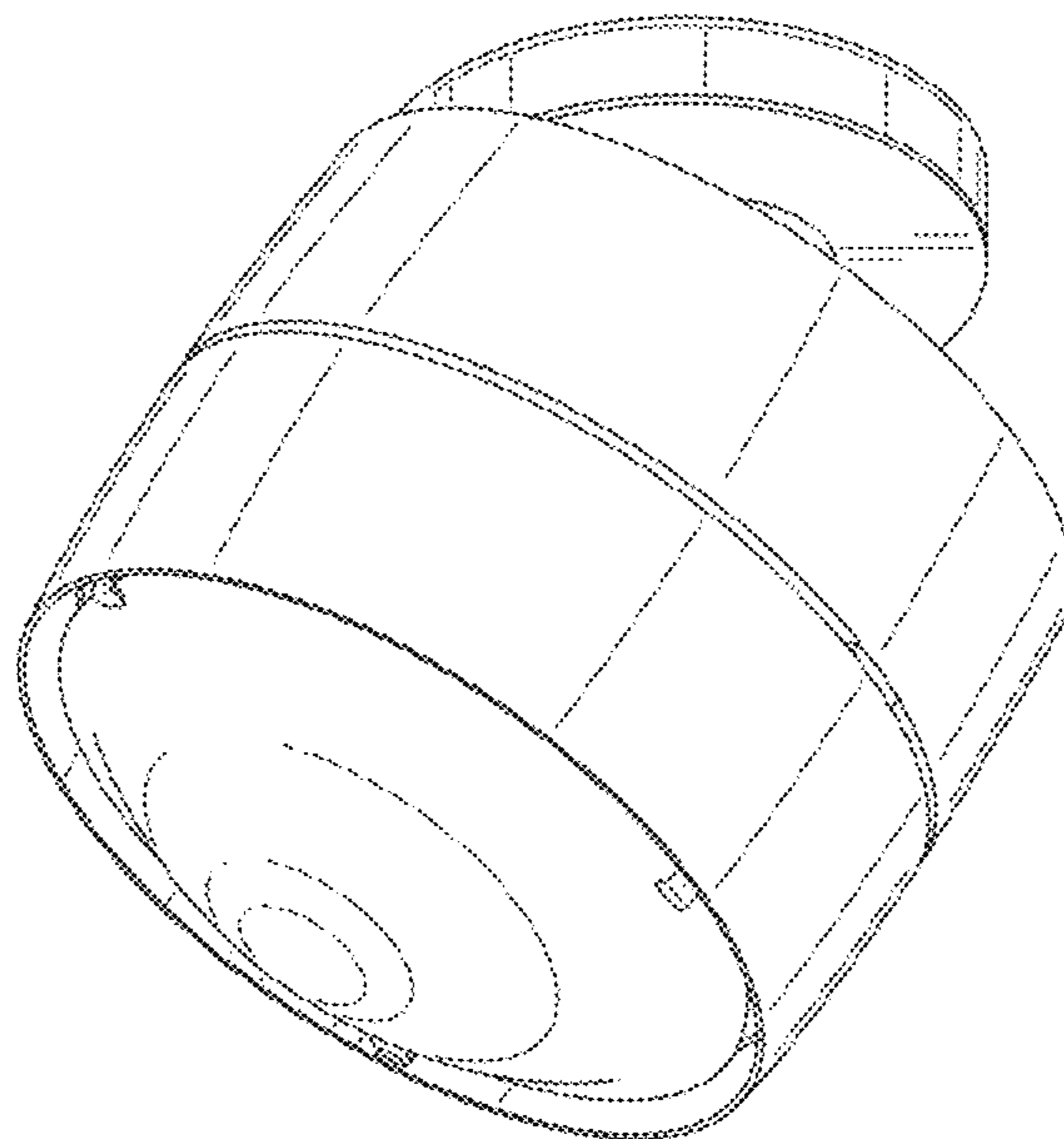
FIG. 5 is a side view of the ceiling lamp shown in FIG. 1, in an alternate position;

FIG. 6 is a side elevation view of the ceiling lamp shown in FIG. 1; and,

FIG. 7 is a top perspective view of the ceiling lamp shown in FIG. 1.

The portions of the ceiling lamp shown in broken lines in the drawings form no part of the claimed design.

**1 Claim, 7 Drawing Sheets**



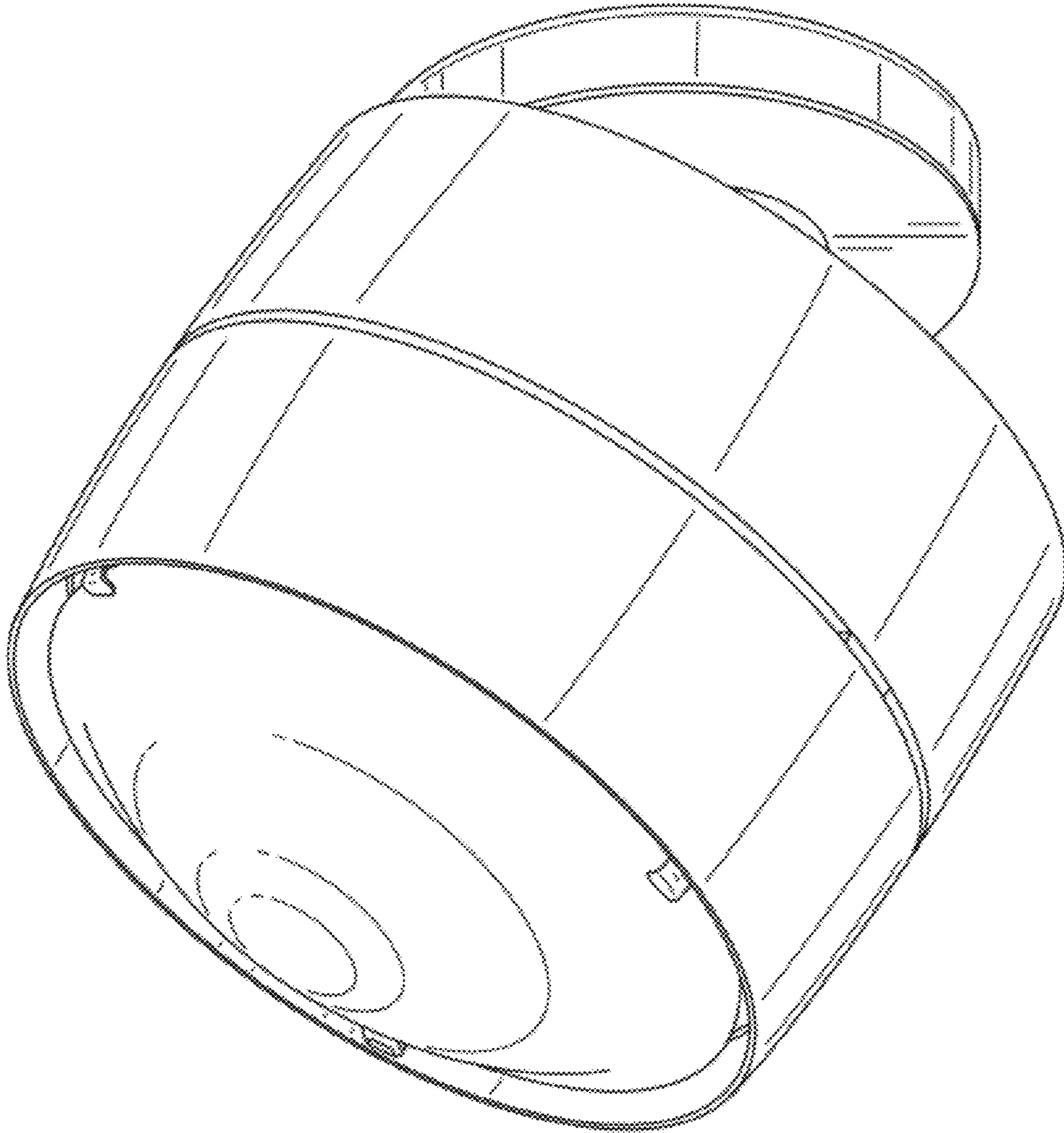


FIG. 1

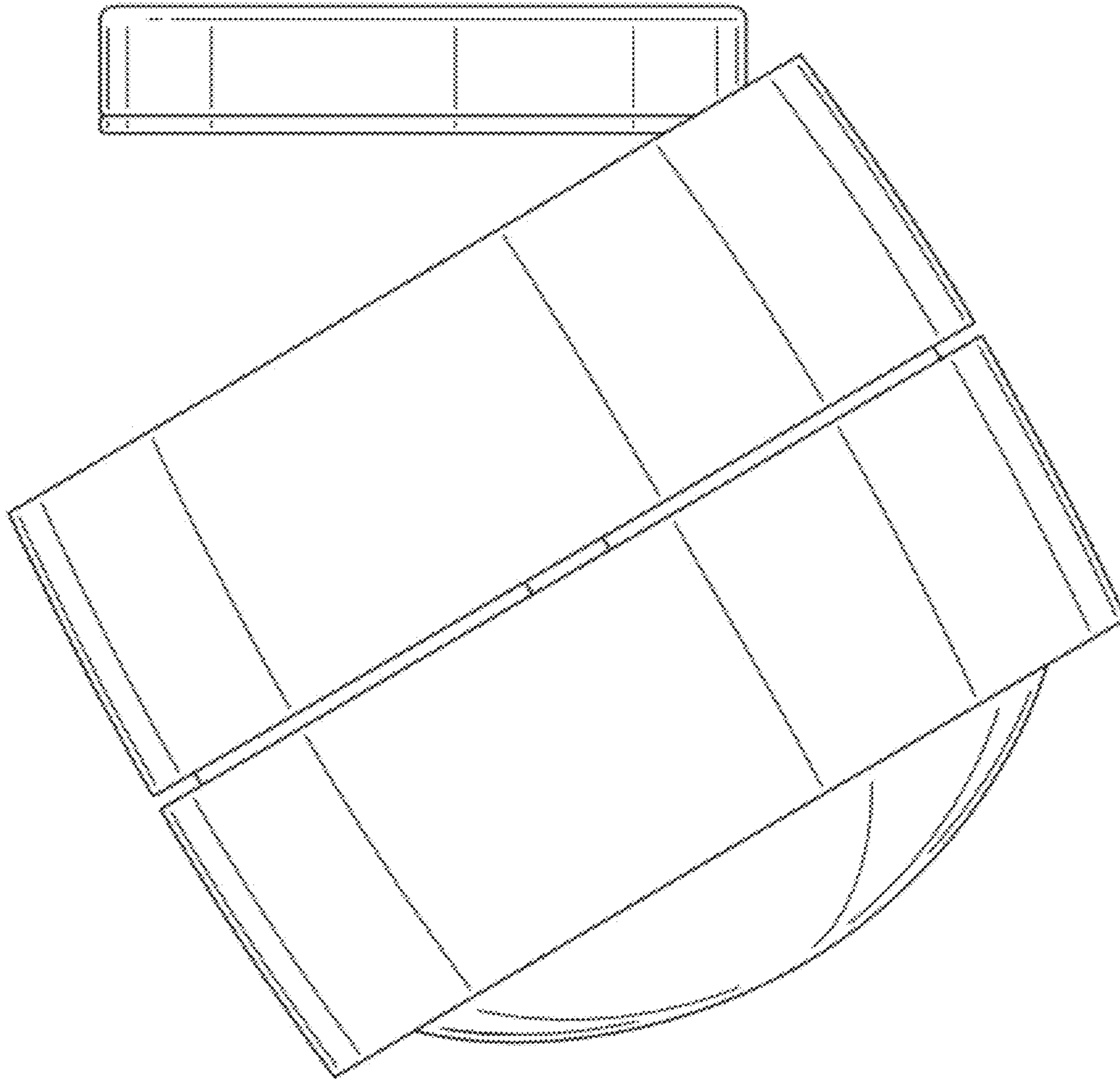


FIG. 2



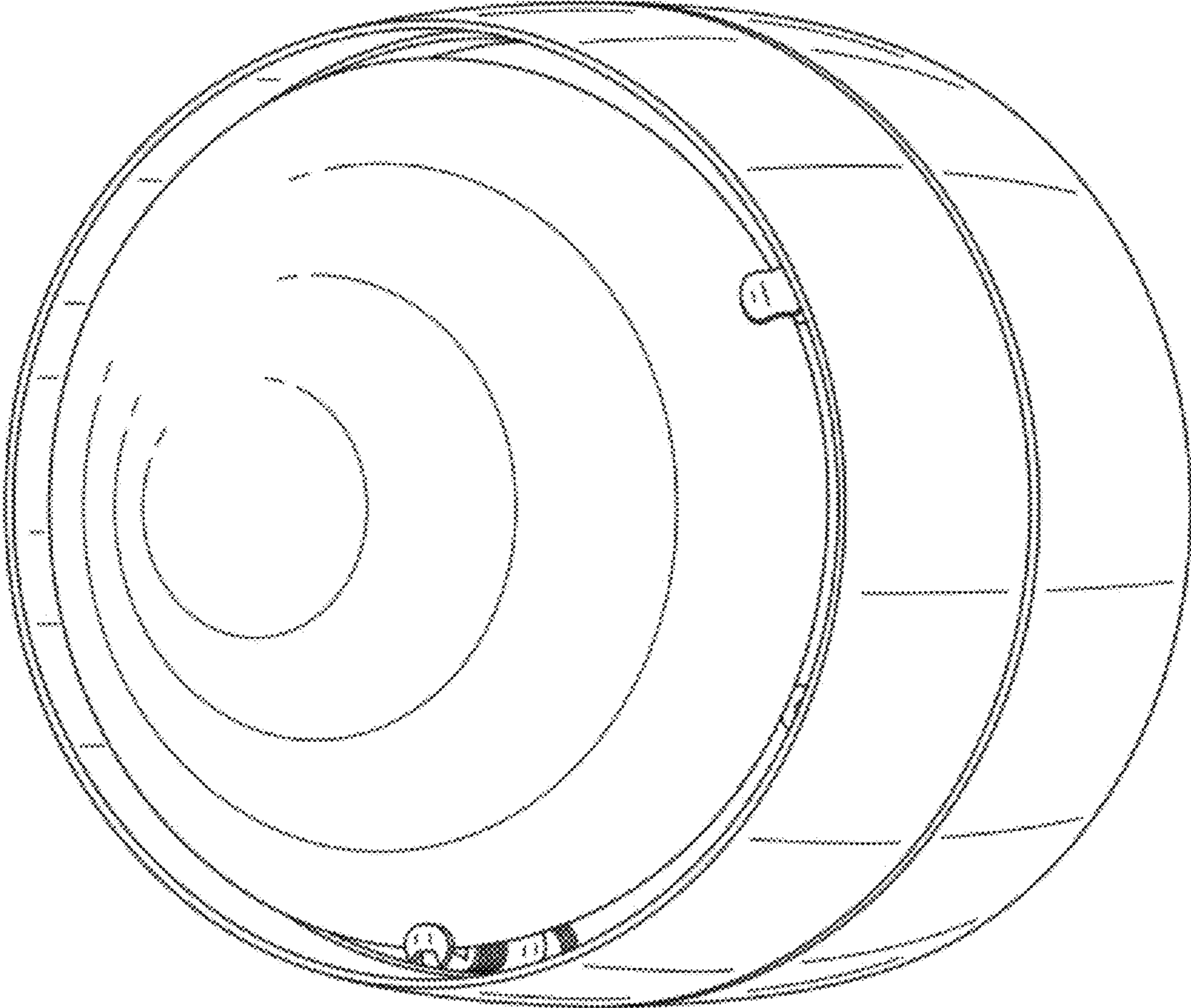


FIG. 3

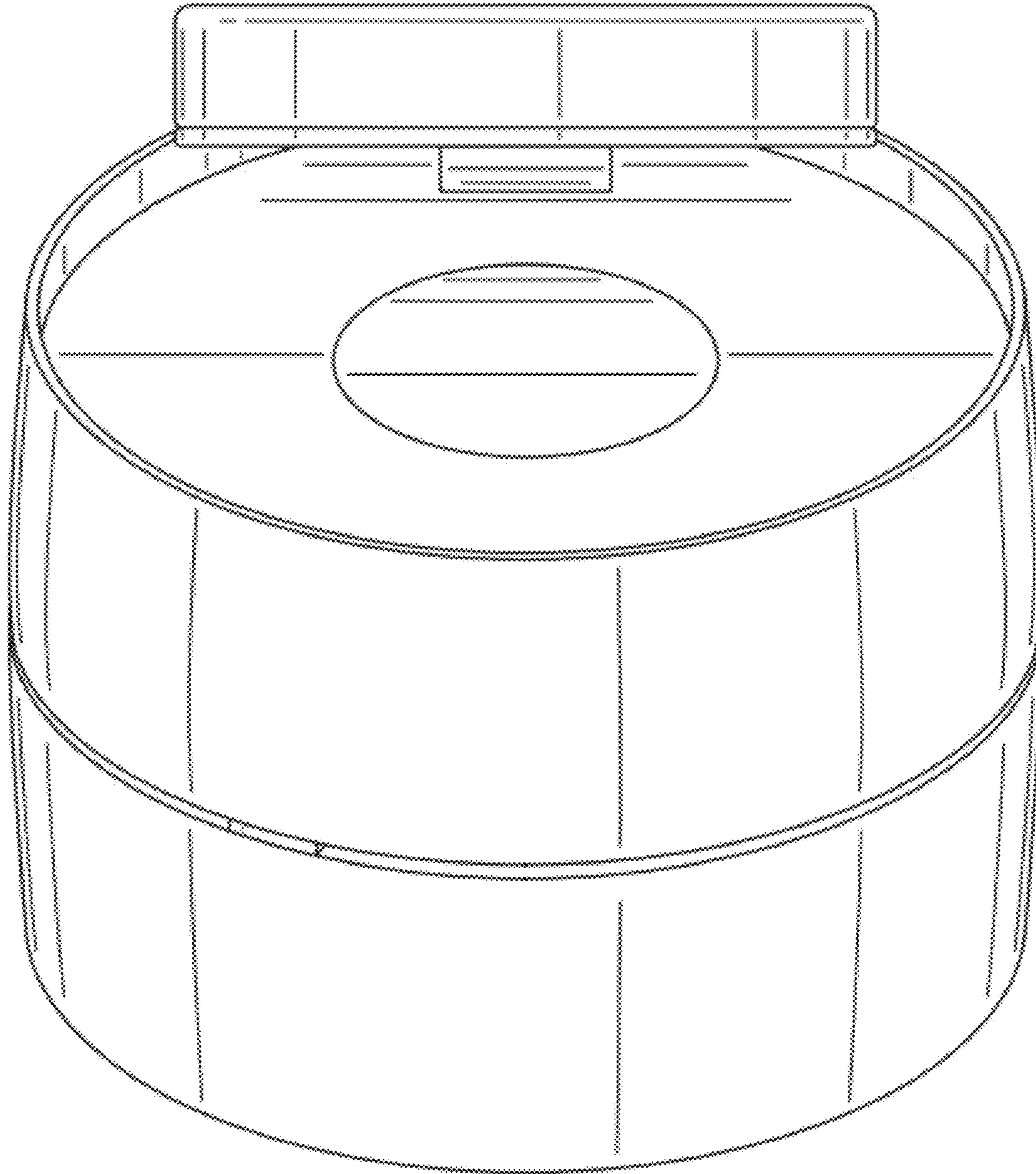


FIG. 4

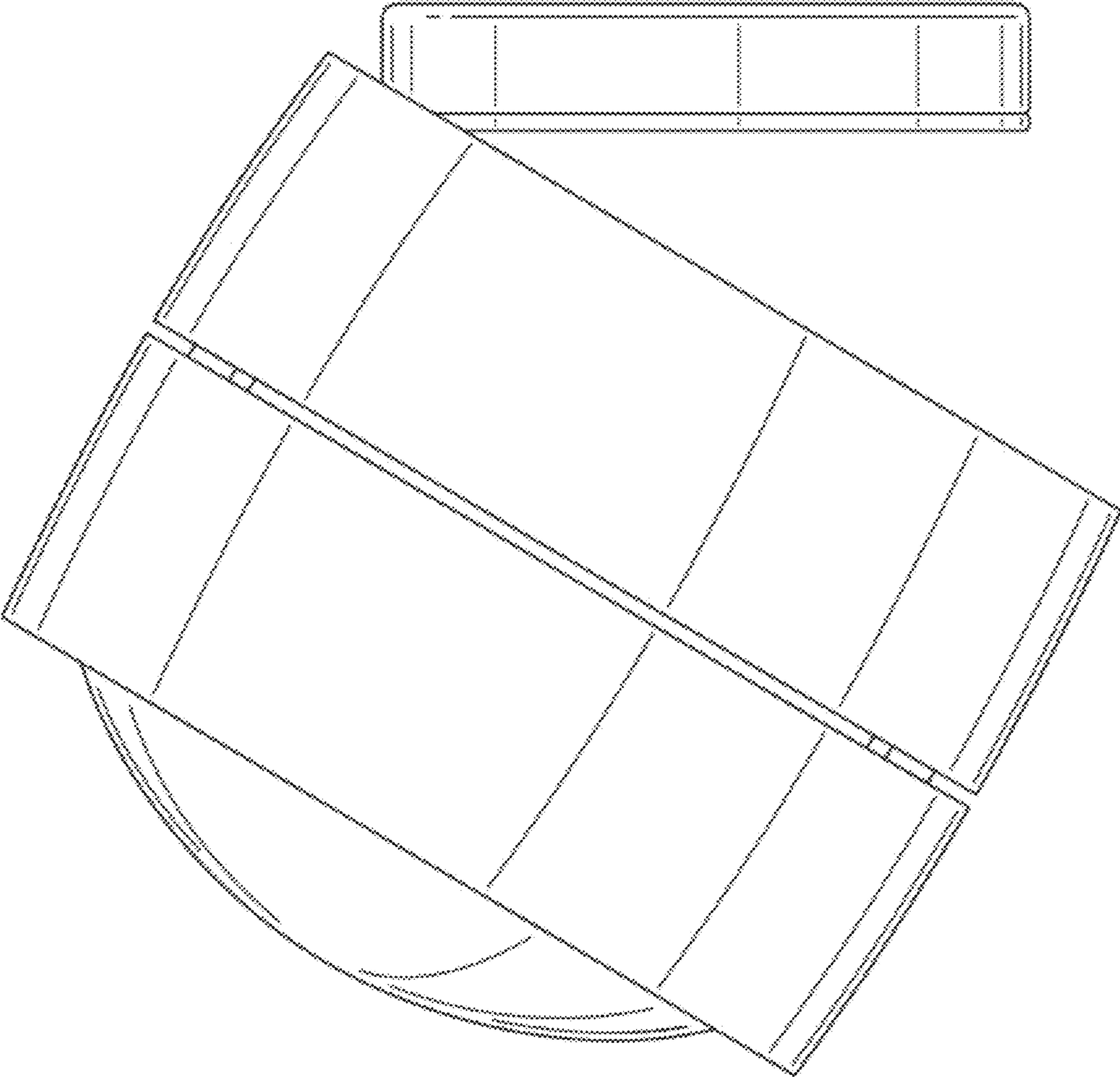


FIG. 5

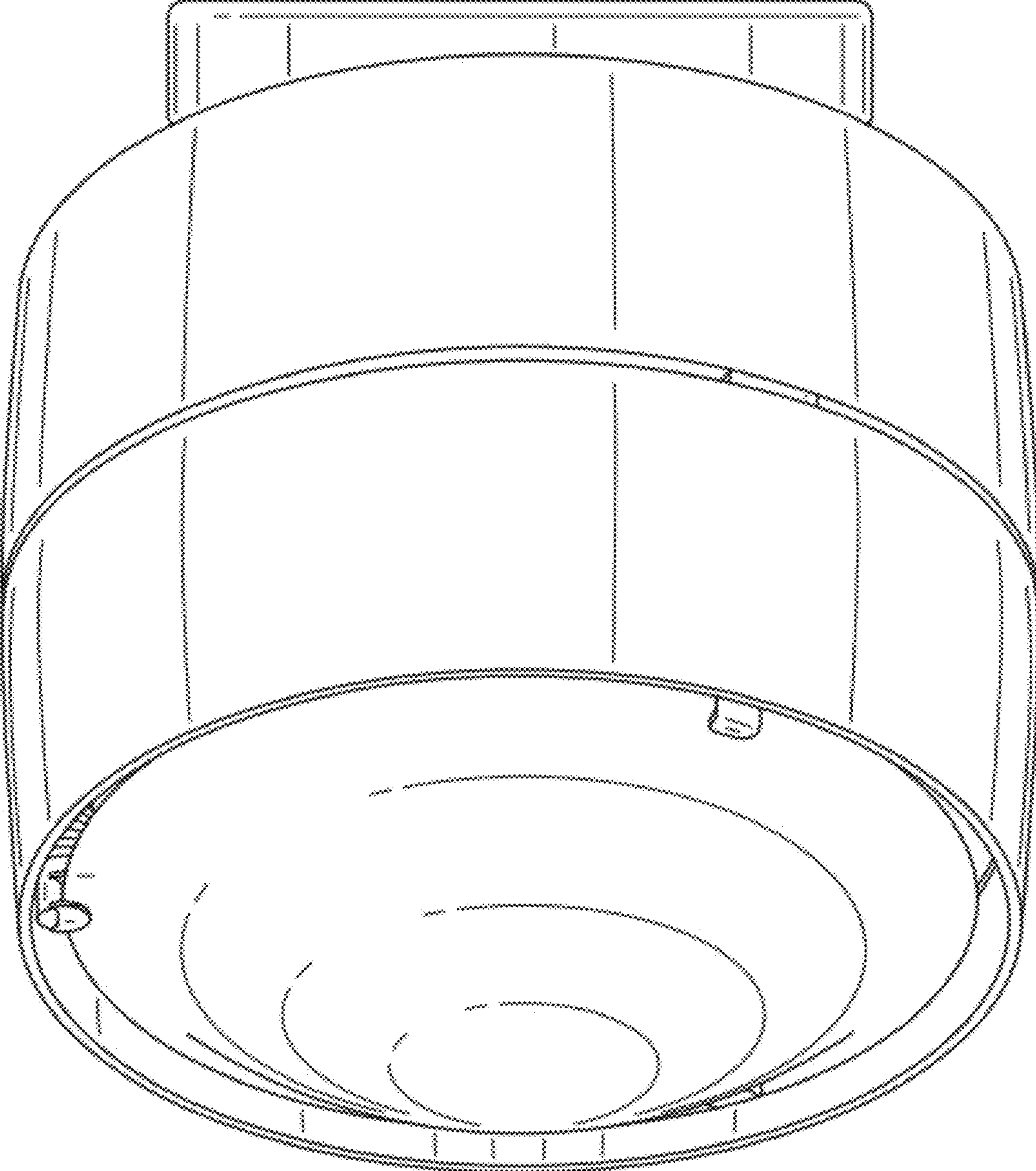


FIG. 6



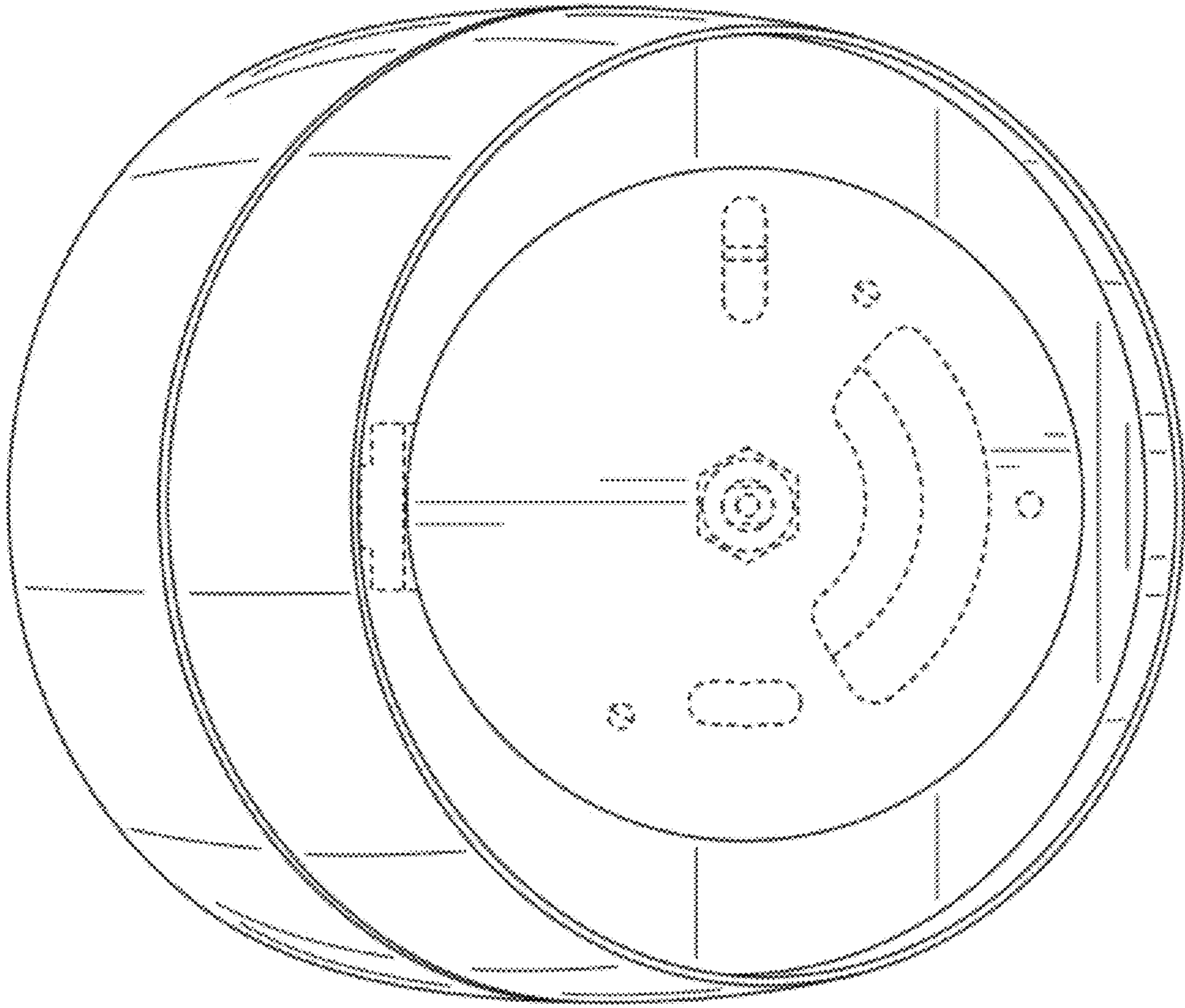


FIG. 7