



US00D664275S

(12) **United States Design Patent**
Gan

(10) **Patent No.:** **US D664,275 S**
(45) **Date of Patent:** **** Jul. 24, 2012**

(54) **CANDLE HOLDER**

(76) Inventor: **Daniel L. Gan**, Castro Valley, CA (US)

(**) Term: **14 Years**

(21) Appl. No.: **29/401,307**

(22) Filed: **Sep. 9, 2011**

(51) **LOC (9) Cl.** **26-01**

(52) **U.S. Cl.** **D26/22**

(58) **Field of Classification Search** D26/5-23,
D26/114-137; 431/289, 291, 292, 295, 350;
D7/598; D11/143; D9/500, 503-505, 432,
D9/516, 551

See application file for complete search history.

(56) **References Cited**

U.S. PATENT DOCUMENTS

D255,339	S	*	6/1980	Christian	D11/152
D264,004	S	*	4/1982	Swan	D26/23
4,909,393	A	*	3/1990	Palisin, Jr.	206/519
D320,744	S	*	10/1991	Palisin, Jr.	D9/429
D321,652	S	*	11/1991	Palisin, Jr.	D9/429
D322,032	S	*	12/1991	Palisin, Jr.	D9/429
D322,033	S	*	12/1991	Palisin et al.	D9/429
D386,047	S	*	11/1997	Jarvis	D7/531

* cited by examiner

Primary Examiner — T. Chase Nelson

Assistant Examiner — Ania Aman

(74) *Attorney, Agent, or Firm* — Brian Beverly; Beeson Skinner Beverly, LLP

(57) **CLAIM**

The ornamental design for a candle holder, as shown and described.

DESCRIPTION

FIG. 1 is a top perspective view of a candle holder showing my new design and showing a candle and wick inside the candle holder;

FIG. 2 is the same top perspective view thereof but with the candle and wick omitted;

FIG. 3 a front elevational view thereof, the rear elevational view being a mirror image thereof;

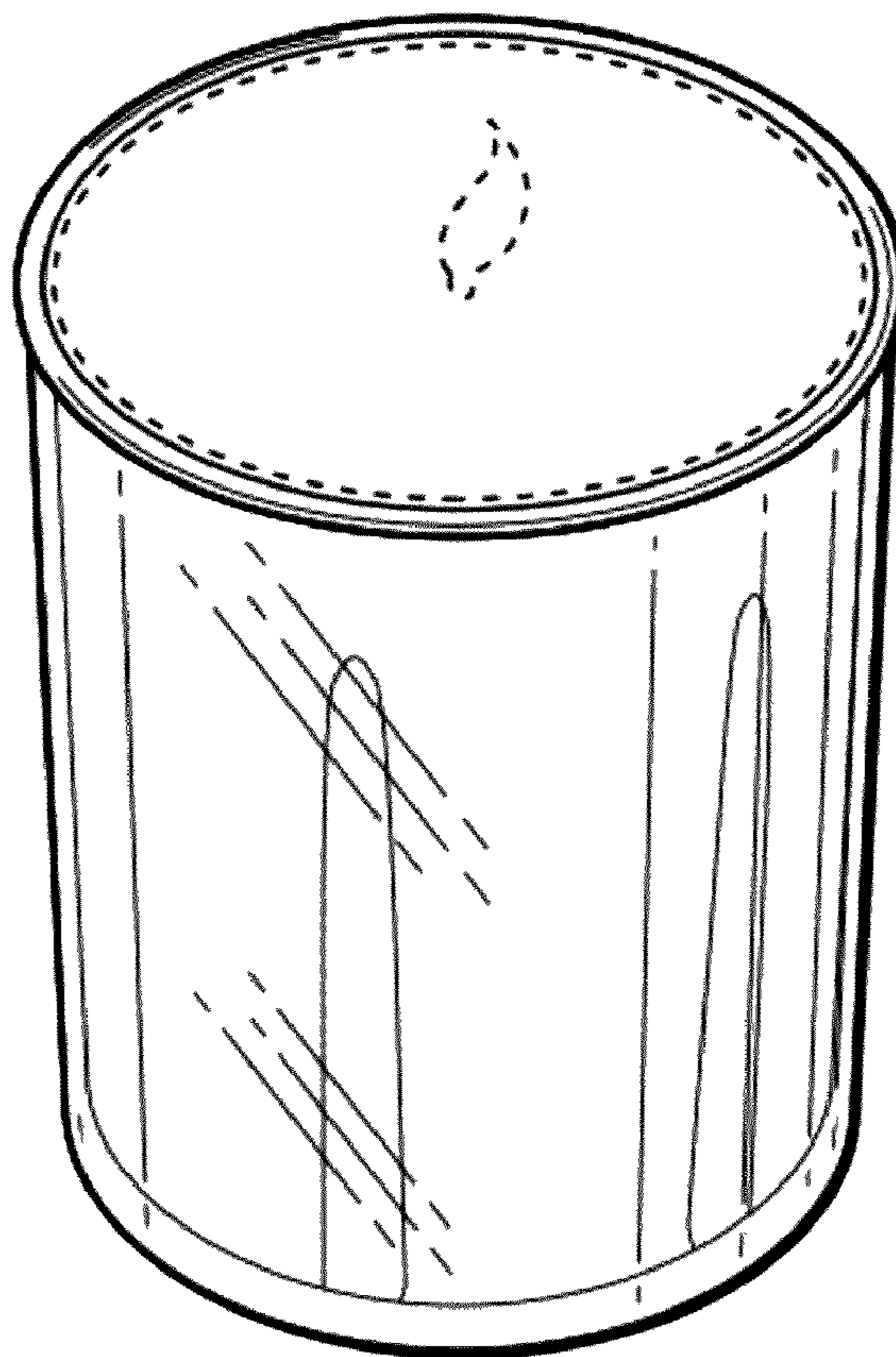
FIG. 4 is a right side view thereof, the left side elevational view being a mirror image thereof;

FIG. 5 is a top plan view thereof; and,

FIG. 6 is a bottom plan view thereof.

The broken lines showing a candle and wick in FIG. 1 are for illustrative purposes only and form no part of the claimed design.

1 Claim, 2 Drawing Sheets



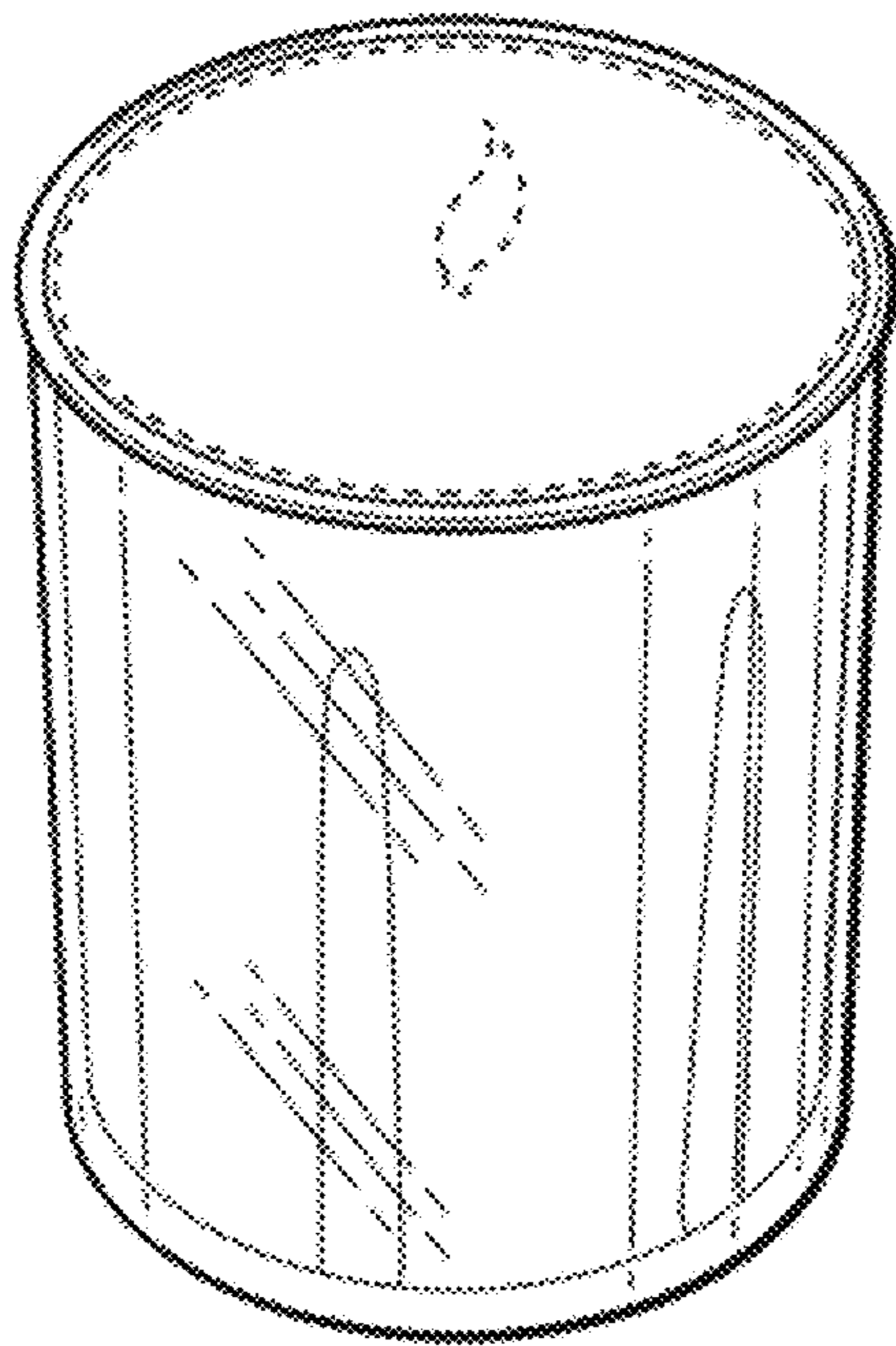


FIG. 1

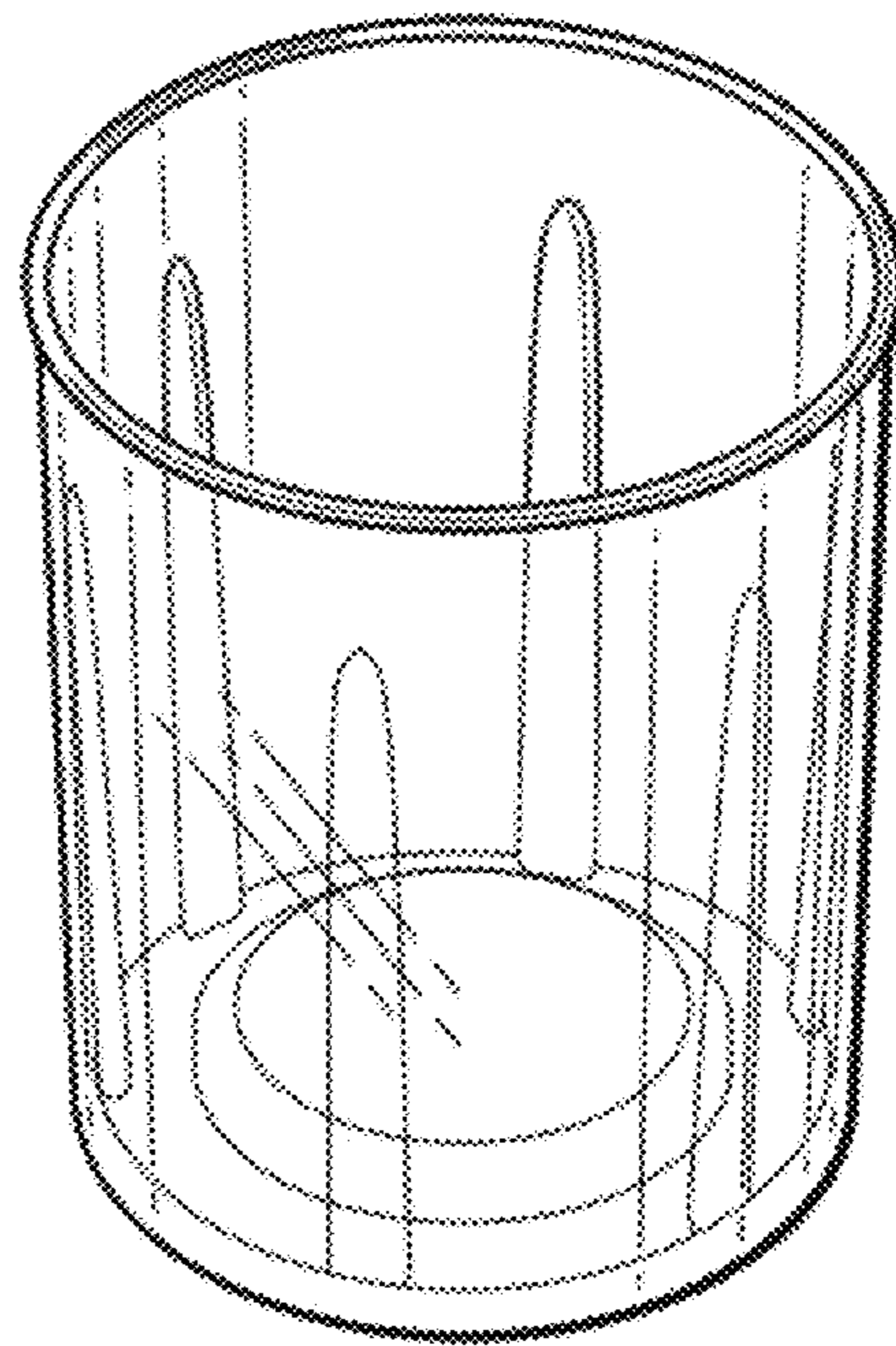


FIG. 2

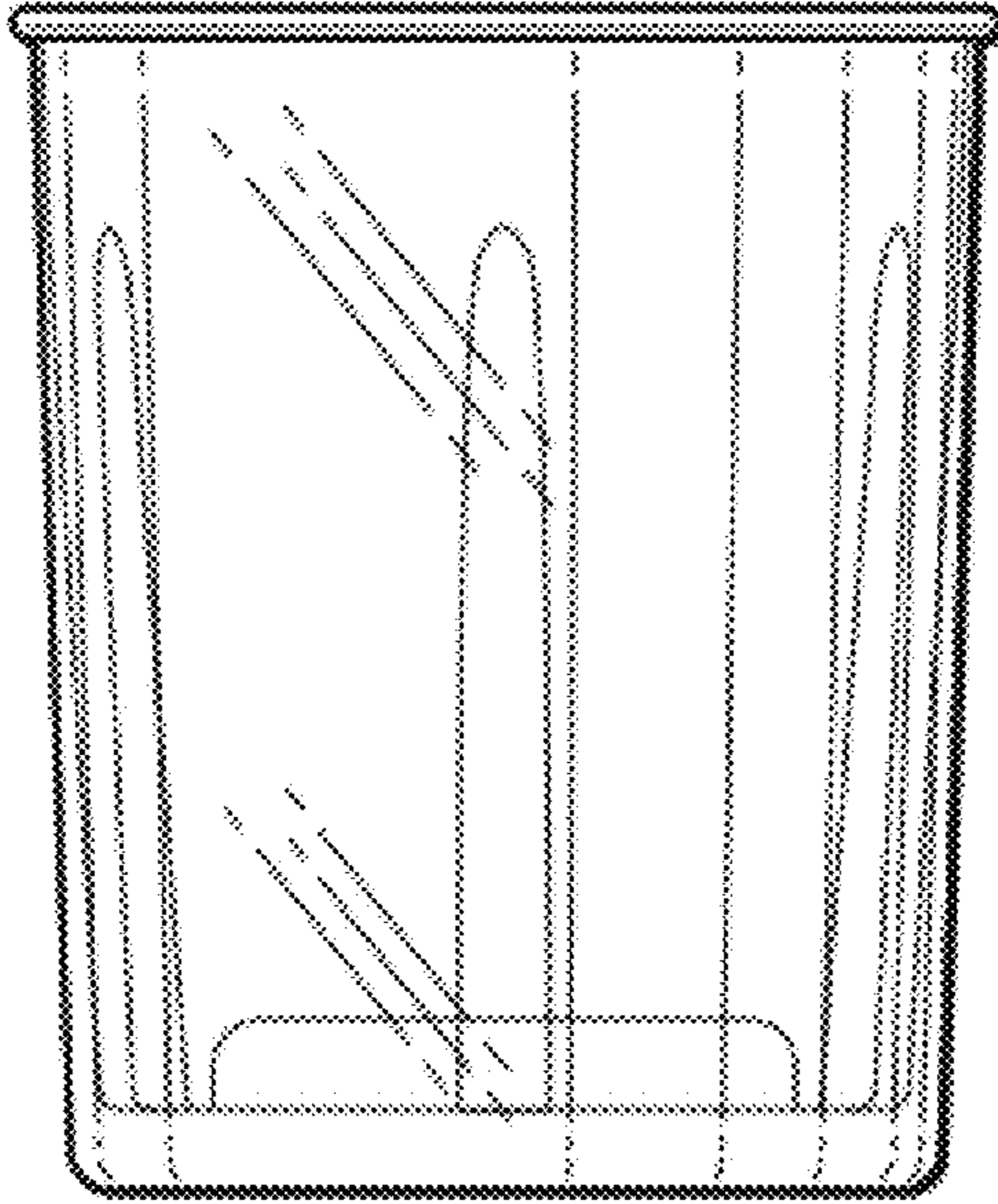


FIG. 3

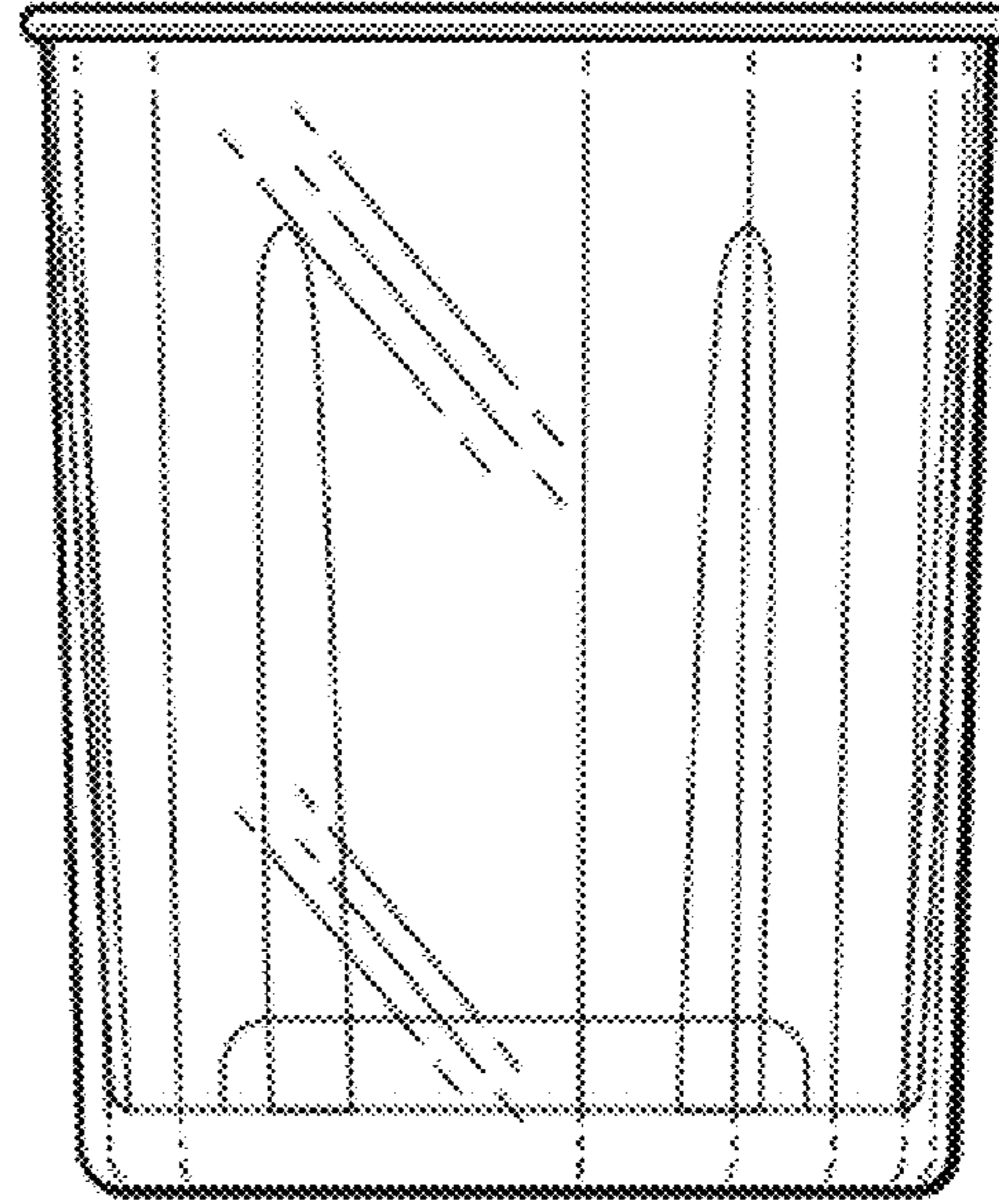


FIG. 4

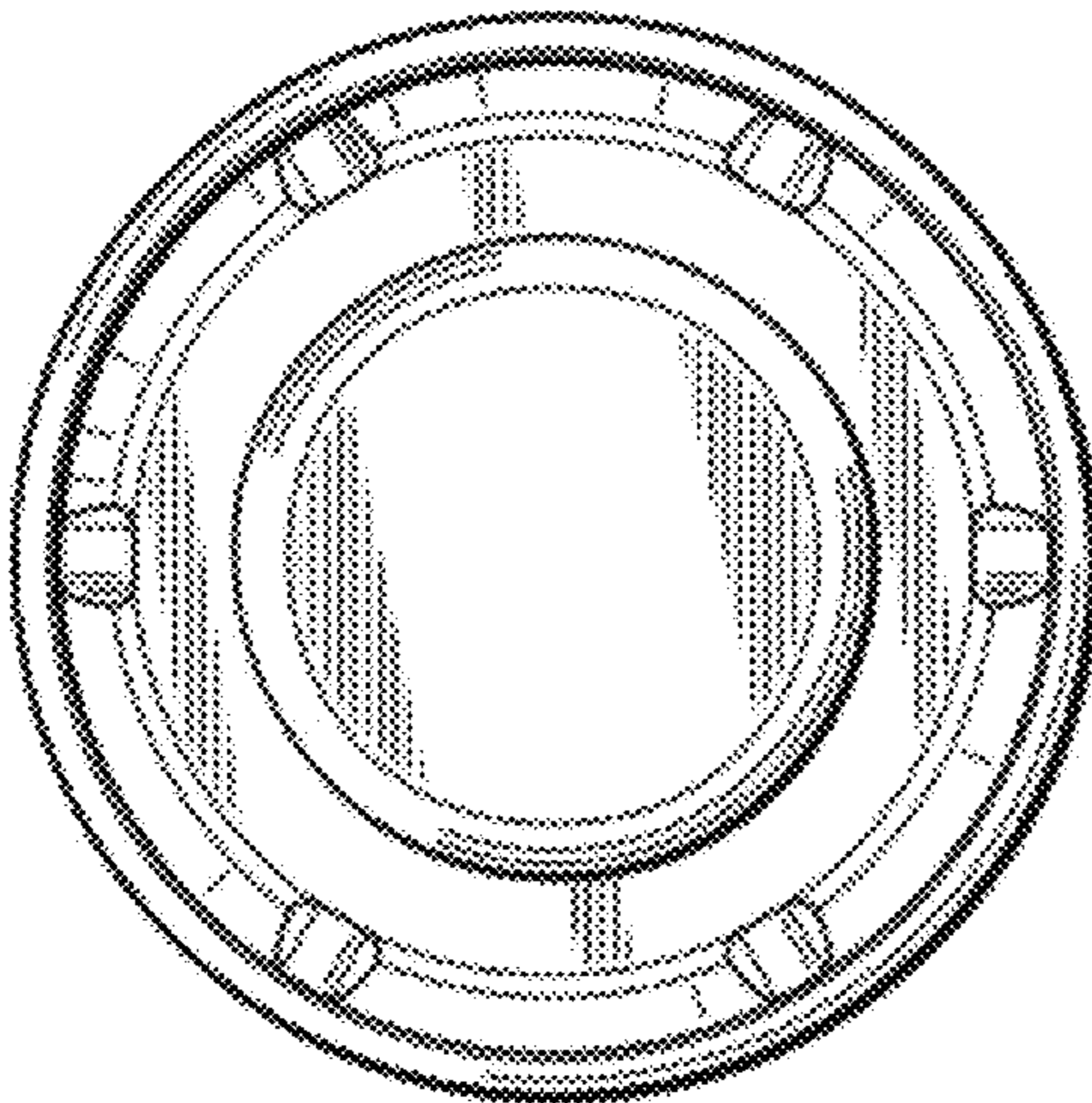


FIG. 5

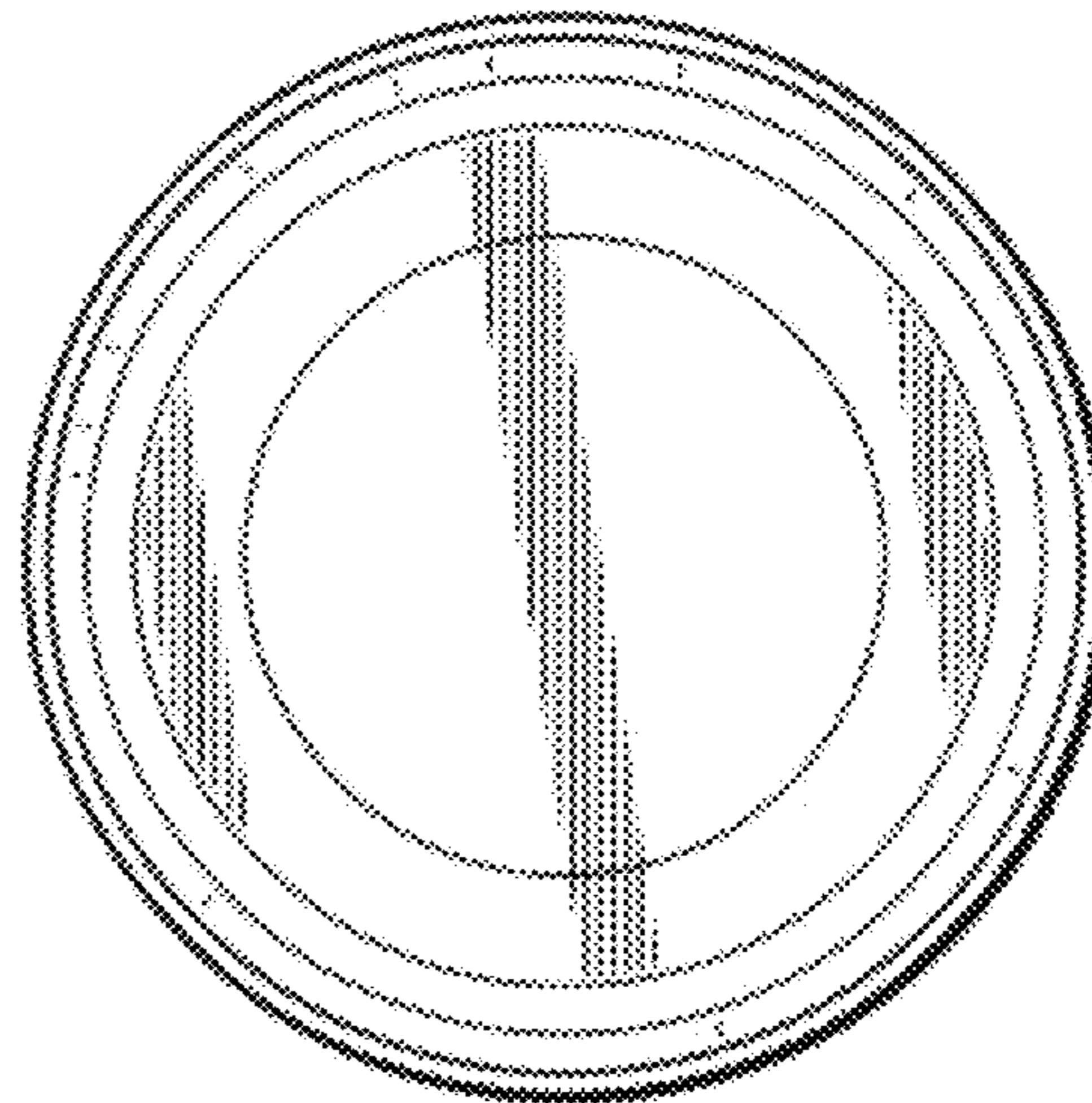


FIG. 6