



US00D664273S

(12) **United States Design Patent**
Lee

(10) **Patent No.:** **US D664,273 S**
(45) **Date of Patent:** **** Jul. 24, 2012**

(54) **LED LAMP**

(75) Inventor: **Geon-Gook Lee**, Gwangju (KR)

(73) Assignee: **Techwon Co., Ltd.** (KR)

(**) Term: **14 Years**

(21) Appl. No.: **29/399,297**

(22) Filed: **Aug. 11, 2011**

(30) **Foreign Application Priority Data**

Mar. 4, 2011 (KR) 30-2011-0008848

(51) **LOC (9) Cl.** **26-04**

(52) **U.S. Cl.** **D26/2**

(58) **Field of Classification Search** D26/1-4;
313/313, 315, 316, 317, 318, 493; 315/52,
315/53, 56, 57, 58

See application file for complete search history.

(56) **References Cited**

U.S. PATENT DOCUMENTS

D494,688 S * 8/2004 Van de Ven et al. D26/2
D542,426 S * 5/2007 Itaya et al. D26/2
D581,556 S * 11/2008 To et al. D26/2

D627,904 S * 11/2010 Jiang D26/2
D629,534 S * 12/2010 Song D26/2
D634,451 S * 3/2011 de Visser D26/2

* cited by examiner

Primary Examiner — Marcus Jackson

(74) *Attorney, Agent, or Firm* — Cantor Colburn LLP

(57) **CLAIM**

The ornamental design for a LED lamp, as shown and described.

DESCRIPTION

FIG. 1 is a perspective view of a LED lamp showing my new design;

FIG. 2 is a front view thereof;

FIG. 3 is a rear view thereof;

FIG. 4 is a left side view thereof;

FIG. 5 is a right side view thereof;

FIG. 6 is a top plan view thereof;

FIG. 7 is a bottom plan view thereof; and,

FIG. 8 is a reference perspective view showing use of the LED lamp.

The broken lines are shown for illustrative purposes only and form no part of the claimed design.

1 Claim, 7 Drawing Sheets

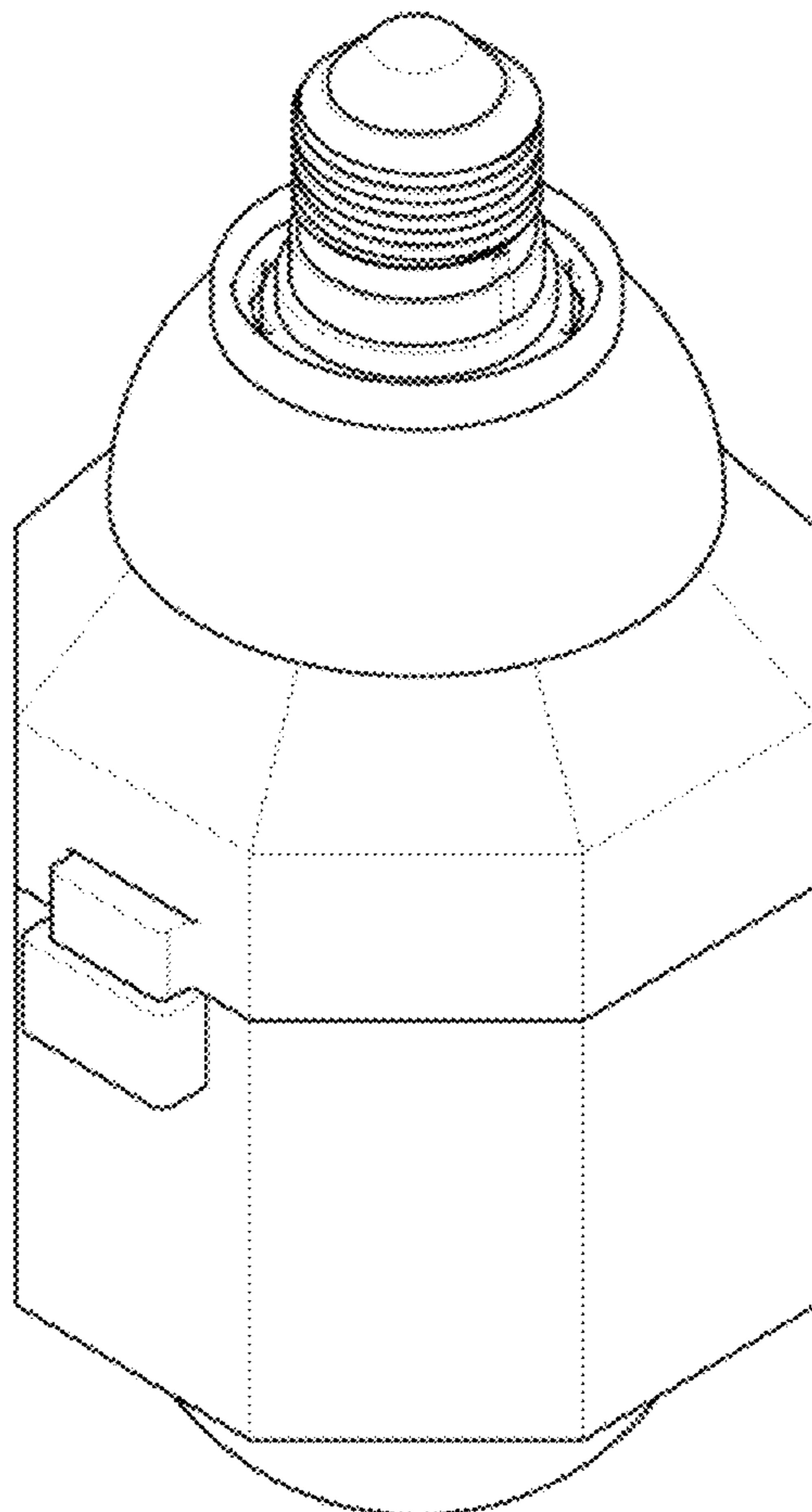


FIG. 1

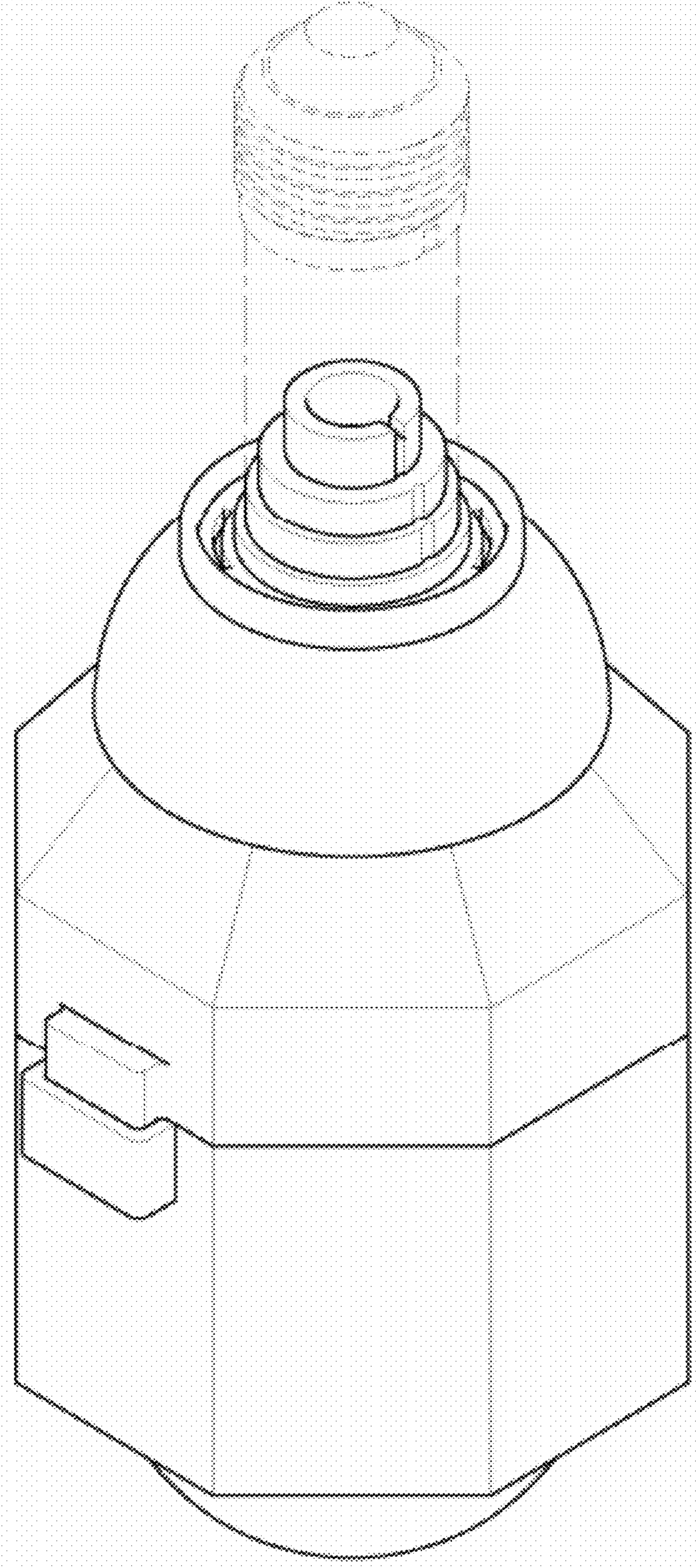


FIG. 2

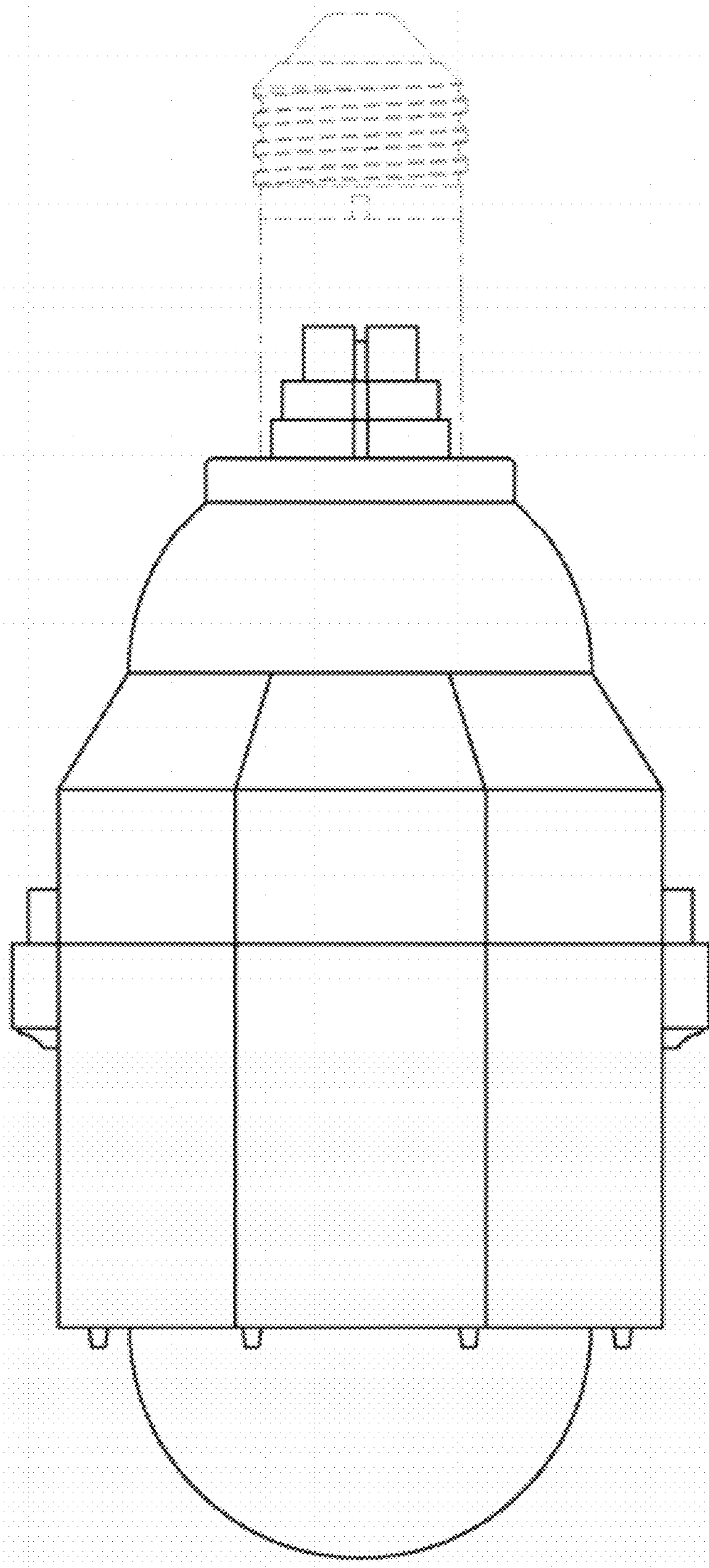


FIG. 3

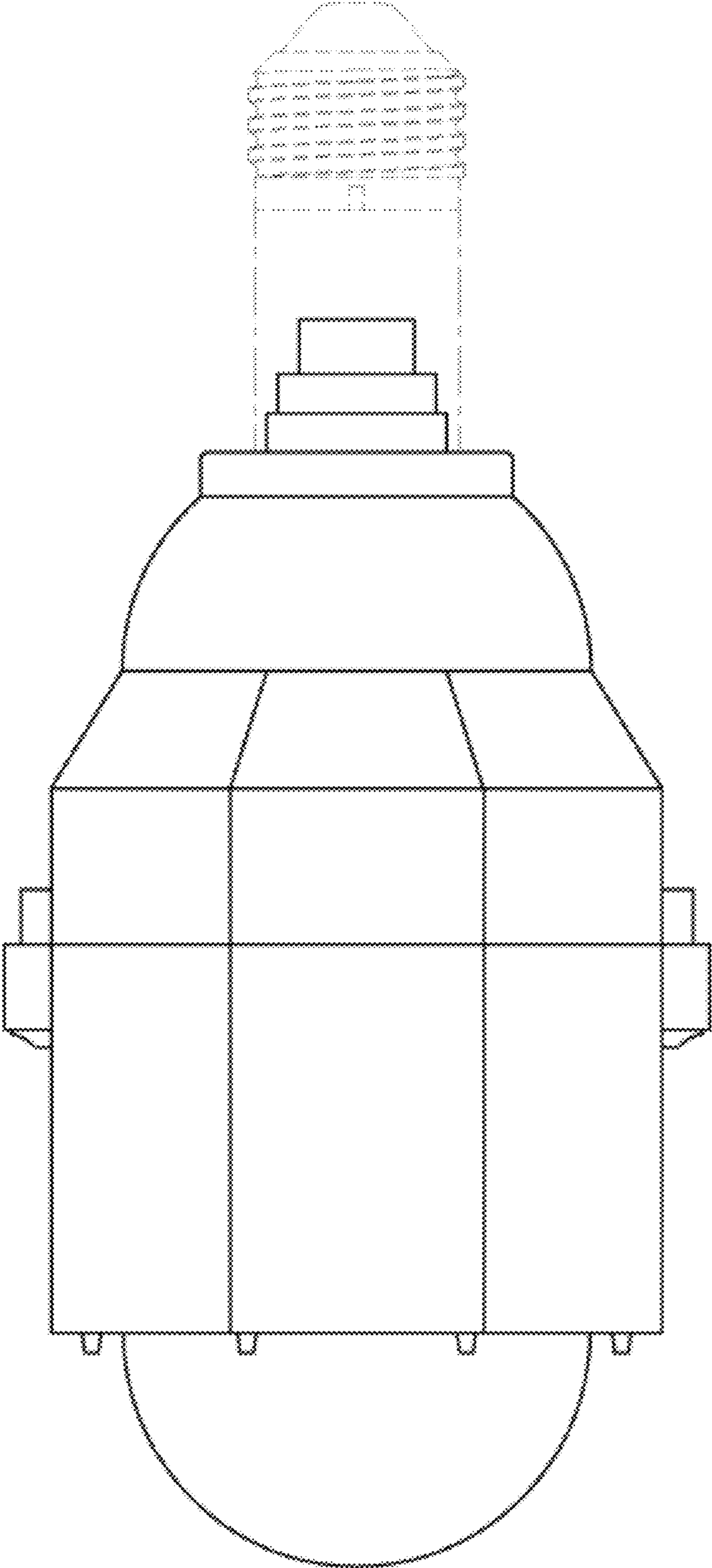


FIG. 4

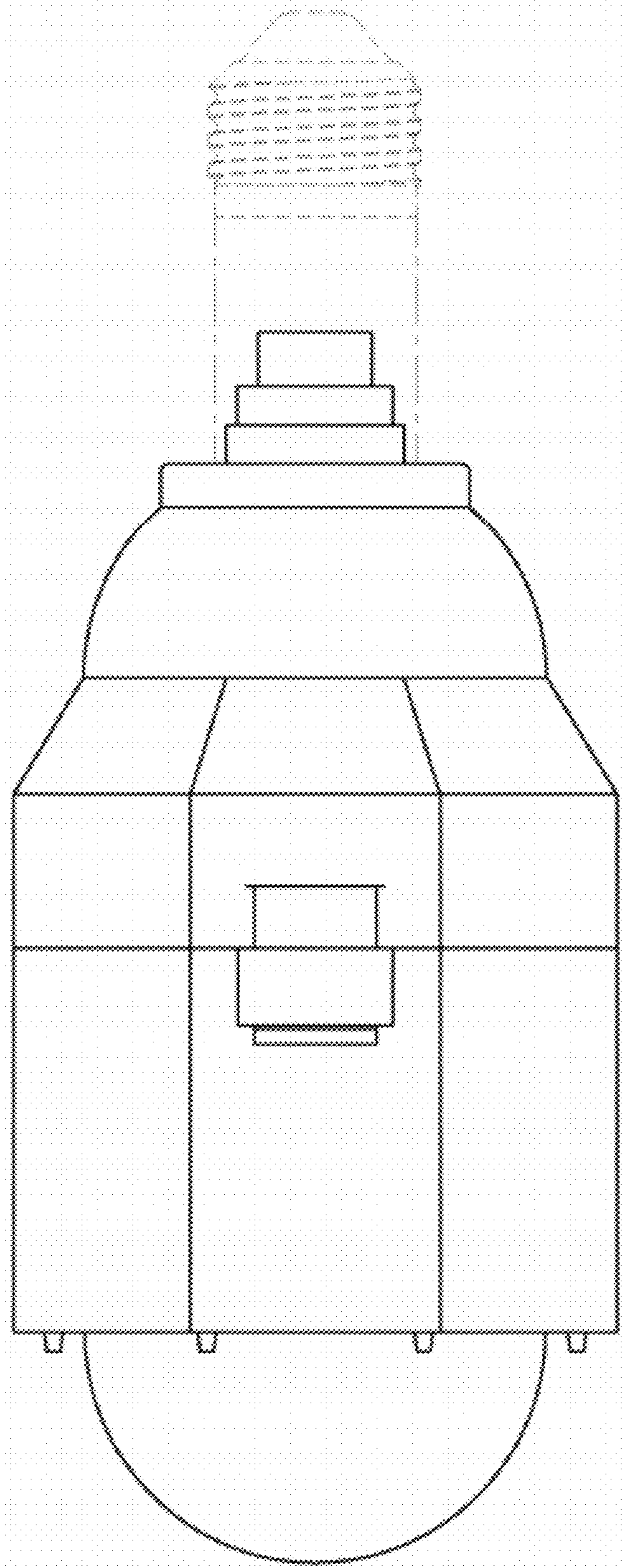


FIG. 5

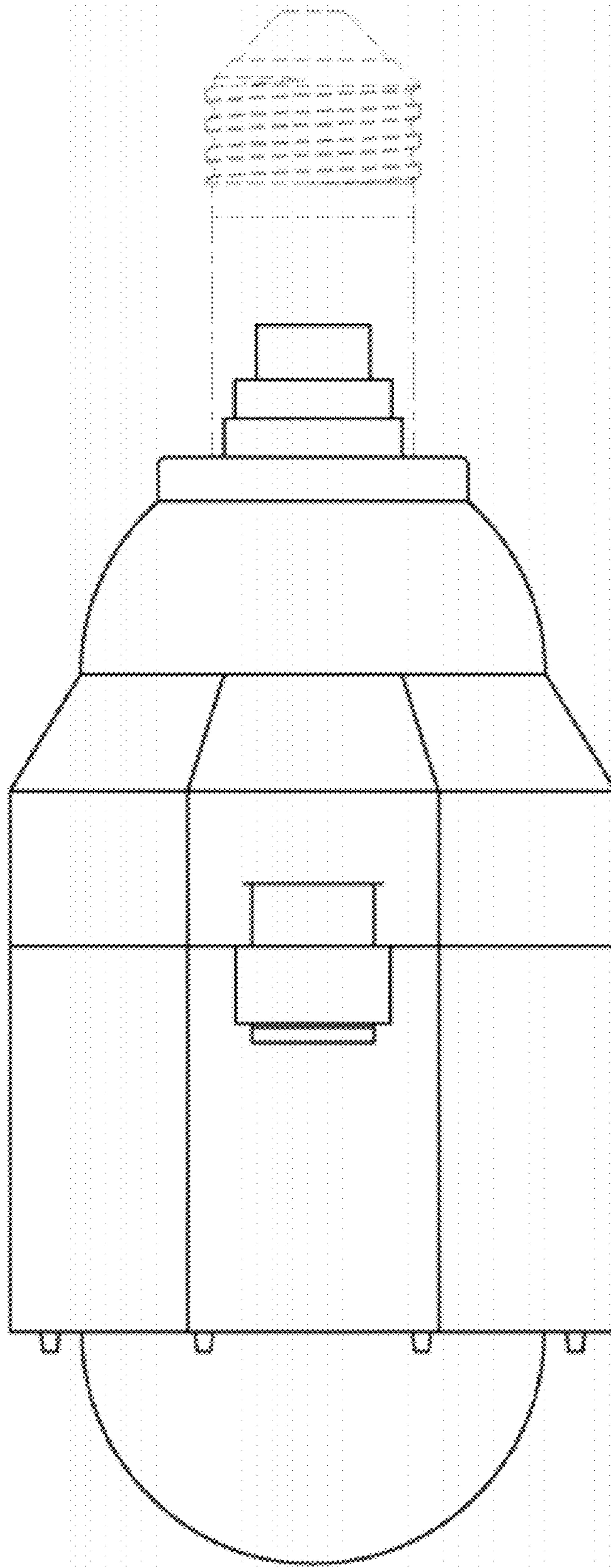


FIG. 6

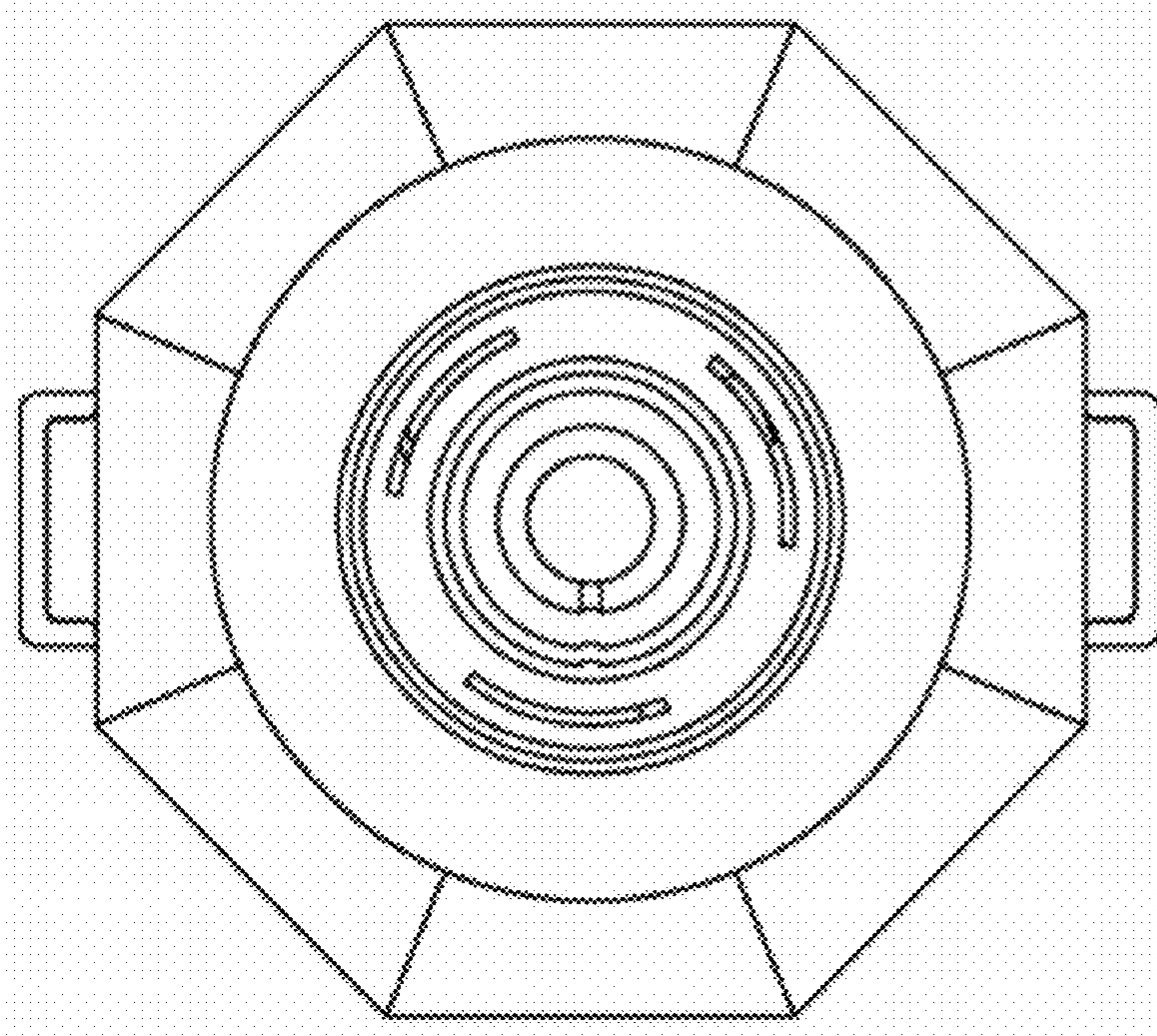


FIG. 7

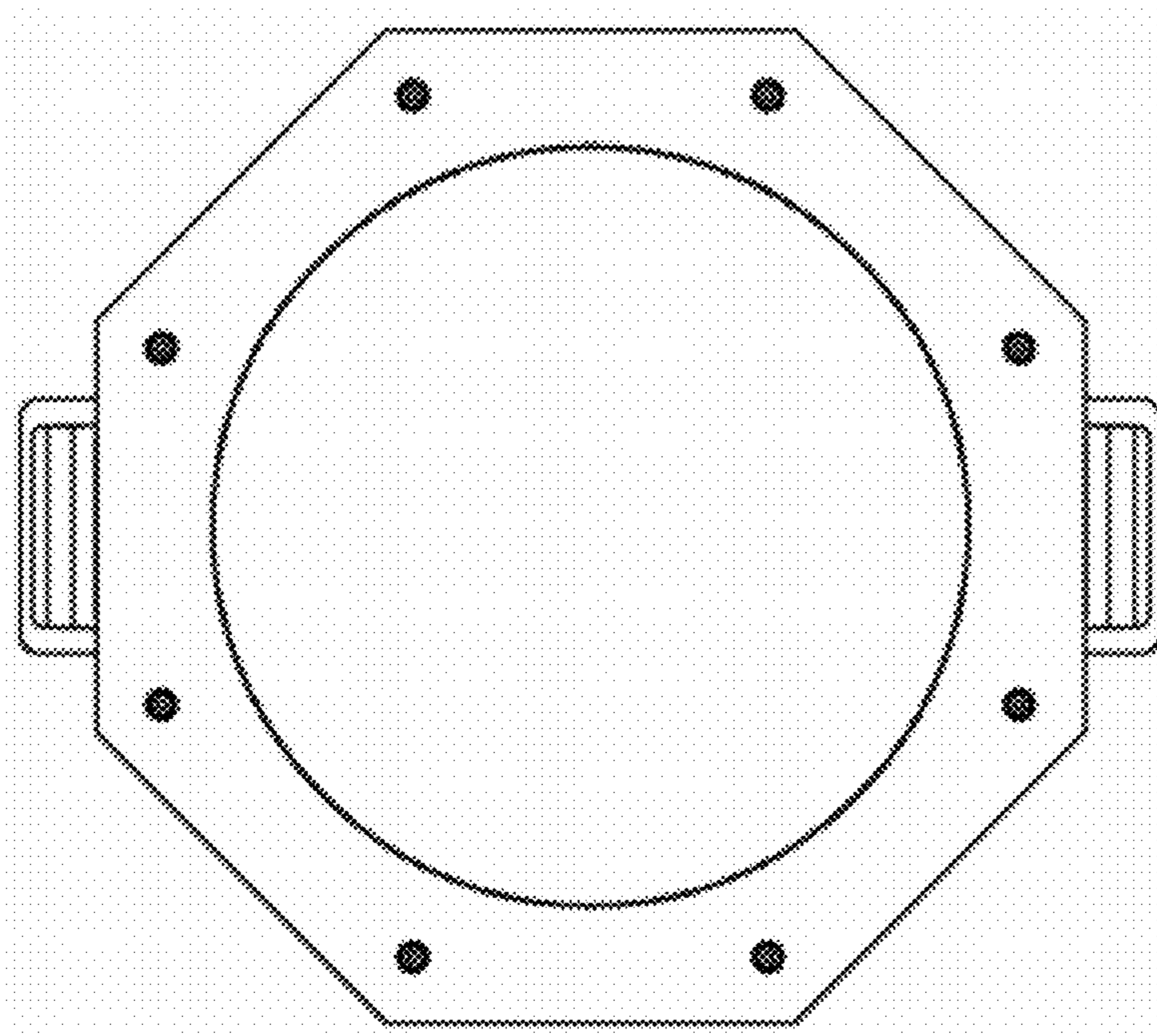


FIG. 8

